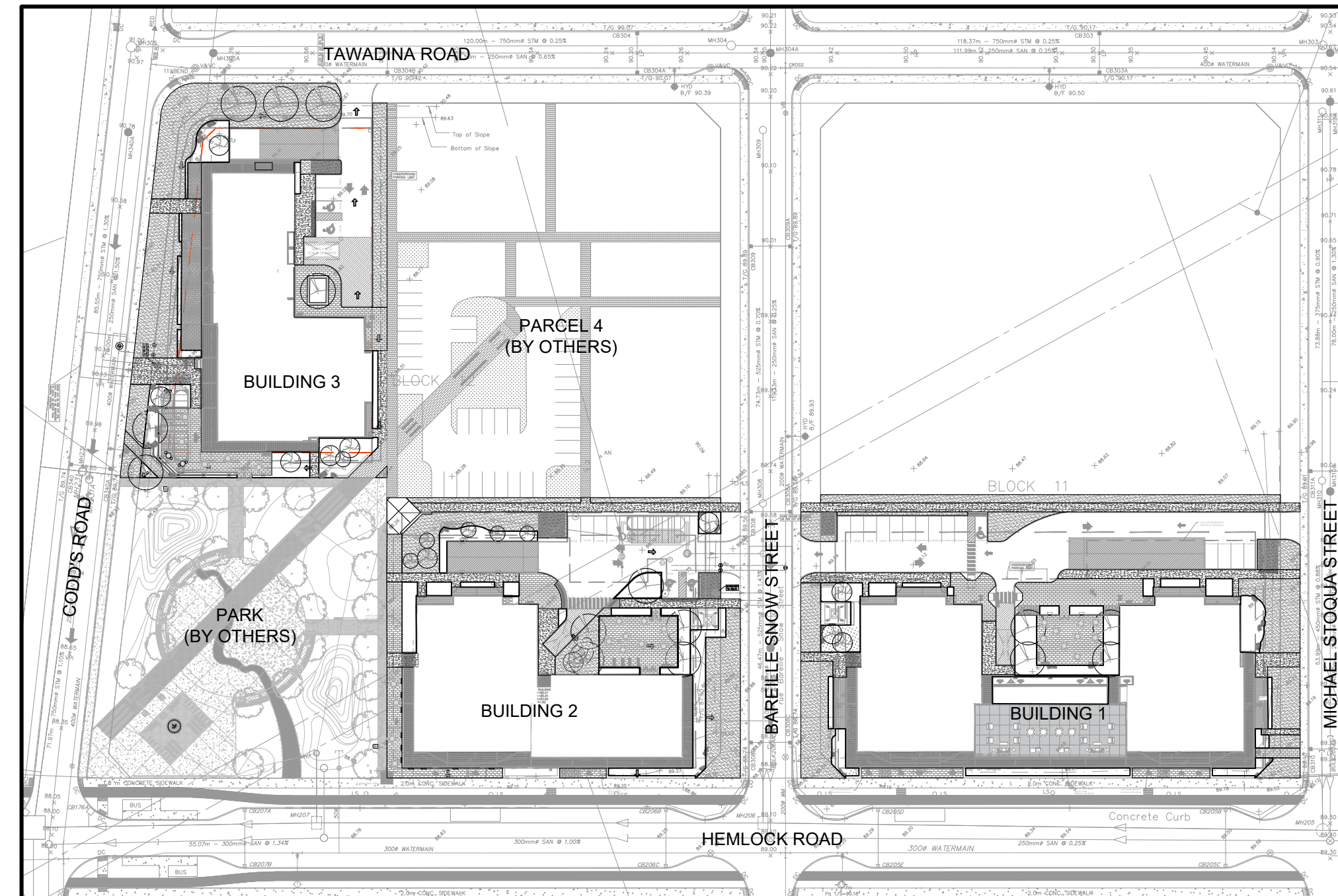


WATERIDGE APARTMENT BUILDINGS

BAYVIEW GROUP



ISSUED FOR SPA SUBMISSION

MAY 16th, 2023

PRELIMINARY
FOR INFORMATION ONLY
2023-05-16

LANDSCAPE PLAN

221-04473-00

NOT FOR CONSTRUCTION



2511 QUEENSWAY DRIVE, SUITE 300
OTTAWA, ONTARIO
CANADA K2B 8K2
PHONE: 613-829-2800
WWW.WSP.COM

CONSULTANT:
SEAL:

CLIENT:
BAYVIEW GROUP

CLIENT REF. # --
PROJECT:
WATERIDGE APARTMENT BUILDINGS
1000/1050 TAWADINA ROAD
WATERIDGE VILLAGE,
OTTAWA, ON

KEY PLAN:

DISCLAIMER:
THIS DRAWING AND DESIGN IS COPYRIGHT PROTECTED WHICH SHALL NOT BE USED, REPRODUCED OR
RESIZED WITHOUT WRITTEN PERMISSION BY WSP. THE CONTRACTOR SHALL CHECK AND VERIFY ALL
DIMENSIONS AND UTILITY LOCATIONS AND REPORT ALL ERRORS AND OMISSIONS PRIOR TO
COMMENCING WORK.
THIS DRAWING IS NOT TO BE SCALED.

ISSUED FOR - REVISION	NO.	DATE	DESCRIPTION
	9	2023.05.16	ISSUED FOR SPA SUBMISSION
	8	2023.05.03	ISSUED FOR COORDINATION
	7	2023.03.24	ISSUED FOR COORDINATION
	6	2023.03.16	ISSUED FOR COORDINATION
	5	2023.03.09	ISSUED FOR COORDINATION
	4	2023.03.08	ISSUED FOR COORDINATION
	3	2023.03.06	ISSUED FOR COORDINATION
	2	2023.03.02	ISSUED FOR COORDINATION
	1	2022.05.24	ISSUED FOR GLC REVIEW

IS	RE	DATE	DESCRIPTION

PROJECT NO:
221-004473-00

DATE:
MAY 2023

ORIGINAL SCALE:
1:200

DESIGNED BY:
LS/AP

DRAWN BY:
AP

CHECKED BY:
AG

DISCIPLINE:
LANDSCAPE ARCHITECTURE

TITLE:
**LANDSCAPE PLAN
BUILDING 1**

SHEET NUMBER: L300

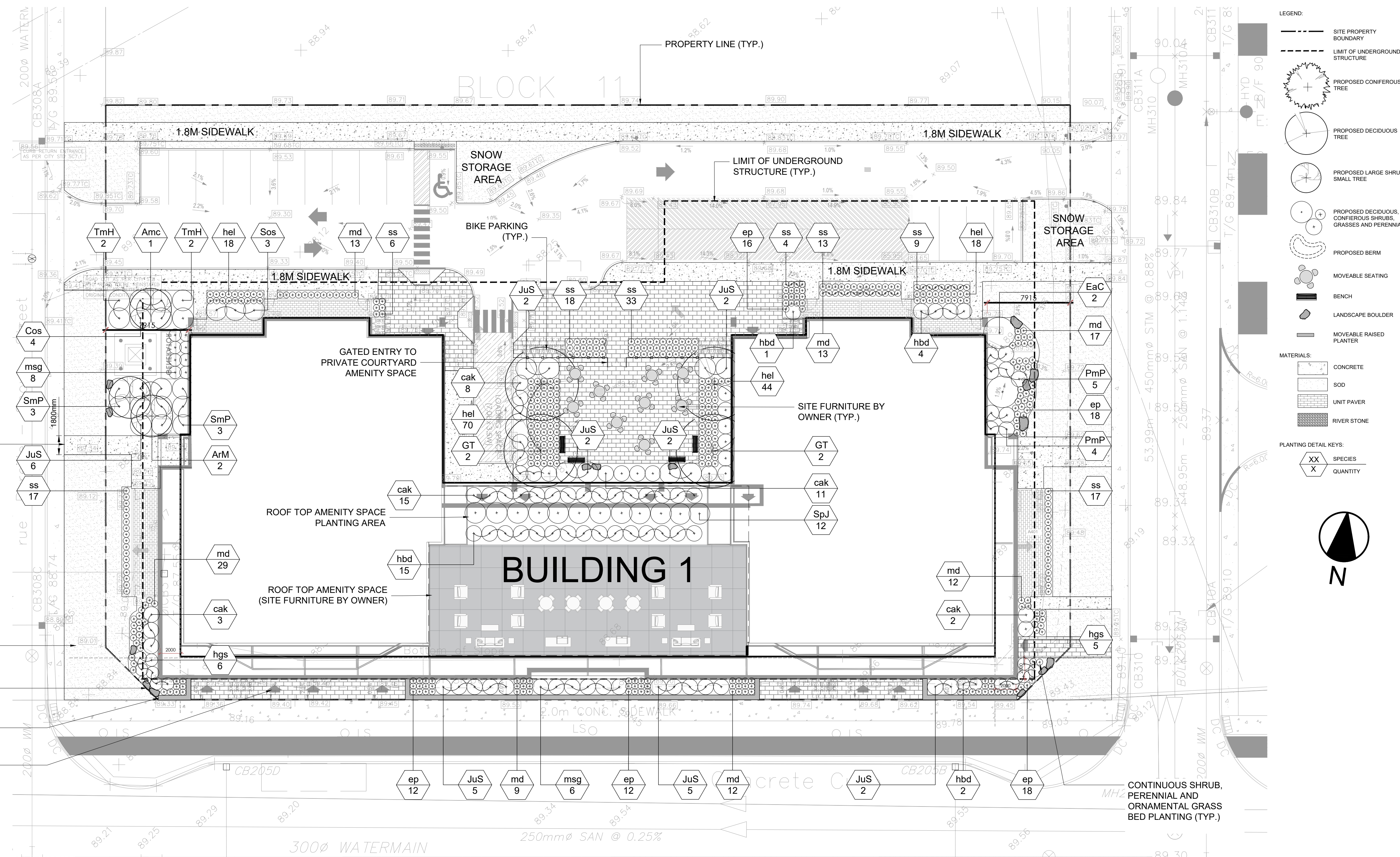
SHEET # OF

ISSUE: --

REV #

DATE OF: --

9



KEY	QUANT.	BOTANICAL NAME	COMMON NAME	SIZE	HEIGHT	DISTANCE CENTRE TO	COND.
DECIDUOUS TREES							
GT	4	<i>Cleditsa Triacanthos 'Shademaster'</i>	Shademaster Honeylocust	50mm Cal.	20m	AS SHOWN	WB
DECIDUOUS SHRUBS							
AmC	1	<i>Amelanchier canadensis</i>	Service Berry	-	125 cm	2m	B&B
ArM	2	<i>Aronia melanocarpa</i>	Native Chokeberry	-	60 cm	1.5m	POTTED
CoS	4	<i>Cornus sericea</i>	Red Osier Dogwood	-	60 cm	1.2m	POTTED
EaC	2	<i>Evonymus alatus 'Compactus'</i>	Dwarf Burning Bush	-	3m	1.5m	WB
SoS	3	<i>Sorbaria Sorbifolia</i>	False Spirea	-	2m	1.5m	POTTED
SpJ	12	<i>Spiraea Japonica 'Little Princess'</i>	Little Princess Spirea	-	60 cm	1m	POTTED
SmP	6	<i>Syringa meyeri 'Palibin'</i>	Dwarf Korean Lilac	-	125cm	0.75m	3 GAL POT
CONIFEROUS SHRUBS							
TmH	4	<i>Taxus x media 'Hicksii'</i>	Hicks Yew	-	40cm	1.2m	POTTED
JuS	26	<i>Juniperus sabina</i>	Savin Juniper	-	40cm	1.2m	POTTED
PmP	9	<i>Pinus mugo var. pumilio</i>	Dwarf Mugo Pine	-	150cm	1.5m	POTTED
PERENNIALS, ORNAMENTAL GRASSES AND GROUNDCOVERS							
cak	39	<i>Calamagrostis acutiflora 'Karl Foerster'</i>	Karl Foerster	-	150cm	0.8m	10 cm diam pot.
ep	76	<i>Echinacea purpurea</i>	Purple Coneflower	-	120cm	0.6m	1 GAL POT
hel	150	<i>Helianthus scaberrimus</i>	Common Daylily	-	65cm	0.75m	1 GAL POT
msg	14	<i>Miscanthus Sinensis 'Gracillimus'</i>	Maiden Grass	-	200cm	1.25m	10 cm diam pot.
md	105	<i>Monarda didyma 'Gardenview Scarlet'</i>	Bee Balm	-	1m	0.7m	1 GAL POT
hbd	22	<i>Hosta 'Big Daddy'</i>	Big Daddy Hosta	-	65cm	1.5m	1 GAL POT
hgs	11	<i>Hosta 'Gold Standard'</i>	Gold Standard Hosta	-	60m	1.5m	1 GAL POT
ss	117	<i>Schizachyrium scoparium</i>	Little Bluestem	-	125cm	0.35m	1 GAL POT

CONSULTANT:

SEAL:

CLIENT:

BAYVIEW GROUP

CLIENT REF. #

PROJECT:

WATERIDGE APARTMENT BUILDINGS
1000/1050 TAWADINA ROAD
WATERIDGE VILLAGE,
OTTAWA, ON

KEY PLAN:

DISCLAIMER: THIS DRAWING AND DESIGN IS COPYRIGHT PROTECTED WHICH SHALL NOT BE USED, REPRODUCED OR PRESENTED WITHOUT WRITTEN PERMISSION BY WSP. THE CONTRACTOR SHALL CHECK AND VERIFY ALL DIMENSIONS AND UTILITY LOCATIONS AND REPORT ALL ERRORS AND OMISSIONS PRIOR TO COMMENCING WORK. THIS DRAWING IS NOT TO BE SCALED.

ISSUED FOR - REVISION:

NO.	DATE	DESCRIPTION
9	2023.05.16	ISSUED FOR SPA SUBMISSION
8	2023.05.03	ISSUED FOR COORDINATION
7	2023.03.24	ISSUED FOR COORDINATION
6	2023.03.16	ISSUED FOR COORDINATION
5	2023.03.09	ISSUED FOR COORDINATION
4	2023.03.08	ISSUED FOR COORDINATION
3	2023.03.06	ISSUED FOR COORDINATION
2	2023.03.02	ISSUED FOR COORDINATION
1	2022.05.24	ISSUED FOR GLC REVIEW

PROJECT NO. DATE

221-004473-00 -- MAY 2023

ORIGINAL SCALE:

1:200

DESIGNED BY:

LS/AP

DRAWN BY:

AP

CHECKED BY:

AG

DISCIPLINE: LANDSCAPE ARCHITECTURE

TITLE:

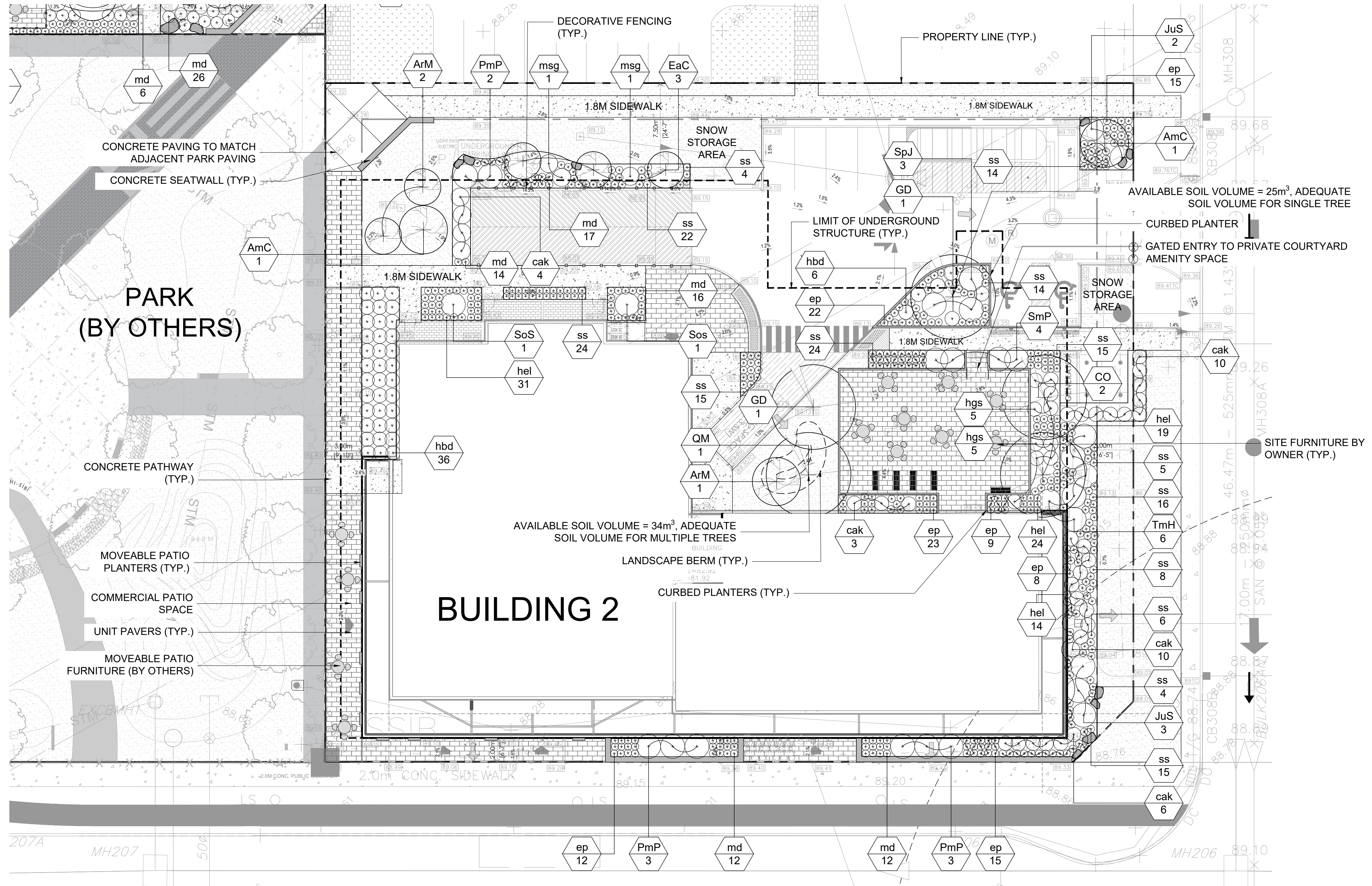
LANDSCAPE PLAN BUILDING 2

SHEET NUMBER: L301

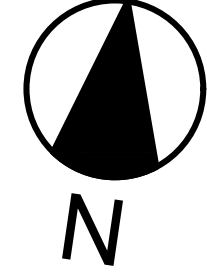
SHEET # OF

ISSUE: -- REV #

DATE OF: -- 9



- LEGEND:
- SITE PROPERTY BOUNDARY
 - LIMIT OF UNDERGROUND STRUCTURE
 - PROPOSED CONIFEROUS TREE
 - PROPOSED DECIDUOUS TREE
 - PROPOSED LARGE SHRUB/ SMALL TREE
 - PROPOSED DECIDUOUS, CONIFEROUS SHRUBS, GRASSES AND PERENNIALS
 - PROPOSED BERM
 - MOVEABLE SEATING
 - BENCH
 - LANDSCAPE BOULDER
 - MOVEABLE RAISED PLANTER
- MATERIALS:
- CONCRETE
 - SOD
 - UNIT PAVER
 - RIVER STONE
- PLANTING DETAIL KEYS:
- XX SPECIES
 - X QUANTITY



PLANT LIST - BUILDING 2						
KEY	QUANT.	BOTANICAL NAME	COMMON NAME	SIZE	HEIGHT	DISTANCE CENTRE TO COND.
DECIDUOUS TREES						
CO	2	<i>Celtis occidentalis</i>	Hackberry	50mm Cal.	18m	AS SHOWN WB
GD	2	<i>Gymnocladus dioica</i>	Kentucky Coffee Tree	50mm Cal.	20m	AS SHOWN WB
QM	1	<i>Quercus macrocarpa</i>	Burr Oak	50mm Cal.	22m	AS SHOWN WB
DECIDUOUS SHRUBS						
AmC	2	<i>Amelanchier canadensis</i>	Service Berry	-	125 cm	2m B&B
ArM	3	<i>Aronia melanocarpa</i>	Native Chokeberry	-	60 cm	1.5m POTTED
EaC	3	<i>Euonymus alatus 'Compactus'</i>	Dwarf Burning Bush	-	3m	1.5m WB
SoS	2	<i>Sorbaria Sorbifolia</i>	False Spirea	-	2m	1.5m POTTED
SpJ	3	<i>Spiraea Japonica 'Little Princess'</i>	Little Princess Spirea	-	60 cm	1m POTTED
SmP	4	<i>Syringa meyeri 'Palibin'</i>	Dwarf Korean Lilac	-	125cm	0.75m 3 GAL. POT
CONIFEROUS SHRUBS						
TmH	6	<i>Taxus x media 'Hicksii'</i>	Hicks Yew	-	40cm	1.2m POTTED
JuS	5	<i>Juniperus sabina</i>	Savin Juniper	-	40cm	1.2m POTTED
PmP	8	<i>Pinus mugo var. pumilio</i>	Dwarf Mugo Pine	-	150cm	1.5m POTTED
PERENNIALS, ORNAMENTAL GRASSES AND GROUNDCOVERS						
cak	32	<i>Calamagrostis acutiflora 'Karl Foerster'</i>	Karl Foerster	-	150cm	0.8m 10 cm diam pot.
ep	98	<i>Echinacea purpurea</i>	Purple Coneflower	-	120cm	0.6m 1 GAL. POT
hel	88	<i>Hemerocallidoideae</i>	Common Daylily	-	65cm	0.75m 1 GAL. POT
msg	2	<i>Miscanthus Sinensis 'Gracillimus'</i>	Maiden Grass	-	200cm	1.25m 10 cm diam pot.
md	71	<i>Monarda didyma 'Gardenview Scarlet'</i>	Bee Balm	-	1m	0.7m 1 GAL. POT
hbd	42	<i>Hosta 'Big Daddy'</i>	Big Daddy Hosta	-	65cm	1.5m 1 GAL. POT
hgs	10	<i>Hosta 'Gold Standard'</i>	Gold Standard Hosta	-	60m	1.5m 1 GAL. POT
ss	186	<i>Schizachyrium scoparium</i>	Little Bluestem	-	125cm	0.35m 1 GAL. POT

LANDSCAPE NOTES

GENERAL

1. THE CONTRACTOR IS TO TAKE ALL NECESSARY PRECAUTIONS TO PROTECT EXISTING SITE FEATURES UNLESS IDENTIFIED FOR REMOVAL OR DEMOLITION, INCLUDING ALL SURVEY BARS AND STAKES. CONTRACTOR IS TO MAKE GOOD ANY DAMAGE.
2. THE CONTRACTOR IS RESPONSIBLE FOR FAMILIARIZING THEMSELVES WITH LIMITS OF CONSTRUCTION PRIOR TO THE COMMENCEMENT OF ANY WORK ON THE SITE. THE CONTRACTOR IS TO CONTACT CONTRACT ADMINISTRATOR IN UNCERTAINTY.
3. THE CONTRACTOR IS RESPONSIBLE FOR LOCATION AND STAKING OF ALL UTILITIES PRIOR TO WORK COMMENCING ON THE SITE. CONTRACTOR SHALL LOCATE PLANT MATERIAL IN ACCORDANCE WITH UTILITY OFFSET REQUIREMENTS.
4. CONTRACTOR IS RESPONSIBLE FOR DAMAGE TO ALL UNDERGROUND SERVICES INCLUDING LIGHT STANDARD ELECTRICAL LINES.
5. IT IS THE RESPONSIBILITY OF THE CONTRACTOR TO CALL A PRIVATE LOCATING COMPANY AND PAY ALL COSTS RELATING TO ALL SERVICES NOT STAKED OUT BY GAS, HYDRO, BELL, AND CABLE.
6. THE CONTRACTOR SHALL VISIT THE SITE TO CONFIRM SITE CONDITIONS PRIOR TO SUBMITTING BIDS.
7. THE CONTRACTOR SHALL REMOVE ALL DEBRIS, GARBAGE AND SURPLUS MATERIALS FROM THE SITE AT THE END OF EACH DAY. THE SITE IS TO BE KEPT CLEAN.
8. UPON FINAL COMPLETION OF THE PROJECT, ALL WORKMANSHIP AND MATERIALS ARE TO BE GUARANTEED FOR ONE (1) FULL YEAR, UNLESS NOTED OTHERWISE. ALL WORKMANSHIP IS TO BE COMPLETED TO THE STANDARDS OF THE ONTARIO LANDSCAPE CONTRACTORS ASSOCIATION.
9. ALL CONSTRUCTION TO BE CARRIED OUT IN ACCORDANCE WITH THE MOST CURRENT DESIGN STANDARDS, CRITERIA, AND SPECIFICATIONS FROM THE ONTARIO BUILDING CODE, THE ONTARIO PROVINCIAL STANDARD DETAIL, THE ONTARIO PROVINCIAL STANDARD SPECIFICATION AND LANDSCAPE ONTARIO.
10. CONTRACTOR TO ENSURE PROPER DEPTH OF EXCAVATIONS TO ACCOMMODATE HARD SURFACE AND LANDSCAPING AS SPECIFIED ON THESE DRAWINGS.

ENVIRONMENTAL NOTES

1. THE CONTRACTOR SHALL ADHERE TO SPECIAL PROVISION REQUIREMENTS FOR THE MANAGEMENT OF ON-SITE MATERIAL AS PER THE DRAWINGS AND SPECIAL PROVISIONS OF THIS CONTRACT.
2. THE CONTRACTOR SHALL ENSURE THAT ALL REASONABLE MEASURES ARE TAKEN TO LIMIT GROUND DISTURBANCE CAUSED BY HEAVY EQUIPMENT USAGE, AND THAT EROSION AND SEDIMENT CONTROLS WILL BE INSTALLED ON DISTURBED AREAS. NO SUBSURFACE GROUND-DISTURBING EQUIPMENT SHALL BE USED BY CONSTRUCTION FORCES EXCEPT ON ACCESS ROADS.
3. ALL CONSTRUCTION ACTIVITIES WITHIN THE LIMIT OF CONSTRUCTION SHALL BE EXECUTED IN SUCH A MANNER SO AS TO PREVENT THE ENTRY OF CHEMICALS, PETROLEUM PRODUCTS, DEBRIS, RUBBLE, CONCRETE OR OTHER DELETERIOUS SUBSTANCES INTO LANDSCAPE AREAS.
4. THE CONTRACTOR WILL BE RESPONSIBLE FOR DAILY INSPECTION, CLEANUP AND PROPER LABELING, STORAGE, AND DISPOSAL OF ALL REFUSE AND DEBRIS PRODUCED BY OPERATIONS AND EMPLOYEES. SUITABLE REFUSE COLLECTING FACILITIES WILL BE REQUIRED. ONLY THOSE DISPOSAL AREAS DESIGNATED BY THE OWNER/ CONTRACT ADMINISTRATOR SHALL BE USED. DISPOSAL CONTAINERS SUCH AS DUMPSTERS OR ROLL-OFF CONTAINERS SHALL BE OBTAINED FROM A PROPER WASTE DISPOSAL CONTRACTOR.
5. SOLID, SPECIAL CONSTRUCTION/DEMOLITION AS WELL AS SCRAPS ARE PART OF POTENTIAL REFUSE GENERATED AND SHALL BE PROPERLY MANAGED WITH EMPHASIS ON REUSE, RECYCLE, OR POSSIBLE GIVE AWAY, AS APPROPRIATE, BEFORE THEY ARE HANDLED AS WASTE.
6. CONTRACTOR SHALL ENSURE THAT ALL EQUIPMENT IN OPERATION ON THE SITE IS IN GOOD WORKING CONDITION, AND SHALL MAINTAIN AND OPERATE EQUIPMENT TO LIMIT VEHICLE EXHAUST EMISSIONS. CORRECTIVE ADJUSTMENTS OR REPAIRS SHALL BE DONE ON EQUIPMENT AND VEHICLES THAT SHOW EXCESSIVE EMISSIONS OF EXHAUST AND/OR PARTICULAR MATTER DUE TO POOR ENGINE ADJUSTMENTS OR OTHER INEFFICIENT OPERATING CONDITIONS.
7. CONTRACTOR SHALL VISIT SITE PRIOR TO THE START OF CONSTRUCTION AND PHOTOGRAPH EXISTING CONDITIONS. CONTRACTOR TO NOTE ANY OVERHANGING BRANCHES THAT WILL REQUIRE PRUNING TO PERMIT VEHICULAR ACCESS AND ADVISE LANDSCAPE ARCHITECT/CONTRACT ADMINISTRATOR. ALL PRUNING SHALL BE AS PER CURRENT ISA (INTERNATIONAL SOCIETY OF ARBORICULTURE) STANDARDS.

SITE PREPARATION

1. THE CONTRACTOR SHALL ENSURE POSITIVE DRAINAGE OF ALL AREAS WITHIN THE LIMIT OF THE CONTRACT.
2. CONTRACTOR TO WORK WITHIN GUIDELINES FOR THE CITY'S NOISE BY-LAWS.
3. ANY REFUSE, GARBAGE, OR OTHER DEBRIS ON SITE MUST BE REMOVED AND DISPOSED OF OFF-SITE AT THE EXPENSE OF THE CONTRACTOR.
4. AREAS TO BE SODDED SHALL BE BACKFILLED WITH NATIVE SOIL TO 150MM BELOW FINISHED GRADE TO ALLOW FOR TOPSOIL INSTALLATION.
5. CONTRACTOR TO DETERMINE A SINGLE POINT OF CONSTRUCTION ACCESS AND RESTORE BOULEVARD TO EXISTING OR BETTER CONDITION AFTER THE COMPLETION OF CONSTRUCTION.
6. ABSOLUTELY NO STORAGE OF EQUIPMENT OR MATERIALS OUTSIDE OF CONSTRUCTION FENCING.

SEDIMENTATION CONTROL

1. ALL SILTATION CONTROL FENCING SHALL BE INSTALLED PRIOR TO THE COMMENCEMENT OF EXCAVATION OR GRADING. CONTRACTOR SHALL SUBMIT SEDIMENTATION CONTROL AND EROSION PROTECTION PLAN TO THE CONTRACT ADMINISTRATOR PRIOR TO COMMENCEMENT OF WORK.
2. CONTRACTOR SHALL BE RESPONSIBLE FOR MAINTAINING ALL SILTATION CONTROL DEVICES IN GOOD WORKING ORDER AT ALL TIMES. CONTRACTOR SHALL INSPECT SUCH DEVICES DAILY AND AFTER EACH RAINFALL EVENT.
3. FOLLOWING COMPLETION OF CONSTRUCTION, COLLECTED SILT SHALL BE DISPOSED OFF-SITE. SILT FENCE SHALL BE REMOVED AND THE AFFECTED AREAS SHALL BE RESTORED IN ACCORDANCE WITH THE APPROVED CONSTRUCTION DRAWINGS.

UNDERGROUND SERVICES AND UTILITIES

1. UTILITIES MUST BE LOCATED BY THE UTILITY COMPANIES BEFORE CONSTRUCTION BEGINS. CONTRACTOR IS RESPONSIBLE FOR ANY DAMAGES WHICH OCCUR TO EXISTING SERVICES DURING CONSTRUCTION.
2. CONTRACTOR IS RESPONSIBLE FOR LOCATING ALL EXISTING UTILITIES ON THE SITE.
3. CONTRACTOR MUST CHECK & VERIFY ALL DIMENSIONS AND CONDITIONS ON THE JOB, REPORTING ALL DISCREPANCIES TO THE CONTRACT ADMINISTRATOR BEFORE PROCEEDING WITH THE WORK.
4. CONTRACTOR IS RESPONSIBLE FOR ANY DAMAGE CAUSED TO EXISTING SERVICES WHEN EXCAVATING.

PLANTING

1. ALL PLANTINGS SHALL BE UNDER WARRANTY FOR ONE YEAR (1 YEAR) FROM DATE OF FINAL ACCEPTANCE AND AS SPECIFIED. WARRANTY CONDITIONS SHALL INCLUDE WATERING AS REQUIRED TO SUSTAIN VIVACIOUS GROWTH DURING THE ESTABLISHMENT/WARRANTY PERIOD.
2. THE CONTRACTOR SHALL UNDERTAKE PLANTING PROPOSED ACCORDING TO THE DRAWINGS AND AS SPECIFIED. PLANTING SOIL SHALL COMPLY WITH THESE REQUIREMENTS.
3. ALL PLANTS SHALL BE NURSERY-GROWN AND SUPPLIED BY NURSERIES THAT SUPPORT SUSTAINABLE PRACTICES IN PLANT PRODUCTION.
4. ANY CHANGES, MODIFICATIONS OR EQUIVALENCE PROPOSED BY THE CONTRACTOR IN THE CHOICE OF PLANTS SHALL BE APPROVED BY THE PROFESSIONAL OF RECORD (LANDSCAPE ARCHITECT), PROVIDE GOOD CONTROL OF THE SUPPLIER BEFORE DELIVERY TO THE SITE OF THE PLANT.
5. THE CONTRACTOR SHALL NOTIFY THE PROFESSIONAL OF RECORD (LANDSCAPE ARCHITECT) OF DELIVERY OF PLANT MATERIALS AT LEAST 48 HOURS IN ADVANCE OF DELIVERY FOR REVIEW AND APPROVAL.
6. THE CONTRACTOR SHALL ENSURE THAT THE PLANTS ARE HANDLED WITH CARE SO AS NOT TO BREAK UP SOIL/ROOT CLOUDS OR BRANCHES. FOR TREES, IF NECESSARY, APPLY AN ANTI-DESICCANT SO THEY DO NOT DRY OUT DURING TRANSPORT. ANY PLANT DAMAGE SHALL BE REPLACED AT THE CONTRACTOR'S EXPENSE.
7. ON SITE, ALL PLANTS SHOULD BE PROTECTED FROM SUN AND DRYING WINDS AND SHOULD BE WATERED FREQUENTLY UNTIL PLANTING.
8. PITS AND PLANTING BEDS SHOULD BE LOCATED ACCORDING TO THE DRAWINGS AND SHALL BE OF SUFFICIENT SIZE ACCORDING TO THE DETAILS PROVIDED. THE CONTRACTOR SHALL OBTAIN APPROVAL OF THE PITS AND PLANTING BEDS BY THE LANDSCAPE ARCHITECT BEFORE ALL PLANTING.
9. ALL SURFACES OF PLANTING BEDS (SHRUBS) AND SAUCERS FOR TREE PLANTING PITS WILL BE COVERED WITH MULCH, NATURAL CEDAR (MINIMUM 5-INCH THICK LAYER). MULCH IS TO BE PULLED BACK FROM THE TRUNK OF THE TREE. CUT AND REMOVE TOP 2/3 OF THE WIRE BASKET, ROPES AND TIES (DO NOT BURY).
10. PLANTS SHOULD BE WATERED LESS THAN AN HOUR AFTER PLANTING AND AGAIN IN THE SAME DAY.
11. ALL DECIDUOUS TREES AND CONIFERS SHALL BE PROTECTED AGAINST RODENTS WITH 230mm DIMEX ARBORGUARD TRUNK PROTECTORS OR APPROVED EQUIVALENT INSTALLED AT THE BASE OF THE TRUNK.
12. WINTER PROTECTION: NECESSARY PLANT PROTECTION SUCH AS BURLAP WRAPPING SHALL BE INSTALLED FOR ALL FRAGILE PLANTS TO PROTECT AGAINST WINTER WINDS OR LIKELY DAMAGE BY SNOW - FOR EXAMPLE THE BASE OF THE BUILDING SUBJECT TO FALLING SNOW FROM ROOFS, OR IN AREAS SUBJECT TO SNOW STORAGE AND REMOVAL. THE PROTECTION SHALL BE REVIEWED AND APPROVED AT THE END OF THE PLANTING WORKS BY LANDSCAPE ARCHITECT. PROTECTIONS MUST BE ADAPTED TO EACH PLANT OR GROUP OF PLANTS ACCORDING TO THE SPECIFICATIONS OF THE LANDSCAPE ARCHITECT. STRUCTURES AND MATERIALS DEVELOPED FOR WINTER PROTECTION SHALL REMAIN IN THE POSSESSION OF THE CUSTOMER AFTER THE WARRANTY PERIOD OF THE WORK.



2611 QUEENSVIEW DRIVE, SUITE 300
OTTAWA, ONTARIO
CANADA K2B 8K2
PHONE: 613-829-2800
WWW.WSP.COM

CONSULTANT:

SEAL:

CLIENT:

BAYVIEW GROUP

CLIENT REF. #:

--

PROJECT:

WATERIDGE APARTMENT BUILDINGS
1000/1050 TAWADINA ROAD
WATERIDGE VILLAGE,
OTTAWA, ON

KEY PLAN:

DISCLAIMER: COPYRIGHT: THIS DRAWING AND DESIGN IS COPYRIGHT PROTECTED WHICH SHALL NOT BE USED, REPRODUCED OR REVISED WITHOUT WRITTEN PERMISSION BY WSP. THE CONTRACTOR SHALL CHECK AND VERIFY ALL DIMENSIONS AND UTILITY LOCATIONS AND REPORT ALL ERRORS AND OMISSIONS PRIOR TO COMMENCING WORK. THIS DRAWING IS NOT TO BE SCALED.

ISSUED FOR - REVISION:

NO.	DATE	DESCRIPTION
9	2023.05.16	ISSUED FOR SPA SUBMISSION
8	2023.05.03	ISSUED FOR COORDINATION
7	2023.03.24	ISSUED FOR COORDINATION
6	2023.03.16	ISSUED FOR COORDINATION
5	2023.03.09	ISSUED FOR COORDINATION
4	2023.03.08	ISSUED FOR COORDINATION
3	2023.03.06	ISSUED FOR COORDINATION
2	2023.03.02	ISSUED FOR COORDINATION
1	2023.05.24	ISSUED FOR CLC REVIEW

PROJECT NO: 221-004473-00 DATE: -- MAY 2023

ORIGINAL SCALE: 1:200

DESIGNED BY: LS/AP

DRAWN BY: AP

CHECKED BY: AG

DISCIPLINE: LANDSCAPE ARCHITECTURE

TITLE: GENERAL NOTES & DETAILS

SHEET NUMBER: L500

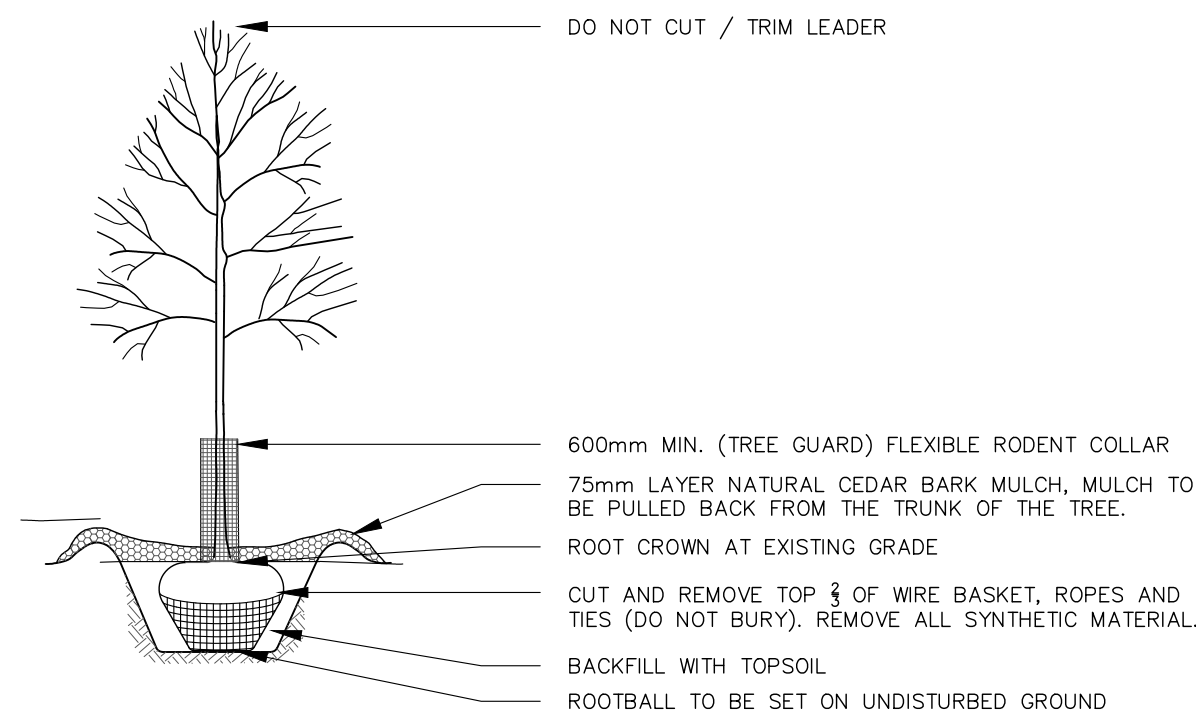
SHEET # OF

ISSUE: --

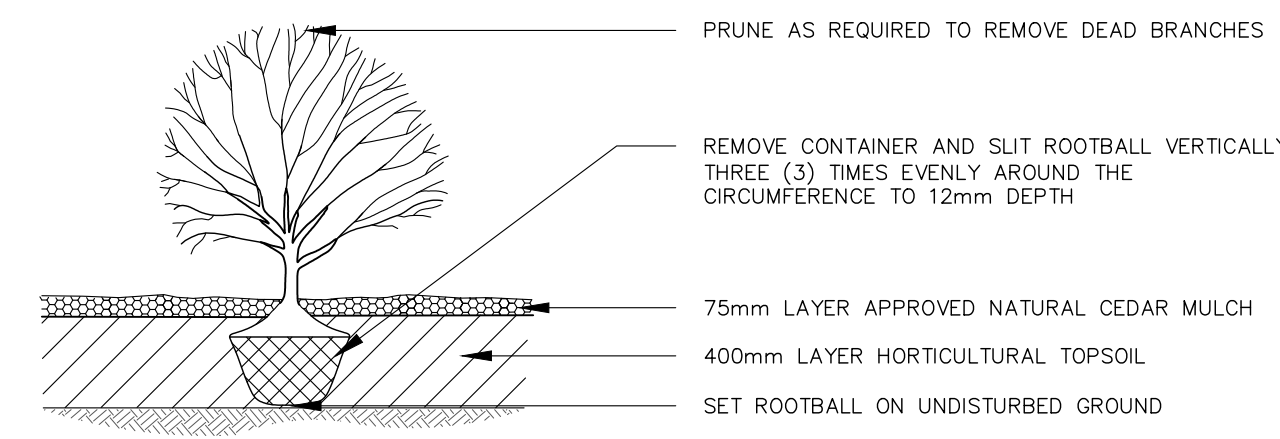
DATE OF: --

REV #

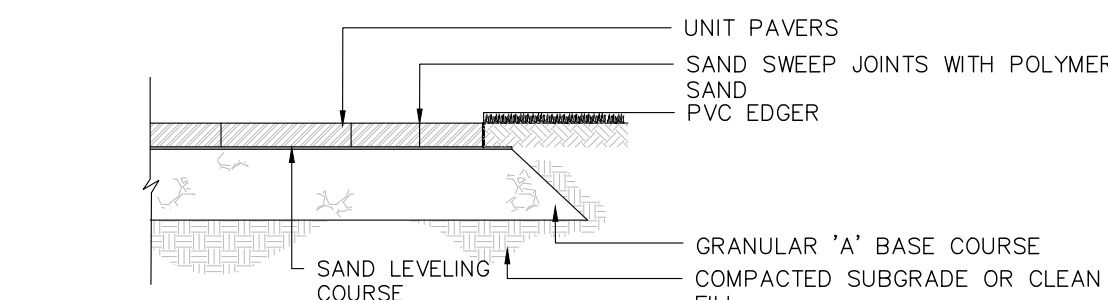
9



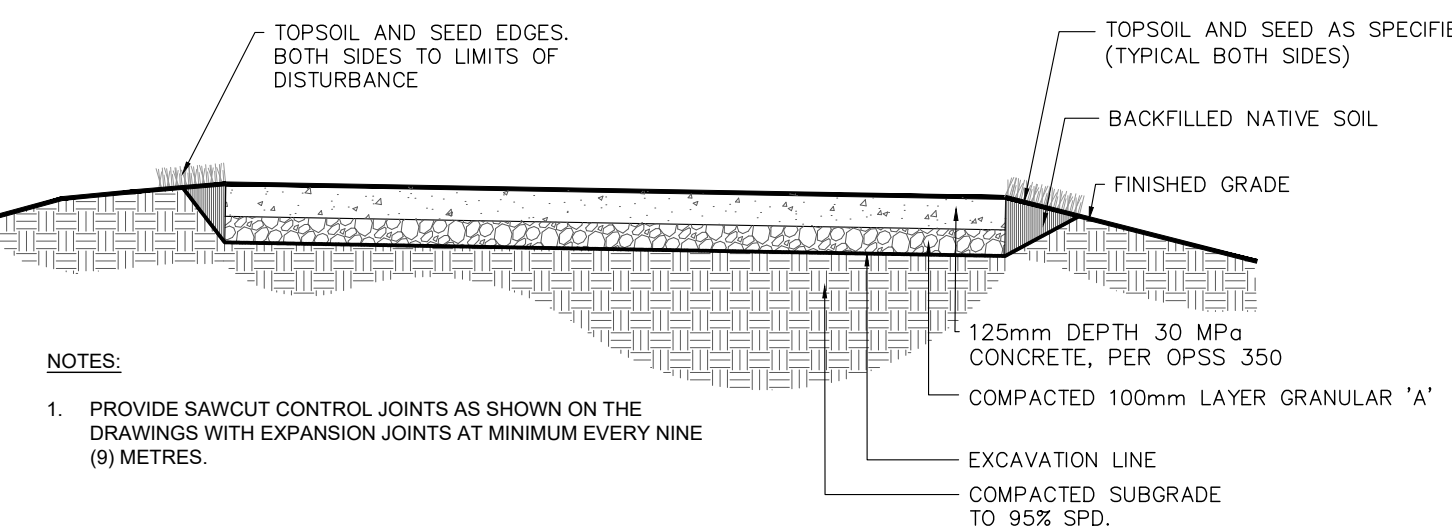
1 DECIDUOUS TREE PLANTING
SCALE: NOT TO SCALE



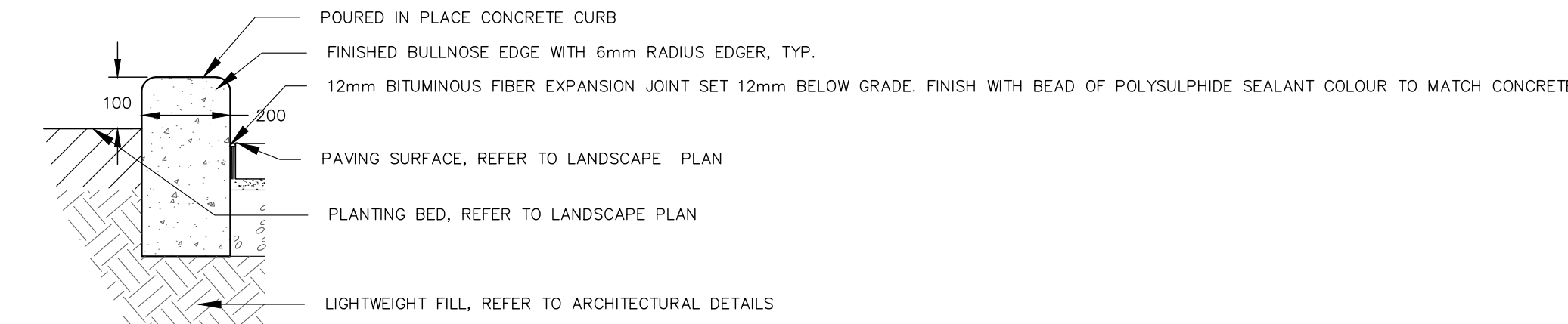
2 SHRUB / ORNAMENTAL GRASS PLANTING
SCALE: NOT TO SCALE



3 CONCRETE UNIT PAVES ON GRANULAR BASE
SCALE: NOT TO SCALE

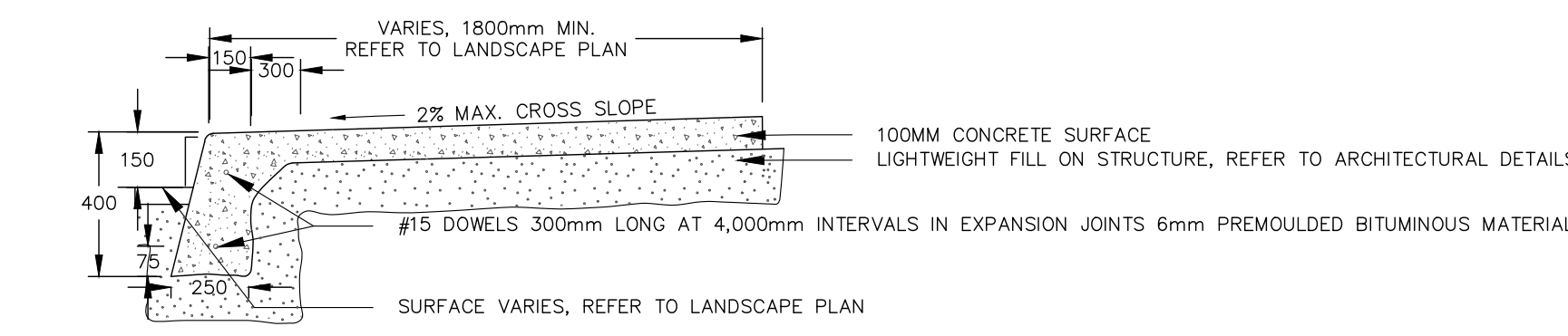


4 CONCRETE WALKWAY
SCALE: NTS

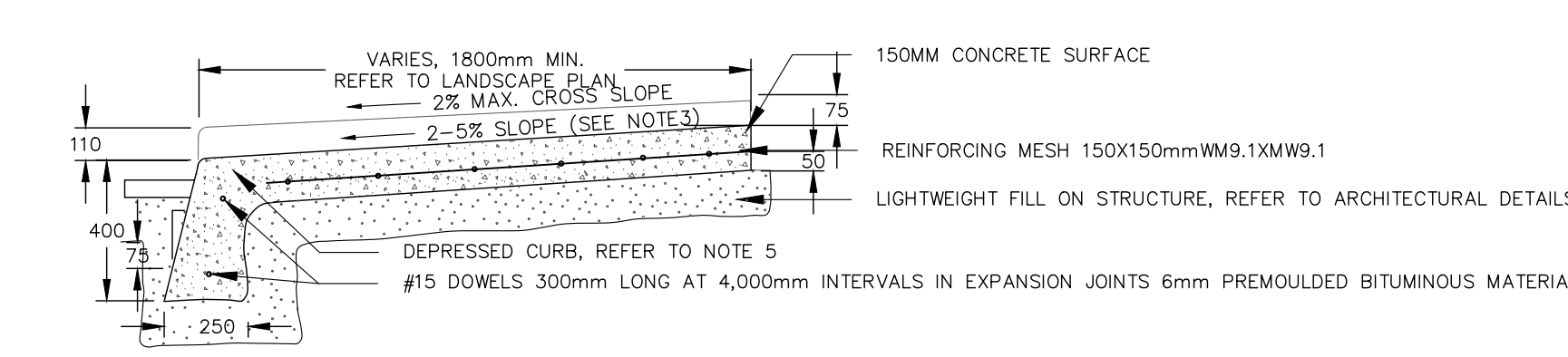


NOTES:
1. ALL DIMENSIONS IN mm UNLESS SHOWN OTHERWISE.

5 CONCRETE PLANTER CURB
SCALE: NOT TO SCALE

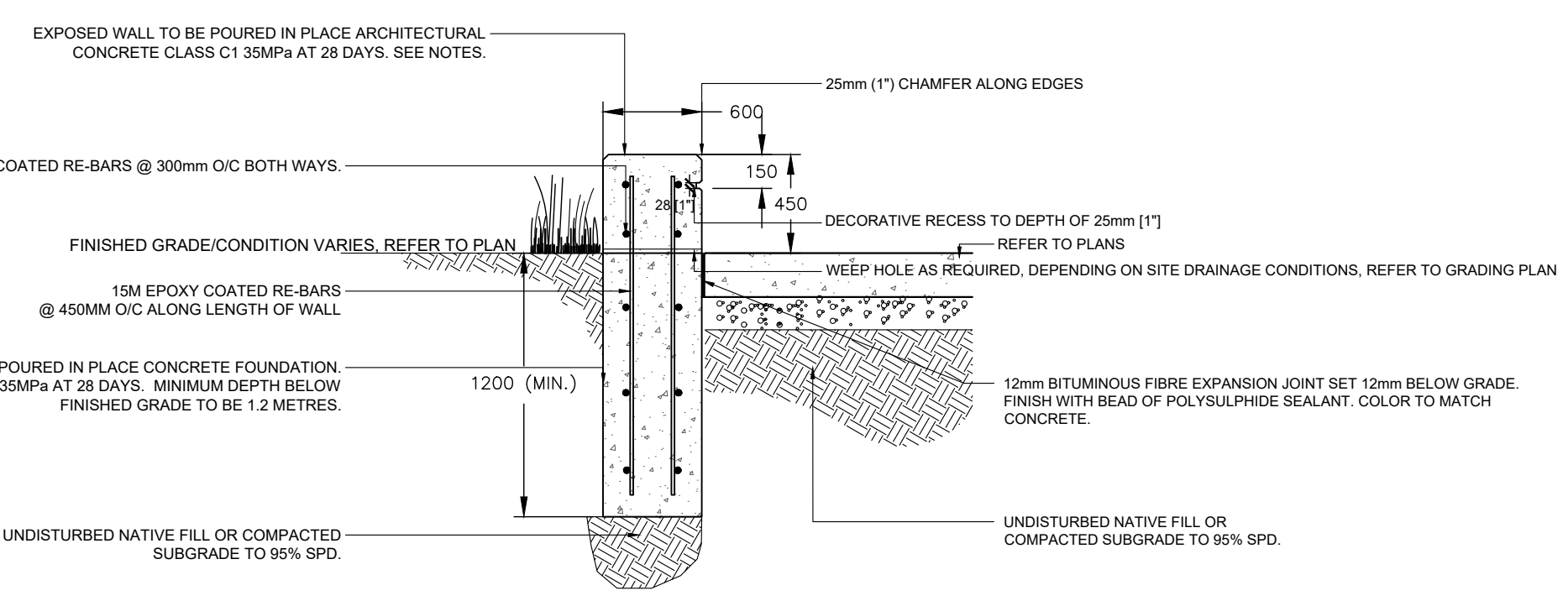


NOTES:
1. ALL DIMENSIONS IN mm UNLESS SHOWN OTHERWISE.
2. 2% MAX. CROSS SLOPE AND 5% MAX. LONGITUDINAL SLOPE.
3. 2-5% SLOPE, 8% MAX. CROSS SLOPES FOR CURB RAMPS.
4. EXPANSION AND DUMMY JOINTS AS PER CITY OF OTTAWA STANDARD DETAIL SCs.
5. DEPRESSED CURB HEIGHTS:
5.1. PEDESTRIAN CURB RAMP = 0-6mm;
5.2. PRIVATE ENTRANCE = 0-25mm.



NOTES:
1. ALL DIMENSIONS IN mm UNLESS SHOWN OTHERWISE.
2. 2% MAX. CROSS SLOPE AND 5% MAX. LONGITUDINAL SLOPE.
3. 2-5% SLOPE, 8% MAX. CROSS SLOPES FOR CURB RAMPS.
4. EXPANSION AND DUMMY JOINTS AS PER CITY OF OTTAWA STANDARD DETAIL SCs.
5. DEPRESSED CURB HEIGHTS:
5.1. PEDESTRIAN CURB RAMP = 0-6mm;
5.2. PRIVATE ENTRANCE = 0-25mm.

6 MONOLITHIC CONCRETE CURB AND SIDEWALK
SCALE: NOT TO SCALE



NOTES:
1. ALL WALL FOUNDATIONS TO BE MINIMUM OF 1.2 METRES BELOW FINISHED GRADE.
2. CONTRACTOR TO SUPPLY ENGINEER STAMPED SHOP DRAWINGS FOR APPROVAL BY THE CONSULTANT.
3. CONCRETE COLOUR TO BE A DARK TINT. ALL COLOURED CONCRETE WITHIN A UNIFIED STRUCTURE TO BE POURED FROM THE SAME TRUCK/MIX TO ENSURE CONSISTENT COLOURING. CONCRETE TO BE COLOURED WITH A DARK TINT.
4. CONCRETE MIX TO BE AGILIA ARCHITECTURAL (LAFARGE) OR APPROVED EQUIVALENT. CONCRETE TO BE 4% - 7% AIR ENTRAINED. EXPOSED SURFACE TO RECEIVE A SUBTLE TEXTURED FINISH (APPLICATION TECHNIQUE TBD - TEXTURE SAME AS WALL FINISH).

7 CONCRETE SEAT WALL
SCALE: NOT TO SCALE