

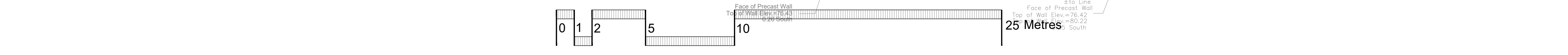
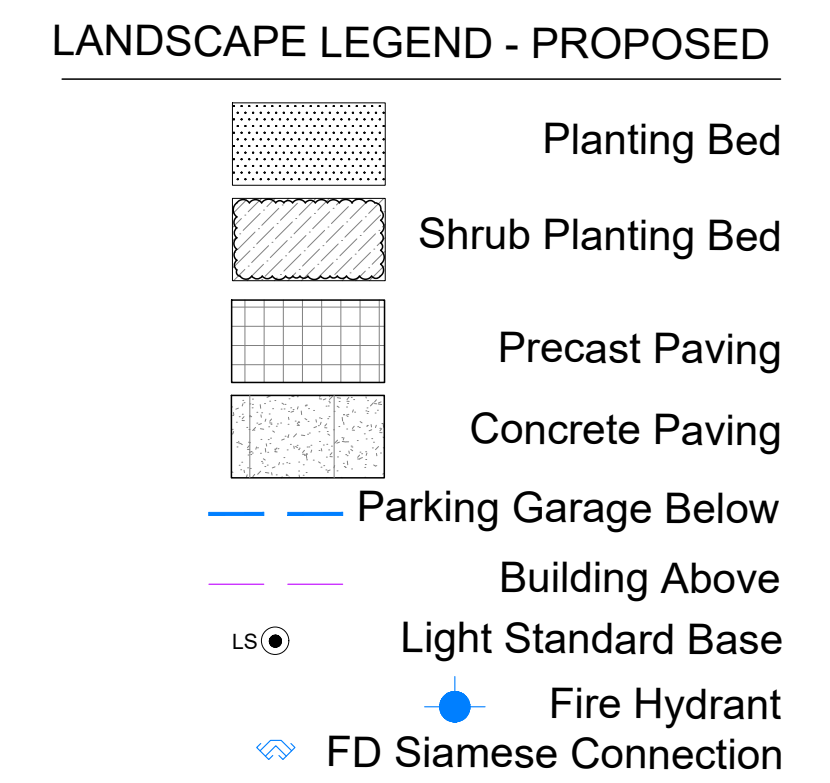
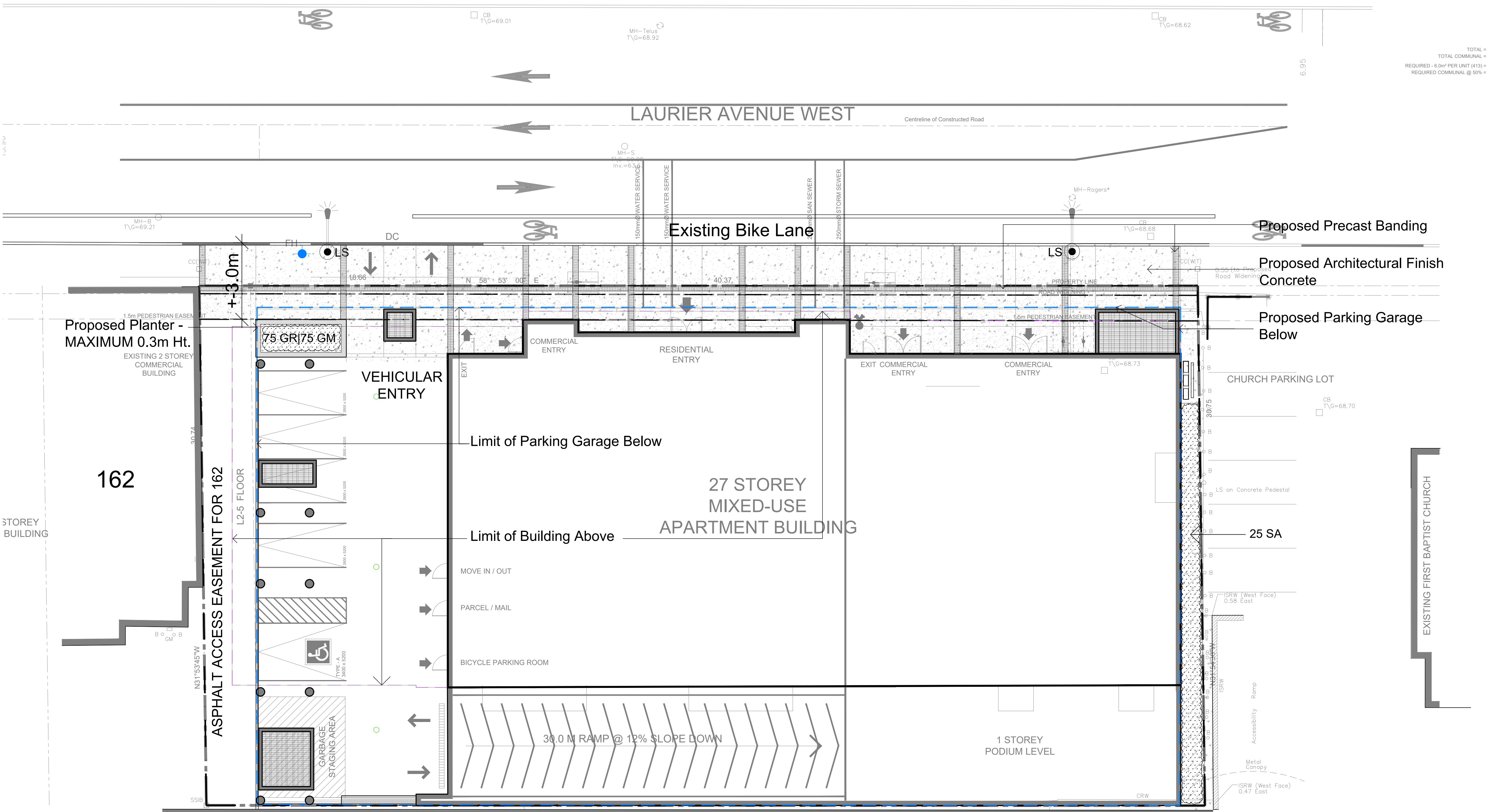
Drawing Remains the Property of/Copyright Reserved by Gino J. Aiello Landscape Architect. Do Not Use or Reproduce Without Approval of Gino J. Aiello.

**NOT To Be Used For Construction Unless indicated by Revision: "FOR LANDSCAPE CONSTRUCTION"**

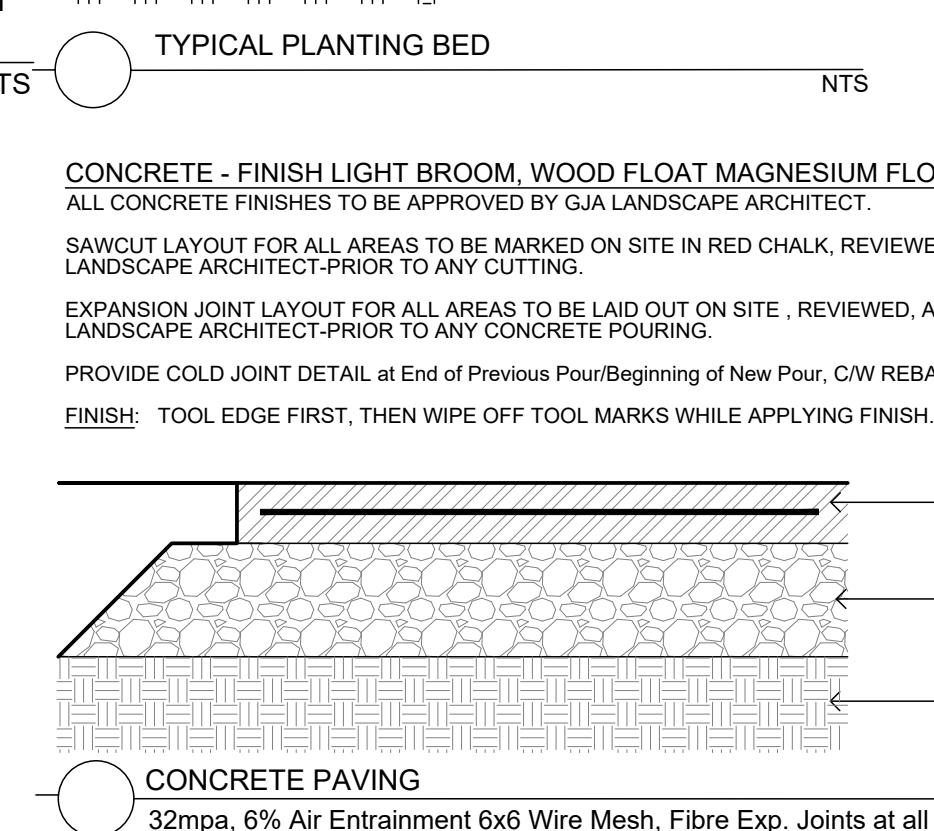
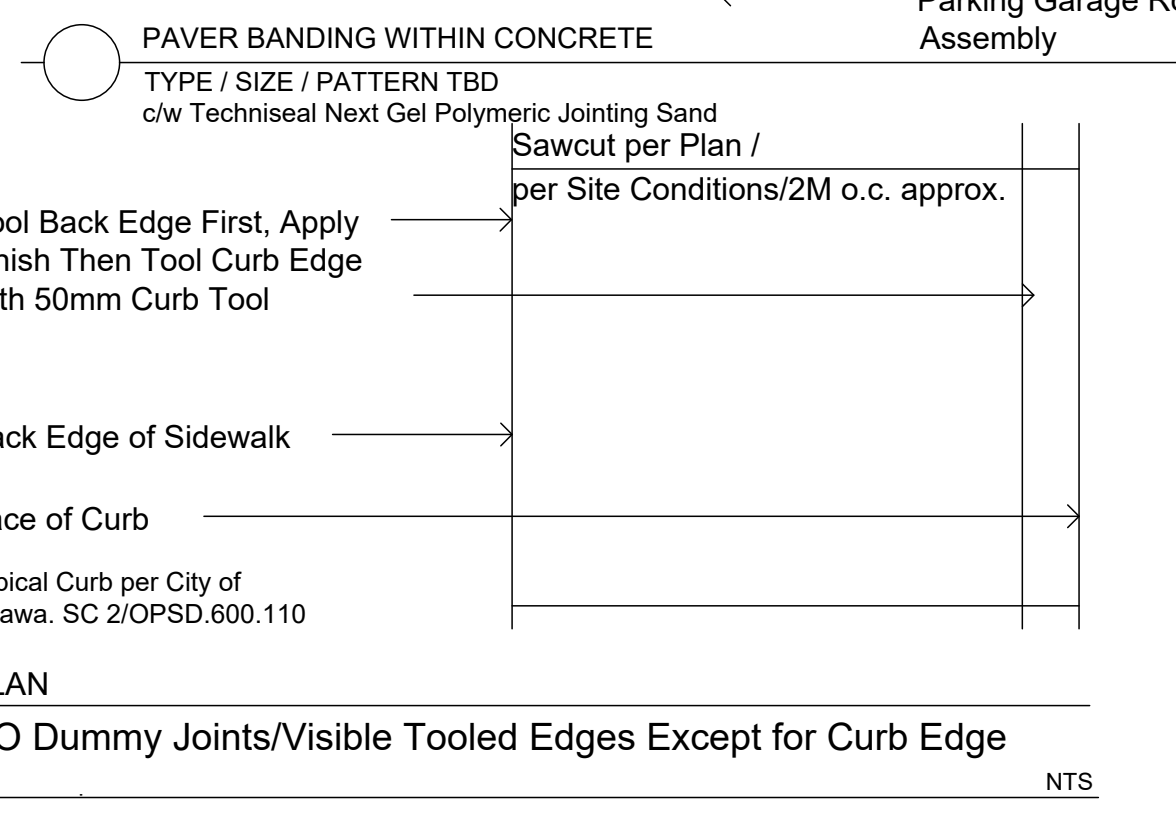
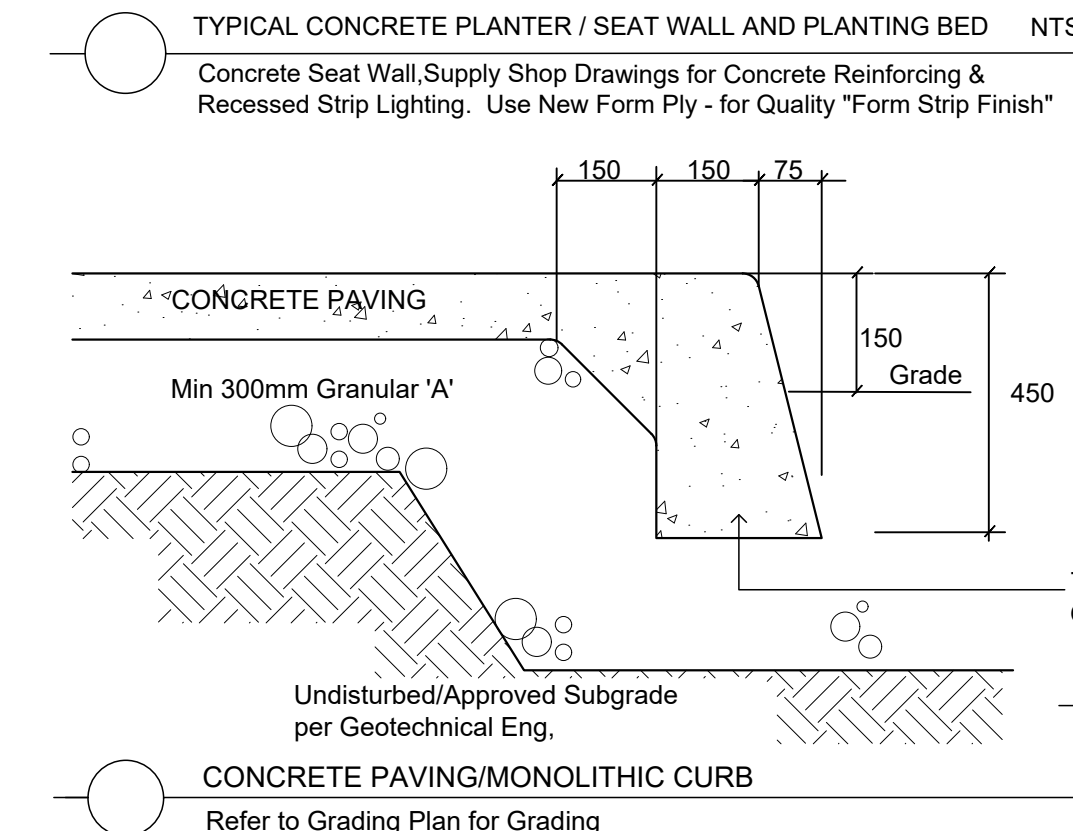
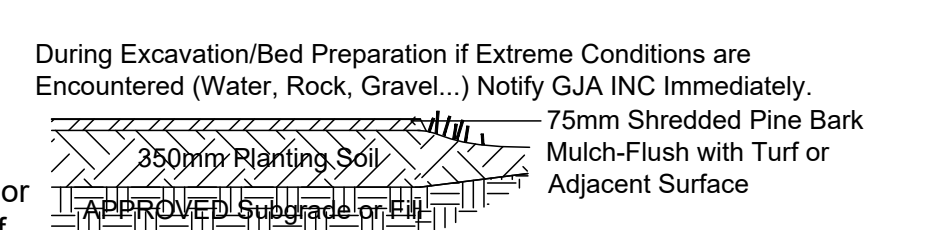
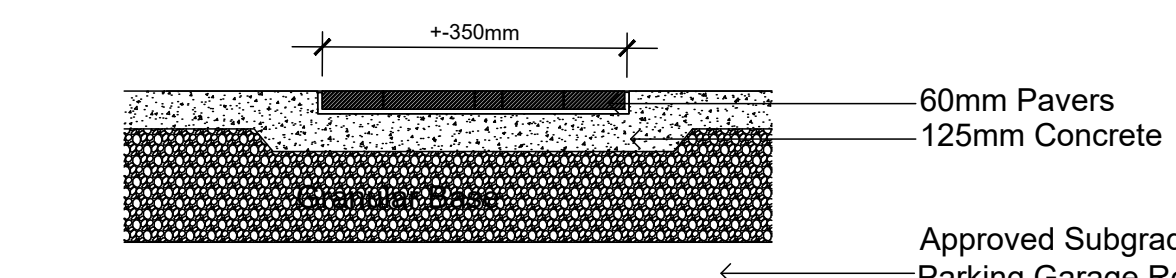
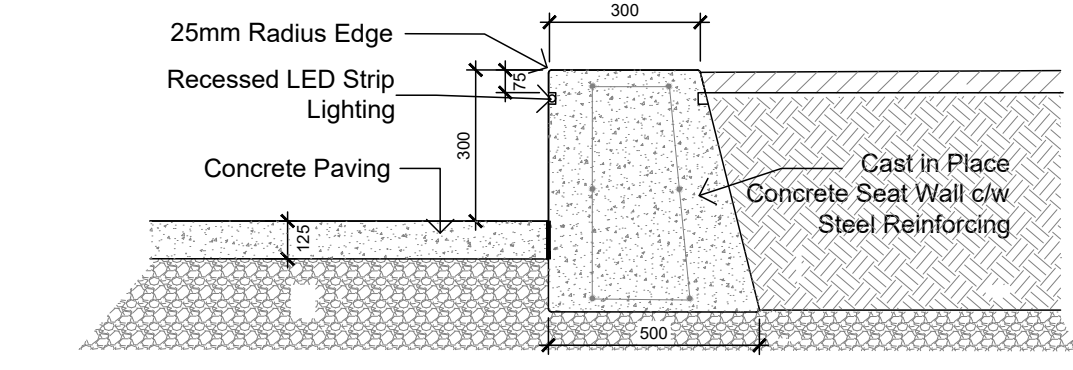
**Contractor is Responsible** for Verification of Site Locations of all Utilities. Report any Discrepancies Between Site and Drawing Immediately to Gino J. Aiello. Do NOT Proceed Until Clarified.

TURF AREAS TO BE SOD C/W 150MM DEPTH TOPSOIL ON APPROVED SUBGRADE | SOD TO BE #1 GRADE TURFGRASS NURSERY SOD per NSGA - Fine Fescue/Kentucky Bluegrass Sod | PLANTING MIX TO BE APPROVED BY LANDSCAPE ARCHITECT | PLANT MATERIAL TO MEET CNLA STANDARDS/BE APPROVED BY LANDSCAPE ARCHITECT PRIOR TO PLANTING | ALL MATERIALS & WORK TO BE MAINTAINED UNTIL FINAL ACCEPTANCE. (MOWING TURF, WEEDING BEDS, WATERING TURF & PLANTS) & INCLUDE 1 YEAR WARRANTY FROM DATE OF FINAL ACCEPTANCE | PROVIDE WATERING OF ALL PLANT MATERIAL AS REQUIRED FOR PROPER ESTABLISHMENT, UNTIL END OF WARRANTY PERIOD | REFER TO CIVIL ENGINEER'S DRAWING FOR ELEVATIONS / GRADING |

The Landscape Plan is to be read in conjunction with the grading, servicing, site and survey plan | Bare root material to be planted in season only | All plant material locations to be staked on site by the landscape contractor and checked by the landscape architect prior to planting | All trees to be preserved on or directly adjacent to the site will be protected | Plant material are to be installed a minimum of: 3.0m away from any part of any hydro transformer, 3.0m corridor between a fire hydrant and the curb, a 2.5m radius beside or behind a fire hydrant, 2.0m from any servicing/utility line or structure |



### 31 Gloucester Street



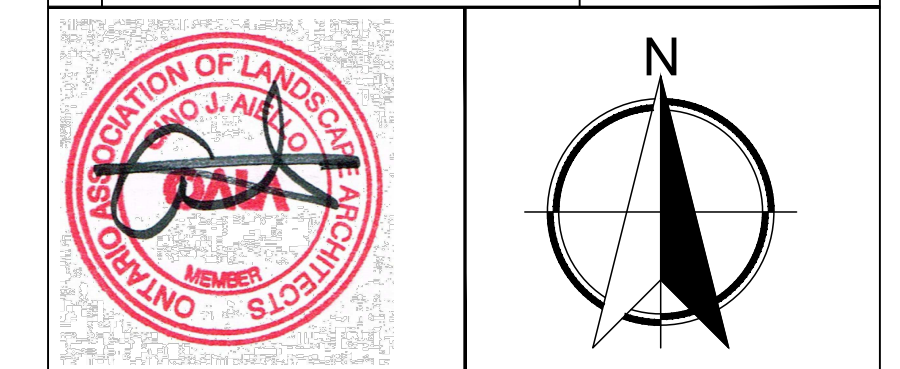
PLANTS 150 LAURIER				
	Qty.	Botanical Name	Common Name	Condition
GM	75	Geranium macrorrhizum	Bigroot Geranium	9cm Pot
GR	75	Geranium psilostemon 'Gerwat'	Rozanne Geranium	9cm Pot
PV	50	Panicum virgatum	Switch Grass	9cm Pot
SA	25	Spiraea alba	MeadowSweet	50cm Ht. Pot

**Halo Stainless Steel Bicycle Rack**  
PS-79-SS-101-BD - Halo Stainless Steel Bicycle Rack  
Our Halo Stainless Steel Bicycle Rack features a 316 stainless tubular steel construction, and is available in Surface or In-Ground mounting options.



**HAUSER**  
FINE FURNITURE  
Width: 38.5" (98.2 cm)  
Depth: 2.25" (5.7 cm)  
Height: 52" (131 cm)

No.	Revision	Date
4	THIRD SUBMISSION SPC	2023 10 19
3	SECOND SUBMISSION SPC	2023 06 15
2	FIRST SUBMISSION SPC	AUGUST 30 2022
1	FOR REVIEW / COORDINATION	AUGUST 2022



Property Owner: **JADCO GROUP**  
345 Boulevard Samson, Laval Quebec H7X 2Z7

**GJA** GINO J. AIELLO | LANDSCAPE ARCHITECT  
GJALA.COM | (613) 286-5130 | GINO@GJALA.COM  
110 DUNDAS BURY ROAD UNIT #91 | OTTAWA ONTARIO | K2T 6C2

Project: **Mixed Use Development**  
**Commercial, Residential**  
150 Laurier Avenue West

Drawing: **Landscape Concept**

Scale: 1:125  
City of Ottawa  
Dwg - 18833

Sheet Number  
**L1**

D07-12-22-0128