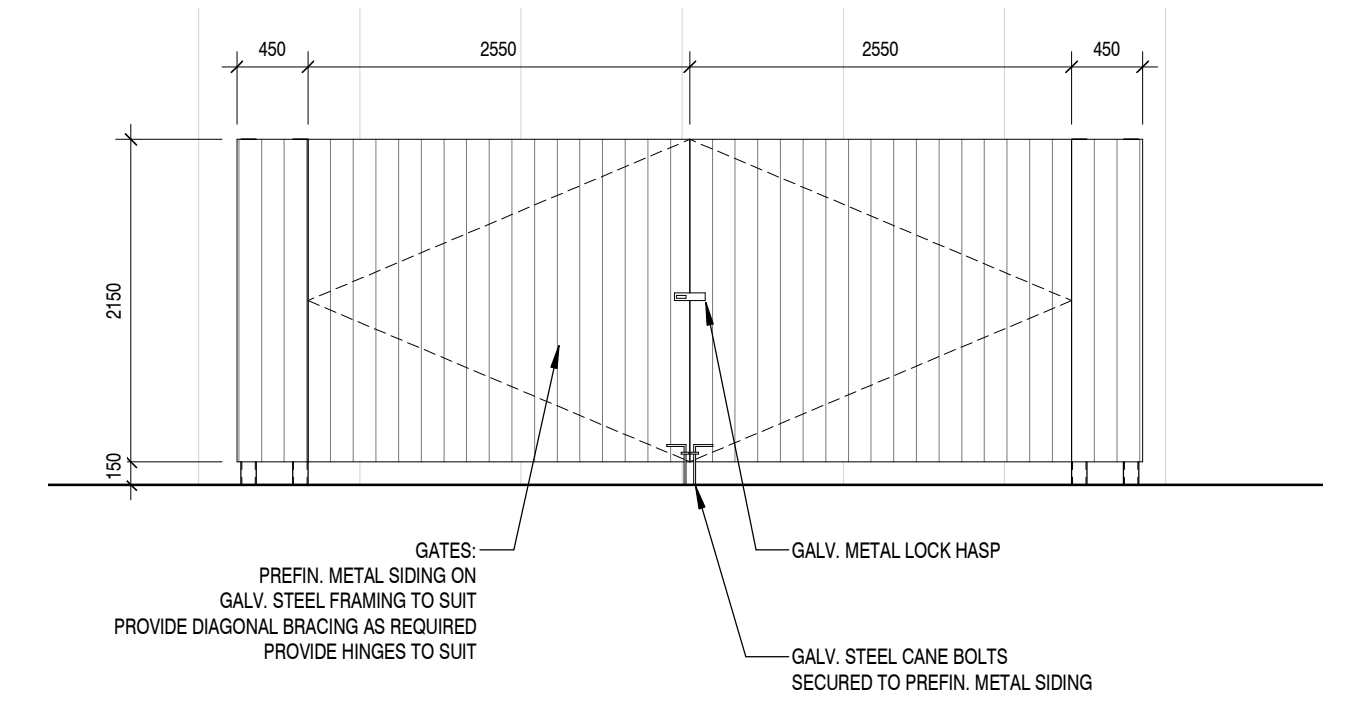
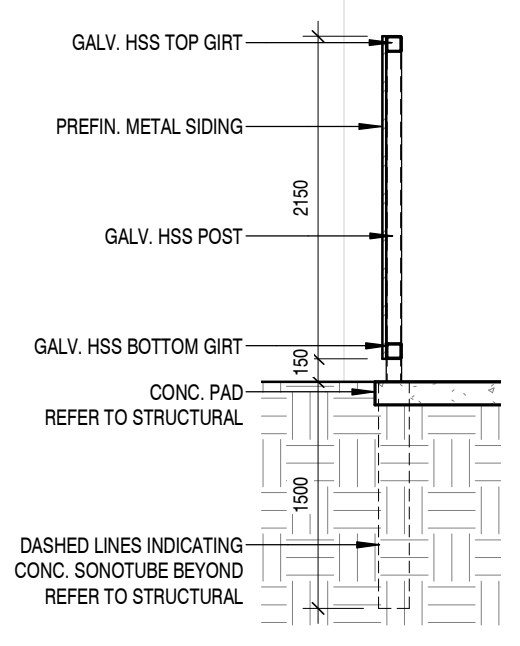


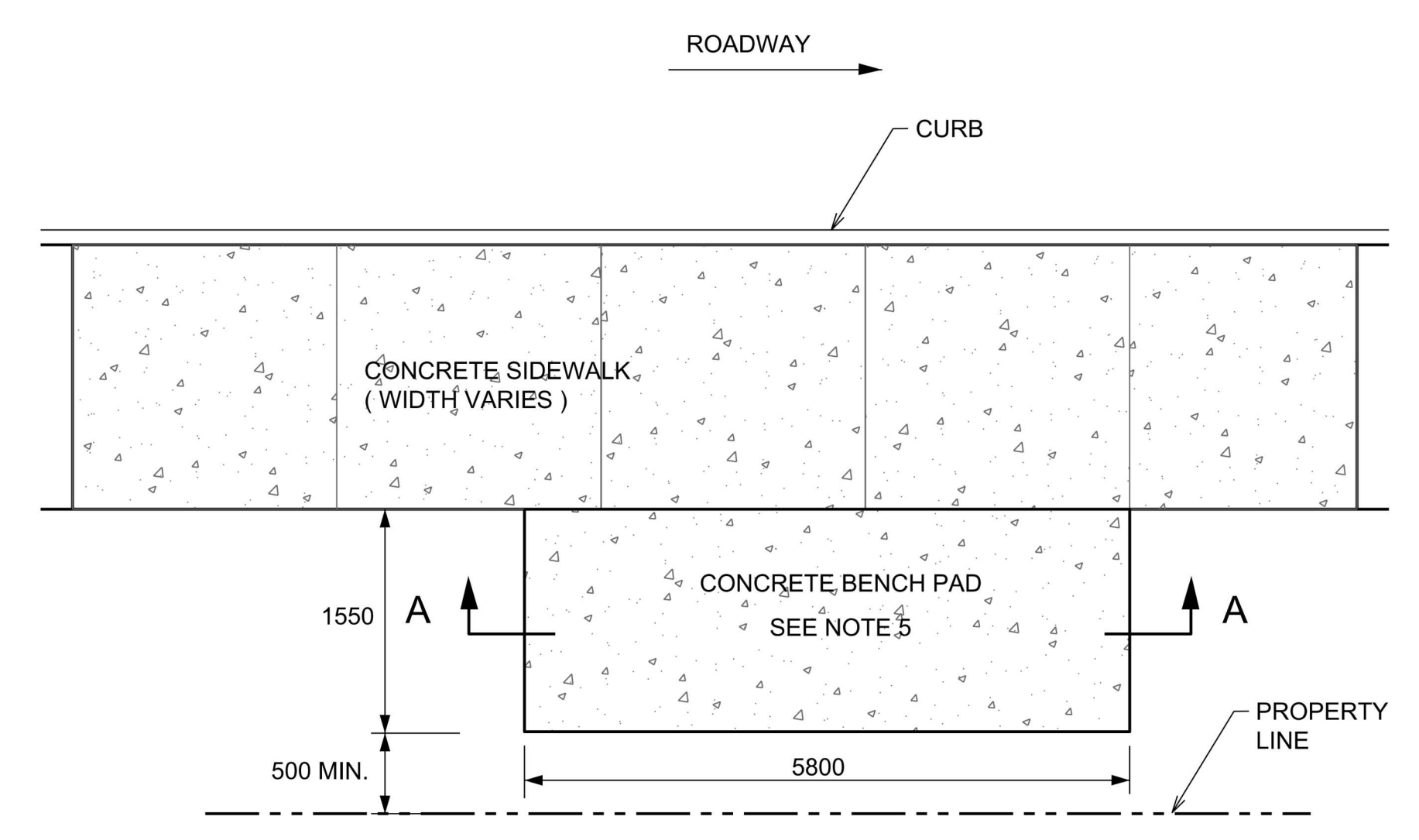
3 PLAN DETAIL - GARBAGE ENCLOSURE
A011 1 : 100



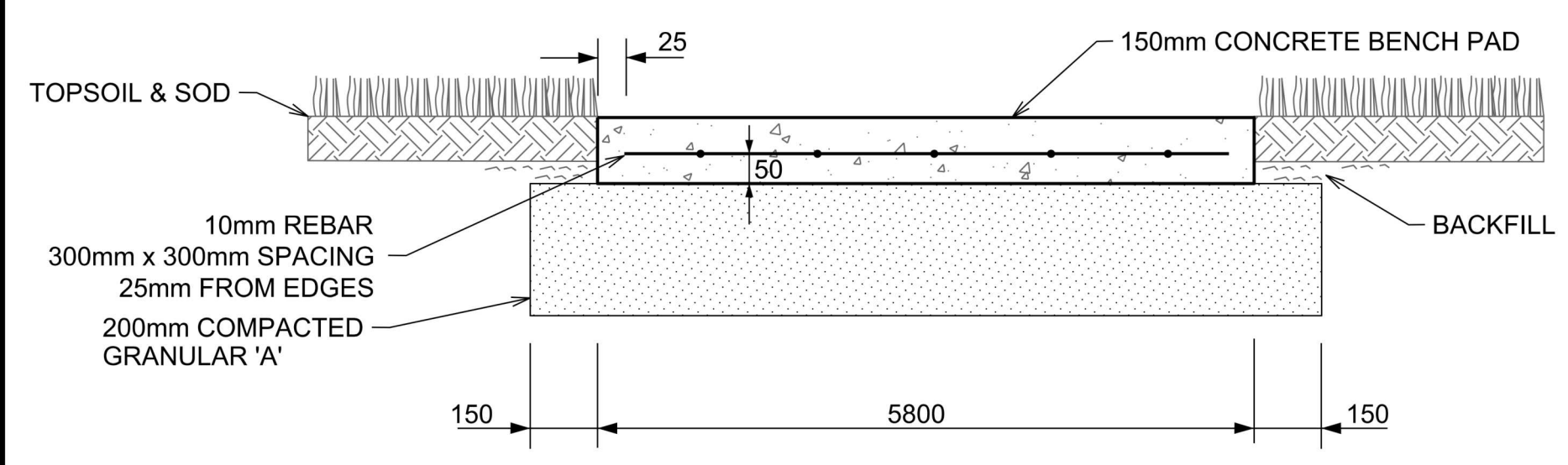
5 ELEVATION DETAIL - GARBAGE ENCLOSURE
A011 1 : 50



4 ELEVATION & SECTION - GARBAGE ENCLOSURE
A011 1 : 50



PLAN



SECTION A-A

1. CONCRETE PADS TO BE IN ACCORDANCE WITH OPSS AND CITY OF OTTAWA STANDARDS.
2. ALL PADS TO BE SLOPED 2% MAX. TOWARDS THE ROAD UNLESS OTHERWISE DIRECTED BY THE CONTRACT ADMINISTRATOR.
3. THE SURFACE ELEVATION OF THE PAD MUST BE FLUSH TO THE SURFACE ELEVATION OF ADJACENT GRADE (SIDEWALK OR BOULEVARD).
4. ALL DIMENSIONS ARE IN MILLIMETRES UNLESS OTHERWISE SHOWN.
5. FINISH TO MATCH SIDEWALK.

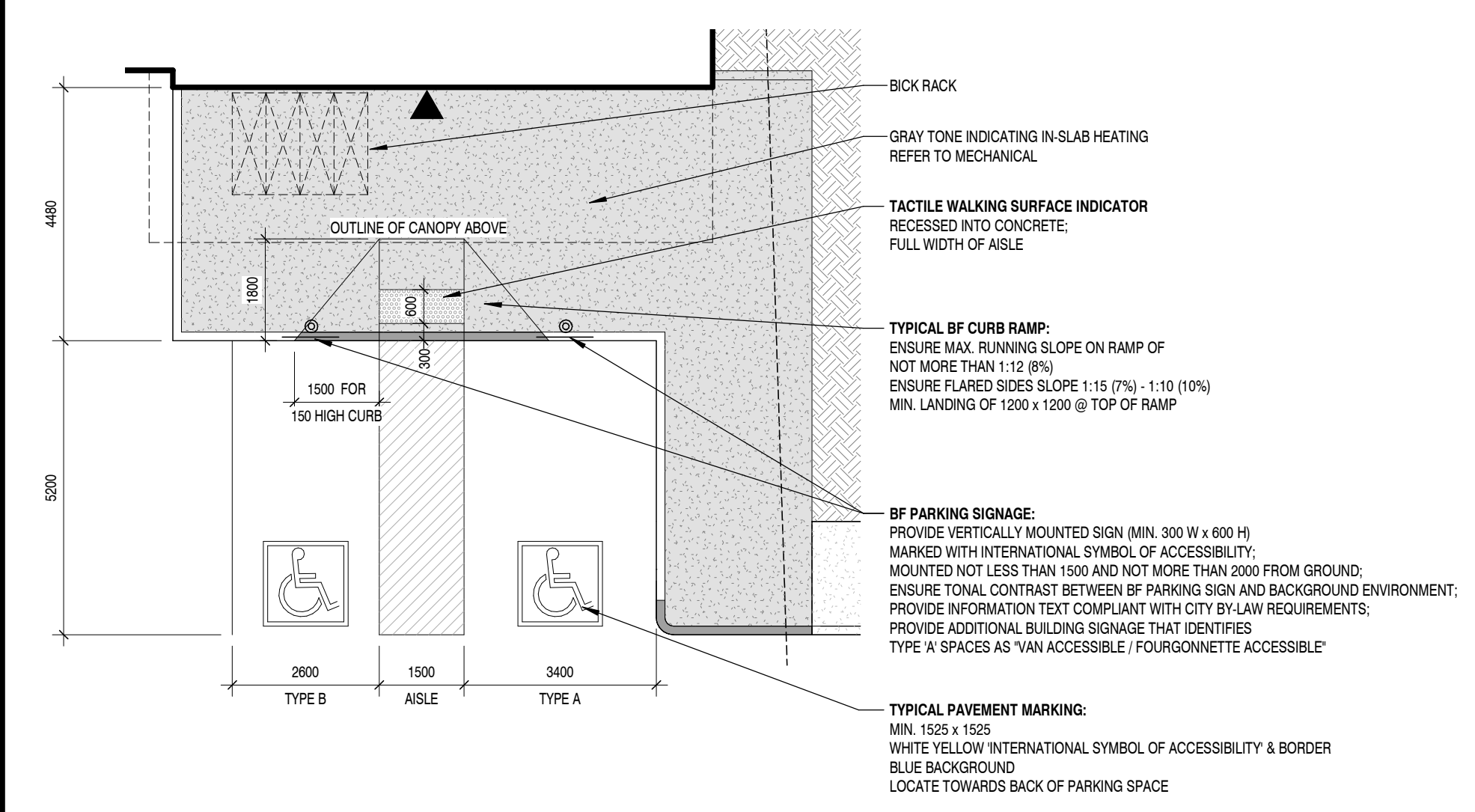
N.T.S.



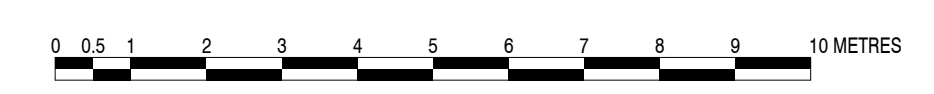
CONCRETE BENCH PAD
ADJACENT TO SIDEWALK

DATE:	MARCH 2016
REV. DATE:	
DWG. No.:	SC11.2

1 SC11.3 BUS STOP DETAIL
A011 1/4" = 1'-0"



2 PLAN DETAIL - ACCESSIBLE PARKING LAYOUT
A011 1 : 100



No.	DATE	DESCRIPTION
0	25 January 2023	Response to Planning Comments
1	20 March 2023	Issued for Permit
2	20 April 2023	Response to Planning Comments

It is the responsibility of the appropriate contractor to check and verify all dimensions on site and report all errors and / or omissions to the Architect. All contractors must comply with all pertinent codes and by-laws. Do not scale drawings. This drawing may not be used for construction until signed by KWC Architects Inc. and shall not be used without the Architect's consent.

North arrow and architect's seal area.

KWC ARCHITECTS INC. logo and contact information: 383 Parkdale Avenue, Suite 201, Ottawa, Ontario, Canada, K1Y 4R4. Phone: 613 238-2217, Fax: 613 238-6595, E-Mail: kwc@kwc-arch.com

BBS logo and contact information: BUILDING A REPUTATION ON EXCELLENCE. BBS CONSTRUCTION (ONTARIO) LTD., 1805 WOODWARD DRIVE, OTTAWA, ON. K2C 0P9 CANADA. TEL: (613) 226-8830 FAX: (613) 226-7709 www.bbsconstruction.ca

owner: JIM KEAY

project: 'FIX AUTO' ORLEANS - AUTOMOBILE BODY SHOP

drawing title: SITE DETAILS

project no.: 2255, drawing no.: A011, scale: As indicated, drawn by: TC, date: 2023 JAN 31