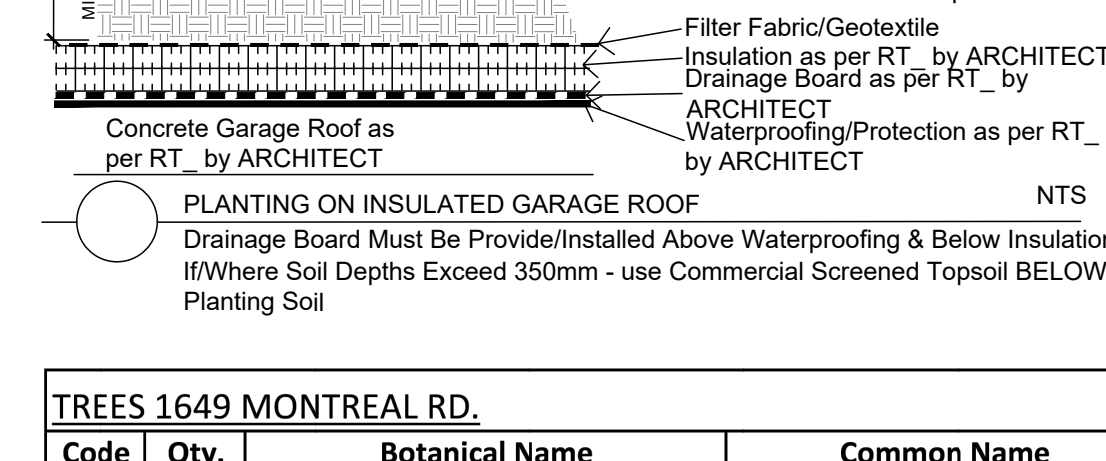
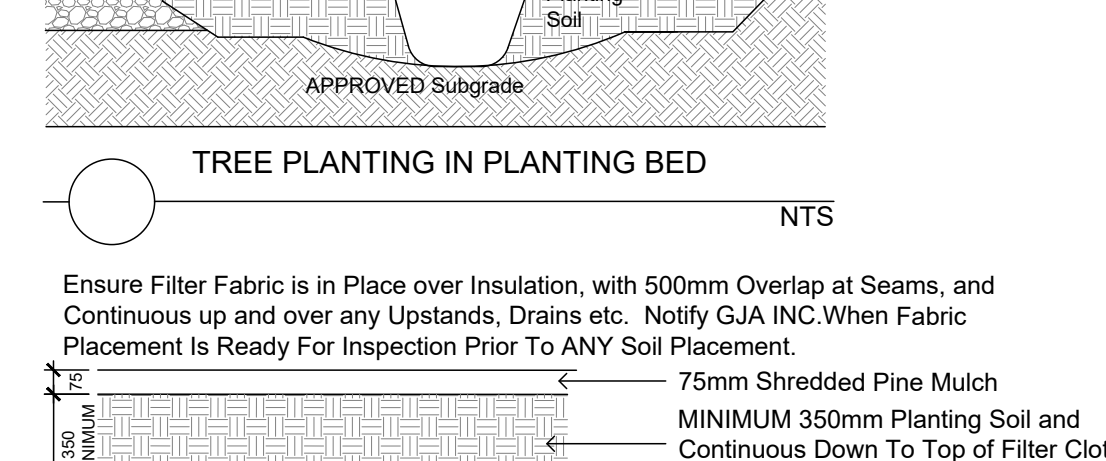
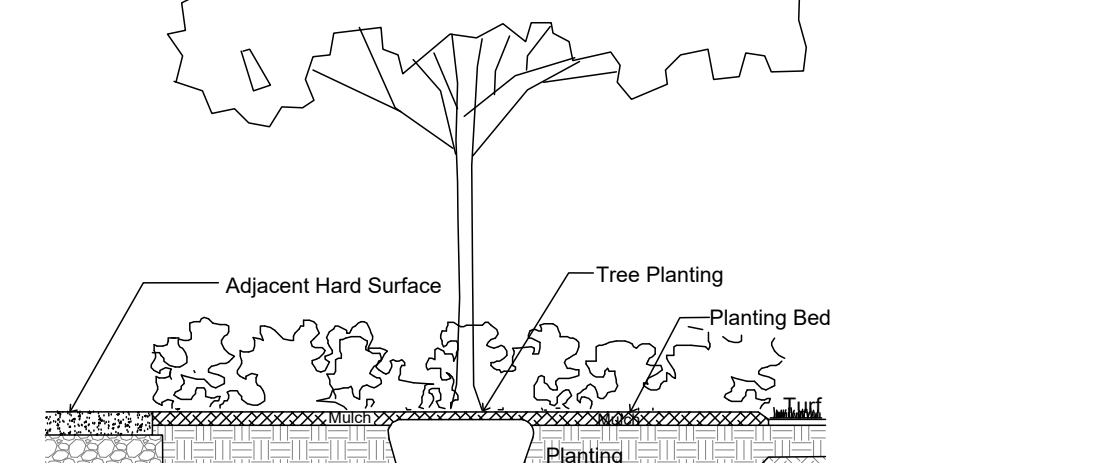
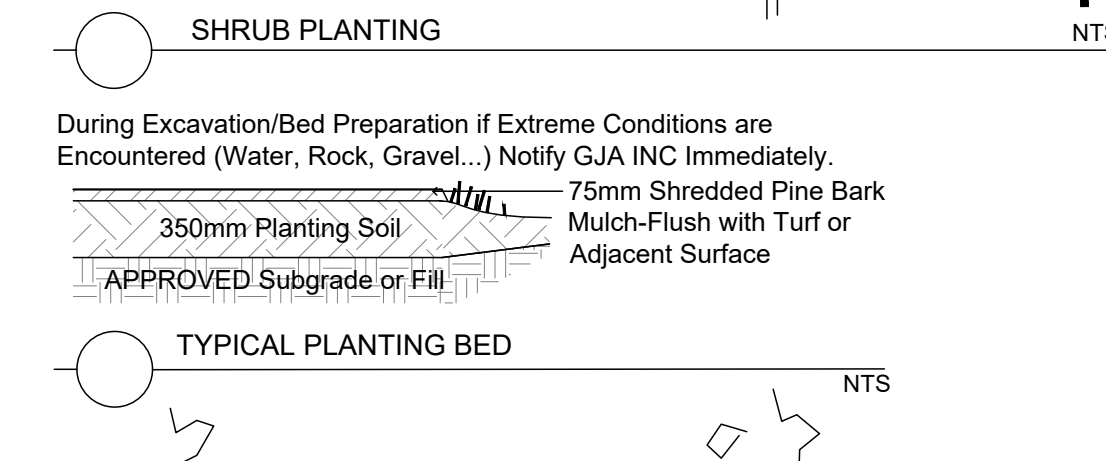
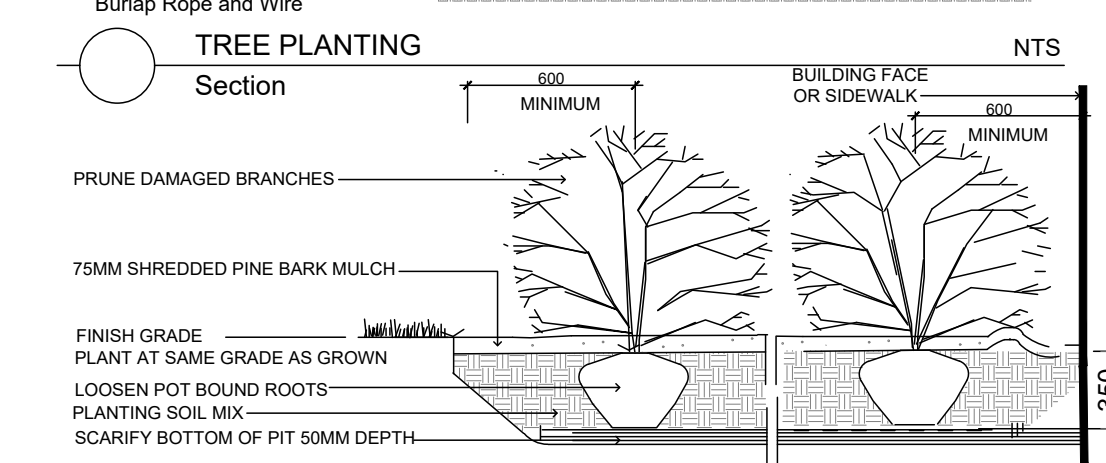
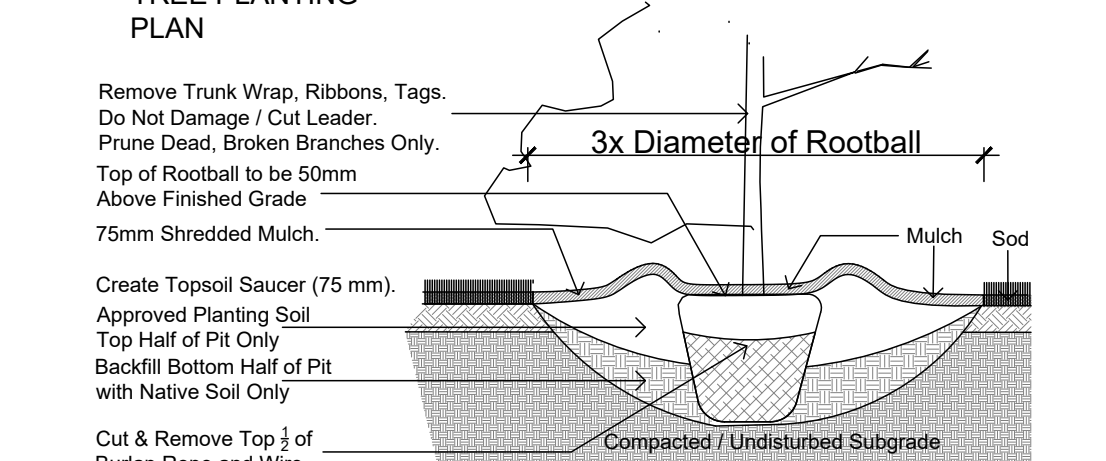
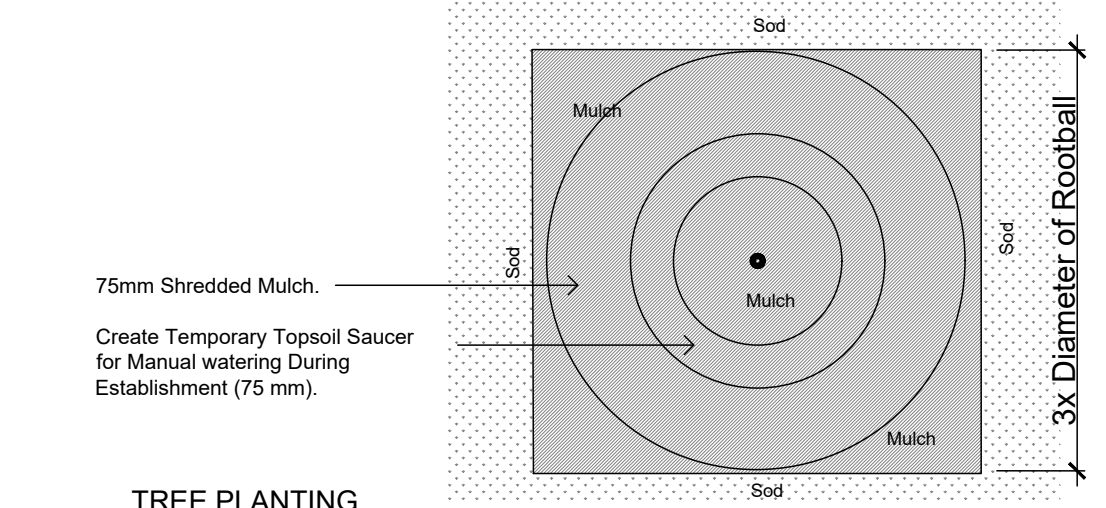


Drawing Remains the Property of/Copyright Reserved by Gino J. Aiello Landscape Architect. Do Not Use or Reproduce Without Approval of Gino J. Aiello.  
**NOT** To Be Used For Construction Unless indicated by Revision: "FOR LANDSCAPE CONSTRUCTION"  
**Contractor is Responsible** for Verification of Site Locations of all Utilities. Report any Discrepancies Between Site and Drawing Immediately to Gino J. Aiello. Do NOT Proceed Until Clarified.

TURF AREAS TO BE SOD C/W 150MM DEPTH TOPSOIL ON APPROVED SUBGRADE | SOD TO BE #1 GRADE TURFGRASS NURSERY SOD per NSGA - Fine Fescue/Kentucky Bluegrass Sod | PLANTING MIX TO BE APPROVED BY LANDSCAPE ARCHITECT | PLANT MATERIAL TO MEET CNLA STANDARDS/BE APPROVED BY LANDSCAPE ARCHITECT PRIOR TO PLANTING | ALL MATERIALS & WORK TO BE MAINTAINED UNTIL FINAL ACCEPTANCE, (MOWING TURF, WEEDING BEDS, WATERING TURF & PLANTS) & INCLUDE 1 YEAR WARRANTY FROM DATE OF FINAL ACCEPTANCE | PROVIDE WATERING OF ALL PLANT MATERIAL AS REQUIRED FOR PROPER ESTABLISHMENT, UNTIL END OF WARRANTY PERIOD | REFER TO CIVIL ENGINEER'S DRAWING FOR ELEVATIONS / GRADING |

The Landscape Plan is to be read in conjunction with the grading, servicing, site and survey plan | Bare root material to be planted in season only | All plant material locations to be staked on site by the landscape contractor and checked by the landscape architect prior to planting | All trees to be preserved on or directly adjacent to the site will be protected | Plant material are to be installed a minimum of: 3.0m away from any part of any hydro transformer, 3.0m corridor between a fire hydrant and the curb, a 2.5m radius beside or behind a fire hydrant, 2.0m from any servicing/utility line or structure |



**EXISTING TREES REFER TO TCR BY IFS**

- TO REMAIN / PROTECT
- TO BE REMOVED
- Protection Fence Beyond CRZ

**BELOW GRADE SERVICES REFER TO CIVIL /CUP**

- U/G Water Service
- U/G Storm Service
- U/G Sanitary Service
- U/G Gas Service
- U/G TelCo Service
- U/G Hydro Service
- O/H Hydro Service
- Fire Hydrant
- FD Siamese Connection
- Catch Basin CB/Manhole

**LANDSCAPE LEGEND - PROPOSED**

- Deciduous Tree
- Coniferous Tree
- Planting Bed
- Shrub Planting Bed
- Riverwash
- Stone/Filter Cloth
- Precast Paving
- Concrete Paving
- Concrete Seat Wall
- Parking Garage Below
- Light Standard Base
- Area Drain c/w Riverwash
- Surface Slopes - Refer To Civil
- Overland Flow - Refer To Civil



**TREES 1649 MONTREAL RD.**

| Code | Qty. | Botanical Name                 | Common Name                 | Size     | Condition      |
|------|------|--------------------------------|-----------------------------|----------|----------------|
| AC   | 4    | Amelanchier canadensis         | Serviceberry                | 50mm cal | B + B specimen |
| AG   | 2    | Aesculus glabra                | Ohio Buckeye                | 60mm cal | B + B specimen |
| AR   | 1    | Acer rubrum                    | Red Maple                   | 70mm cal | B + B specimen |
| AS   | 1    | Acer saccharum                 | Sugar Maple                 | 60mm cal | B + B specimen |
| CC   | 1    | Crataegus crus-galli 'Inermis' | Thornless Cockspur Hawthorn | 60mm cal | B + B specimen |
| GT   | 7    | Gleditsia triacanthos 'Draves' | Street Keeper Locust        | 60mm cal | B + B specimen |
| MH   | 1    | Malus 'Harvest Gold'           | Harvest Gold Crabapple      | 60mm cal | B + B specimen |
| MR   | 1    | Malus 'Robinson'               | Robinson Crabapple          | 60mm cal | B + B specimen |
| MS   | 1    | Malus 'Sutyzam'                | Sugar Tyme Crabapple        | 60mm cal | B + B specimen |
| QM   | 3    | Quercus macrocarpa             | Bur Oak                     | 70mm cal | B + B specimen |
| QR   | 4    | Quercus rubra                  | Red Oak                     | 60mm cal | B + B specimen |

| Code | Qty. | Botanical Name       | Common Name              | Size      | Condition      |
|------|------|----------------------|--------------------------|-----------|----------------|
| AB   | 3    | Abies balsamea       | Balsam Fir               | 2.0m Ht.  | B + B specimen |
| JV   | 1    | Juniperus virginiana | Eastern Red Cedar        | 1.5m Ht.  | B + B specimen |
| LL   | 1    | Larix laricina       | Eastern Larch / Tamarack | 2.25m Ht. | B + B specimen |
| PG   | 2    | Picea glauca         | White Spruce             | 2.5m Ht.  | B + B specimen |
| PR   | 1    | Pinus resinosa       | Red Pine                 | 1.5m Ht.  | B + B specimen |
| PS   | 5    | Pinus strobus        | White Pine               | 1.75m Ht. | B + B specimen |

**SHRUBS 1649 MONTREAL RD.**

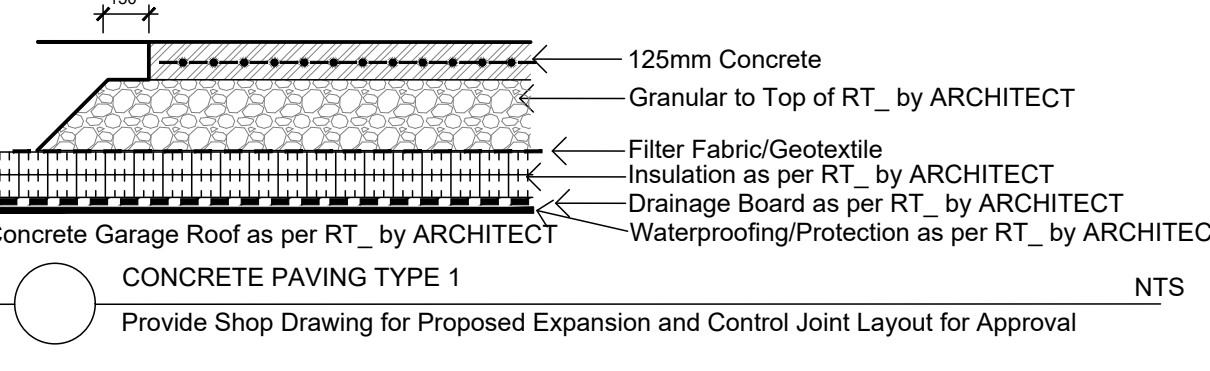
| Code | Qty. | Botanical Name               | Common Name       | Size     | Condition |
|------|------|------------------------------|-------------------|----------|-----------|
| HK   | 275  | Hypericum kalmianum          | St. John's Wort   | 30cm Ht. | Pot       |
| SB   | 110  | Spiraea bumalda 'Dart's Red' | Dart's Red Spirea | 60cm Ht. | Pot       |

**GC 1649 MONTREAL RD.**

| Code | Qty. | Botanical Name                | Common Name      | Size     | Condition |
|------|------|-------------------------------|------------------|----------|-----------|
| GM   | 35   | Geranium macrorrhizum         | Bigroot Geranium | 9cm Pot  |           |
| GR   | 40   | Geranium psilostemon 'Gerwat' | Rozanne Geranium | 9cm Pot  |           |
| PV   | 75   | Panicum virgatum              | Switch Grass     | 9cm Pot  |           |
| PM   | 95   | Pinus mugo var. pumilio       | Mugho Pine       | 30cm spr | Pot       |

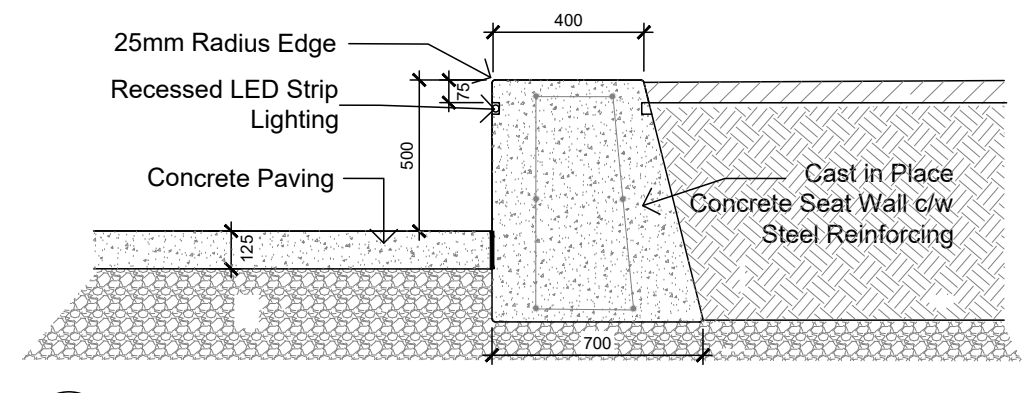
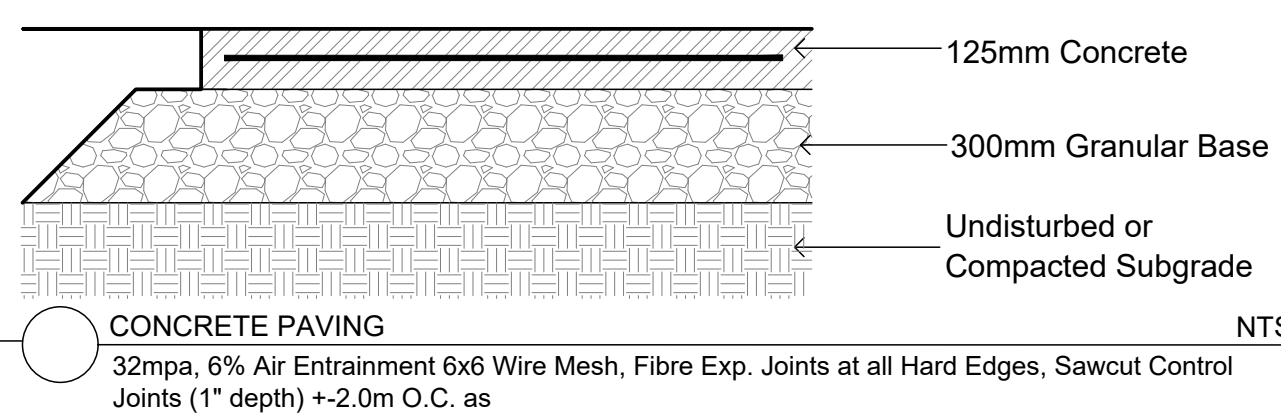
**GENERAL CONCRETE NOTES:**

ALL CONCRETE FINISHES TO BE APPROVED BY GJA LANDSCAPE ARCHITECT.  
 SAWCUT and EXPANSION JOINT LAYOUT FOR ALL AREAS TO BE MARKED ON SITE IN RED CHALK, REVIEWED, ADJUSTED AND APPROVED BY GJA LANDSCAPE ARCHITECT PRIOR TO ANY CONCRETE POURING / CUTTING.  
 TYPE 1  
 35 MPa C1 125mm Thick, 6% Air Entrainment 6x6 Wire Mesh, Fibre Exp. Joints at all Hard Edges, Sawcut Control Joints (1" depth) as per plan +2.0m O.C. minimum c/w WOOD FLOAT FINISH - TOOL EDGE FIRST, THEN WIPE OFF TOOL MARKS WHILE APPLYING FINISH

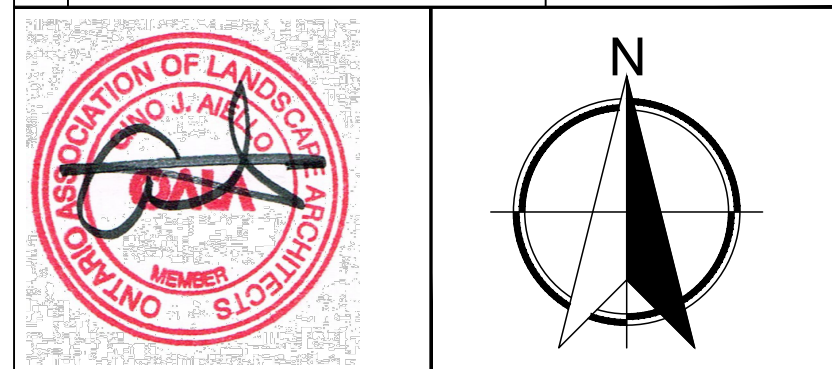


**CONCRETE - FINISH LIGHT BROOM, WOOD FLOAT MAGNESIUM FLOAT:**

ALL CONCRETE FINISHES TO BE APPROVED BY GJA LANDSCAPE ARCHITECT.  
 SAWCUT LAYOUT FOR ALL AREAS TO BE MARKED ON SITE IN RED CHALK, REVIEWED, ADJUSTED AND APPROVED BY GJA LANDSCAPE ARCHITECT PRIOR TO ANY CUTTING.  
 EXPANSION JOINT LAYOUT FOR ALL AREAS TO BE LAID OUT ON SITE, REVIEWED, ADJUSTED AND APPROVED BY GJA LANDSCAPE ARCHITECT PRIOR TO ANY CONCRETE POURING.  
 PROVIDE COLD JOINT DETAIL at End of Previous Pour/Beginning of New Pour. C/W REBAR DOWELS 500mm O.C.  
 FINISH: TOOL EDGE FIRST, THEN WIPE OFF TOOL MARKS WHILE APPLYING FINISH.



| No. | Revision                  | Date           |
|-----|---------------------------|----------------|
| 2   | SECOND SUBMISSION SPC 2   | APRIL 06 2023  |
| 1   | FIRST SUBMISSION SPC1     | AUGUST 30 2022 |
| 0   | FOR REVIEW / COORDINATION | AUGUST 2022    |



Property Owner: Bertone Montreal Road LP  
 1285 Hodge, suite 200, St-Laurent, Quebec, H4N 2B6

Gino J. Aiello | landscape architect GJALA.com  
 GJA Inc. 110 Dabury Road Unit #9 | Ottawa Ontario | K2T 0C2

Project: Mixed Use Development  
 Commercial, Residential  
 1649 Montreal Road @ Blair Road

Drawing: Landscape Concept  
 Date: 2021  
 Scale: 1:200  
 City of Ottawa  
 Dwg - 18876  
 Sheet Number: L1

D07-12-22-0132