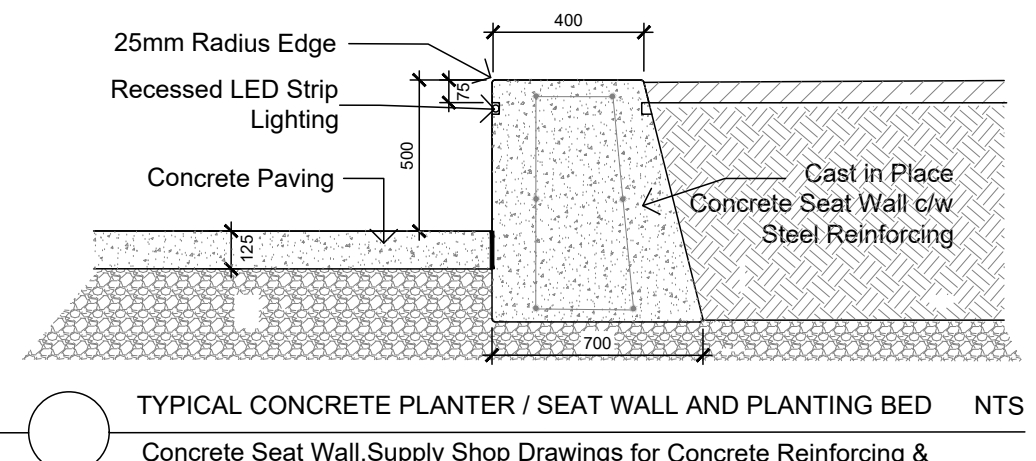
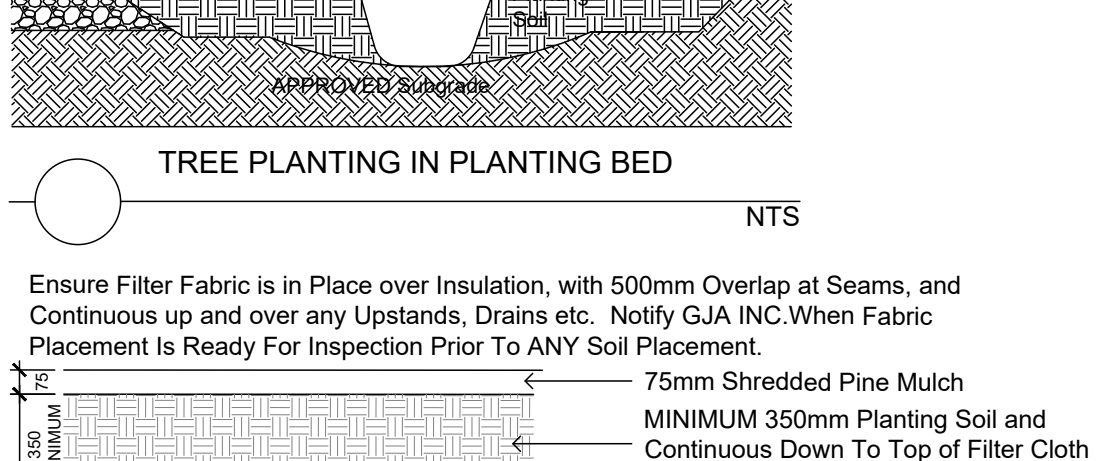
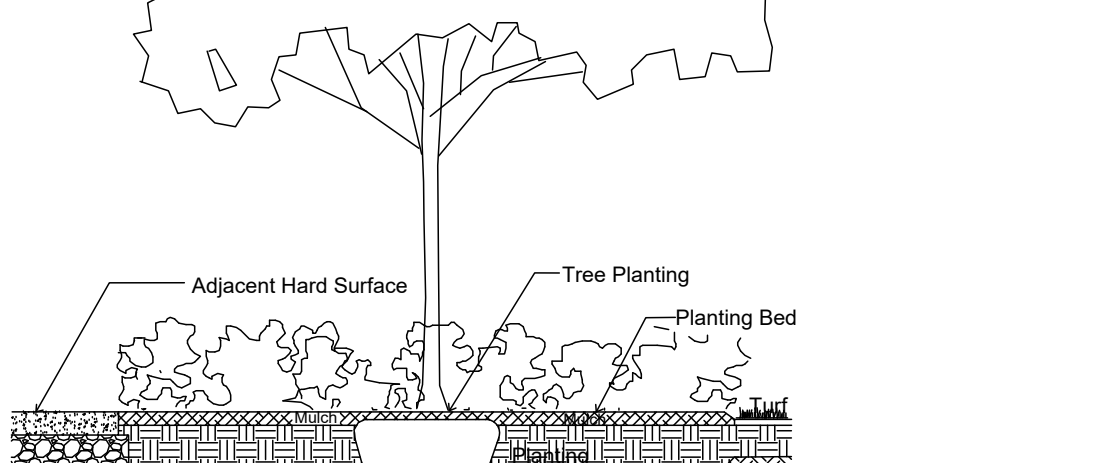
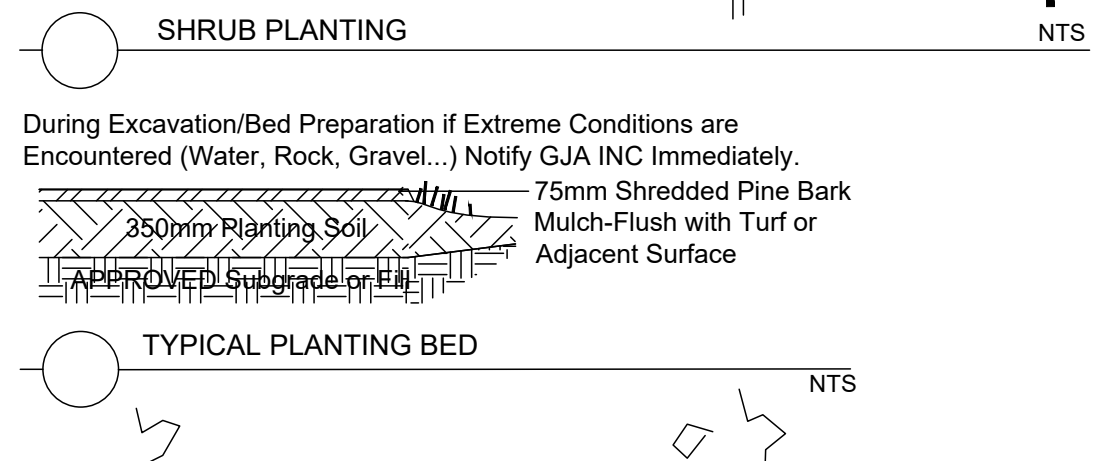
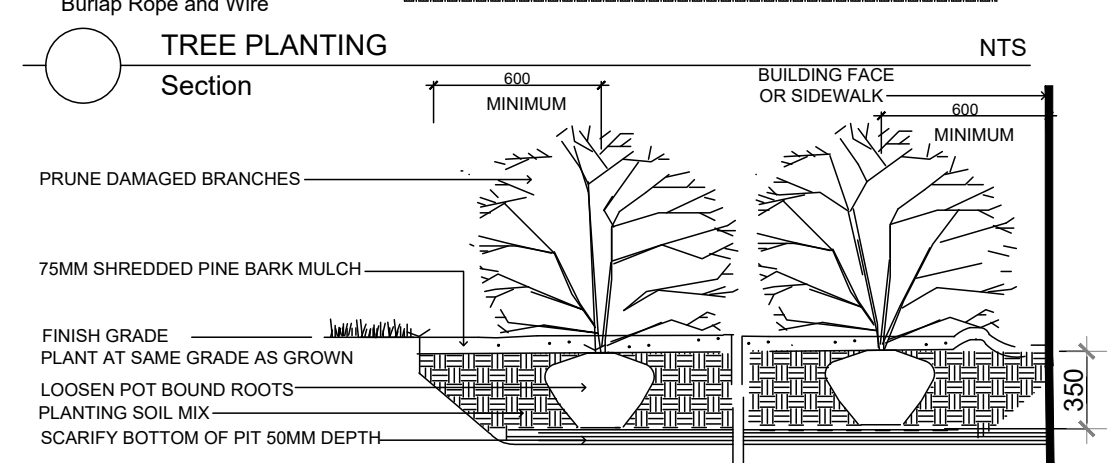
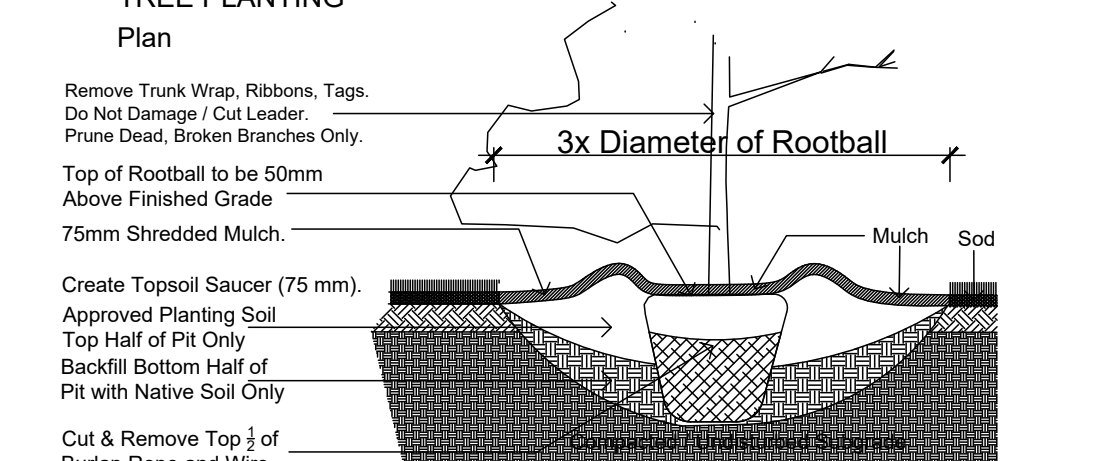
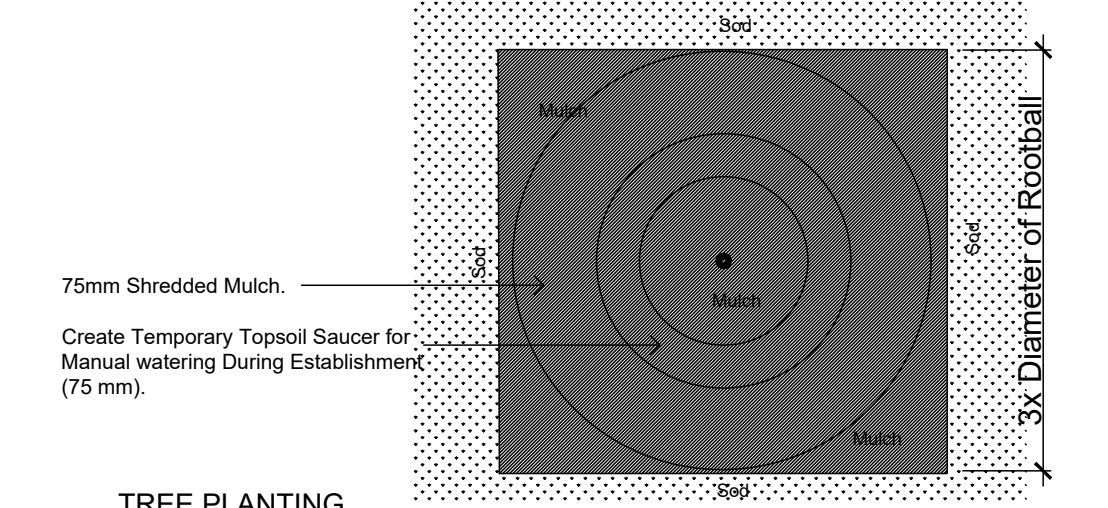
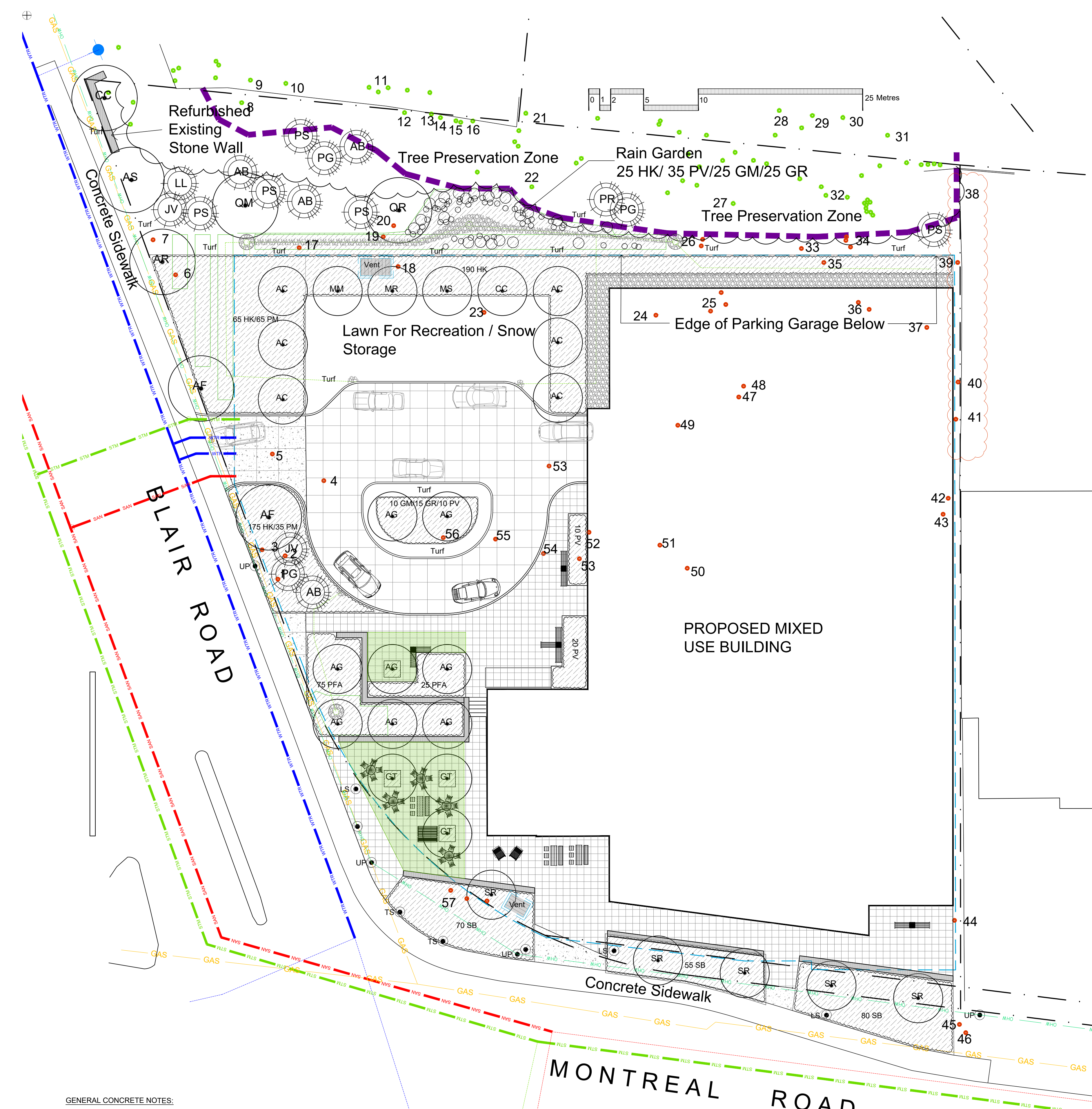
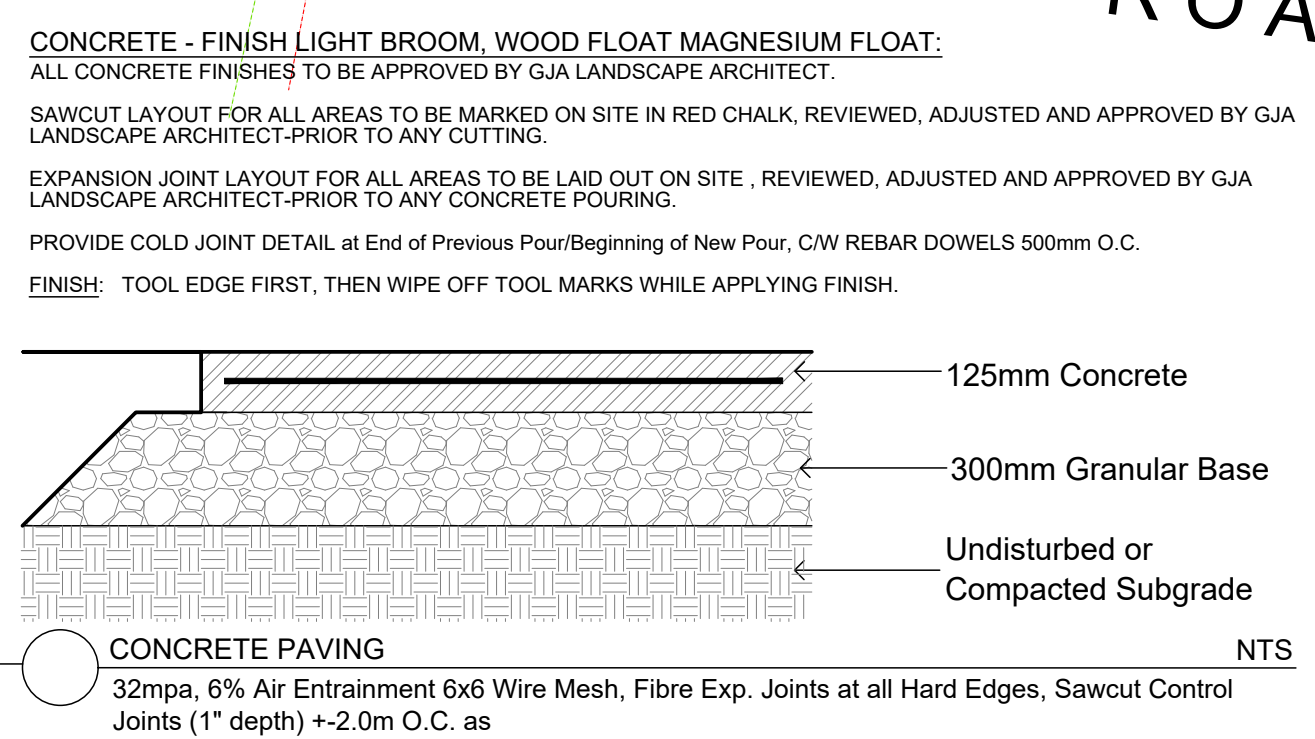
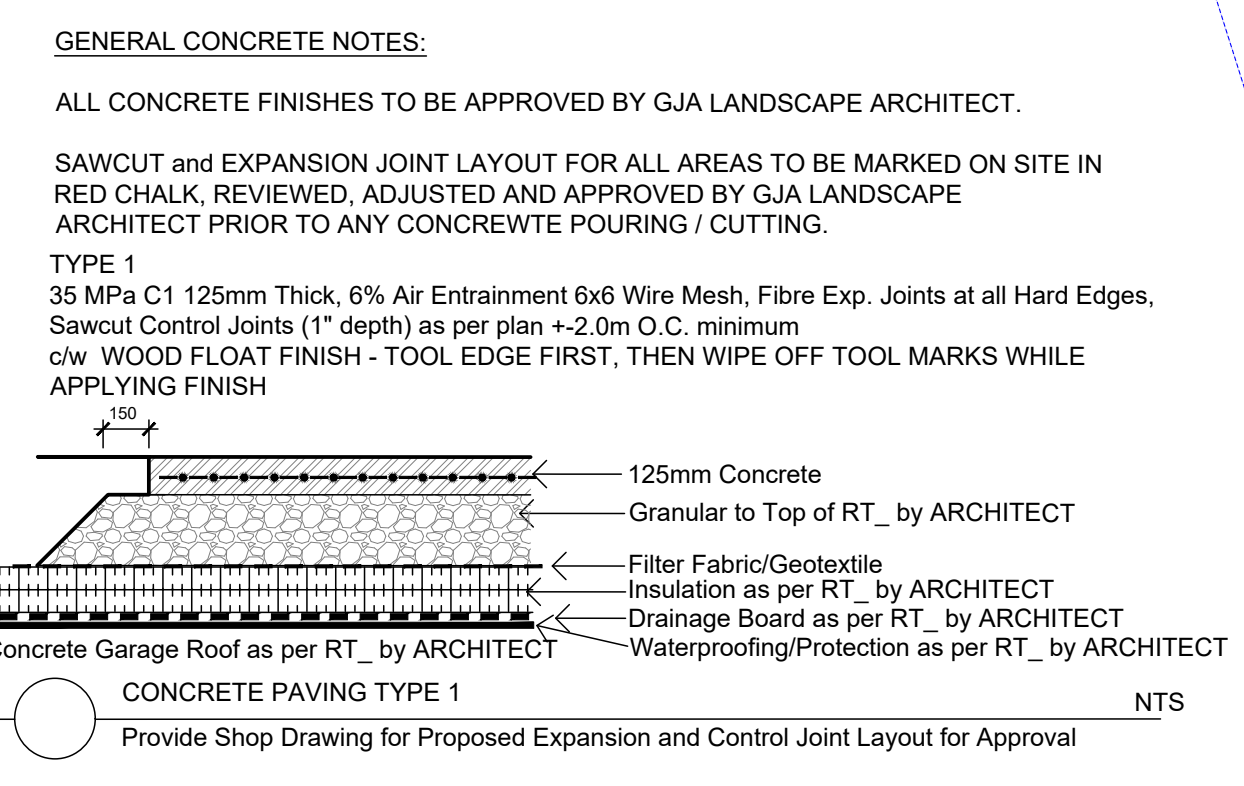


Drawing Remains the Property of/Copyright Reserved by Gino J. Aiello Landscape Architect. Do Not Use or Reproduce Without Approval of Gino J. Aiello.  
**NOT TO BE USED FOR CONSTRUCTION UNLESS** indicated by Revision: **"FOR LANDSCAPE CONSTRUCTION"**  
**Contractor is Responsible** for Verification of Site Locations of all Utilities. Report any Discrepancies Between Site and Drawing Immediately to Gino J. Aiello. Do NOT Proceed Until Clarified.

TURF AREAS TO BE SOD C/W 150MM DEPTH TOPSOIL ON APPROVED SUBGRADE | SOD TO BE #1 GRADE TURFGRASS NURSERY SOD per NSGA - Fine Fescue/Kentucky Bluegrass Sod | PLANTING MIX TO BE APPROVED BY LANDSCAPE ARCHITECT | PLANT MATERIAL TO MEET CNLA STANDARDS/BE APPROVED BY LANDSCAPE ARCHITECT PRIOR TO PLANTING | ALL MATERIALS & WORK TO BE MAINTAINED UNTIL FINAL ACCEPTANCE, (MOWING TURF, WEEDING BEDS, WATERING TURF & PLANTS) & INCLUDE 1 YEAR WARRANTY FROM DATE OF FINAL ACCEPTANCE | PROVIDE WATERING OF ALL PLANT MATERIAL AS REQUIRED FOR PROPER ESTABLISHMENT, UNTIL END OF WARRANTY PERIOD | REFER TO CIVIL ENGINEER'S DRAWING FOR ELEVATIONS / GRADING |  
 The Landscape Plan is to be read in conjunction with the grading, servicing, site and survey plan | Bare root material to be planted in season only | All plant material locations to be staked on site by the landscape contractor and checked by the landscape architect prior to planting | All trees to be preserved on or directly adjacent to the site will be protected | Plant material are to be installed a minimum of: 3.0m away from any part of any hydro transformer, 3.0m corridor between a fire hydrant and the curb, a 2.5m radius beside or behind a fire hydrant, 2.0m from any servicing/utility line or structure |



- EXISTING TREES REFER TO TCR BY IFS**
- 1 • TO REMAIN / PROTECT
  - 1 • TO BE REMOVED
- PROTECTION FENCE BEYOND CRZ**
- LANDSCAPE LEGEND - PROPOSED**
- DT Deciduous Tree
  - CT Coniferous Tree
  - Planting Bed
  - Shrub Planting Bed
  - Soil Cell
  - Riverwash
  - Stone/Filter Cloth
  - Precast Paving
  - Concrete Paving
  - Concrete Seat Wall
  - Parking Garage Below
  - Bike Rack Anchor to Concrete
  - Bench
  - Light Standard Base
  - Area Drain c/w Riverwash
- BELOW GRADE SERVICES REFER TO CIVIL /CUP**
- U/G Water Service
  - U/G Storm Service
  - U/G Sanitary Service
  - U/G Gas Service
  - U/G TelCo Service
  - U/G Hydro Service
  - O/H Hydro Service
  - Fire Hydrant
  - FD Siamese Connection
  - Catch Basin CB/Manhole



**TREES 1649 MONTREAL RD.**

| Code | Qty. | Botanical Name                  | Common Name                | Size     | Condition      |
|------|------|---------------------------------|----------------------------|----------|----------------|
| AC   | 6    | Amelanchier canadensis          | Serviceberry               | 50mm cal | B + B specimen |
| AF   | 2    | Acer x freemanii 'Autumn Blaze' | Autumn Blaze Freeman Maple | 70mm cal | B + B specimen |
| AG   | 8    | Aesculus glabra                 | Ohio Buckeye               | 60mm cal | B + B specimen |
| AR   | 1    | Acer rubrum                     | Red Maple                  | 70mm cal | B + B specimen |
| AS   | 1    | Acer saccharum                  | Sugar Maple                | 60mm cal | B + B specimen |
| CC   | 2    | Carpinus caroliniana            | Hornbeam Bluebeech         | 60mm cal | B + B specimen |
| Gtd  | 3    | Gleditsia triacanthos 'Draves'  | Street Keeper Locust       | 60mm cal | B + B specimen |
| MH   | 1    | Malus 'Harvest Gold'            | Harvest Gold Crabapple     | 60mm cal | B + B specimen |
| MR   | 1    | Malus 'Robinson'                | Robinson Crabapple         | 60mm cal | B + B specimen |
| MS   | 1    | Malus 'Sutyzam'                 | Sugar Tyme Crabapple       | 60mm cal | B + B specimen |
| QM   | 1    | Quercus macrocarpa              | Bur Oak                    | 70mm cal | B + B specimen |
| QR   | 1    | Quercus rubra                   | Red Oak                    | 60mm cal | B + B specimen |
| SR   | 5    | Syringa reticulata              | Japanese Tree Lilac        | 50mm cal | B + B specimen |

**SHRUBS 1649 MONTREAL RD.**

| Code | Qty. | Botanical Name                    | Common Name           | Size     | Condition |
|------|------|-----------------------------------|-----------------------|----------|-----------|
| HK   | 455  | Hypericum kalmianum               | St. John's Wort       | 30cm Ht. | Pot       |
| PFA  | 100  | Potentilla fruticosa 'Abbotswood' | Abbotswood Potentilla | 60cm Ht. | Pot       |
| SB   | 205  | Spiraea bumalda 'Dart's Red'      | Dart's Red Spirea     | 60cm Ht. | Pot       |

**GC 1649 MONTREAL RD.**

| Code | Qty. | Botanical Name                | Common Name      | Size     | Condition |
|------|------|-------------------------------|------------------|----------|-----------|
| GM   | 35   | Geranium macrorrhizum         | Bigroot Geranium | 9cm Pot  |           |
| GR   | 40   | Geranium psilostemon 'Gerwat' | Rozanne Geranium | 9cm Pot  |           |
| PV   | 75   | Panicum virgatum              | Switch Grass     | 9cm Pot  |           |
| PM   | 95   | Pinus mugo var. parvillo      | Mughho Pine      | 30cm spr | Pot       |

| No. | Revision                  | Date           |
|-----|---------------------------|----------------|
| 2   | FIRST SUBMISSION SPC1     | AUGUST 30 2022 |
| 1   | FOR REVIEW / COORDINATION | AUGUST 2022    |

Property Owner: Bertone Montreal Road LP  
 1285 Hodge, suite 200, St-Laurent, Quebec, H4N 2B6

Gino J. Aiello | landscape architect  
 GJA Inc.

Project: Mixed Use Development  
 Commercial, Residential  
 1649 Montreal Road @ Blair Road

Drawing: Landscape Concept

Date: 2021  
 Scale: 1:200  
 City of Ottawa  
 Dwg - #####

Sheet Number: L1