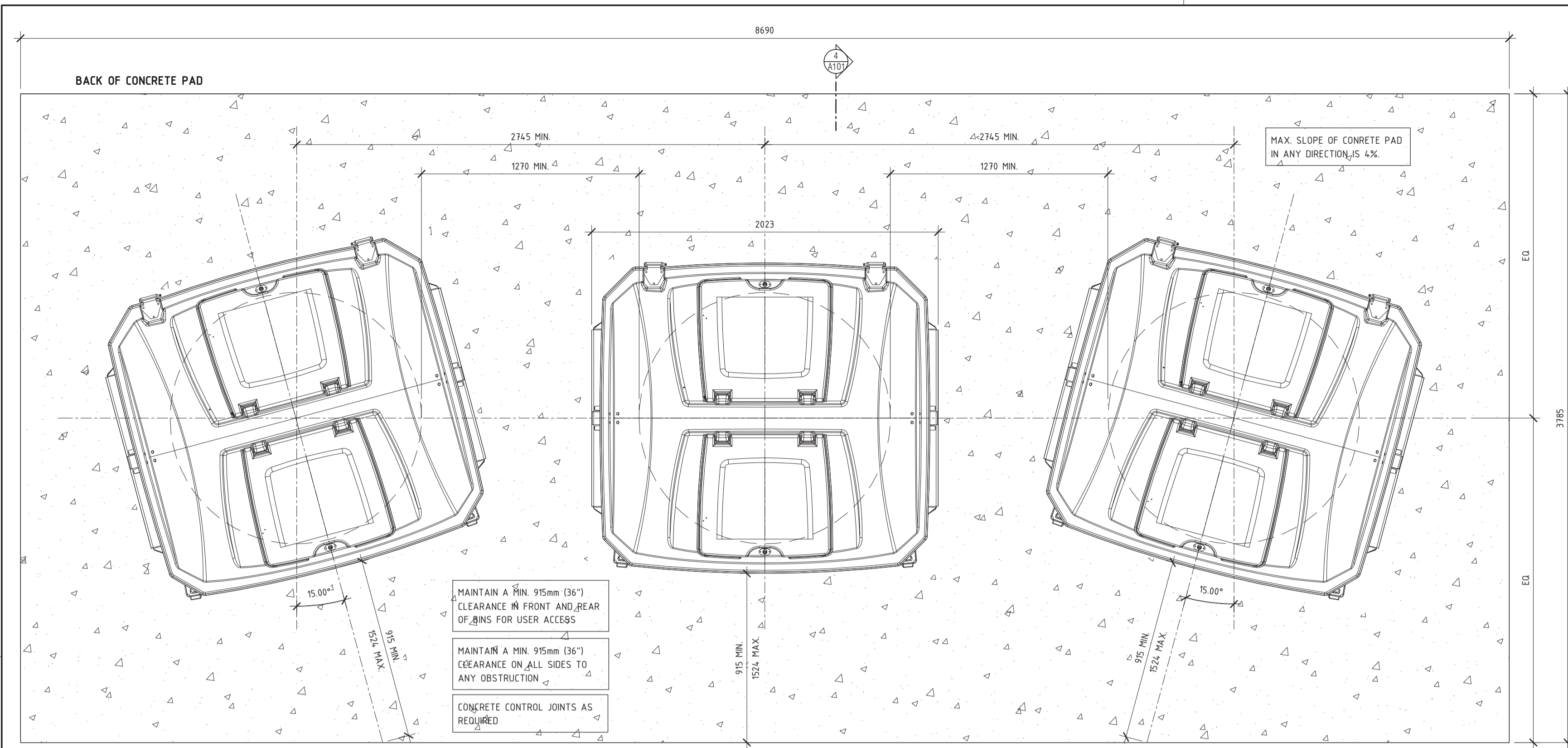


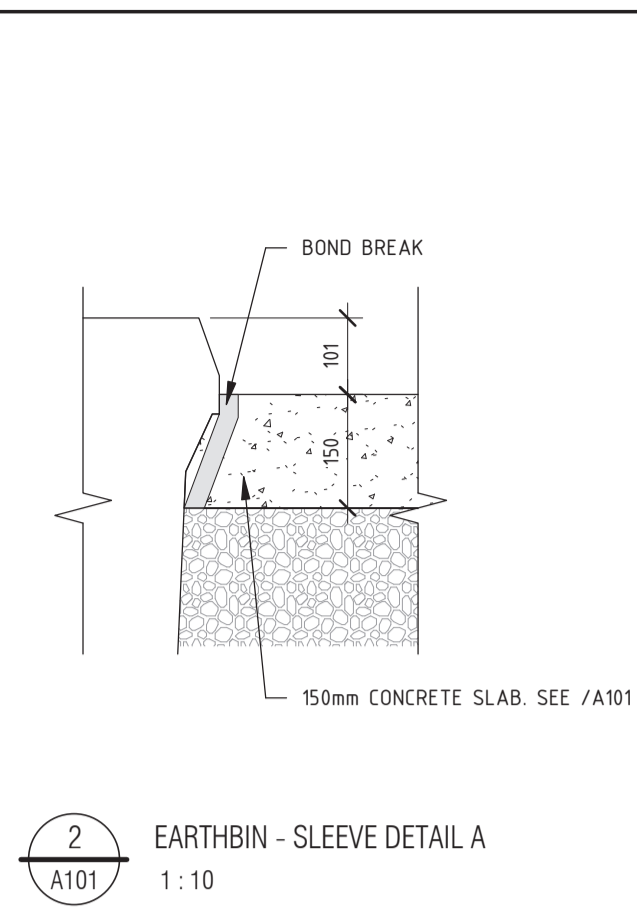


OTTAWA CATHOLIC SCHOOL BOARD

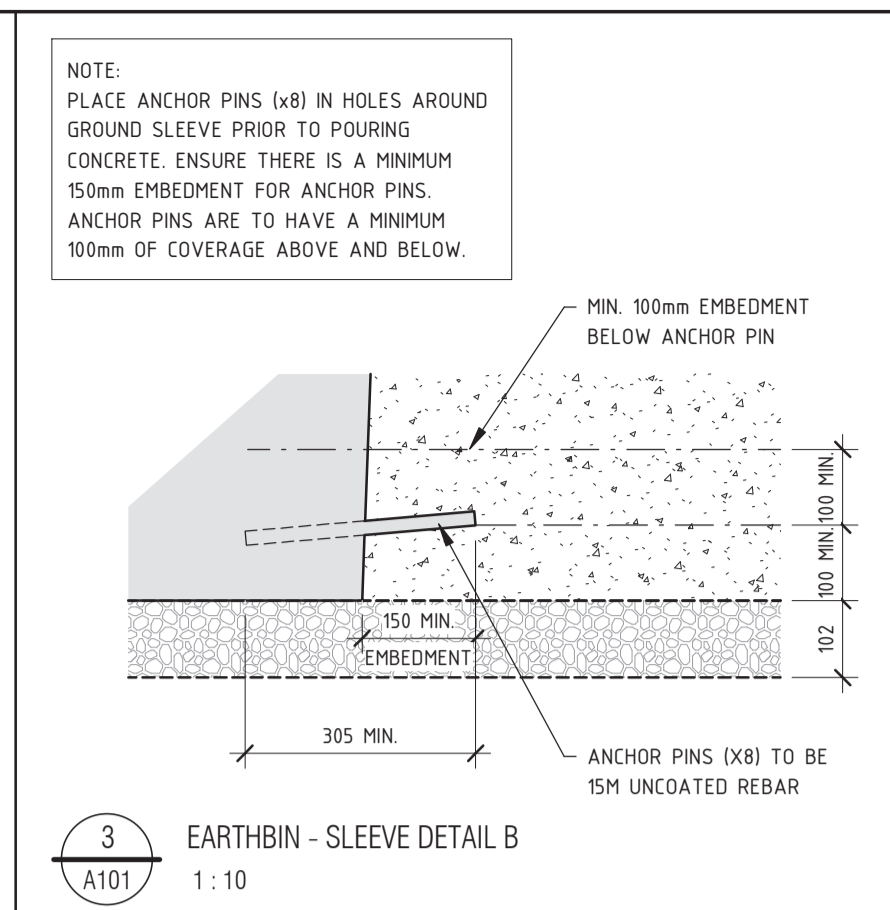
570 WEST HUNT CLUB, NEPEAN, ON. (613)-224-4455



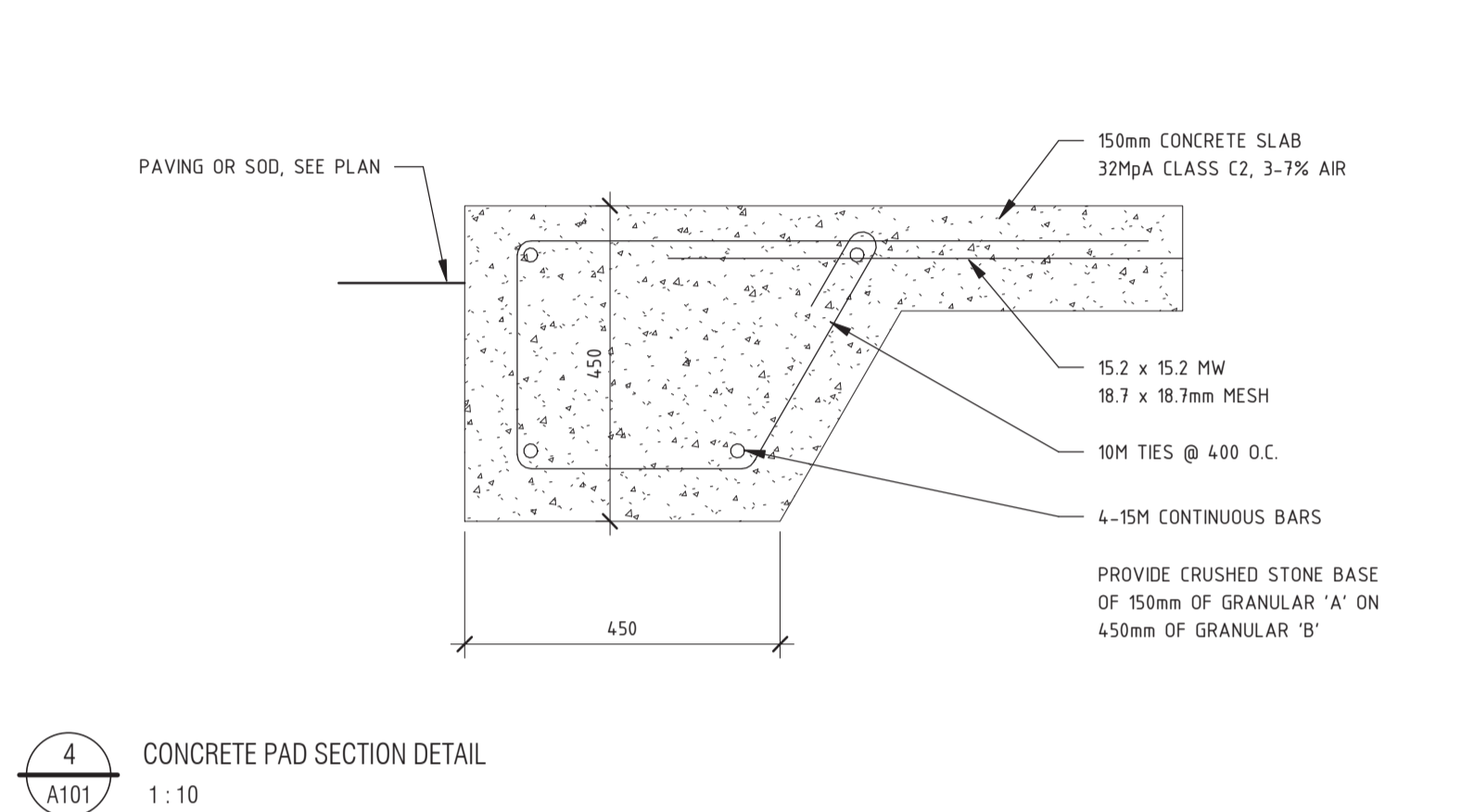
1 EARTHBIN - TYPICAL PLAN VIEW W/O BOLLARDS 1:20



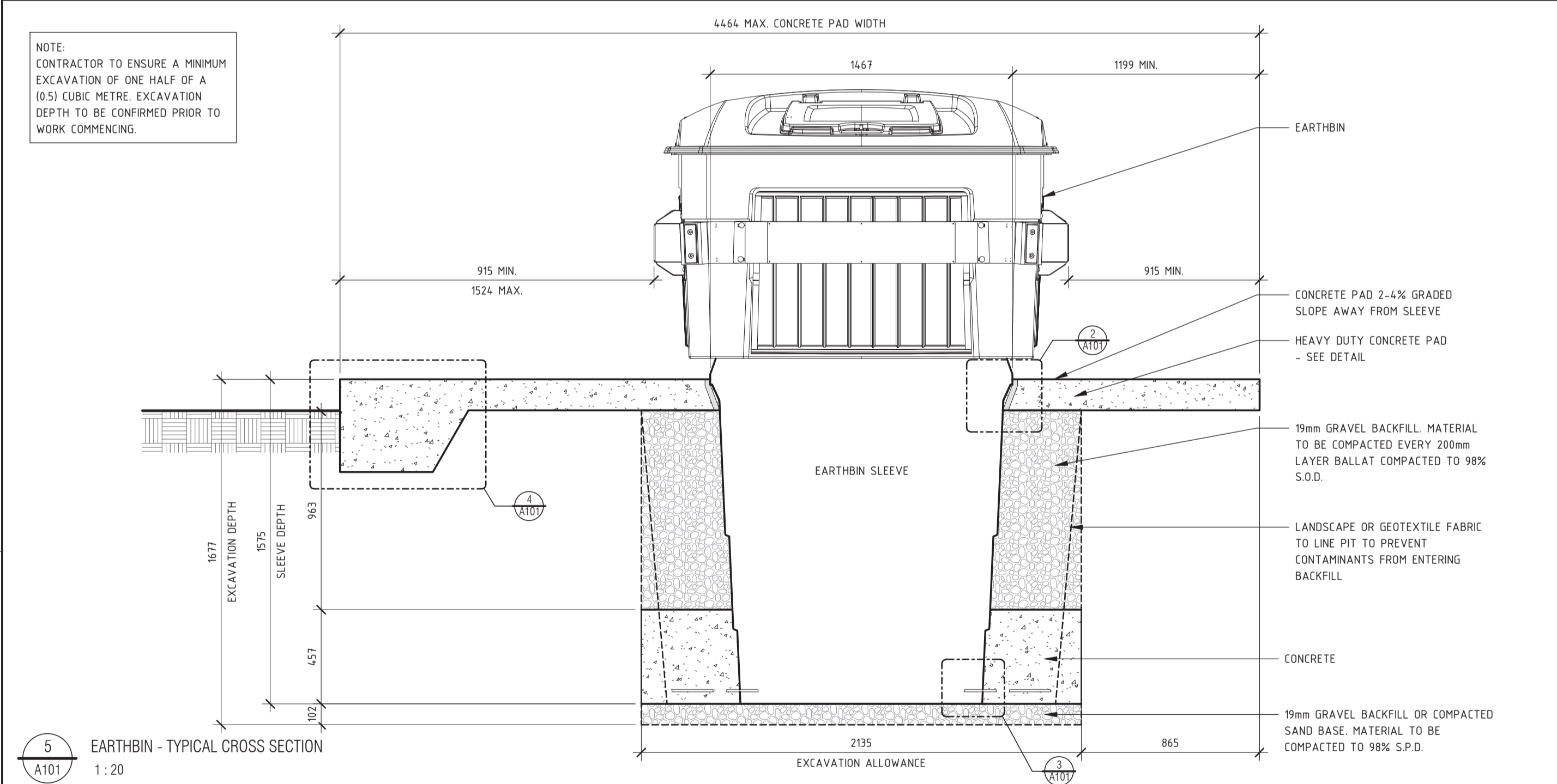
2 EARTHBIN - SLEEVE DETAIL A 1:10



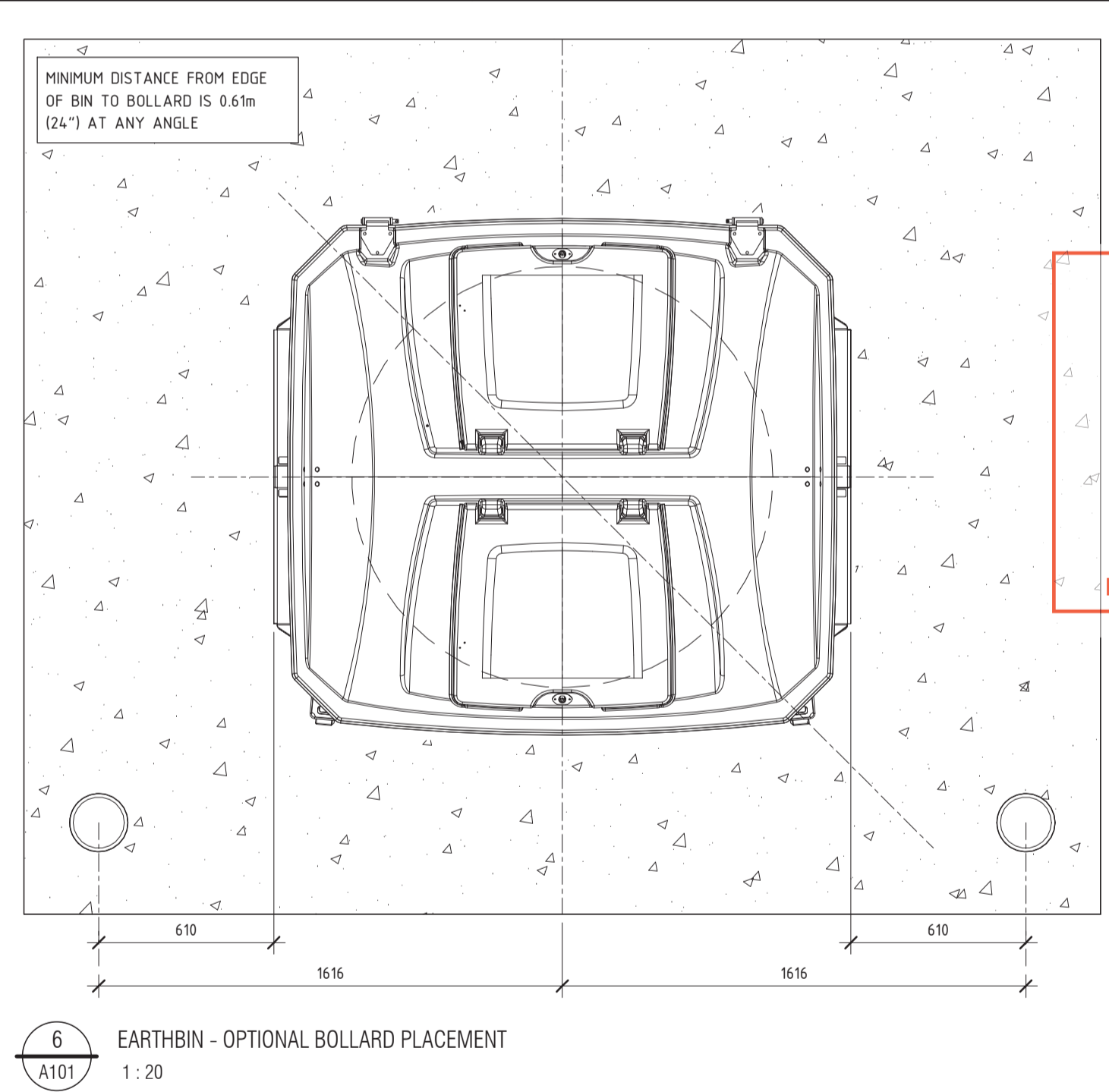
3 EARTHBIN - SLEEVE DETAIL B 1:10



4 CONCRETE PAD SECTION DETAIL 1:10

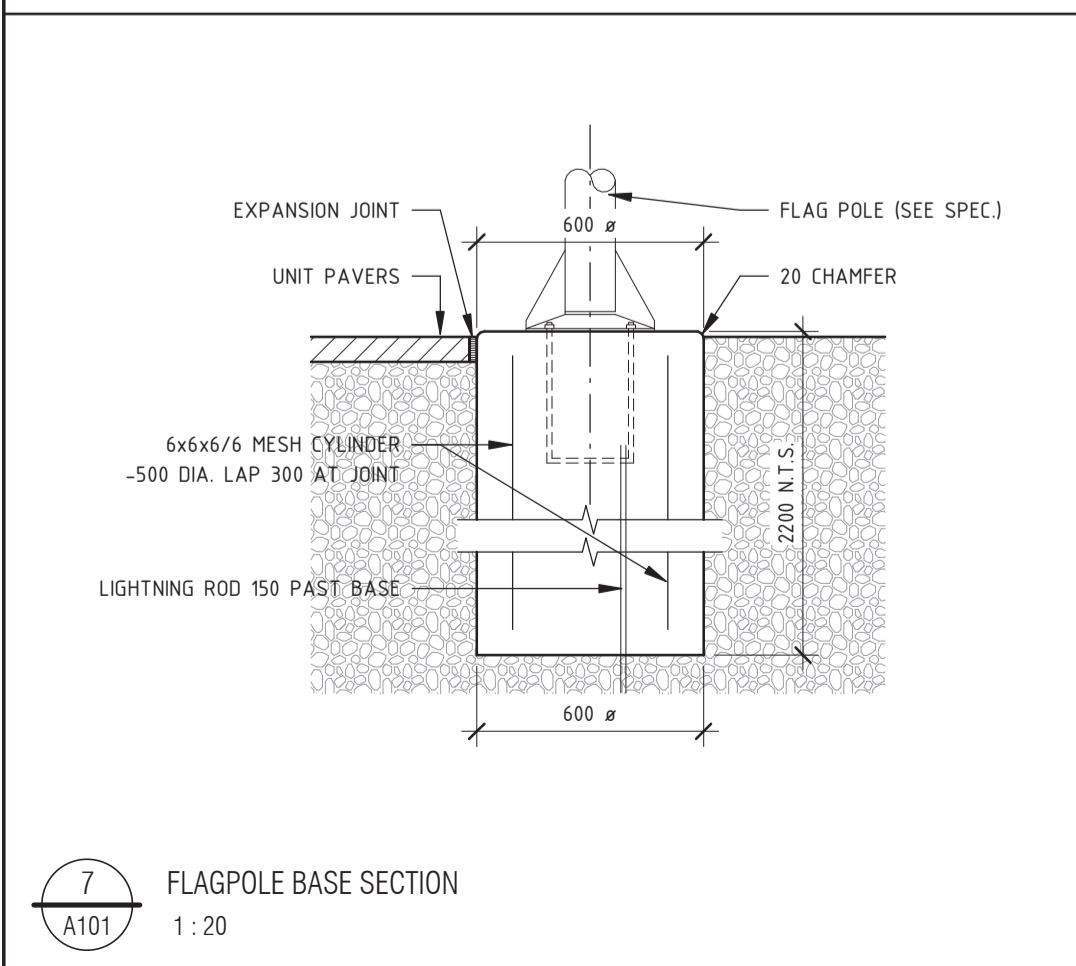


5 EARTHBIN - TYPICAL CROSS SECTION 1:20

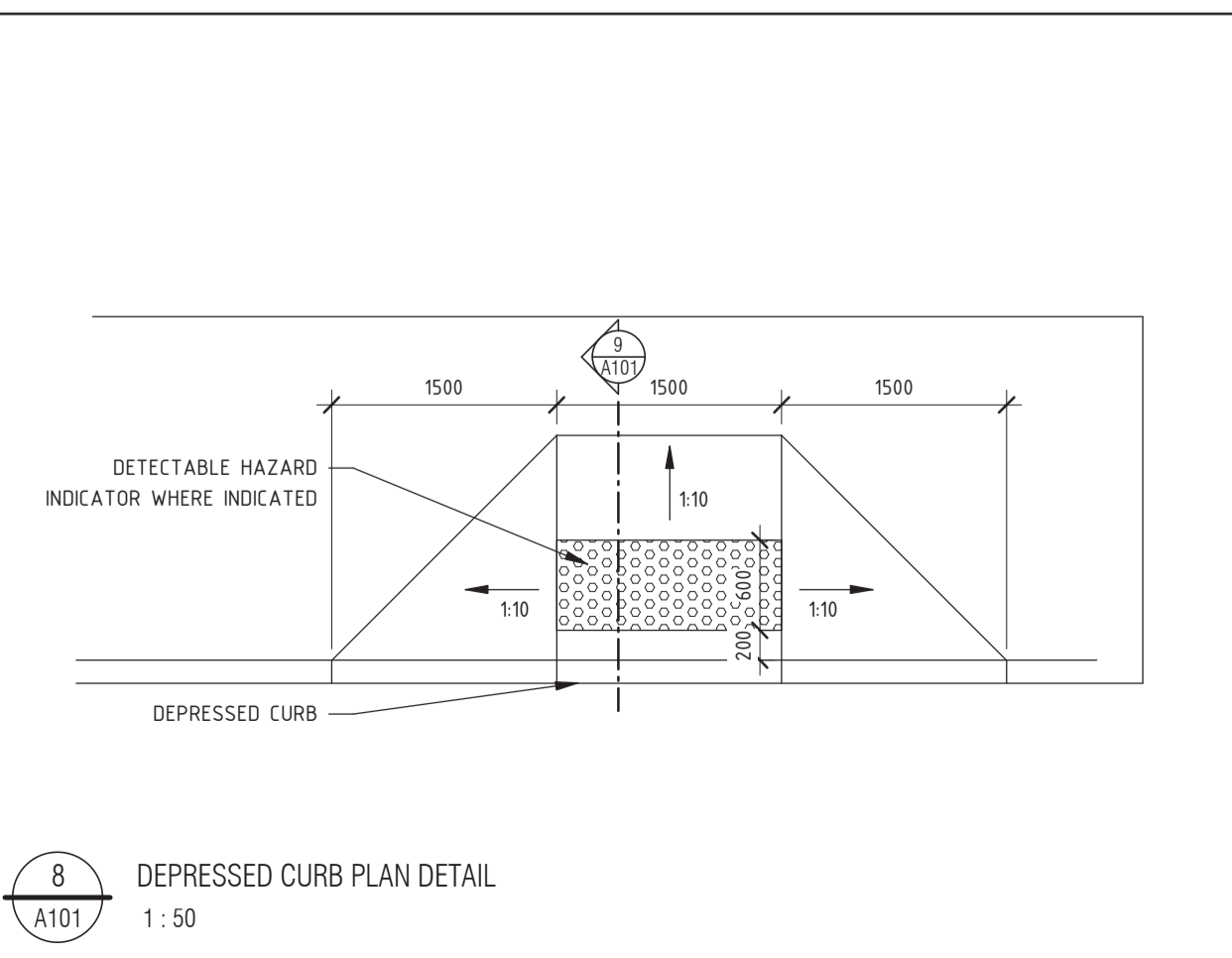


6 EARTHBIN - OPTIONAL BOLLARD PLACEMENT 1:20

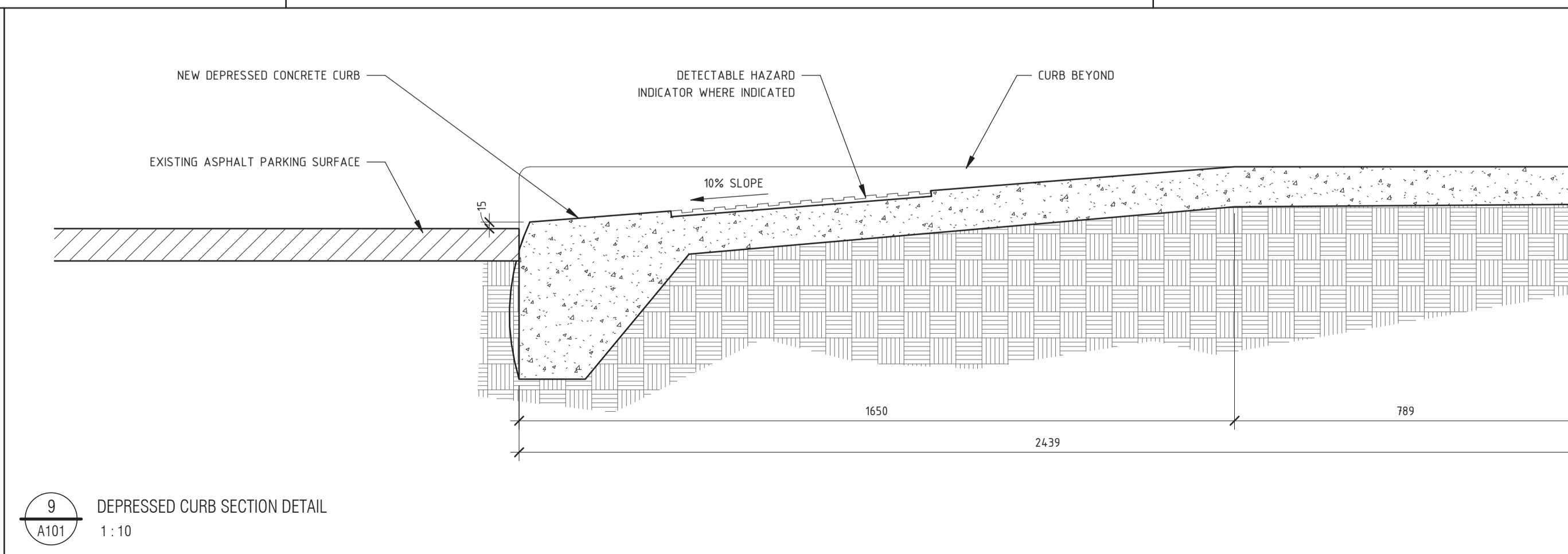
Signature of Lily Xu, MCIP, RPP, Manager, Development Review South Planning, Infrastructure & Economic Development Department, City of Ottawa. APPROVED By Lily Xu at 9:38 am, May 08, 2023



7 FLAGPOLE BASE SECTION 1:20



8 DEPRESSED CURB PLAN DETAIL 1:50



9 DEPRESSED CURB SECTION DETAIL 1:10

Revision table with columns for revision number, description, and date. Includes project information and professional seals.

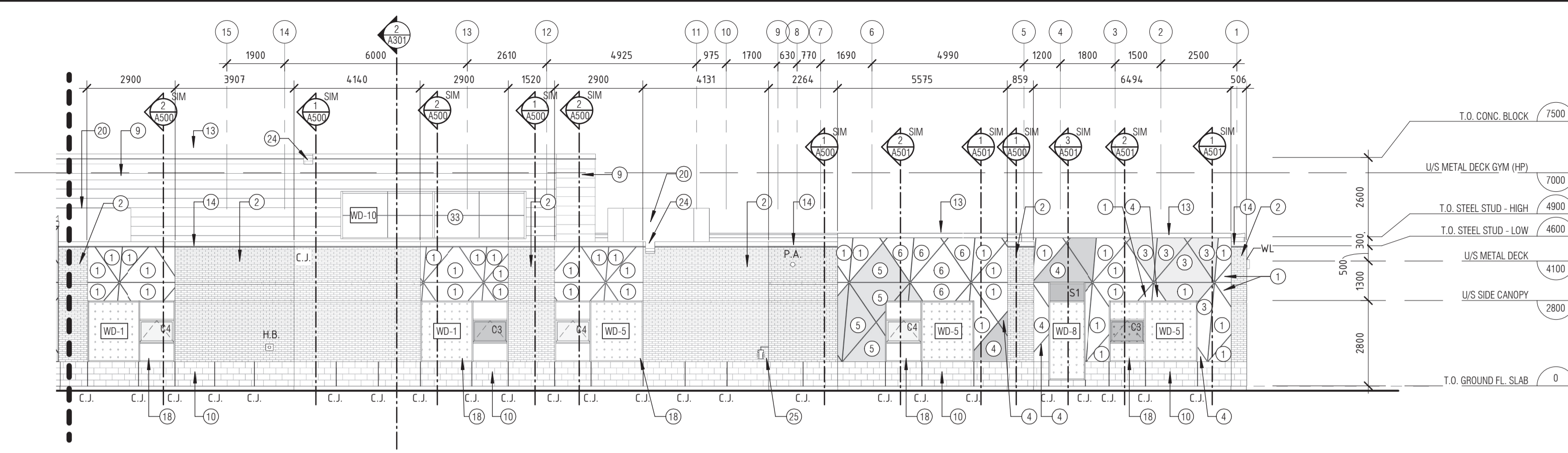
Project information including address (824 Meath St. Suite 200), phone number (613.724.7700), email (info@prty.ca), project name (OCSB RIVERSIDE SOUTH ELEMENTARY SCHOOL), drawing title (SITE DETAILS), and drawing number (A101).



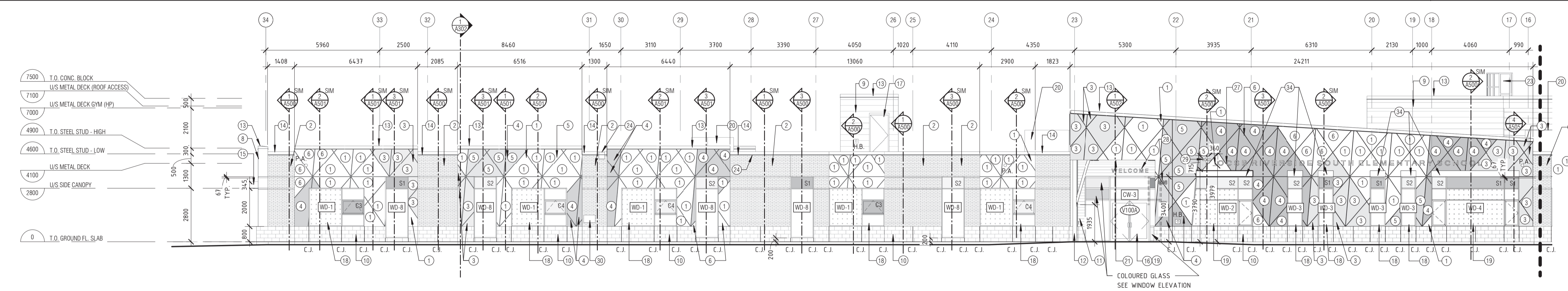
OTTAWA CATHOLIC SCHOOL BOARD
570 WEST HUNT CLUB, NEPEAN, ON. (613)-224-4455

- ELEVATION NOTES**
- HIGH PRESSURE LAMINATE - FINISH 1 (OFF-WHITE)
 - GREY BRICK - FINISH 2
 - HIGH PRESSURE LAMINATE - FINISH 3 (YELLOW)
 - HIGH PRESSURE LAMINATE - FINISH 4 (GREY)
 - HIGH PRESSURE LAMINATE - FINISH 5 (BLUE)
 - HIGH PRESSURE LAMINATE - FINISH 6 (LIME)
 - RESERVE
 - RESERVE (CASH ALLOWANCE)
 - PRE-FINISHED HORIZONTAL METAL CLADDING - FINISH 9
 - CONCRETE BLOCK - FINISH 10
 - ALUMINUM HORIZONTAL CLADDING - FINISH 11 (WOOD TEXTURE)
 - GALVANIZED STEEL COLUMN - FINISH 12
 - PRE-FINISHED METAL FLASHING - FINISH 13 (TO MATCH WHITE LAMINATE PANEL)
 - PRE-FINISHED METAL FLASHING - FINISH 14 (TO MATCH GREY BRICK)
 - HIGH PRESSURE LAMINATE - FINISH 15 (WHITE)
 - ALUMINUM ENTRANCE FRAMING
 - PRESSED STEEL FRAME (PAINTED) & HOLLOW METAL DOOR
 - ALUMINUM WINDOW FRAMING
 - ALUMINUM CURTAIN WALL FRAMING
 - ROOF TOP UNIT - SEE MECH.
 - ALUMINUM SOFFIT (WOOD TEXTURE)
 - RESERVE
 - ROOF ACCESS LADDER C/W CAGE
 - SCUPPER (PRE-FINISHED METAL)
 - GAS METER - SEE MECHANICAL
 - AIR INTAKE WALL BOX - SEE MECHANICAL
 - 300mm HT. CLEAR ANODIZED LETTERING - SEE CASH ALLOWANCE
 - 200mm HT. CLEAR ANODIZED LETTERING - SEE CASH ALLOWANCE
 - BACK LIT CROSS - SEE ELECTRICAL
 - ENCLOSURE FOR TEMPORARY GENERATOR OUTLET - SEE ELECTRICAL
 - LINE UP & SPACE EQUAL @ PENETRATION
 - INTAKE LOUVER - SEE MECH. COLOUR TO MATCH CEDAR WOOD FINISH
 - ALUMINUM FRAMING WITH TRANSPARENT GLAZING PANEL
 - STEEL SUN SHADE DETAIL

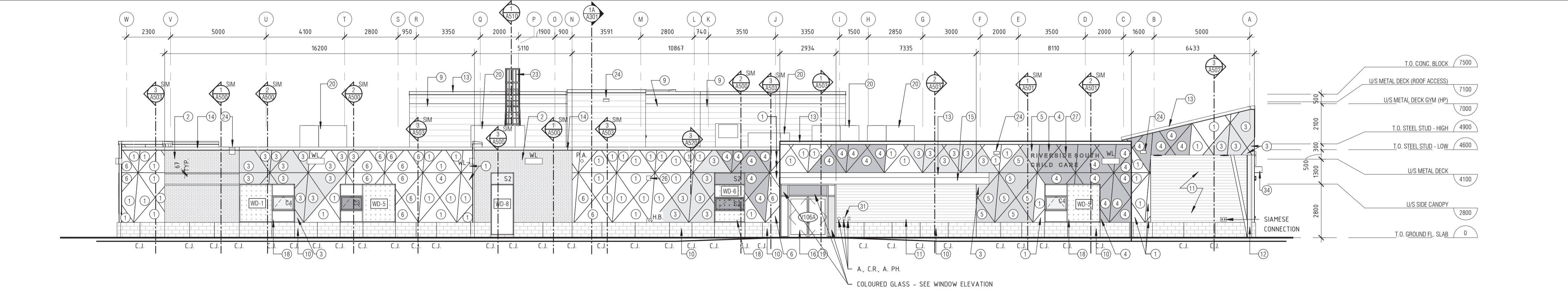
- ELEVATION LEGEND**
- WL WALL MOUNT LIGHT FIXTURE @ 3800mm
 - 25mm LAMINATE PANEL REVEAL (TYP.)
 - 67mm CONTINUOUS RECESSED BRICK BAND
 - S1 SPANDREL PANEL - COLOUR 1
 - S2 SPANDREL PANEL - COLOUR 2
 - C3 COLOURED GLASS 3 - SEE A802
 - C4 COLOURED GLASS 4 - SEE A802
 - C.J. CONTROL JOINT
-MAX. 6.1m @ BRICK
-MAX. 1.6m @ ARCH. BLOCK
 - P.A. P.A. HORN - SEE ELECT.
MOUNT @ 4000mm
 - H.B. HOSE BIB CONNECTION - SEE MECHANICAL
 - A. AUTO OPERATOR
 - C.R. CARD READER
 - A.P.H. AI PHONE
 - BIRD SAFE GLASS



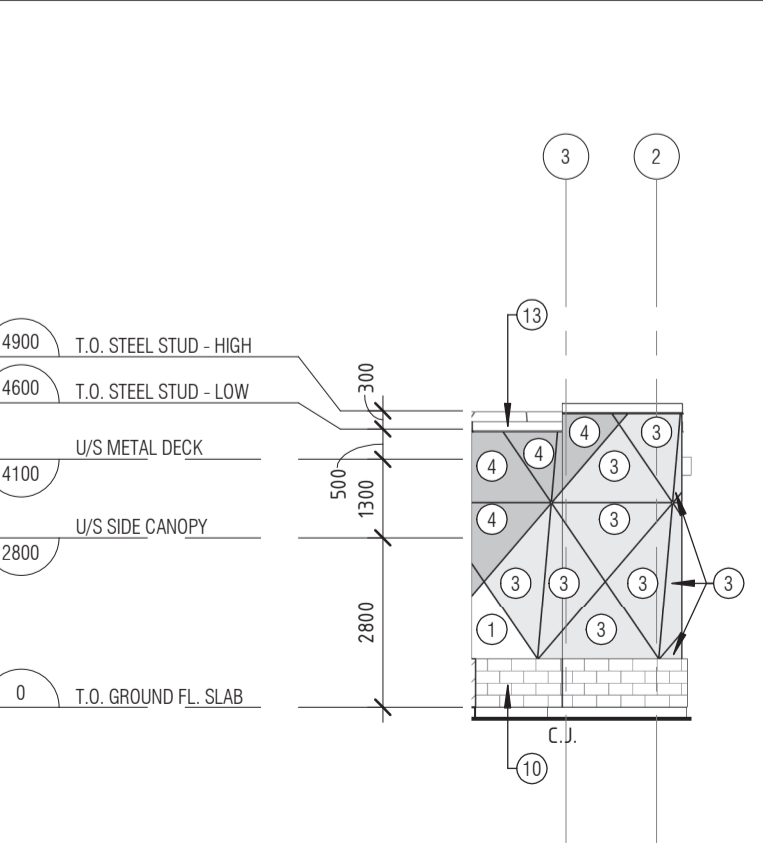
1A SOUTH ELEVATION-PART A
A201 1:125



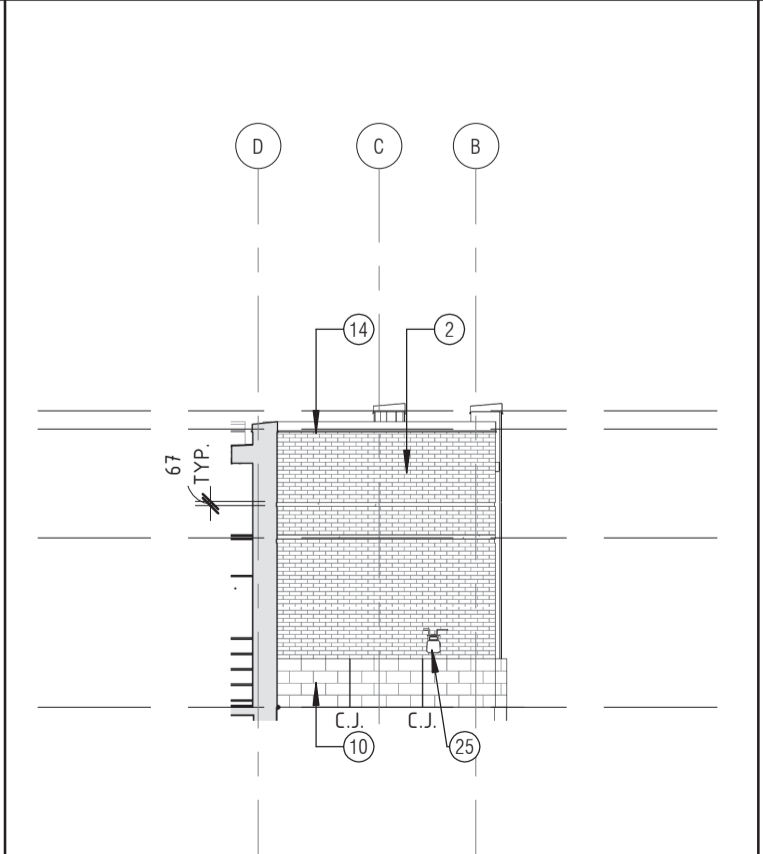
1B SOUTH ELEVATION-PART B
A201 1:125



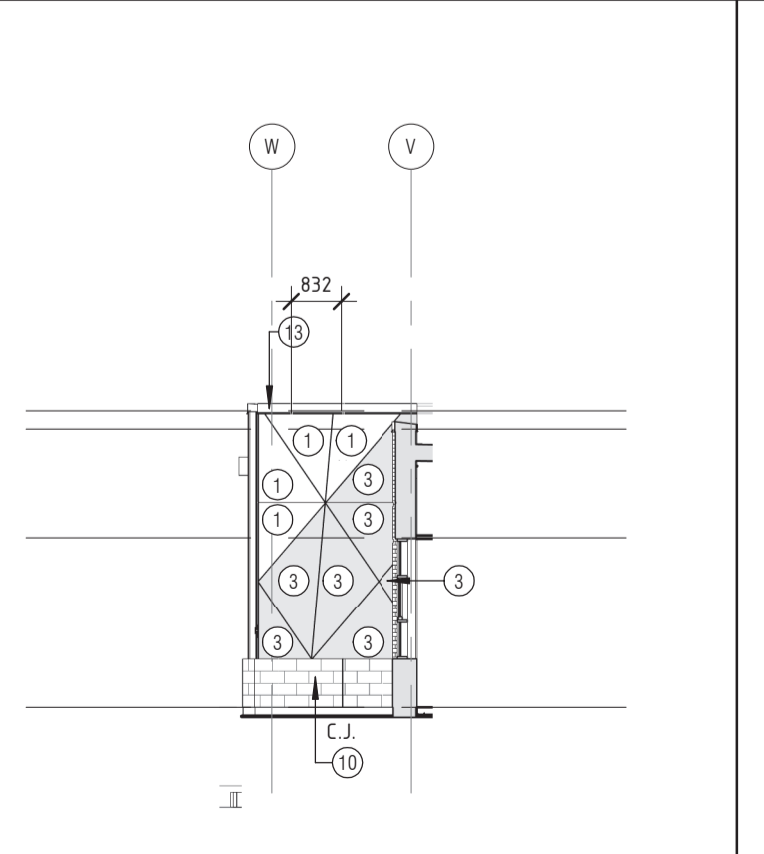
2 WEST ELEVATION
A201 1:125



3 PARTIAL SOUTH ELEVATION 1
A201 1:125



4 PARTIAL WEST ELEVATION 1
A201 1:125



1 PARTIAL WEST ELEVATION 2
A201 1:125

APPROVED
By Lily Xu at 9:37 am, May 08, 2023

Lily Xu
LILY XU, MCIP, RPP
MANAGER, DEVELOPMENT REVIEW SOUTH
PLANNING, INFRASTRUCTURE & ECONOMIC
DEVELOPMENT DEPARTMENT, CITY OF OTTAWA

REV	REVISION DESCRIPTION	DATE
4	ISSUED FOR SITE PLAN CONTROL REV 1	JAN/11/2022
3	ISSUED FOR PERMIT	DEC/14/2022
2	ISSUED FOR 85% REVIEW	OCT/21/2022
1	ISSUED FOR SITE PLAN CONTROL	OCT/07/2022

THIS DRAWING IS THE EXCLUSIVE PROPERTY OF PYE & RICHARDS - TEMPRANO & YOUNG ARCHITECTS INC. COPYRIGHT RESERVED

CONTRACTOR TO VERIFY ALL DIMENSIONS AND NOTIFY THE ARCHITECT OF ANY DIMENSIONAL ERRORS AND/OR POSSIBLE TRADE INTERFERENCE/CONFLICT FOR CLARIFICATION PRIOR TO COMMENCEMENT OF THE WORK. DO NOT SCALE DRAWINGS.

SEAL PROJECT NORTH

Not for construction unless SEALED and SIGNED

P R PYE & RICHARDS -
T Y TEMPRANO & YOUNG
ARCHITECTS INC.

824 Meath St. Suite 200 613. 724. 7700
Ottawa, ON K1Z 6E8 info@prty.ca

PROJECT
OCSB RIVERSIDE SOUTH ELEMENTARY
SCHOOL

836 SALARIUM AVENUE OTTAWA, ONTARIO

DRAWING
BUILDING ELEVATIONS

PROJECT NO. 22022 DRAWING NO.
SCALE - AS NOTED
DRAWN - YC, DL
CHECKED - IR
PLOT DATE - JAN/11/2023 PLOTTED BY -

A201

SHEET SIZE: A1

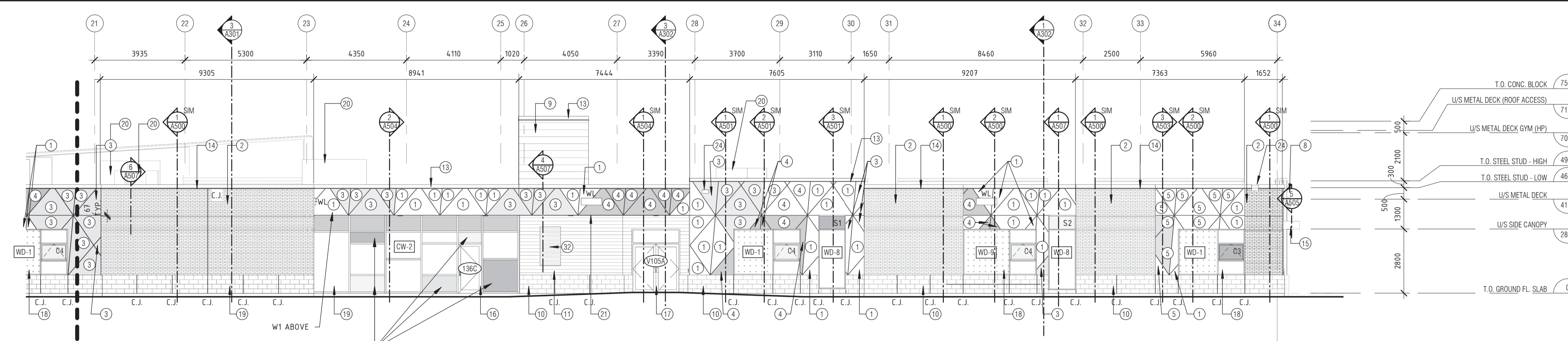


**OTTAWA
CATHOLIC
SCHOOL BOARD**

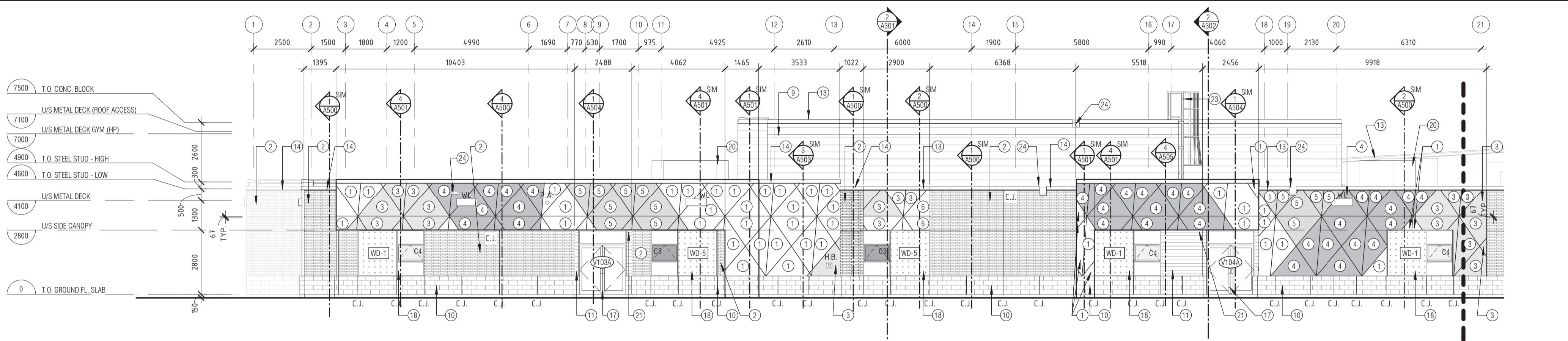
570 WEST HUNT CLUB, NEPEAN, ON. (613)-224-4455

ELEVATION NOTES

- ① HIGH PRESSURE LAMINATE - FINISH 1 (OFF-WHITE)
- ② GREY BRICK - FINISH 2
- ③ HIGH PRESSURE LAMINATE - FINISH 3 (YELLOW)
- ④ HIGH PRESSURE LAMINATE - FINISH 4 (GREY)
- ⑤ HIGH PRESSURE LAMINATE - FINISH 5 (BLUE)
- ⑥ HIGH PRESSURE LAMINATE - FINISH 6 (LIME)
- ⑦ RESERVE
- ⑧ SIGNAGE (CASH ALLOWANCE)
- ⑨ PRE-FINISHED HORIZONTAL METAL CLADDING - FINISH 9
- ⑩ CONCRETE BLOCK - FINISH 10
- ⑪ ALUMINUM HORIZONTAL CLADDING - FINISH 11 (WOOD TEXTURE)
- ⑫ GALVANIZED STEEL COLUMN - FINISH 12
- ⑬ PRE-FINISHED METAL FLASHING - FINISH 13 (TO MATCH WHITE LAMINATE PANEL)
- ⑭ PRE-FINISHED METAL FLASHING - FINISH 14 (TO MATCH GREY BRICK)
- ⑮ HIGH PRESSURE LAMINATE - FINISH 15 (WHITE)
- ⑯ ALUMINUM ENTRANCE FRAMING
- ⑰ PRESSED STEEL FRAME (PAINTED) & HOLLOW METAL DOOR
- ⑱ ALUMINUM WINDOW FRAMING
- ⑲ ALUMINUM CURTAIN WALL FRAMING
- ⑳ ROOF TOP UNIT - SEE MECH
- ㉑ ALUMINUM SOFFIT (WOOD TEXTURE)
- ㉒ RESERVE
- ㉓ ROOF ACCESS LADDER C/W CAGE
- ㉔ SCUPPER (PRE-FINISHED METAL)
- ㉕ GAS METER - SEE MECHANICAL
- ㉖ AIR INTAKE WALL BOX - SEE MECHANICAL
- ㉗ 300mm HT. CLEAR ANODIZED LETTERING - SEE CASH ALLOWANCE
- ㉘ 200mm HT. CLEAR ANODIZED LETTERING - SEE CASH ALLOWANCE @ 1000mm HT.
- ㉙ BACK LIT CROSS - SEE ELECTRICAL
- ㉚ ENCLOSURE FOR TEMPORARY GENERATOR OUTLET - SEE ELECTRICAL SPRAY FOAM & CAULK @ PENETRATION
- ㉛ LINE UP & SPACE EQUAL @ ALPHABET, CARD READER & AUTO DOOR OPERATOR @ 1000mm HT.
- ㉜ INTAKE LOUVER - SEE MECH. COLOUR TO MATCH CEDAR WOOD FINISH.
- ㉝ ALUMINUM FRAMING WITH TRANSLUCENT GLAZING PANEL
- ㉞ STEEL SUN SHADE DETAIL

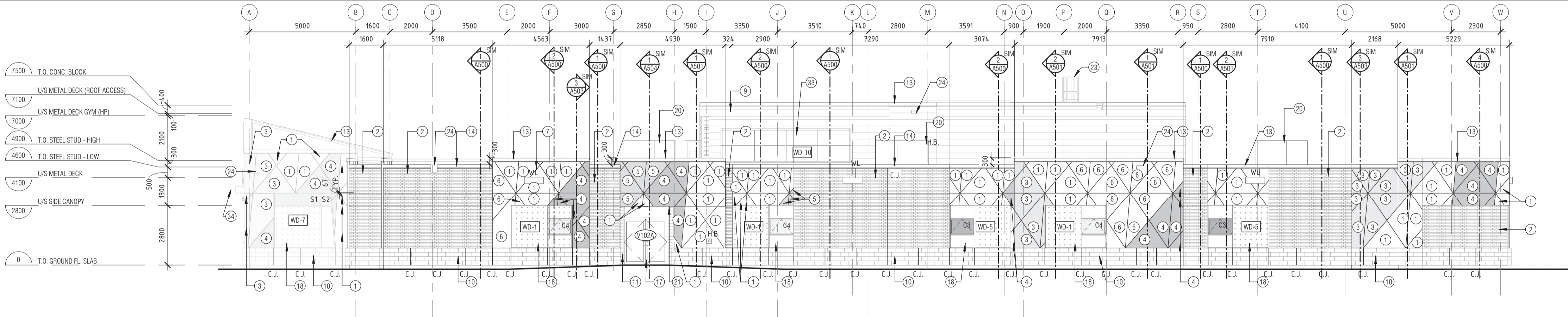


1A NORTH ELEVATION-PART A
A202
1:125

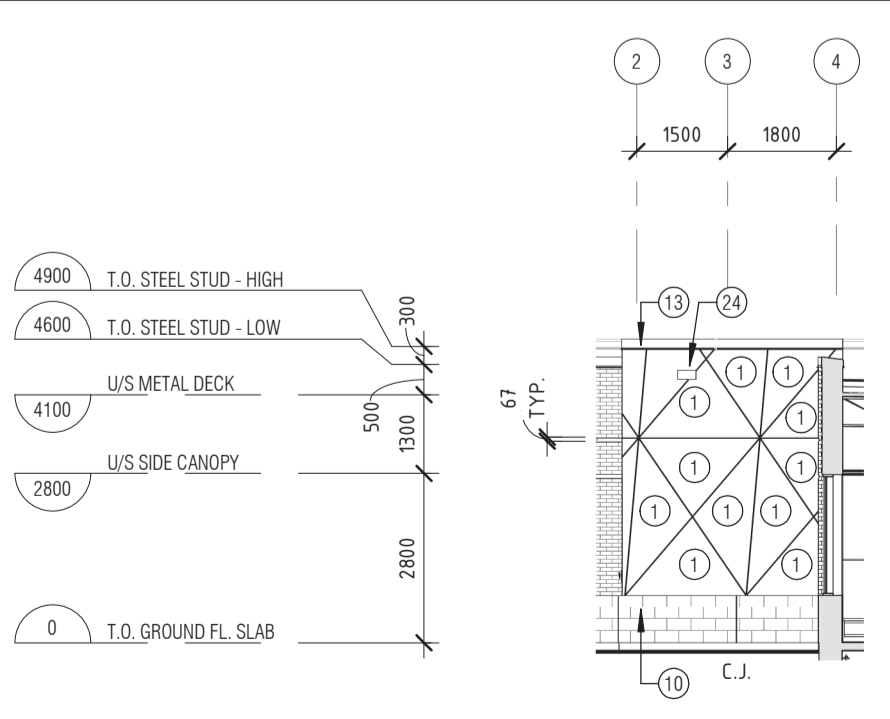


1B NORTH ELEVATION-PART B
A202
1:125

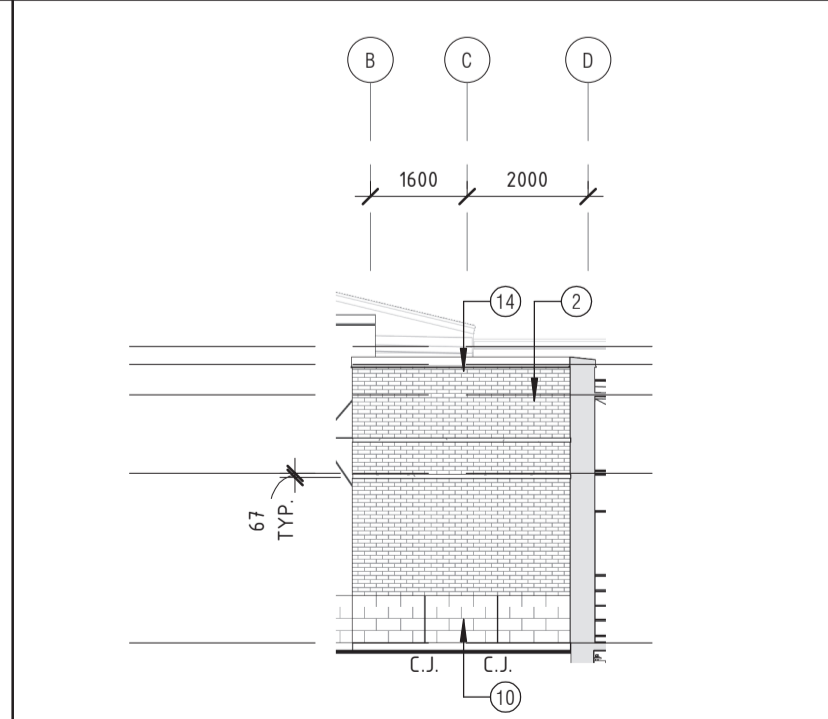
- ELEVATION LEGEND**
- WL WALL MOUNT LIGHT FIXTURE @ 3800mm
 - 25mm LAMINATE PANEL REVEAL (TYP.)
 - 67mm CONTINUOUS RECESSED BRICK BAND
 - S1 SPANDREL PANEL - COLOUR 1
 - S2 SPANDREL PANEL - COLOUR 2
 - C3 COLOURED GLASS 3 - SEE A802
 - C4 COLOURED GLASS 4 - SEE A802
 - C.J. CONTROL JOINT
-MAX. 6m @ BRICK
-MAX. 1.6m @ ARCH. BLOCK
 - P.A. P.A. HORN - SEE ELECT.
MOUNT @ 4000mm
 - H.B. HOSE BIB CONNECTION - SEE MECHANICAL
 - A. AUTO OPERATOR
 - C.R. CARD READER
 - A.P.H. AI PHONE
 - BIRD SAFE GLASS



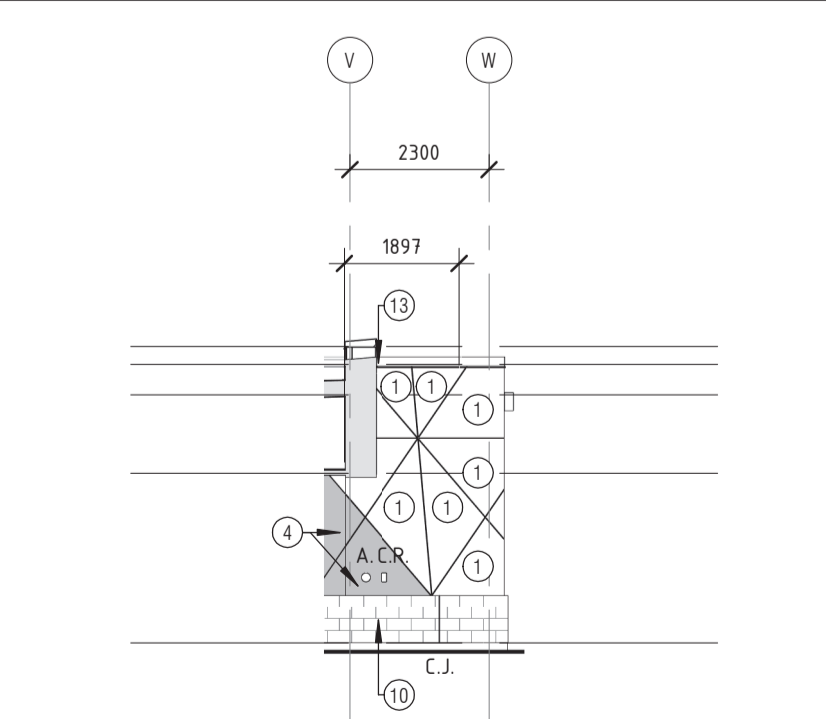
2 EAST ELEVATION
A202
1:125



3 PARTIAL NORTH ELEVATION 1
A202
1:125



1 PARTIAL EAST ELEVATION 1
A202
1:125



4 PARTIAL EAST ELEVATION 2
A202
1:125

Lily Xu
LILY XU, MCIP, RPP
MANAGER, DEVELOPMENT REVIEW SOUTH
PLANNING, INFRASTRUCTURE & ECONOMIC
DEVELOPMENT DEPARTMENT, CITY OF OTTAWA

APPROVED
By Lily Xu at 9:37 am, May 08, 2023

REV	REVISION DESCRIPTION	DATE
4	ISSUED FOR SITE PLAN CONTROL REV 1	JAN/11/2022
3	ISSUED FOR PERMIT	DEC/14/2022
2	ISSUED FOR 85% REVIEW	OCT/21/2022
1	ISSUED FOR SITE PLAN CONTROL	OCT/07/2022

THIS DRAWING IS THE EXCLUSIVE PROPERTY OF P&R ARCHITECTS INC. COPYRIGHT RESERVED
CONTRACTOR TO VERIFY ALL DIMENSIONS AND NOTIFY THE ARCHITECT OF ANY DIMENSIONAL ERRORS AND/OR POSSIBLE TRADE INTERFERENCE/CONFLICT FOR CLARIFICATION PRIOR TO COMMENCEMENT OF THE WORK. DO NOT SCALE DRAWINGS.

SEAL

PROJECT NORTH

P R PYE & RICHARDS -
T Y TEMPRANO & YOUNG
ARCHITECTS INC.

824 Meath St. Suite 200
Ottawa, ON K1Z 6E8

613. 724. 7700
info@prty.ca

PROJECT
OCSB RIVERSIDE SOUTH ELEMENTARY
SCHOOL

836 SOLARIUM AVENUE
OTTAWA, ONTARIO

DRAWING
BUILDING ELEVATIONS

PROJECT NO.	22022	DRAWING NO.	A202
SCALE	AS NOTED		
DRAWN	YC, DL		
CHECKED	IR		
PLOT DATE	JAN/11/2023	PLOTTED BY	

PLOT SCALE - 1:1

SHEET SIZE: A1