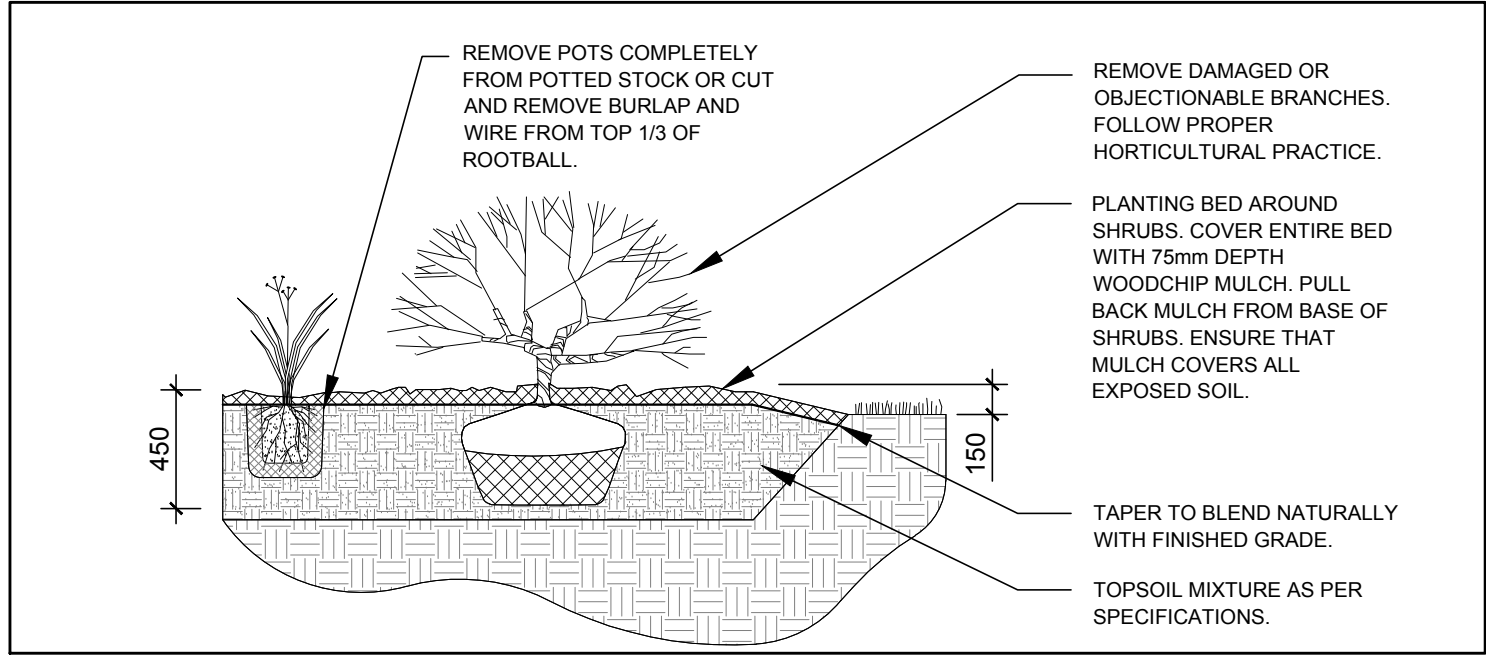
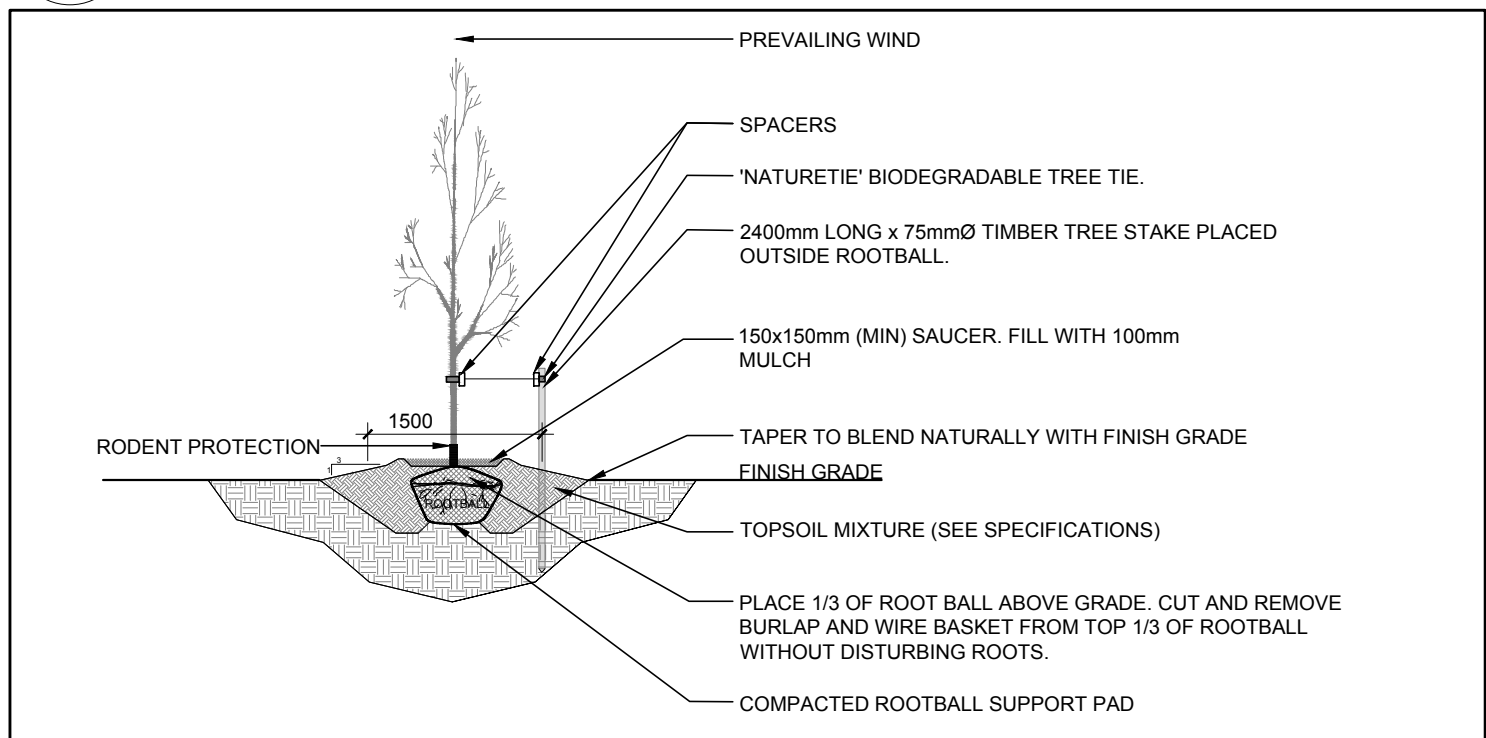


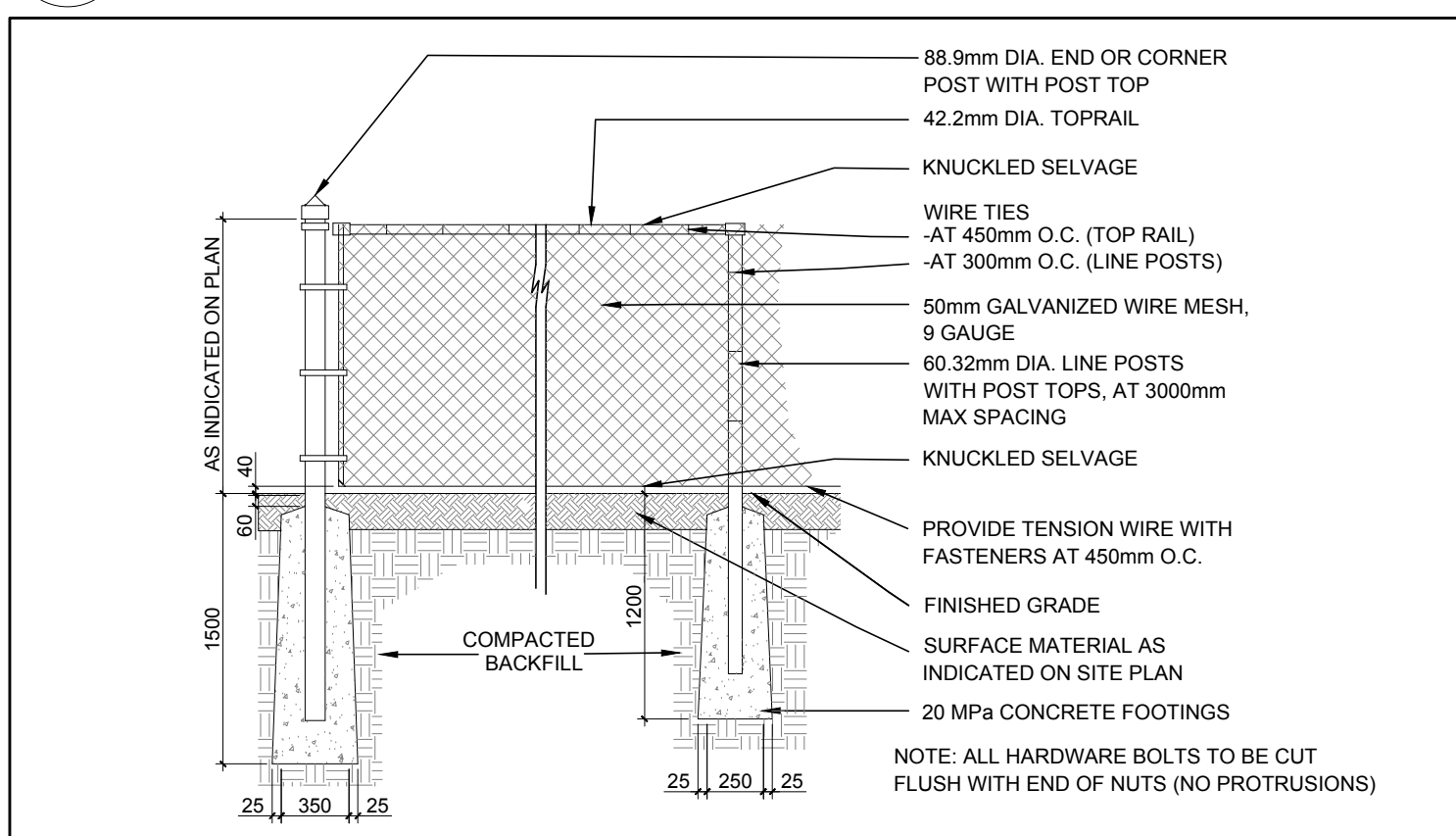
- GENERAL NOTES:**
- It is the responsibility of the appropriate contractor or official to report any errors, omissions or discrepancies on this plan with actual site conditions to the Landscape Architect before proceeding with construction.
 - The contractor is to notify all utility companies and authorities prior to any excavation and ascertain locations of underground services.
 - The contractor is to reinstall all areas and items damaged as a result of construction activity.
 - The contractor is to comply with all pertinent codes and by-laws.
 - The contractor is to maintain a positive surface run-off throughout the entire construction period.
 - The Landscape Architect is not responsible for subsurface conditions.
 - The contractor is to identify all existing trees to remain on site with the Landscape Architect prior to construction.
 - The contractor is to stake the proposed location of all plant material in conjunction with the Landscape Architect prior to excavation.
 - Minimum distances for selected deciduous trees are as follows:
 - Building Foundations 4.5m medium trees,
 - 7.5m large trees
 - Public Streets 2.5m
 - Underground Infrastructure 2.0m
 - All trees within 1m of underground utility trenches are to be excavated by hand.
 - Remove all protective wrapping from tree trunks after installation.
 - Staking of trees shall only be performed if necessary.
 - Ensure that mulch is pulled back a min. distance of 75mm from base of tree trunk.



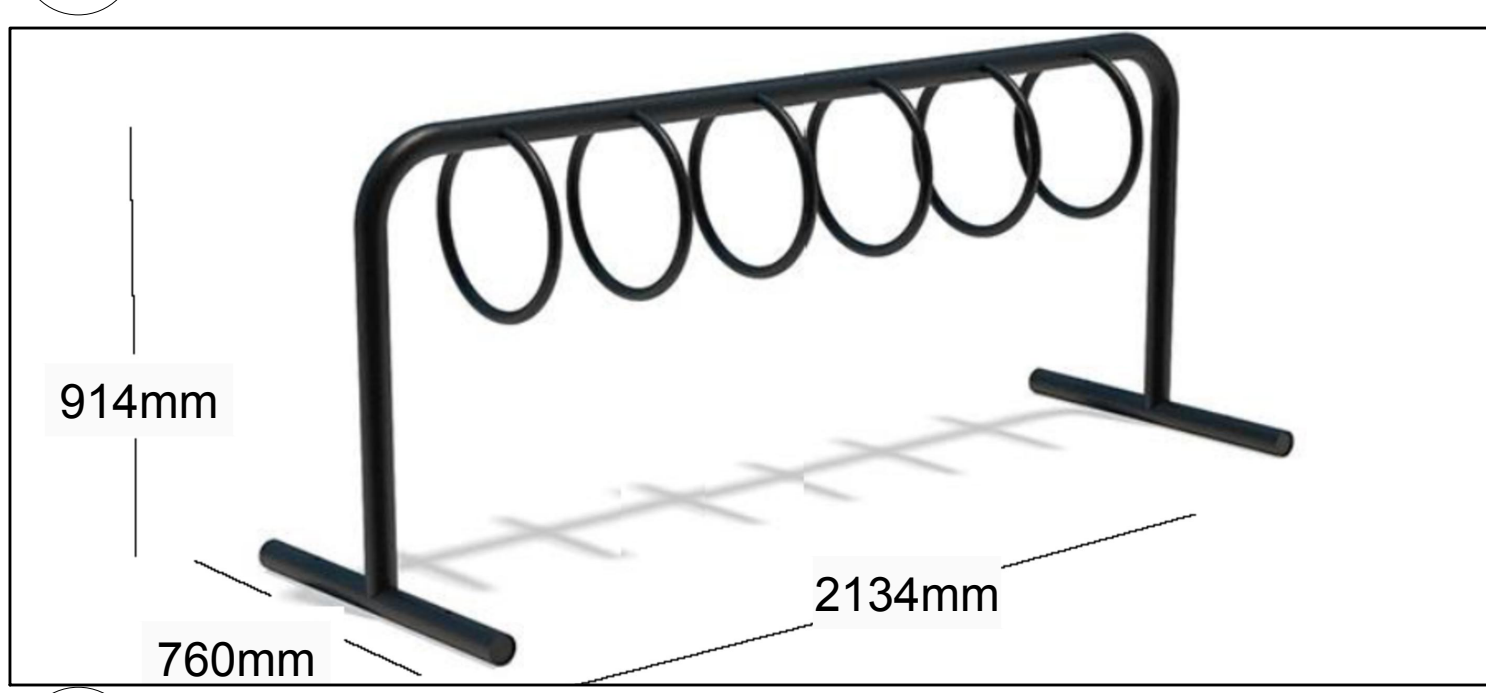
5 SHRUB / PERENNIAL PLANTING
SCALE: N.T.S.



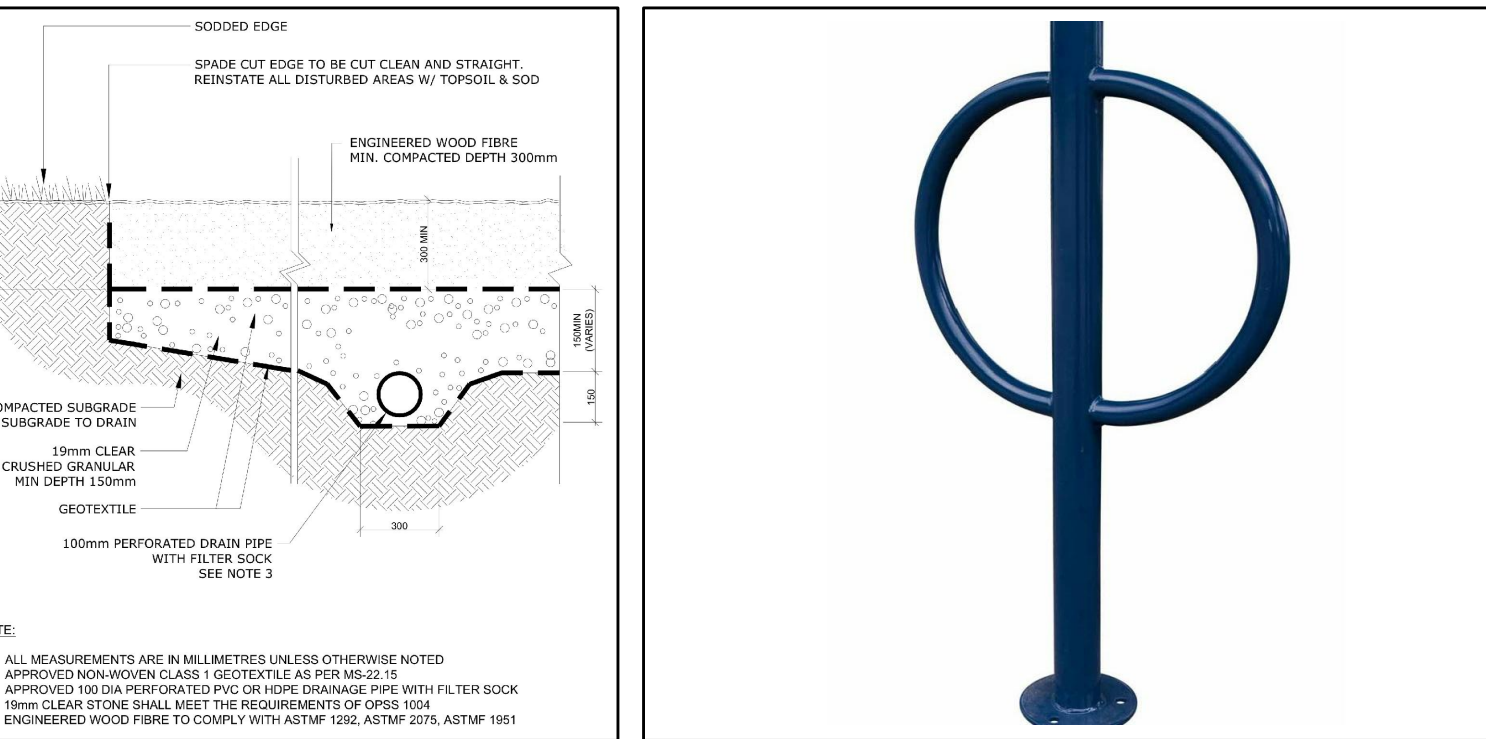
6 DECIDUOUS TREE PLANTING
SCALE: N.T.S.



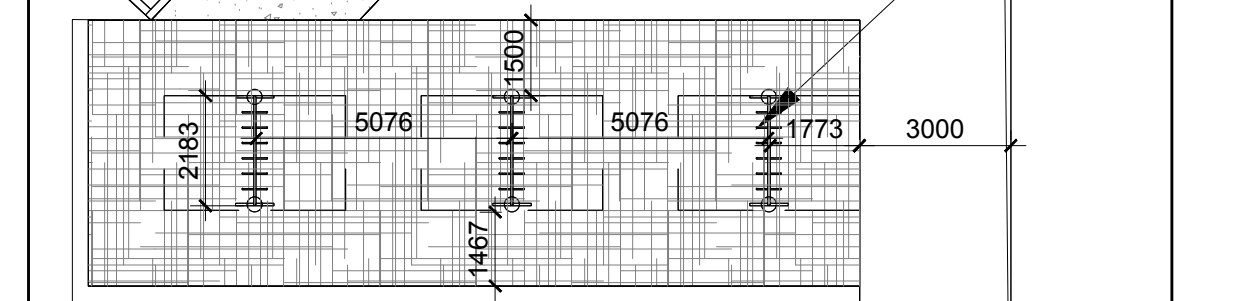
7 GALVANIZED CHAIN LINK FENCE
SCALE: N.T.S.



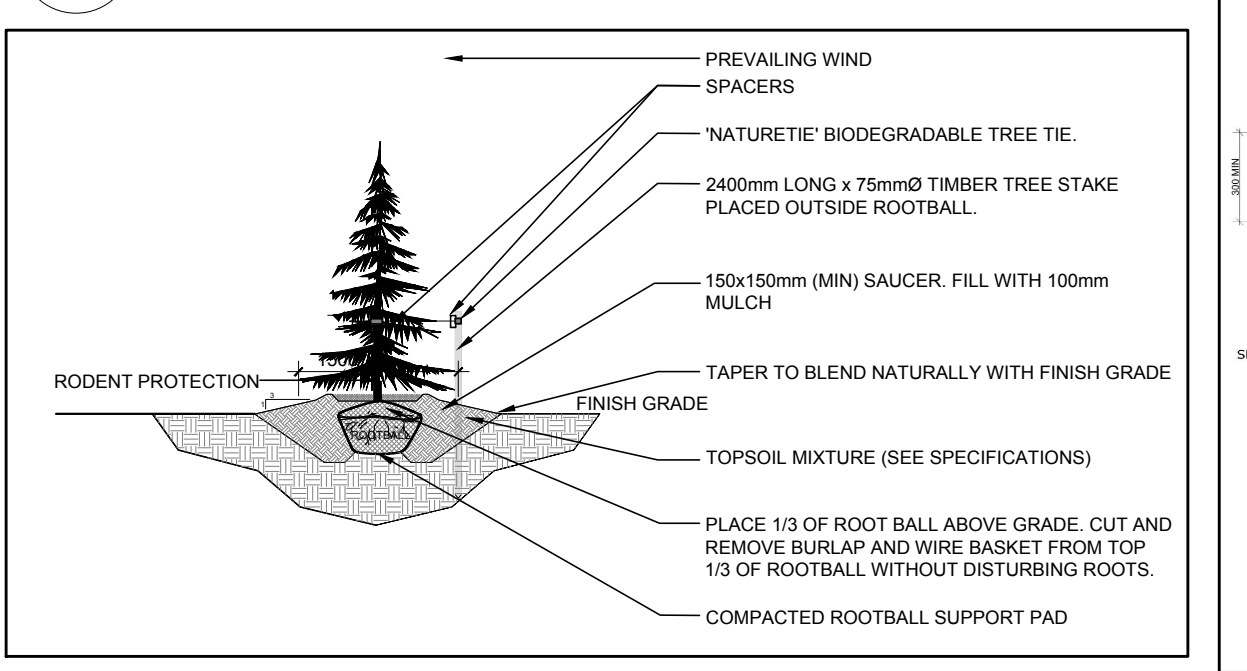
8 SIX (6) RING BIKE RACK FOR NINE (9) BIKES
SCALE: N.T.S.



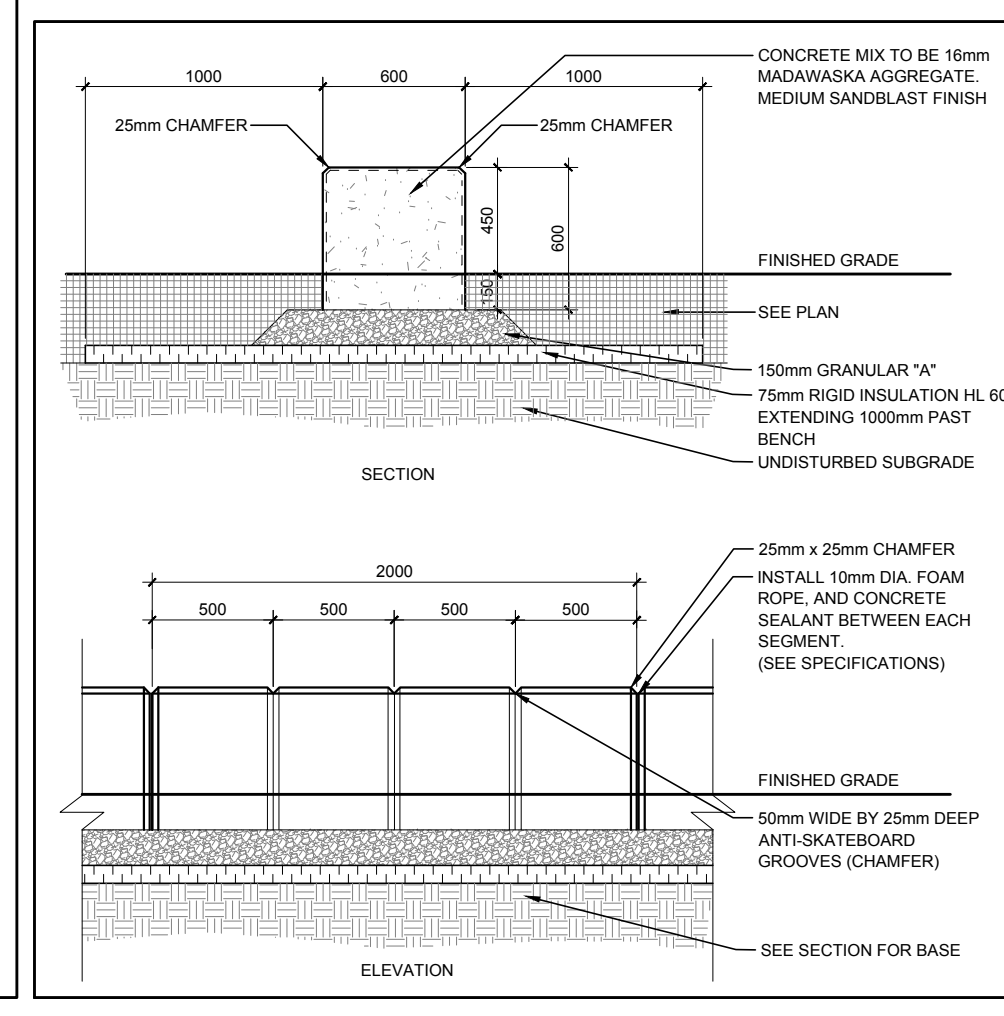
9 ENGINEERED WOOD FIBRE AREA WITH SPADE EDGE - N.T.S.



3 BIKE RACK AREAS
SCALE: N.T.S.



4 CONIFEROUS TREE PLANTING
SCALE: N.T.S.



2 SEATING WALL
SCALE: N.T.S.

1 TREE CONSERVATION REPORT & LANDSCAPE PLAN
SCALE: 1:500

KEY	QTY	BOTANICAL NAME	COMMON NAME	SIZE	CONDITION	REMARKS	Ht @ MATURITY
TREES							
CS	1	<i>Picea pungens</i>	Colorado Spruce	1800mm ht.	B&B		18m
FM	5	<i>Acer x freemanii</i>	Freeman's Maple	60mm cal.	B&B		21m
GB	5	<i>Ginkgo biloba</i>	Maidenhair Tree	60mm cal.	B&B	Male tree	24m
HB	4	<i>Callis occidentalis</i>	Hackberry	60mm cal.	B&B		12m
HL	2	<i>Gleditsia triacanthos 'Shademaster'</i>	Shademaster Honey Locust	60mm cal.	B&B		21m
JL	4	<i>Syringa reticulata</i>	Japanese Tree Lilac	60mm cal.	B&B	Single leader	6m
LL	1	<i>Tilia cordata</i>	Littleleaf Linden	60mm cal.	B&B		18m
PE	2	<i>Ulmus wilsoniana 'Prospector'</i>	Prospector Elm	60mm cal.	B&B		13m
SK	5	<i>Gleditsia triacanthos 'Impicola'</i>	Imperial Honey Locust	60mm cal.	B&B		11m
SM	5	<i>Acer saccharum</i>	Sugar Maple	60mm cal.	B&B		22.5m
SHRUBS							
AC	3	<i>Ribes alpinum</i>	Alpine Currant	800 mm ht.	Potted	1200 mm o.c.	
DW	7	<i>Cornus sericea</i>	Red Osier Dogwood	800 mm ht.	Potted	1200 mm o.c.	
DN	9	<i>Physocarpus opulifolius 'Little Devil'</i>	Little Devil Ninebark	800mm ht.	Potted	1000 mm o.c.	
PF	14	<i>Potentilla fruticosa 'Goldfinger'</i>	Goldfinger Potentilla	600mm ht.	Potted	800 mm o.c.	
PO	10	<i>Potentilla fruticosa 'Red Ace'</i>	Red Ace Potentilla	600mm ht.	Potted	800 mm o.c.	
SF	69	<i>Sorbaria sorbifolia 'Sem'</i>	Sem False Spirea	600mm ht.	Potted	1000 mm o.c.	
PERENNIALS							
AJ	13	<i>Sedum 'Autumn Joy'</i>	Autumn Joy Sedum	100mm pot	Potted	400 mm o.c.	
BE	17	<i>Rutbeckia fulgida 'Goldsturm'</i>	Yellow Coneflower	100mm pot	Potted	400 mm o.c.	
KF	71	<i>Calamagrostis 'Karl Foerster'</i>	Karl Foerster Grass	250mm pot	Potted	800 mm o.c.	
MG	15	<i>Miscanthus sinensis 'Giganteus'</i>	Giant Chinese Silvergrass	250mm pot	Potted	1200 mm o.c.	
MS	32	<i>Miscanthus sinensis 'Strictus'</i>	Porcupine Grass	250mm pot	Potted	800 mm o.c.	



OTTAWA CATHOLIC SCHOOL BOARD
CONSULTANTS
ARCHITECTS: **P R PYE & RICHARDS - TEMPRANO & YOUNG ARCHITECTS INC.**
824 Meach St. Suite 200
Ottawa, ON K1Z 6E8
413.724.7700
info@prty.ca

CIVIL ENGINEERS:
Jp2g Consultants Inc.
1150 Morrison Dr., Suite 410
Ottawa, ON K2H 8S9
Tel.: (613) 828-7800

- LEGEND**
- PROPOSED DECIDUOUS TREE
 - PROPOSED CONIFEROUS TREE
 - PROPOSED SHRUBS / PERENNIALS
 - PROPOSED TREES 'BY OTHERS'
 - PROPOSED ENGINEERED WOOD FIBRE
 - PROPOSED SOD
 - PROPOSED 1.8m Ht. GALVANIZED CHAIN LINK FENCE
 - PROPOSED 1.2m Ht. GALVANIZED CHAIN LINK FENCE
 - PROPOSED FENCE 'BY OTHERS'
 - PROPOSED ASPHALT ACCESS RAMP
 - EXISTING TREE TO REMAIN

No.	Issue	Date	DR	CK
7	REVISED PER CITY COMMENTS	03/06/2023	ML	JL
6	REVISED PER CITY COMMENTS	03/02/2023	ML	JL
5	ISSUED FOR TENDER	03/01/2023	ML	JL
4	REVISED PER CITY COMMENTS	01/11/2023	ML	JL
3	ISSUED FOR BUILDING PERMIT	12/14/2022	ML	JL
2	ISSUED FOR 85% REVIEW	10/21/2022	ML	JL
1	ISSUED FOR SITE PLAN CONTROL	10/07/2022	ML	JL

JAMES B. LENNOX & ASSOCIATES INC. LANDSCAPE ARCHITECTS
3332 CARLING AVE. OTTAWA, ONTARIO K2H 5A8
Tel. (613) 722-5168 Fax. (1866) 343-3942

PROJECT
OCSB RIVERSIDE SOUTH ELEMENTARY SCHOOL
BRIAN GOOD & SOLARIUM AVE, OTTAWA ON

DRAWING
TREE CONSERVATION REPORT & LANDSCAPE PLAN

SCALE
AS SHOWN
START DATE
AUGUST 2022
PROJECT NO.
22PRTY2270

PROJECT NORTH
DRAWING NO.
L.1

PLOT SIZE ARCH-D

D07-12-22-0145