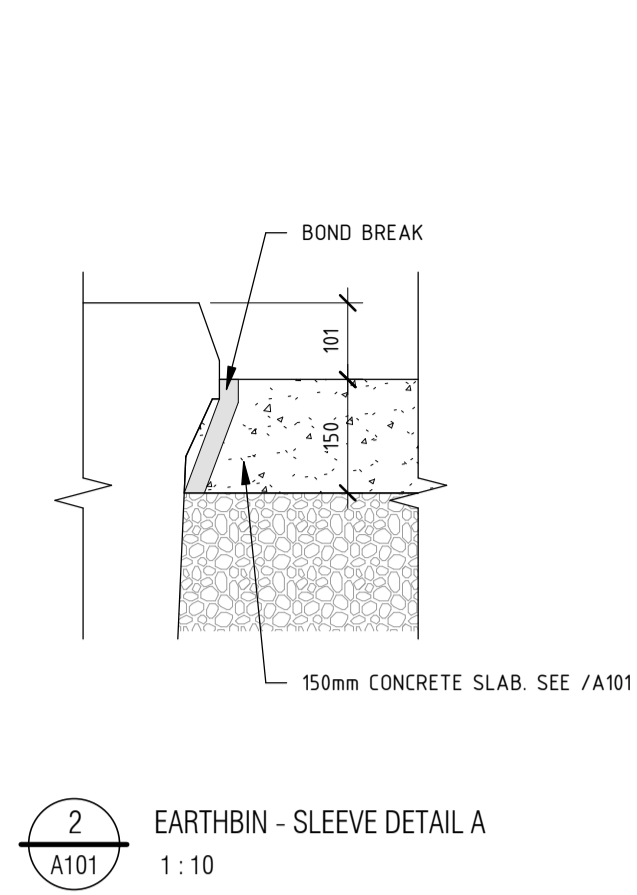
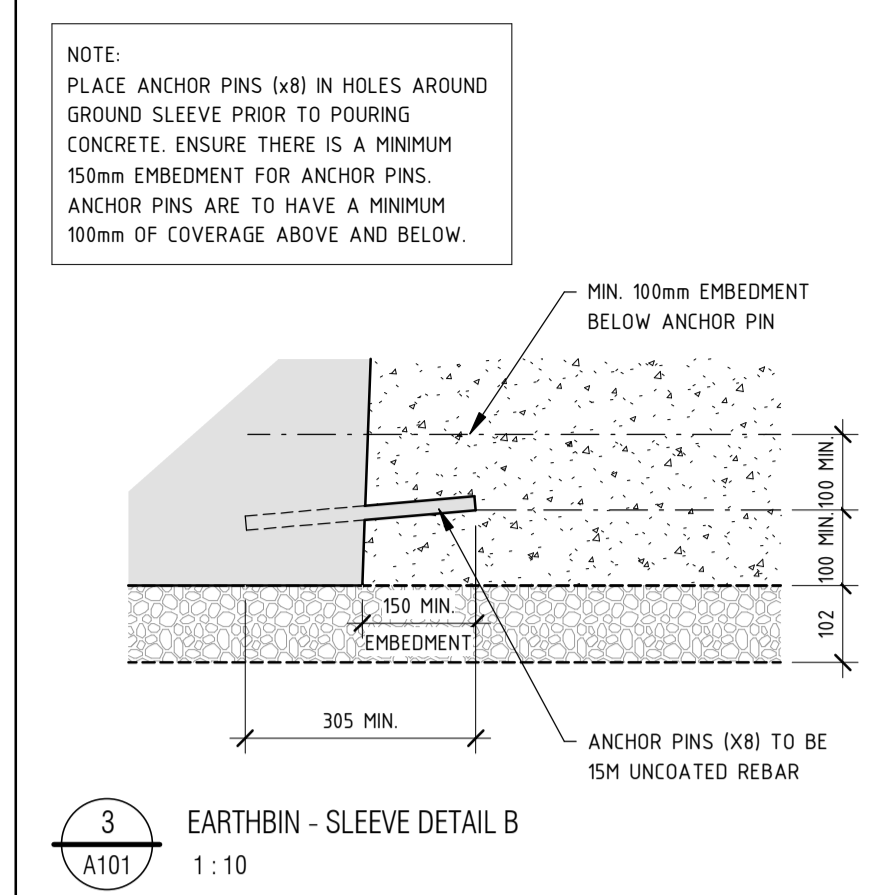


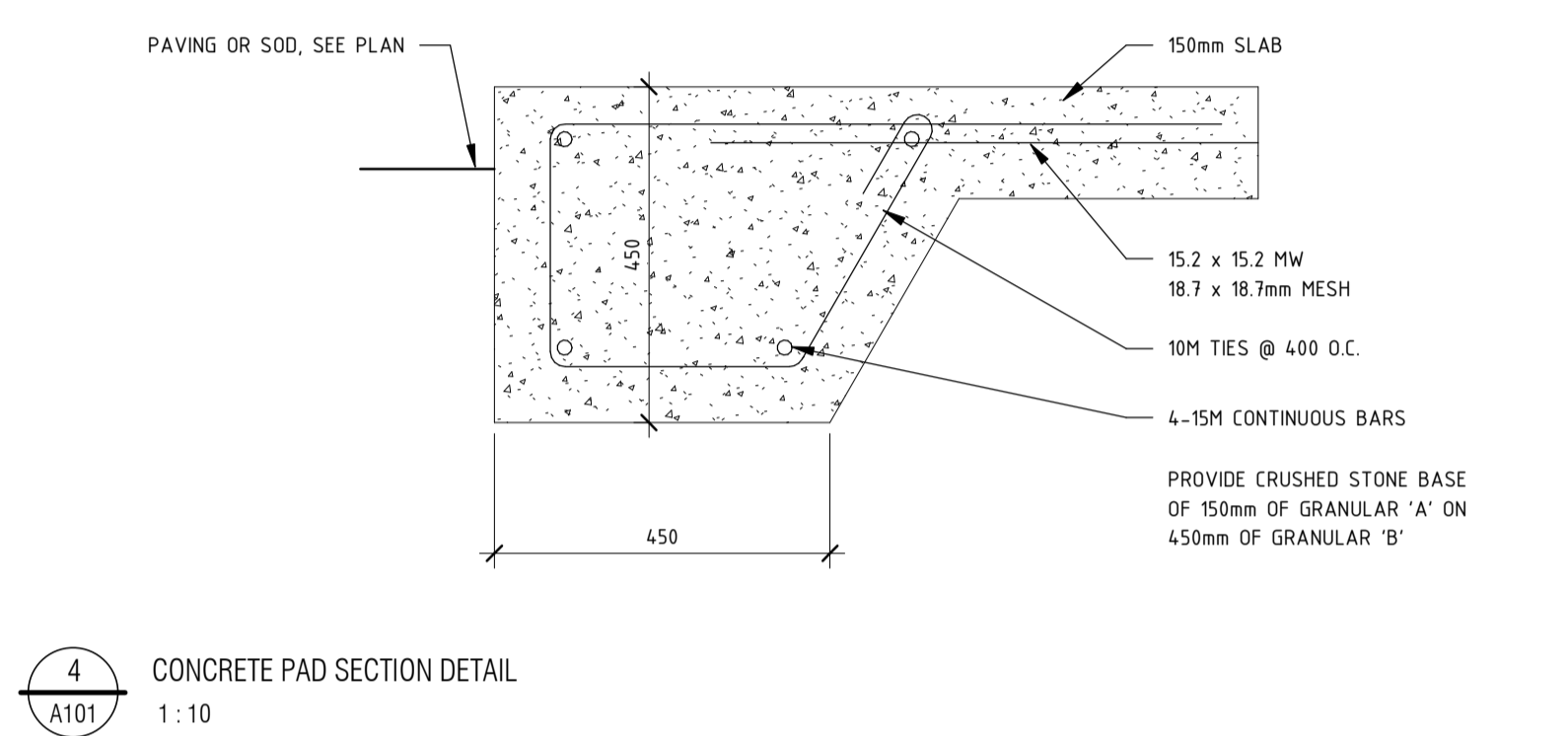
1 EARTHBIN - TYPICAL PLAN VIEW W/O BOLLARDS
A101 1:20



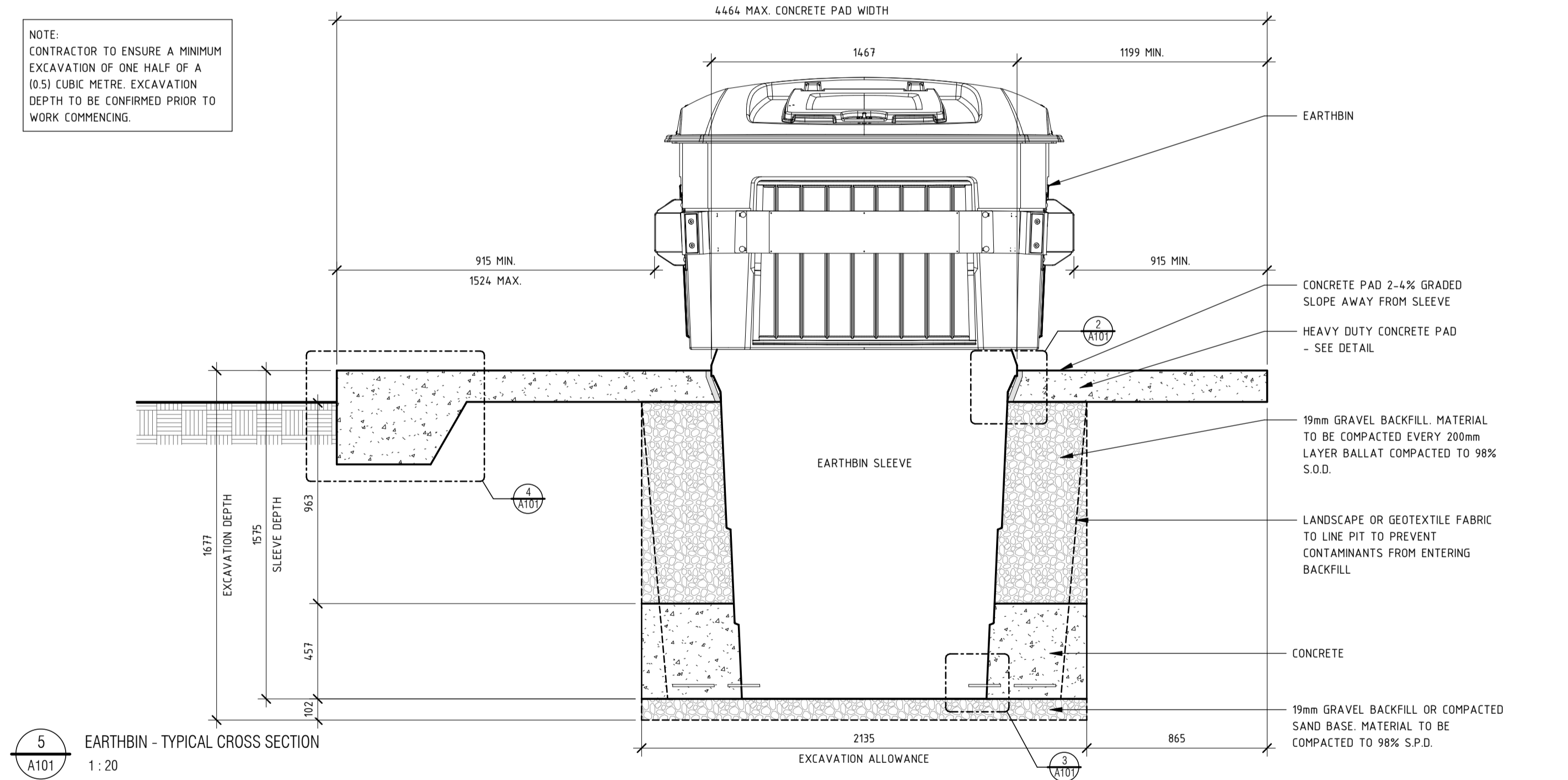
2 EARTHBIN - SLEEVE DETAIL A
A101 1:10



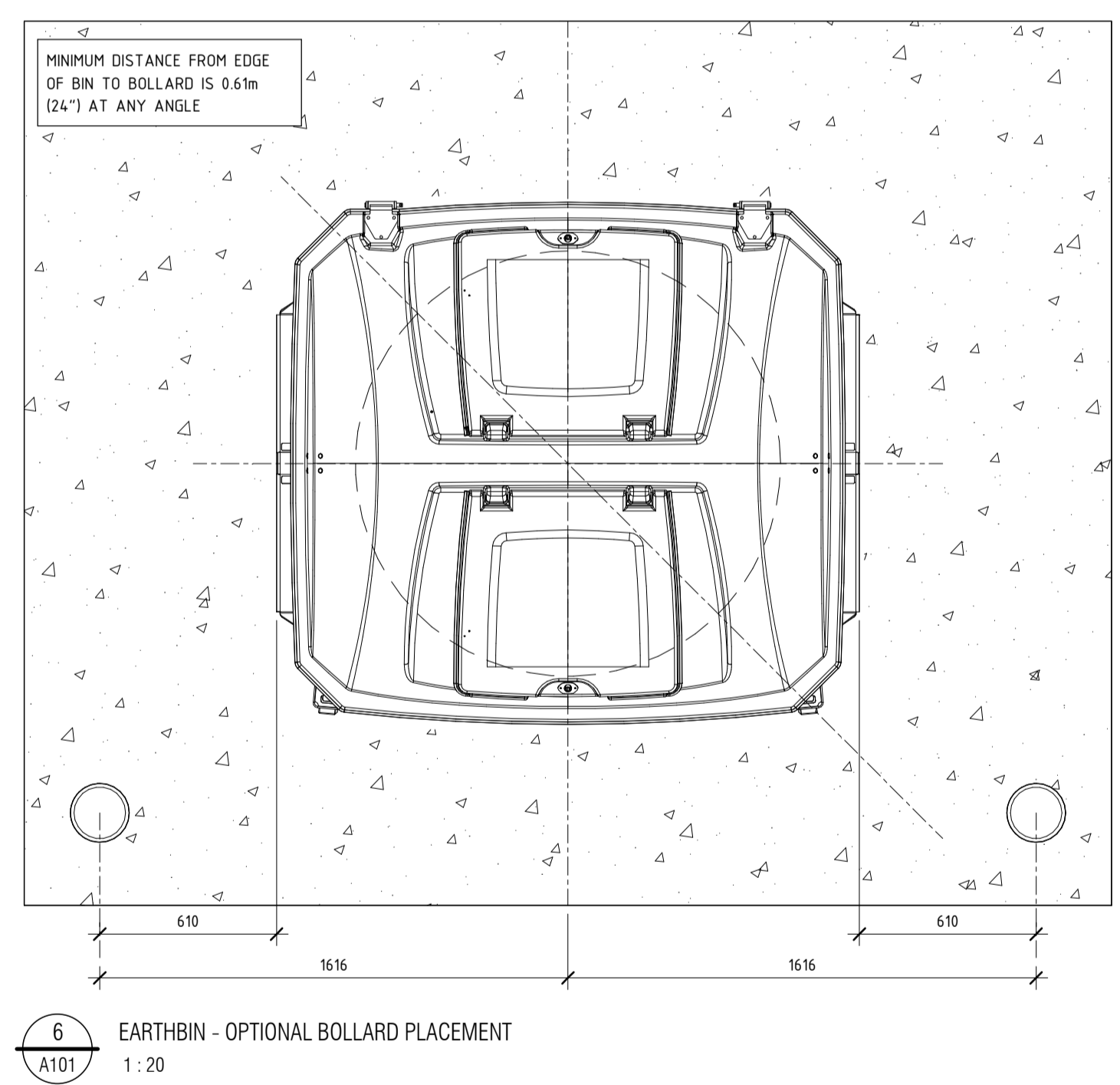
3 EARTHBIN - SLEEVE DETAIL B
A101 1:10



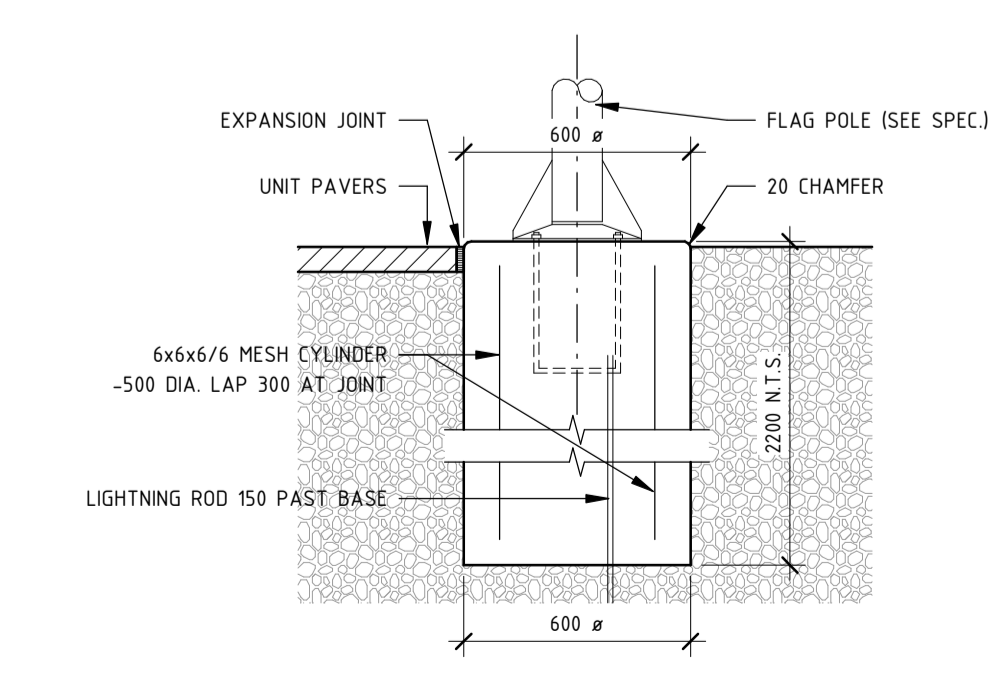
4 CONCRETE PAD SECTION DETAIL
A101 1:10



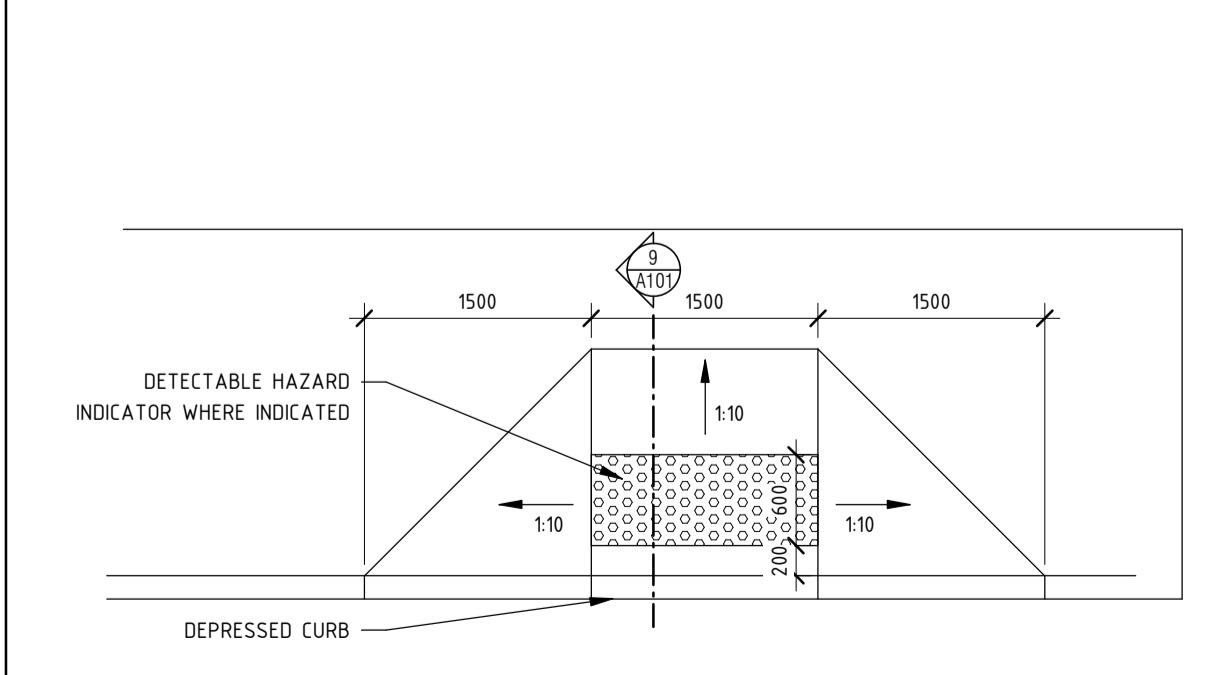
5 EARTHBIN - TYPICAL CROSS SECTION
A101 1:20



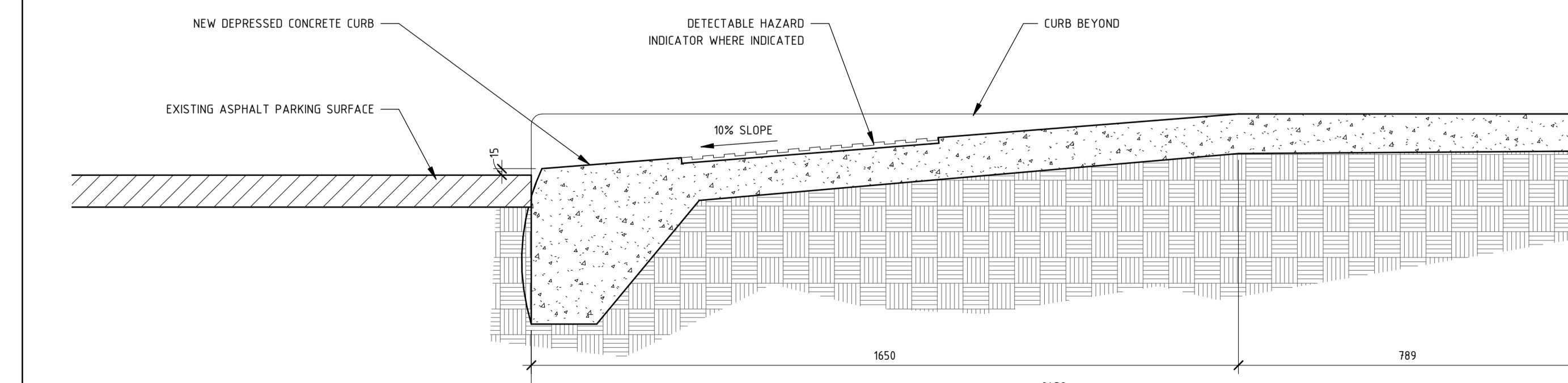
6 EARTHBIN - OPTIONAL BOLLARD PLACEMENT
A101 1:20



7 FLAGPOLE BASE SECTION
A101 1:20



8 DEPRESSED CURB PLAN DETAIL
A101 1:50



9 DEPRESSED CURB SECTION DETAIL
A101 1:10

REV	REVISION DESCRIPTION	DATE
2	ISSUED FOR SITE PLAN CONTROL	OCT/07/2022

THIS DRAWING IS THE EXCLUSIVE PROPERTY OF PYTE & RICHARDS - TEMPRANO & YOUNG ARCHITECTS INC. COPYRIGHT RESERVED.
CONTRACTOR TO VERIFY ALL DIMENSIONS AND NOTIFY THE ARCHITECT OF ANY DIMENSIONAL ERRORS AND/OR POSSIBLE TRADE INTERFERENCE/CONFLICT FOR CLARIFICATION PRIOR TO COMMENCEMENT OF THE WORK. DO NOT SCALE DRAWINGS.

SEAL

PROJECT NORTH

P R PYE & RICHARDS -
T Y TEMPRANO & YOUNG
ARCHITECTS INC.

824 Meath St. Suite 200 613.724.7700
Ottawa, ON K1Z 6E8 info@prty.ca

PROJECT
OCSB RIVERSIDE SOUTH ELEMENTARY
SCHOOL

836 SOLARIUM AVENUE OTTAWA, ONTARIO
DRAWING

SITE DETAILS

PROJECT NO.	22022	DRAWING NO.	A101
SCALE	AS NOTED		
DRAWN	DL		
CHECKED			
PLOT DATE	OCT/07/2022	PLOTTED BY	

PLOT SCALE - 1:1

SHEET SIZE: A1