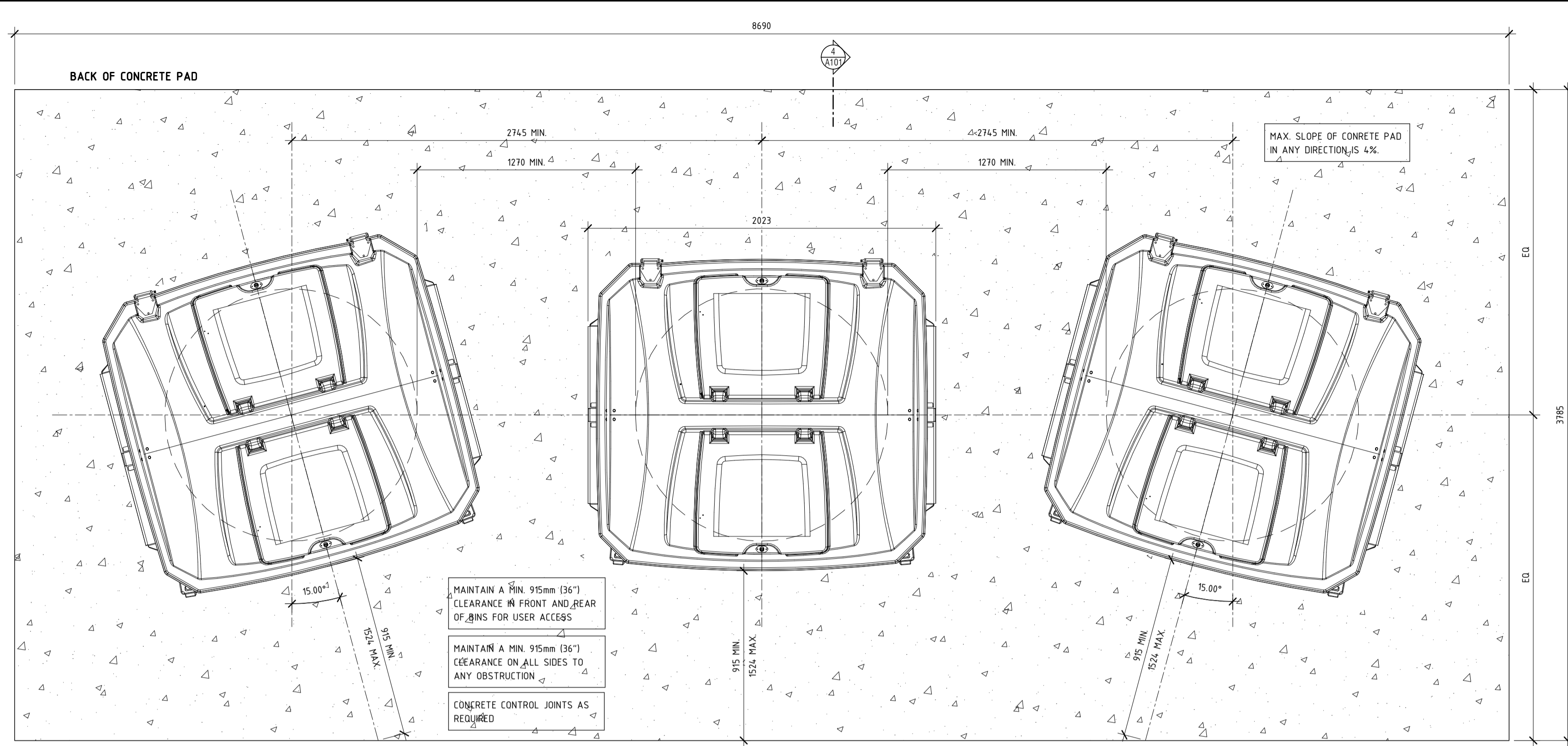


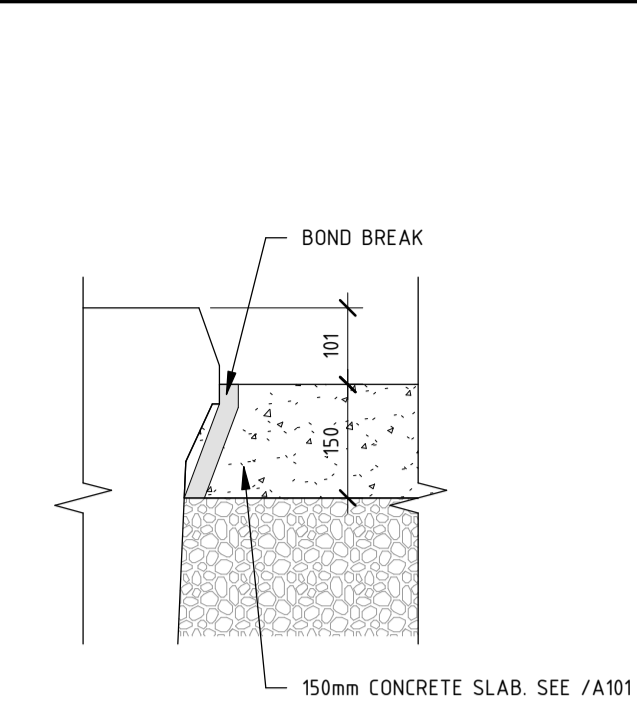


OTTAWA CATHOLIC SCHOOL BOARD

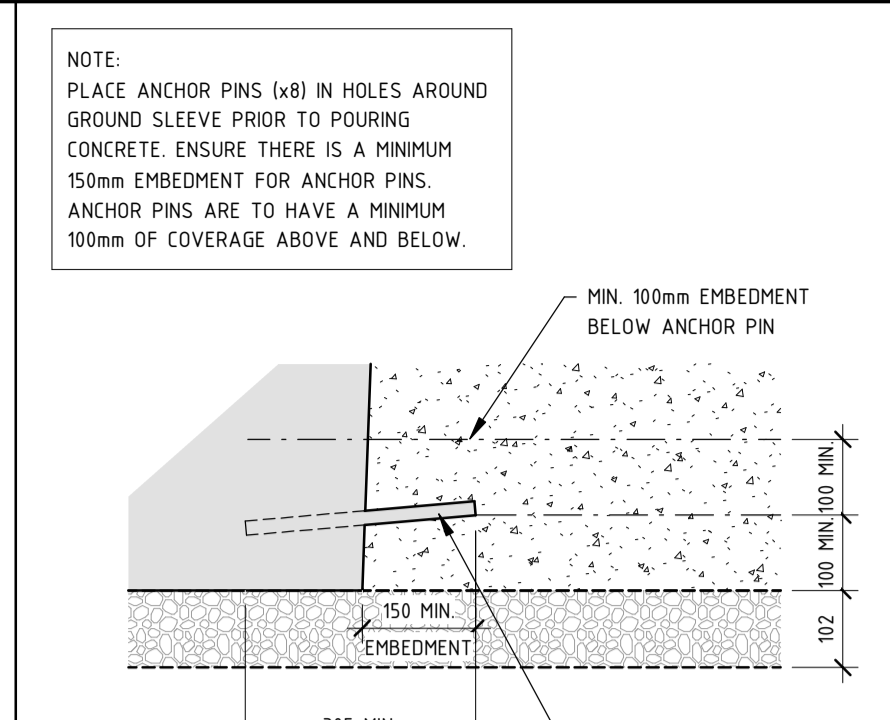
570 WEST HUNT CLUB, NEPEAN, ON. (613)-224-4455



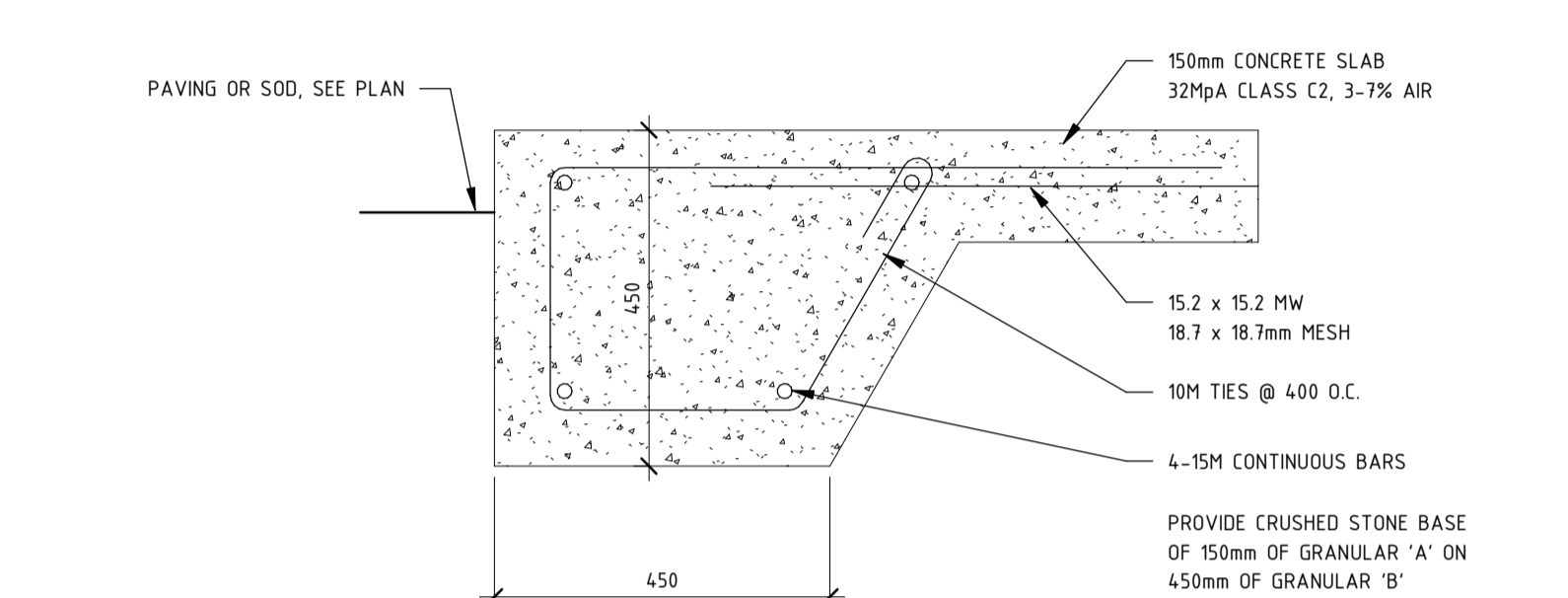
1 EARTHBIN - TYPICAL PLAN VIEW W/O BOLLARDS 1:20



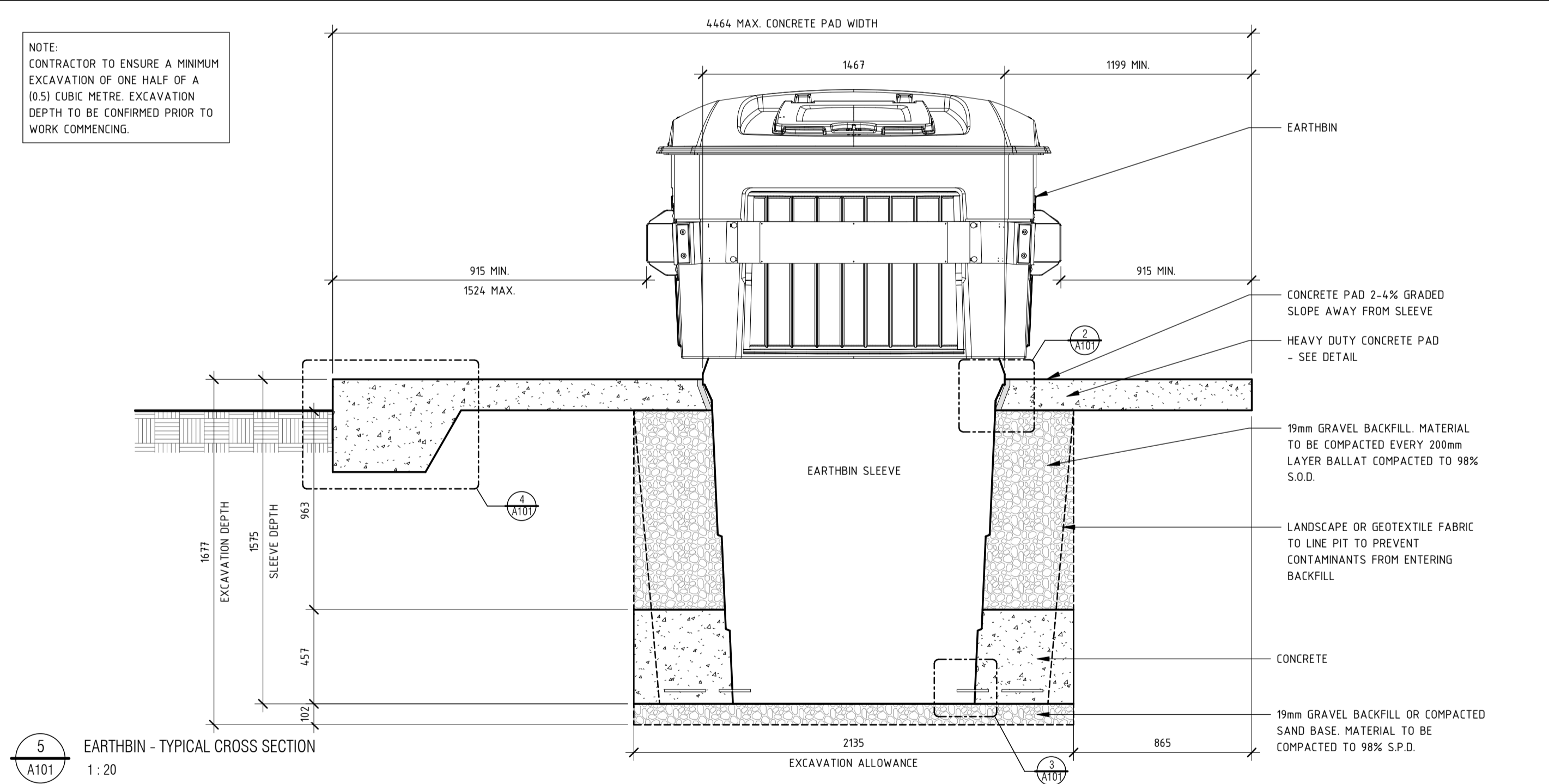
2 EARTHBIN - SLEEVE DETAIL A 1:10



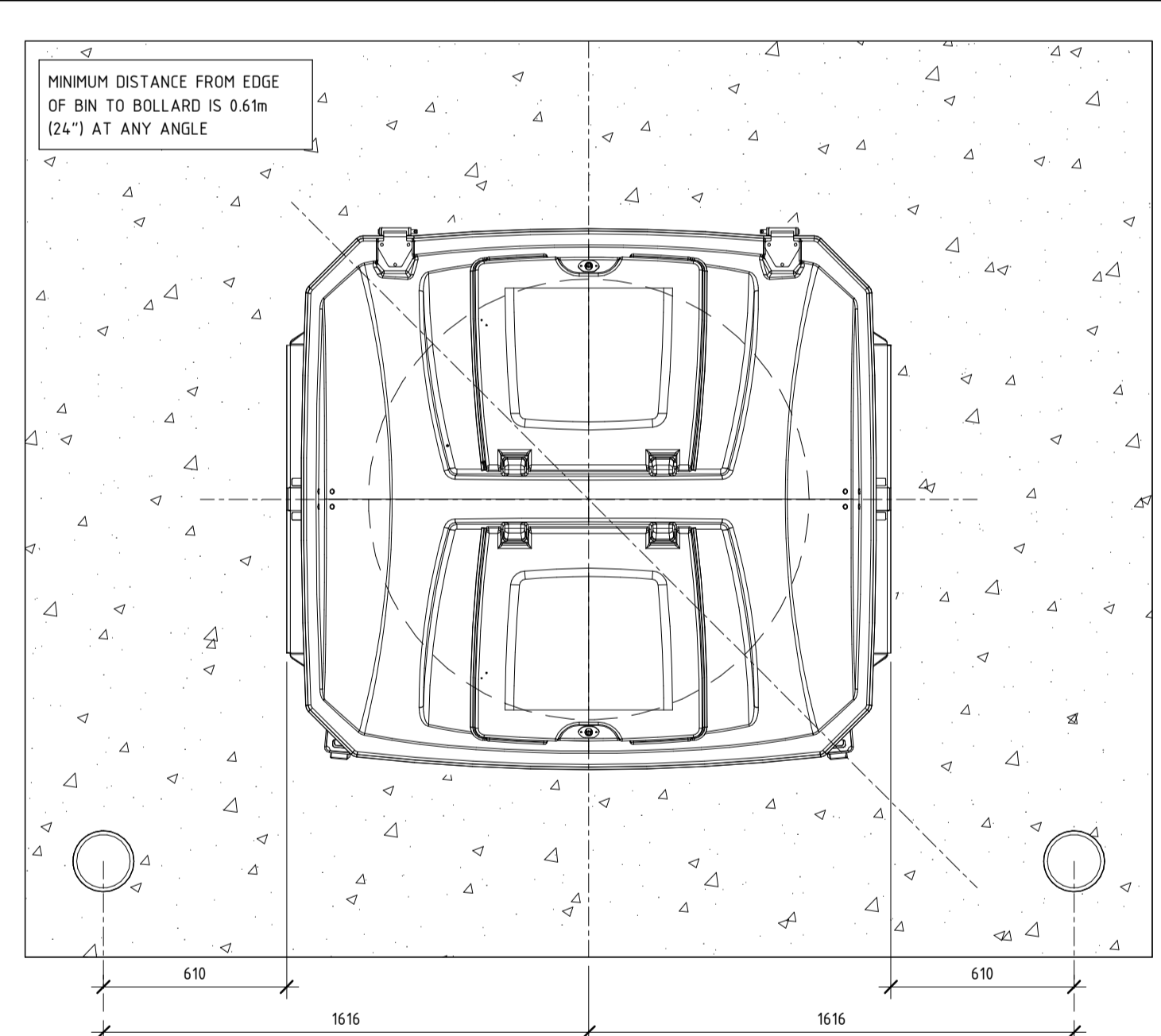
3 EARTHBIN - SLEEVE DETAIL B 1:10



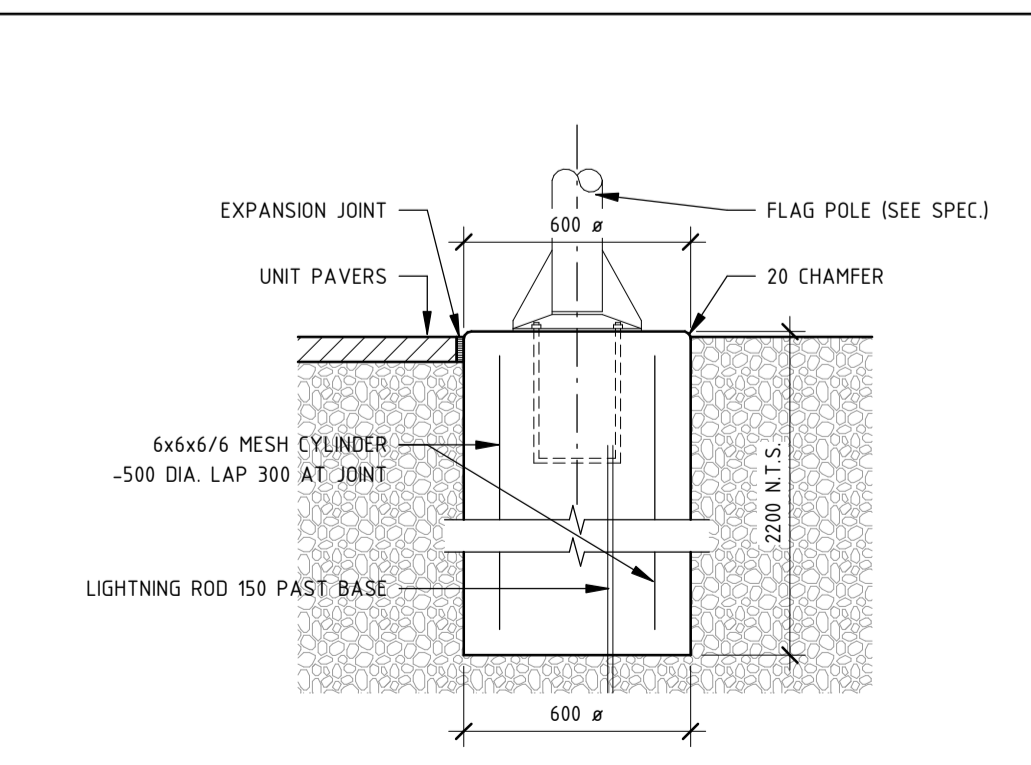
4 CONCRETE PAD SECTION DETAIL 1:10



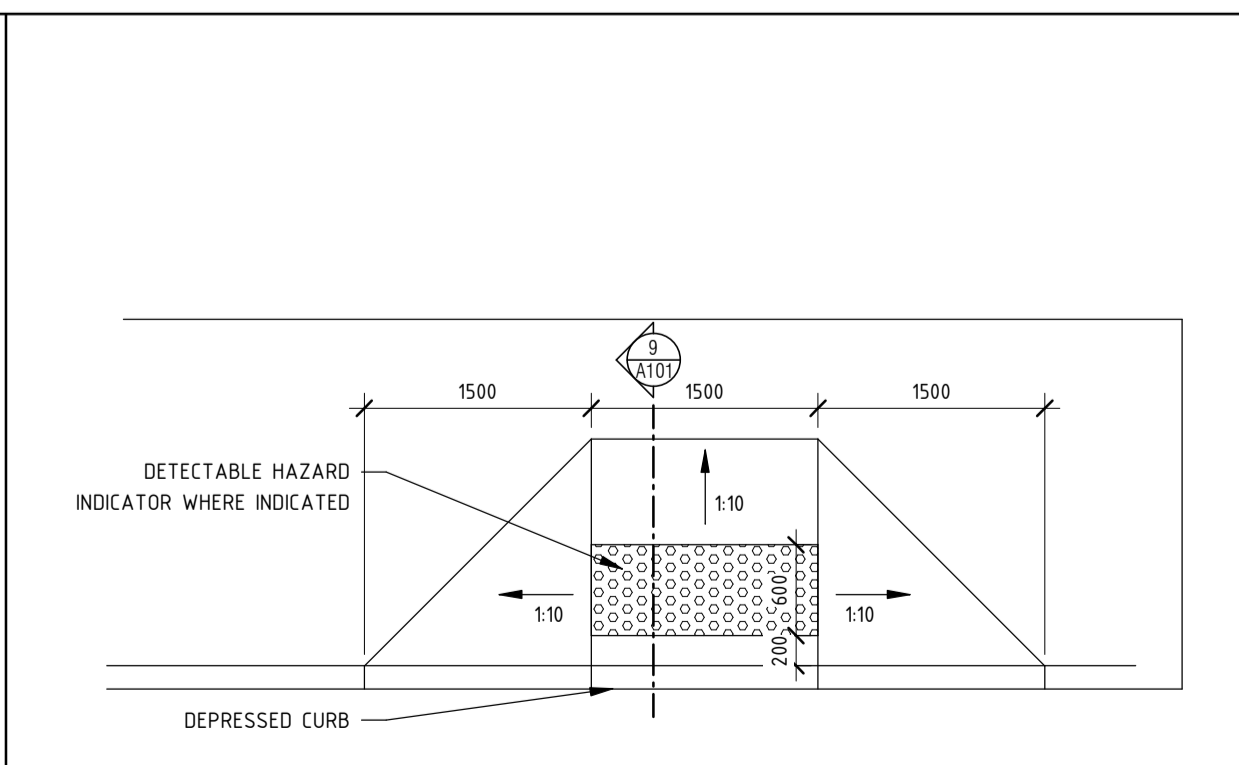
5 EARTHBIN - TYPICAL CROSS SECTION 1:20



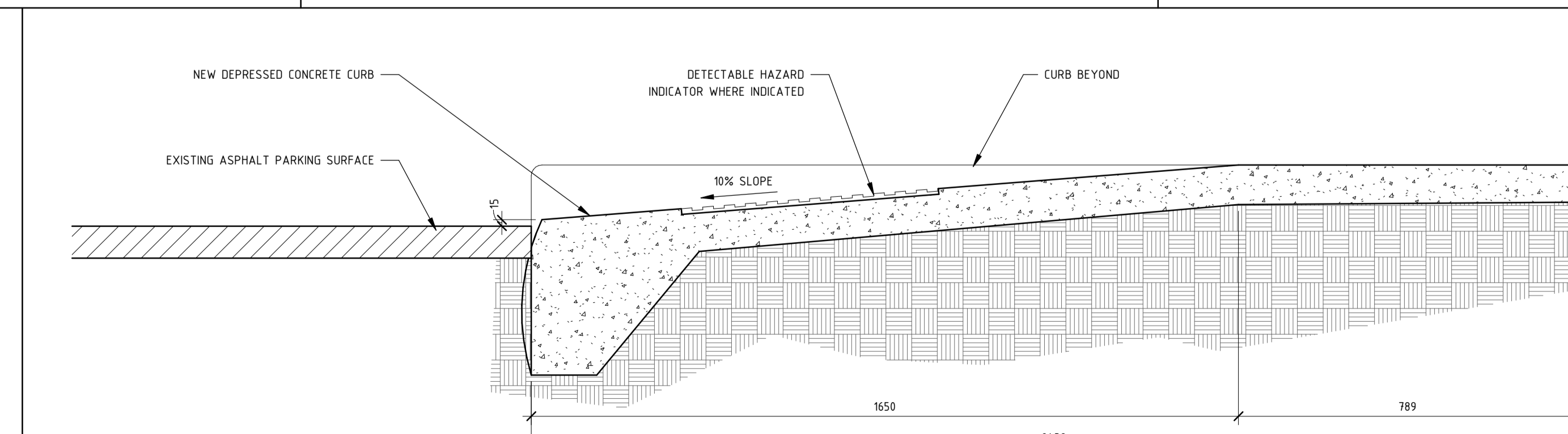
6 EARTHBIN - OPTIONAL BOLLARD PLACEMENT 1:20



7 FLAGPOLE BASE SECTION 1:20



8 DEPRESSED CURB PLAN DETAIL 1:50



9 DEPRESSED CURB SECTION DETAIL 1:10

4	ISSUED FOR SITE PLAN CONTROL REV 1	JAN/11/2022
3	ISSUED FOR PERMIT	DEC/14/2022
1	ISSUED FOR SITE PLAN CONTROL	OCT/07/2022
REV	REVISION DESCRIPTION	DATE

THIS DRAWING IS THE EXCLUSIVE PROPERTY OF PRY & RICHARDS - TEMPRANO & YOUNG ARCHITECTS INC. CONTRACTOR TO VERIFY ALL DIMENSIONS AND NOTIFY THE ARCHITECT OF ANY DIMENSIONAL ERRORS AND/OR POSSIBLE TRADE INTERFERENCE/CONFLICT FOR CLARIFICATION PRIOR TO COMMENCEMENT OF THE WORK. DO NOT SCALE DRAWINGS.

SEAL PROJECT NORTH

Not for construction unless SEALED and SIGNED

PR TY PYE & RICHARDS - TEMPRANO & YOUNG ARCHITECTS INC.

824 Meath St. Suite 200 Ottawa, ON K1Z 6E8 613.724.7700 info@prty.ca

PROJECT OCSB RIVERSIDE SOUTH ELEMENTARY SCHOOL

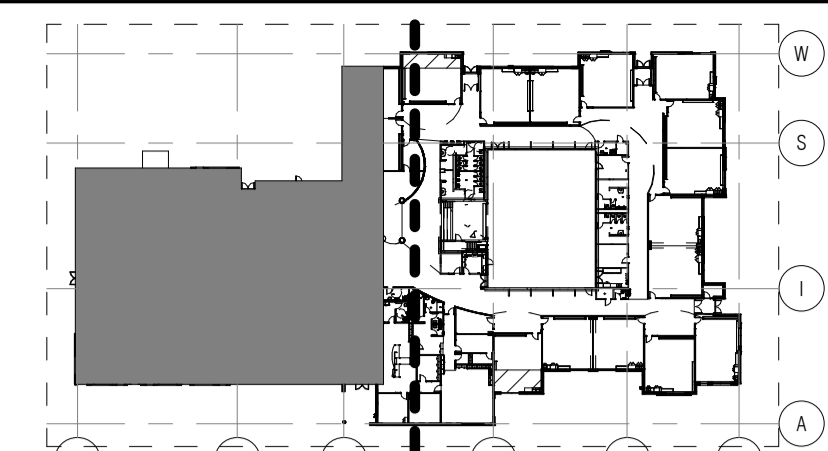
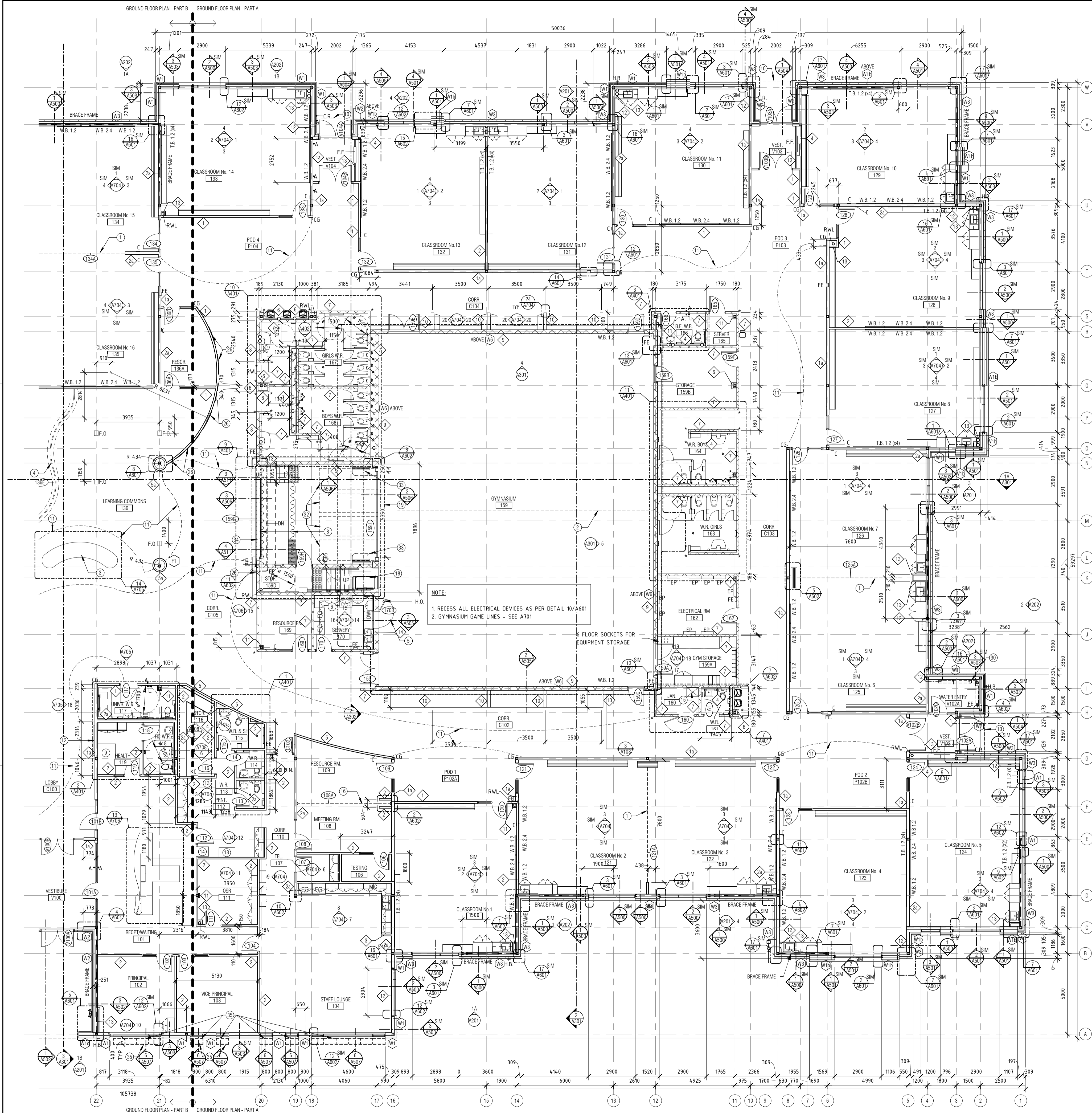
836 SOLARIUM AVENUE OTTAWA, ONTARIO

DRAWING SITE DETAILS

PROJECT NO.	22022	DRAWING NO.	A101
SCALE	AS NOTED	CHECKED	DL
DRAWN	DL	PLOTTED	
PLOT DATE	JAN/11/2023		

PLOT SCALE - 1:1

SHEET SIZE: A1



KEY PLAN

FLOOR PLAN NOTES

- 1 OPERABLE WALL c/w WHITE BOARD AND DOOR. SEE DOOR SCHEDULE
- 2 SUSPENDED GYM CURTAIN ABOVE
- 3 HALF WALL W/ BUILT-IN SHELVING AND BENCH
- 4 METAL SECURITY GRILLE. SEE DOOR SCHEDULE
- 5 H.M. DOOR FRAME w/ MAGLOCK HOLDER. SEE ELECTRICAL
- 6 PROVIDE WALL MOUNTED SIGN "NO DEEP FRYING IS PERMITTED ON THIS EQUIPMENT"
- 7 EXPOSED DUCT WORK ABOVE. SEE MECHANICAL
- 8 THEATRE CURTAIN
- 9 HEALTH ROOM BED - N.I.C.
- 10 CANOPY ABOVE
- 11 BULKHEAD ABOVE
- 12 55" MONITOR - N.I.C. PROVIDE POWER & DATA ABOVE CEILING HEIGHT. SEE ELECTRICAL
- 13 PRINTER - N.I.C.
- 14 P.A. SYSTEM. SEE ELECTRICAL
- 15 SLOP SINK. SEE MECHANICAL
- 16 ACCORDION DOOR
- 17 DOUBLE HEIGHT LOCKER. SEE SPEC.
- 18 PLATFORM LIFT
- 19 3600 WIDE PROJECTION SCREEN ABOVE
- 20 GALVANIZED STEEL COLUMN
- 21 WASHROOM GATE. SEE DETAIL 16/A710
- 22 STEEL STAIR
- 23 DRINKING FOUNTAIN IN KINDERGARTEN MOUNTED AT 600mm A.F.F.
- 24 LAVATORY IN KINDERGARTEN MOUNTED AT 600mm A.F.F.
- 25 ROOF ACCESS LADDER c/w CAGE
- 26 WALL MOUNTED ACOUSTIC PANEL - 1200mm X 2400mm & PLACED 600mm APART. TYP.
- 27 LINE UP & SPACE EQUALLY AT PHONE, CARD READER & AUTO DOOR OPERATOR @ 1000mm HT.
- 28 ENCLOSURE FOR TEMPORARY GENERATOR OUTLET. SEE ELECTRICAL
- 29 SPRAY FOAM & CAULK @ PENETRATION
- 30 GYM P.A. c/w PRE-MANUFACTURED CABINET - SEE ELECTRICAL
- 31 MECHANICAL EQUIPMENT. SEE MECH.
- 32 2000mm (W x 1200mm (D) x 100mm (H)) HOUSEKEEPING SLAB
- 33 UNDERSTAGE DOLLY - 4 @ 3600mm LONG
- 34 OPERABLE WALL
- 35 FIRE SHUTTER ABOVE
- 36 STEEL SHIN SHADE DETAIL

EXTERIOR WALL ASSEMBLIES

- W1 CURTAIN WALL**
 - 152mm ALUMINUM CURTAIN WALL
 - REFER TO WINDOW ELEVATION FOR PATTERN & GLASS TYPE
- W2 HIGH PRESSURE LAMINATE PANEL BOARD**
 - 16 GYPSUM BOARD
 - 6mm POLY VAPOUR BARRIER
 - 152 STRUCT. STEEL STUDS @ 400mm O.C.
 - 150 BATT INSULATION (R20)
 - 13 GYPSUM SHEATHING
 - AIR BARRIER
 - 100 MINERAL WOOL INSULATION (R15)
 - 100 THERMAL CLP @ 400 O.C. HORIZ. & 1200 O.C. VERT.
 - 25 VERT. GALVANIZED STEEL HATZ GIRTS @ 1200 O.C.
 - 8mm HIGH PRESSURE LAMINATE PANEL BOARD
- W3 HIGH PRESSURE LAMINATE PANEL BOARD - WIDE**
 - 16 GYPSUM BOARD
 - 92 STEEL STUDS 400mm O.C.
 - 100 AIR SPACE
 - 6mm POLY VAPOUR BARRIER
 - 152 STRUCT. STEEL STUDS @ 400 O.C.
 - 150 BATT INSULATION (R20)
 - 13 GYPSUM SHEATHING
 - AIR BARRIER
 - 100 MINERAL WOOL INSULATION (R15)
 - 100 THERMAL CLP @ 400 O.C. HORIZ. & 1200 O.C. VERT.
 - 25 VERT. GALVANIZED STEEL HATZ GIRTS @ 1200 O.C.
 - 8mm HIGH PRESSURE LAMINATE PANEL BOARD
- W4 HIGH PRESSURE LAMINATE PANEL BOARD - MAIN ENTRANCE**
 - 12mm ALUMINUM WOOD LOOK CLADDING
 - 50mm VERT. GALVANIZED STEEL HATZ GIRTS @ 1200 O.C.
 - 13 GYPSUM SHEATHING
 - 152 STRUCT. STEEL STUDS @ 400 O.C.
 - 13 GYPSUM SHEATHING
 - 150 VERT. GALVANIZED STEEL HATZ GIRTS @ 1200 O.C.
 - 8mm HIGH PRESSURE LAMINATE PANEL BOARD
- W5 ALUMINUM CLADDING**
 - 16 GYPSUM BOARD
 - 6mm POLY VAPOUR BARRIER
 - 152 STRUCT. STEEL STUDS @ 400 O.C.
 - 150 BATT INSULATION (R20)
 - 13 GYPSUM SHEATHING
 - AIR BARRIER
 - 100 MINERAL WOOL INSULATION (R15)
 - 100 THERMAL CLP @ 400 O.C. HORIZ. & 1200 O.C. VERT.
 - 50 VERT. GALVANIZED STEEL Z GIRTS @ 1200 O.C.
 - 12mm ALUMINUM WOOD LOOK CLADDING
- W6 BRICK**
 - 16 GYPSUM BOARD
 - 6mm POLY VAPOUR BARRIER
 - 152 STRUCT. STEEL STUDS @ 400 O.C.
 - 150 BATT INSULATION (R20)
 - 13 GYPSUM SHEATHING
 - AIR BARRIER
 - 100 MINERAL WOOL INSULATION (R15)
 - 100 THERMAL CLP @ 400 O.C. HORIZ. & 1200 O.C. VERT.
 - 25 VERT. GALVANIZED STEEL Z GIRTS @ 1200 O.C.
 - 40mm STEEL CLADDING
- W7 ARCH. BLOCK**
 - 16 GYPSUM BOARD
 - 6mm POLY VAPOUR BARRIER
 - 152 STRUCT. STEEL STUDS @ 400 O.C.
 - 150 BATT INSULATION (R20)
 - 13 GYPSUM SHEATHING
 - AIR BARRIER
 - 100 MINERAL WOOL INSULATION (R15)
 - 100 THERMAL CLP @ 400 O.C. HORIZ. & 1200 O.C. VERT.
 - 25 VERT. GALVANIZED STEEL Z GIRTS @ 1200 O.C.
 - 40mm STEEL CLADDING
- W8 ARCH. BLOCK - WIDE**
 - 16 GYPSUM BOARD
 - 6mm POLY VAPOUR BARRIER
 - 152 STRUCT. STEEL STUDS @ 400 O.C.
 - 150 BATT INSULATION (R20)
 - 13 GYPSUM SHEATHING
 - AIR BARRIER
 - 100 MINERAL WOOL INSULATION (R15)
 - 100 THERMAL CLP @ 400 O.C. HORIZ. & 1200 O.C. VERT.
 - 25 VERT. GALVANIZED STEEL Z GIRTS @ 1200 O.C.
 - 40mm STEEL CLADDING
- W9 ARCH. BLOCK - WIDE MAIN ENTRANCE**
 - 90 ARCHITECTURAL BLOCK
 - 13 GYPSUM SHEATHING
 - 152 STRUCT. STEEL STUDS @ 400 O.C.
 - 13 GYPSUM SHEATHING
 - 32 AIR SPACE
 - 90 ARCHITECTURAL BLOCK
- W10 STEEL CLADDING (ROOF ACCESS)**
 - 16 GYPSUM BOARD
 - 6mm POLY VAPOUR BARRIER
 - 152 STRUCT. STEEL STUDS @ 400 O.C.
 - 150 BATT INSULATION (R20)
 - 13 GYPSUM SHEATHING
 - AIR BARRIER
 - 100 MINERAL WOOL INSULATION (R15)
 - 100 THERMAL CLP @ 400 O.C. HORIZ. & 1200 O.C. VERT.
 - 25 VERT. GALVANIZED STEEL Z GIRTS @ 1200 O.C.
 - 40mm STEEL CLADDING
- W11 STEEL CLADDING 240 CONCRETE BLOCK (ROOF ACCESS)**
 - 240 CONCRETE BLOCK
 - FEEL AND STICK A / V BARRIER
 - 127 MINERAL WOOL INSULATION (R15)
 - 127 THERMAL CLP @ 400 O.C. HORIZ. & 1200 O.C. VERT.
 - 25 VERT. GALVANIZED STEEL Z GIRTS @ 1200 O.C.
 - 40mm STEEL CLADDING
- W12 STEEL CLADDING 190 CONCRETE BLOCK (ROOF ACCESS)**
 - 190 CONCRETE BLOCK
 - FEEL AND STICK A / V BARRIER
 - 127 MINERAL WOOL INSULATION (R15)
 - 127 THERMAL CLP @ 400 O.C. HORIZ. & 1200 O.C. VERT.
 - 25 VERT. GALVANIZED STEEL Z GIRTS @ 1200 O.C.
 - 40mm STEEL CLADDING
- W13 ROOF MECHANICAL SHAFT**
 - 152 STRUCT. STEEL STUDS @ 400 O.C.
 - 13 GYPSUM SHEATHING
 - FEEL AND STICK A / V BARRIER
 - 150mm MINERAL WOOL INSULATION (R17.2)
 - 150 THERMAL CLP @ 400 O.C. HORIZ. & 1200 O.C. VERT.
 - 25 VERT. GALVANIZED STEEL Z GIRTS @ 1200 O.C.
 - 40mm STEEL CLADDING

OTTAWA CATHOLIC SCHOOL BOARD
570 WEST HUNT CLUB, NEPEAN, ON. (613)-224-4455

FLOOR PLAN LEGEND

- | | |
|------------|---------------------------------------------------------------------------------------------------------------------------------------------------------------------------------------------|
| ROOM NAME | ROOM NUMBER |
| XXX | DOOR NUMBER - SEE DOOR SCHEDULE |
| ◆ | WALL TYPES - SEE WALL SCHEDULE |
| ◇ | PARTITION TYPES - SEE WALL SCHEDULE |
| ① | DRAWING NOTE |
| ○ | CORNER GUARD |
| ● | BULLNOSE - CONCRETE BLOCK |
| ○ | FLOOR DRAIN |
| ○ | FLOOR OUTLET - SEE ELECTRICAL |
| C.R. | CARD READER |
| A.P.H. | A.I. PHONE |
| F.F. | FORCE FLOW HEATER - SEE ELECT. |
| E.P. | ELECTRICAL PANEL - SEE ELECT. |
| F.F.E. | FIRE EXTINGUISHER - RECESSED/SURFACE MOUNT - SEE MECH. |
| H.B. | HOSE BIB CONNECTION - SEE MECH. |
| ● | PUSH TO LOCK BUTTON, 1000mm A.F.F. |
| ● | AUTODOOR OPERATOR - MOUNTED 600mm MIN. FROM LATCH SIDE OF DOOR, 1000mm A.F.F. |
| E. | EMERGENCY BUTTON C/W BILINGUAL SIGN: "IN THE EVENT OF AN EMERGENCY PUSH EMERGENCY BUTTON AND AUDIBLE AND VISUAL SIGNAL WILL ACTIVATE FOR ASSISTANCE" (LETTERS TO BE 25mm HT. W/ 5mm STROKE) |
| W.B. X X | 1.2m HT. X LENGTH WHITEBOARD |
| T.B. X X | 1.2m HT. X LENGTH TACKBOARD |
| T.B. 2.4/M | 2.4m WIDE X 2m HT. TACKBOARD/MIRROR COMBO |
| P.J. | PANEL JOINT |
| - C | CLOCK, BY OWNER |
| ○ | RWL RAIN WATER LEADER |
| G.M. | GAS METER - SEE MECHANICAL |
| H.O. | DOOR HOLD OPEN DEVICE |
| F.D.C. | FIRE DEPARTMENT CONNECTION |
| □ | KEY CABINET, RECESSED INSTALLATION, SEE SPEC. |

NO.	REVISION DESCRIPTION	DATE
4	ISSUED FOR SITE PLAN CONTROL REV 1	JAN/11/2022
3	ISSUED FOR PERMIT	DEC/14/2021
2	ISSUED FOR 85% REVIEW	OCT/21/2021
1	ISSUED FOR SITE PLAN CONTROL	OCT/07/2021

THIS DRAWING IS THE EXCLUSIVE PROPERTY OF PTE & RICHARDS - TEMPRANO & YOUNG ARCHITECTS INC. COPYRIGHT RESERVED

CONTRACTOR TO VERIFY ALL DIMENSIONS AND NOTIFY THE ARCHITECT OF ANY DIMENSIONAL ERRORS AND/OR POSSIBLE TRADE INTERFERENCE/CONFLICT FOR CLARIFICATION PRIOR TO COMMENCEMENT OF THE WORK. DO NOT SCALE DRAWINGS.

SEAL

ONTARIO ASSOCIATION OF ARCHITECTS
ISABEL POWER
LICENCE 7859
2023-01-11

PROJECT NORTH

Not for construction unless SEALED and SIGNED

P R PYE & RICHARDS - TEMPRANO & YOUNG ARCHITECTS INC.

824 Meath St. Suite 200 613. 724. 7700
Ottawa, ON K1Z 6E8 info@prty.ca

PROJECT
OCSB RIVERSIDE SOUTH ELEMENTARY SCHOOL

836 SALARIUM AVENUE OTTAWA, ONTARIO

DRAWING
GROUND FLOOR PLAN-PART A

PROJECT NO.	22022	DRAWING NO.	A102
SCALE -	AS NOTED	CHECKED -	IR
DRAWN -	DL	PLOTTED BY -	
PLOT DATE -	JAN/11/2023		

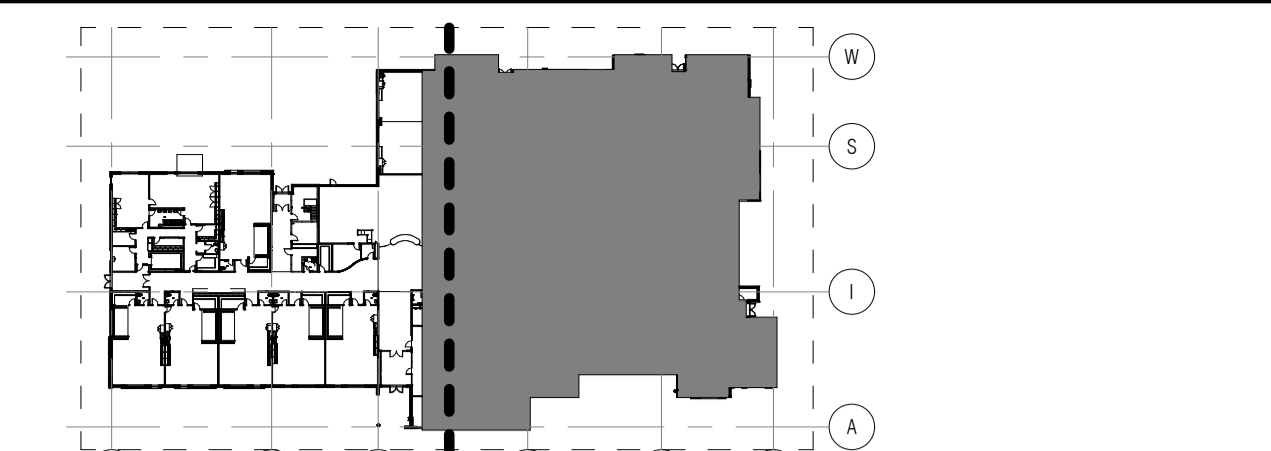
1
A102
1: 125



OTTAWA CATHOLIC SCHOOL BOARD
570 WEST HUNT CLUB, NEPEAN, ON. (613) 224-4455

FLOOR PLAN LEGEND

- ROOM NAME
P1028
- ROOM NUMBER
XX
- DOOR NUMBER - SEE DOOR SCHEDULE
- WALL TYPES - SEE WALL SCHEDULE
- PARTITION TYPES - SEE WALL SCHEDULE
- DRAWING NOTE
- CORNER GUARD
- B.N. BULLNOSE - CONCRETE BLOCK
- F.O. FLOOR DRAIN
- F.D. FLOOR OUTLET - SEE ELECTRICAL
- C.R. CARD READER
- A.P. A.I. PHONE
- F.F. FORCE FLOW HEATER - SEE ELECT.
- E.P. ELECTRICAL PANEL - SEE ELECT.
- F.E. FIRE EXTINGUISHER - RECESSED/SURFACE MOUNT - SEE MECH.
- H.B. HOSE BIB CONNECTION - SEE MECH.
- L. PUSH TO LOCK BUTTON, 1000mm A.F.F.
- A. AUTOODOOR OPERATOR - MOUNTED 600mm MIN. FROM LATCH SIDE OF DOOR, 1000mm A.F.F.
- E. EMERGENCY BUTTON C/W BILINGUAL SIGN
"IN THE EVENT OF AN EMERGENCY PUSH EMERGENCY BUTTON AND AUDIBLE AND VISUAL SIGNAL WILL ACTIVATE FOR ASSISTANCE"
(LETTERS TO BE 25mm HT W/ 5mm STROKE)
- W.B. X.X 12m HT. X LENGTH WHITEBOARD
- T.B. X.X 12m HT. X LENGTH TACKBOARD
- T.B. 2.4 M 2.4m WIDE X 2m HT. TACKBOARD/MIRROR COMBO
- P.J. PANEL JOINT
- C. CLOCK, BY OWNER
- R.W. RAIN WATER LEADER
- G.M. GAS METER - SEE MECHANICAL
- H.O. DOOR HOLD OPEN DEVICE
- F.D.C. FIRE FIGHT CONNECTION
- KC KEY CABINET, RECESSED INSTALLATION, SEE SPEC.



KEY PLAN

INTERIOR WALL ASSEMBLIES

- ST. STUD GYP. CORRIDOR WALL**
-16mm GYPSUM BOARD ABUSE RESISTANT ON CORRIDOR SIDE TO 1220 A.F.F. -16mm GYPSUM BOARD ABOVE
-92mm STEEL STUDS AT 400mm O.C. MAX.
-76mm SOUND ATTENUATION BATT INSULATION
-16mm GYPSUM BOARD
-WHERE FIRE RATED, USE ULC W45.3 & 16mm TYPE X GYPSUM BOARD FULL HT. TAPE & FILL JOINTS ABOVE CEILING WHERE FIRE RATED
-FIRE STOP ALL PERIMETERS AND PENETRATIONS WITH ULC LISTED ASSEMBLIES TO ILC-407
-EXTEND PARTITION TO UIS STRUCTURE
- FULL HT. ST. STUD GYP. CORRIDOR PLUMBING WALL**
SAME AS WALL TYPE 1 W/
-152mm STEEL STUDS AT 400mm O.C. MAX.
- FULL HT. ST. STUD GYP. WALL - CLASSROOM/OFFICE**
-16mm GYPSUM BOARD
-92mm STEEL STUDS AT 400mm O.C. MAX.
-76mm SOUND ATTENUATION BATT INSULATION
-16mm GYPSUM BOARD
-WHERE FIRE RATED, USE ULC W45.3 & 16mm TYPE X GYPSUM BOARD FULL HT. TAPE & FILL JOINTS ABOVE CEILING WHERE FIRE RATED
-FIRE STOP ALL PERIMETERS AND PENETRATIONS WITH ULC LISTED ASSEMBLIES TO ILC-407
-EXTEND PARTITION TO UIS STRUCTURE
- FULL HT. ST. STUD GYP. PLUMBING WALL - CLASSROOM/OFFICE**
SAME AS WALL TYPE 2 W/
-152mm STEEL STUDS AT 400mm O.C. MAX.
- CEILING HT. WALL**
-16mm GYPSUM BOARD
-92mm STEEL STUDS AT 400mm O.C. MAX.
-16mm GYPSUM BOARD
-EXTEND PARTITION STUDS TO UIS OF STRUCTURE ABOVE & GYPSUM TO 150mm ABOVE FINISHED CEILING
- TYPICAL FURRED WALL**
-16mm GYPSUM BOARD
-92mm STEEL STUDS AT 400mm O.C. MAX.
-76mm SOUND ATTENUATION BATT INSULATION
-EXTEND PARTITION FULL HEIGHT
- TYPICAL CURVED WALL - 2 SIDES**
(3) LAYERS 6mm FLEX GYPSUM BOARD
-92mm 20 GAUGE STEEL STUDS AT 230mm O.C. MAX.
-76mm SOUND ATTENUATION BATT INSULATION
-EXTEND 3 LAYERS TO 150mm ABOVE CEILING, 1 LAYER FULL HEIGHT
- TYPICAL CURVED WALL AT COLUMN**
SAME AS WALL TYPE 5 W/
-GYPSUM ONE SIDE
- 90mm CONCRETE BLOCK**
EXTEND PARTITION FULL HEIGHT
- 140mm CONCRETE BLOCK w/ ULC ASSEMBLIES**
-WHERE 1 HR. FIRE RATED, FIRE STOP FULL PERIMETERS & PENETRATIONS WITH ULC LISTED ASSEMBLIES
EXTEND PARTITION FULL HEIGHT
- 190mm CONCRETE BLOCK w/ ULC ASSEMBLIES**
-WHERE 1 HR. FIRE RATED, FIRE STOP FULL PERIMETERS & PENETRATIONS WITH ULC LISTED ASSEMBLIES
EXTEND PARTITION FULL HEIGHT
- 240mm CONCRETE BLOCK w/ ULC ASSEMBLIES**
-WHERE 1 HR. FIRE RATED, FIRE STOP FULL PERIMETERS & PENETRATIONS WITH ULC LISTED ASSEMBLIES
EXTEND PARTITION FULL HEIGHT

FIN WALL CORRIDOR

- 152mm STEEL STUDS AT 400mm O.C. MAX. c/w 64x64 HSS @ 1200 O.C.
- 16mm ABUSE RESISTANT GYPSUM BOARD
- EXTEND STUD TO 1800mm ABOVE FINISHED FLOOR c/w SOLID WOOD CAP - REFER TO MILLWORK DRAWING

FURRED WALL

- 16mm GYPSUM BOARD
- 41mm STEEL STUDS AT 400mm O.C. MAX.
- SOUND ATTENUATION BATT INSULATION AROUND RWL ENCLOSURE

FURRED WALL (ABUSE RESISTANT ON CORRIDOR SIDE TO 1220 A.F.F. WHERE APPLICABLE)

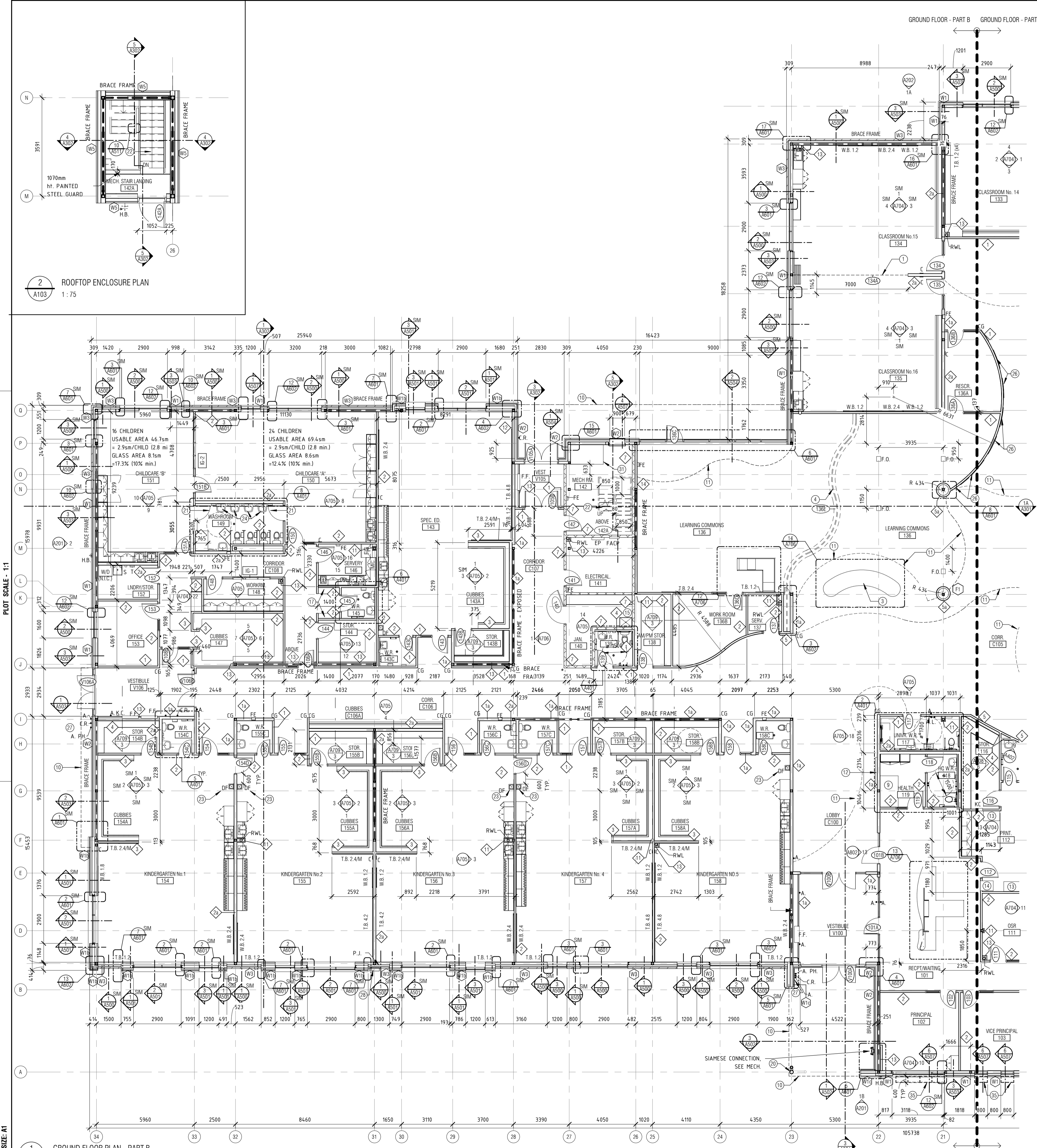
- 64mm STEEL STUDS AT 400mm O.C. MAX.
- EXTEND PARTITION FULL HEIGHT
- SOUND ATTENUATION BATT INSULATION AROUND RWL ENCLOSURE

SHAFT WALL

- 16mm TYPE X GYPSUM BOARD
- 64mm C-H STUDS 25 ga. @ 400mm O.C. MAX.
- 25mm LINER PANEL

FLOOR PLAN NOTES

- OPERABLE WALL c/w WHITE BOARD AND DOOR. SEE DOOR SCHEDULE
- SUSPENDED GYM CURTAIN ABOVE
- HALF WALL W/ BUILT-IN SHELVING AND BENCH
- METAL SECURITY GRILLE. SEE DOOR SCHEDULE
- H.M. DOOR FRAME w/ MAGLOCK HOLDER. SEE ELECTRICAL
- PROVIDE WALL MOUNTED SIGN "NO DEEP FRYING IS PERMITTED ON THIS EQUIPMENT"
- EXPOSED DUCT WORK ABOVE. SEE MECHANICAL
- THEATRE CURTAIN
- HEALTH ROOM BED - N.I.C.
- CANOPY ABOVE
- BULKHEAD ABOVE
- 55" MONITOR - N.I.C. PROVIDE POWER & DATA BELOW CEILING HEIGHT. SEE ELECTRICAL
- PRINTER - N.I.C.
- P.A. SYSTEM. SEE ELECTRICAL
- SLOP SIM. SEE MECHANICAL
- ACCORDION DOOR
- DOUBLE HEIGHT LOCKER. SEE SPEC.
- PLATFORM LIFT
- 3600 WIDE PROJECTION SCREEN ABOVE
- GALVANIZED STEEL COLUMN
- WASHROOM GATE. SEE DETAIL 16/A710
- STEEL STAIR
- DRINKING FOUNTAIN IN KINDERGARTEN MOUNTED AT 600mm A.F.F.
- LAVATORY IN KINDERGARTEN MOUNTED AT 600mm A.F.F.
- ROOF ACCESS LADDER c/w CAGE
- WALL MOUNTED ACOUSTIC PANEL - 1200mm X 2400mm & PLACED 600mm APART. TYP.
- LINE UP & SPACE EQUALLY A.P. PHONE, CARD READER & AUTO DOOR OPERATOR @ 1000mm
- ENCLOSURE FOR TEMPORARY GENERATOR OUTLET - SEE ELECTRICAL SPRAY FOAM & CAULK @ PENETRATION
- GYM P.A. c/w PRE-MANUFACTURED CABINET - SEE ELECTRICAL
- MECHANICAL EQUIPMENT. SEE MECH.
- 2000mm (W.) x 1200mm (D.) x 100mm (H.) HOUSEKEEPING SLAB
- UNDERSTAGE DOLLY - 4 @ 3660mm LONG
- OPERABLE WALL
- FIRE SHUTTER ABOVE
- STEEL SUN SHADE DETAIL



2 ROOFTOP ENCLOSURE PLAN
A103
1:75

PLOT SCALE - 1:1

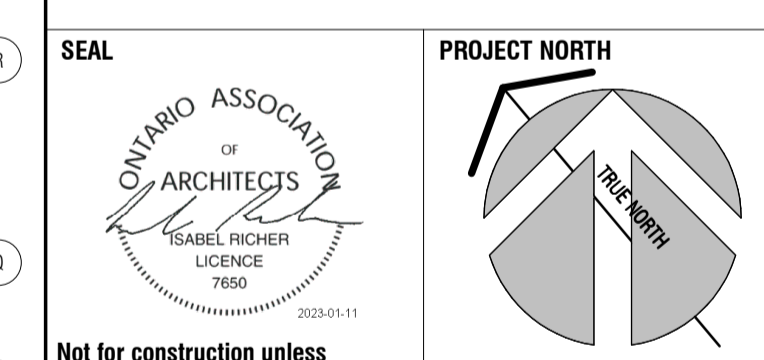
1 GROUND FLOOR PLAN - PART B
A103
1:125

3 HIGH GYM FLOOR PLAN
A103
1:125

REV	REVISION DESCRIPTION	DATE
4	ISSUED FOR SITE PLAN CONTROL REV 1	JAN/11/2022
3	ISSUED FOR PERMIT	DEC/14/2021
2	ISSUED FOR 85% REVIEW	OCT/21/2021
1	ISSUED FOR SITE PLAN CONTROL	OCT/01/2021

THIS DRAWING IS THE EXCLUSIVE PROPERTY OF P & R ARCHITECTS INC. - TEMPRANO & YOUNG ARCHITECTS INC. COPYRIGHT RESERVED

CONTRACTOR TO VERIFY ALL DIMENSIONS AND NOTIFY THE ARCHITECT OF ANY DIMENSIONAL ERRORS AND/OR POSSIBLE TRADE INTERFERENCE/CONFLICT FOR CLARIFICATION PRIOR TO COMMENCEMENT OF THE WORK. DO NOT SCALE DRAWINGS.



Not for construction unless SEALED AND SIGNED

P R PYE & RICHARDS -
T Y TEMPRANO & YOUNG
ARCHITECTS INC.

824 Meath St. Suite 200 613. 724. 7700
Ottawa, ON K1Z 6E8 info@prty.ca

PROJECT
OCSB RIVERSIDE SOUTH ELEMENTARY SCHOOL

836 SOLARIUM AVENUE OTTAWA, ONTARIO

DRAWING
GROUND FLOOR PLAN-PART B

PROJECT NO.	22022	DRAWING NO.	A103
SCALE	AS NOTED	CHECKED	IR
PLOT DATE	JAN/11/2023	PLOTTED BY	



OTTAWA CATHOLIC SCHOOL BOARD

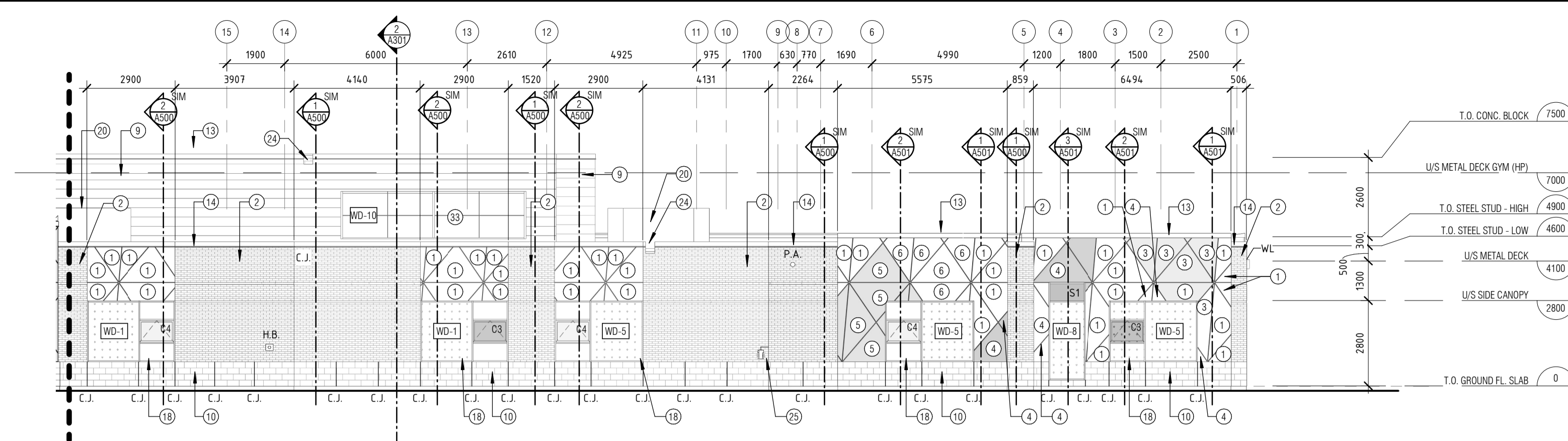
570 WEST HUNT CLUB, NEPEAN, ON. (613)-224-4455

ELEVATION NOTES

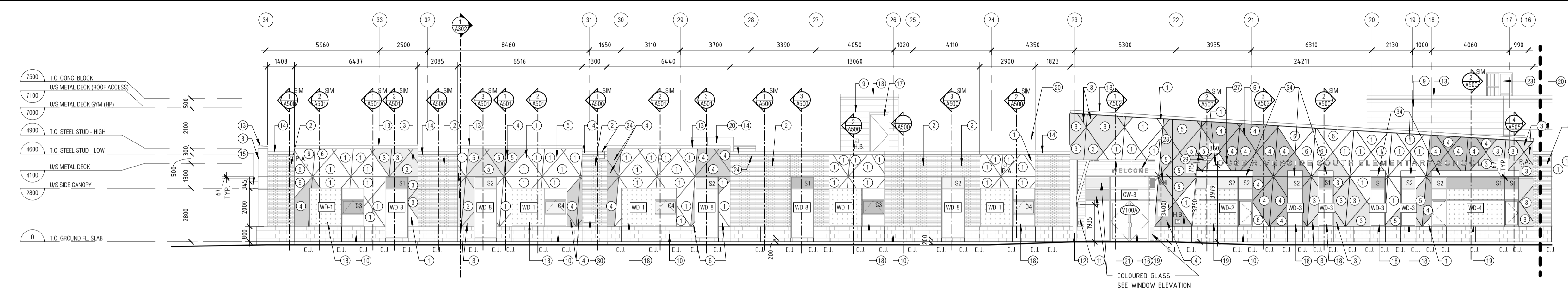
- 1 HIGH PRESSURE LAMINATE - FINISH 1 (OFF-WHITE)
- 2 GREY BRICK - FINISH 2
- 3 HIGH PRESSURE LAMINATE - FINISH 3 (YELLOW)
- 4 HIGH PRESSURE LAMINATE - FINISH 4 (GREY)
- 5 HIGH PRESSURE LAMINATE - FINISH 5 (BLUE)
- 6 HIGH PRESSURE LAMINATE - FINISH 6 (LIME)
- 7 RESERVE
- 8 SIGNAGE (CASH ALLOWANCE)
- 9 PRE-FINISHED HORIZONTAL METAL CLADDING - FINISH 9
- 10 CONCRETE BLOCK - FINISH 10
- 11 ALUMINUM HORIZONTAL CLADDING - FINISH 11 (WOOD TEXTURE)
- 12 GALVANIZED STEEL COLUMN - FINISH 12
- 13 PRE-FINISHED METAL FLASHING - FINISH 13 (TO MATCH WHITE LAMINATE PANEL)
- 14 PRE-FINISHED METAL FLASHING - FINISH 14 (TO MATCH GREY BRICK)
- 15 HIGH PRESSURE LAMINATE - FINISH 15 (WHITE)
- 16 ALUMINUM ENTRANCE FRAMING
- 17 PRESSED STEEL FRAME (PAINTED) & HOLLOW METAL DOOR
- 18 ALUMINUM WINDOW FRAMING
- 19 ALUMINUM CURTAIN WALL FRAMING
- 20 ROOF TOP UNIT - SEE MECH.
- 21 ALUMINUM SOFFIT (WOOD TEXTURE)
- 22 RESERVE
- 23 ROOF ACCESS LADDER C/W CAGE
- 24 SCUPPER (PRE-FINISHED METAL)
- 25 GAS METER - SEE MECHANICAL
- 26 AIR INTAKE WALL BOX - SEE MECHANICAL
- 27 300mm HT. CLEAR ANODIZED LETTERING - SEE CASH ALLOWANCE
- 28 200mm HT. CLEAR ANODIZED LETTERING - SEE CASH ALLOWANCE
- 29 BACK LIT CROSS - SEE ELECTRICAL
- 30 ENCLOSURE FOR TEMPORARY GENERATOR OUTLET - SEE ELECTRICAL SPRAY FOAM & CAULK @ PENETRATION
- 31 LINE UP & SPACE EQUAL ALPHABET, CARD READER & AUTO DOOR OPERATOR @ 1000mm HT.
- 32 INTAKE LOUVER - SEE MECH. COLOUR TO MATCH CEDAR WOOD FINISH.
- 33 ALUMINUM FRAMING WITH TRANSPARENT GLAZING PANEL.
- 34 STEEL SUN SHADE DETAIL.

ELEVATION LEGEND

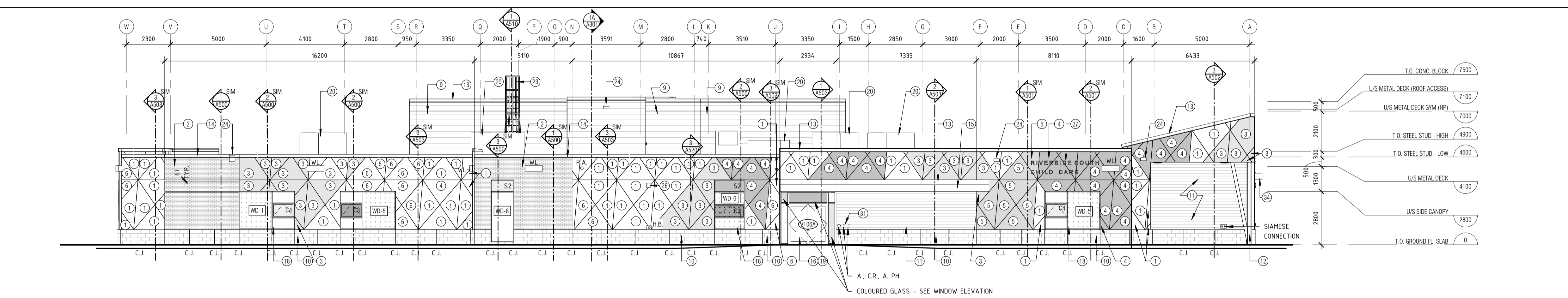
- WL WALL MOUNT LIGHT FIXTURE @ 3800mm
- 25mm LAMINATE PANEL REVEAL (TYP.)
- 67mm CONTINUOUS RECESSED BRICK BAND
- S1 SPANDREL PANEL - COLOUR 1
- S2 SPANDREL PANEL - COLOUR 2
- C3 COLOURED GLASS 3 - SEE A802
- C4 COLOURED GLASS 4 - SEE A802
- C.J. CONTROL JOINT
- P.A. P.A. HORN - SEE ELECT. MOUNT @ 4000mm
- H.B. HOSE BIB CONNECTION - SEE MECHANICAL
- A. AUTO OPERATOR
- C.R. CARD READER
- A.P.H. AI PHONE
- BIRD SAFE GLASS



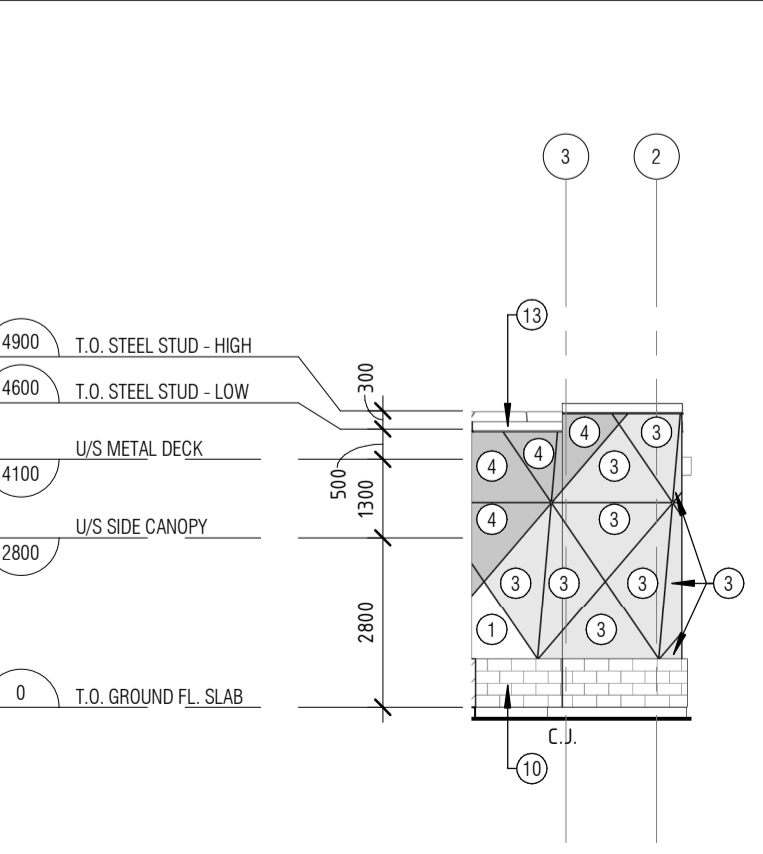
1A SOUTH ELEVATION-PART A
A201 1:125



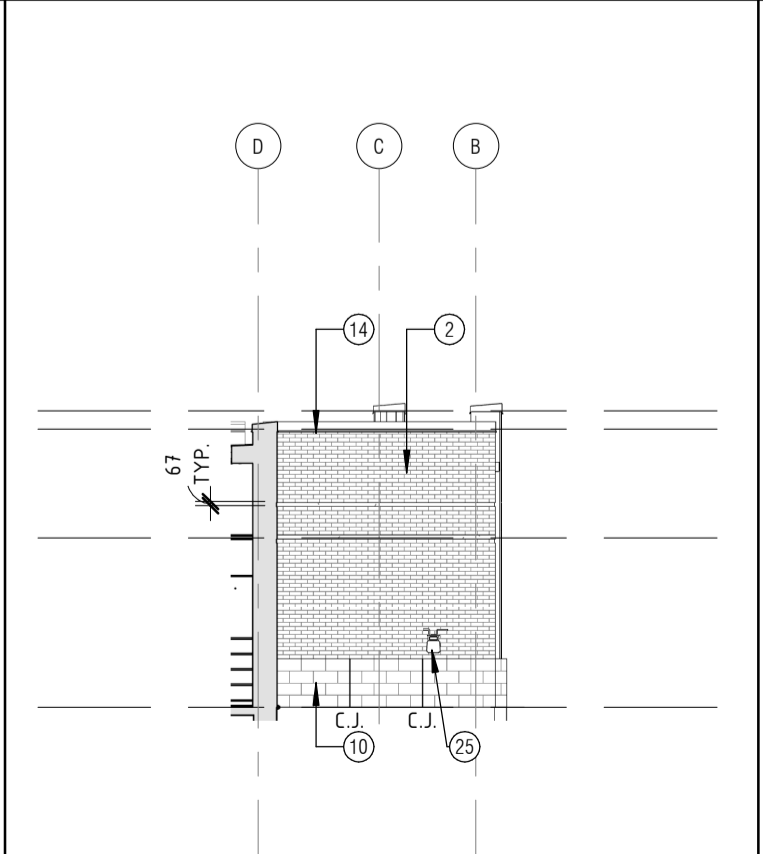
1B SOUTH ELEVATION-PART B
A201 1:125



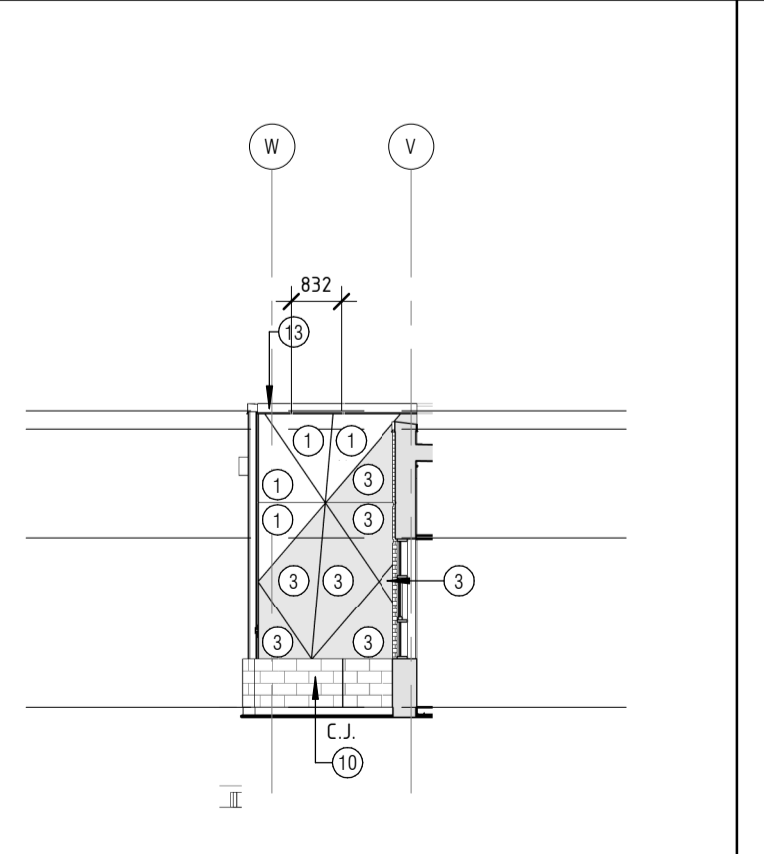
2 WEST ELEVATION
A201 1:125



3 PARTIAL SOUTH ELEVATION 1
A201 1:125



4 PARTIAL WEST ELEVATION 1
A201 1:125



1 PARTIAL WEST ELEVATION 2
A201 1:125

REV	REVISION DESCRIPTION	DATE
4	ISSUED FOR SITE PLAN CONTROL REV 1	JAN/11/2022
3	ISSUED FOR PERMIT	DEC/14/2021
2	ISSUED FOR 85% REVIEW	OCT/21/2021
1	ISSUED FOR SITE PLAN CONTROL	OCT/07/2021

THIS DRAWING IS THE EXCLUSIVE PROPERTY OF PYE & RICHARDS - TEMPRANO & YOUNG ARCHITECTS INC. COPYRIGHT RESERVED

CONTRACTOR TO VERIFY ALL DIMENSIONS AND NOTIFY THE ARCHITECT OF ANY DIMENSIONAL ERRORS AND/OR POSSIBLE TRADE INTERFERENCE/CONFLICT FOR CLARIFICATION PRIOR TO COMMENCEMENT OF THE WORK. DO NOT SCALE DRAWINGS.

SEAL PROJECT NORTH

Not for construction unless SEALED and SIGNED

P R PYE & RICHARDS -
T Y TEMPRANO & YOUNG
ARCHITECTS INC.

824 Meath St. Suite 200 613. 724. 7700
Ottawa, ON K1Z 6E8 info@prty.ca

PROJECT
OCSB RIVERSIDE SOUTH ELEMENTARY SCHOOL

836 SALARIUM AVENUE OTTAWA, ONTARIO

DRAWING
BUILDING ELEVATIONS

PROJECT NO.	22022	DRAWING NO.	A201
SCALE -	AS NOTED	CHECKED -	IR
DRAWN -	YC, DL	PLOT DATE -	JAN/11/2023
CHECKED -	IR	PLOTTED BY -	

SHEET SIZE: A1

D07-12-22-0145



OTTAWA CATHOLIC SCHOOL BOARD

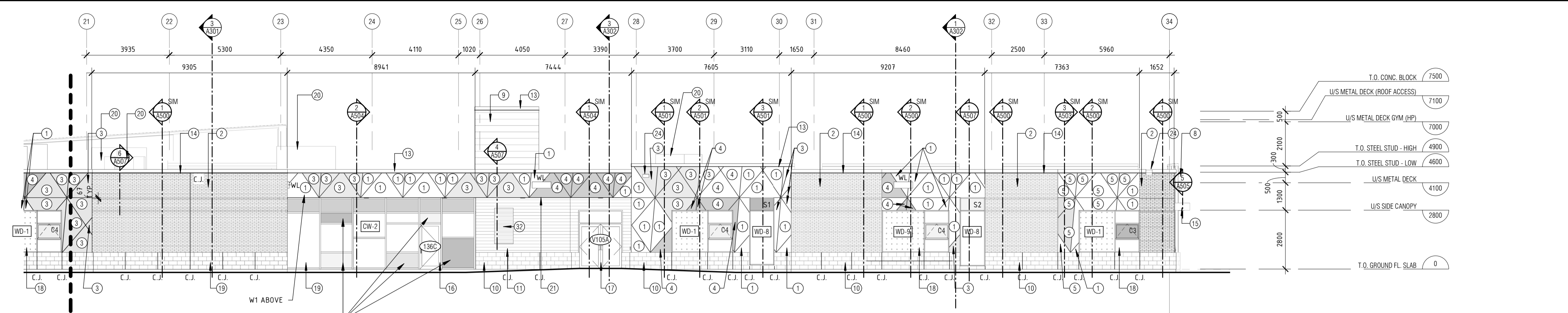
570 WEST HUNT CLUB, NEPEAN, ON. (613)-224-4455

ELEVATION NOTES

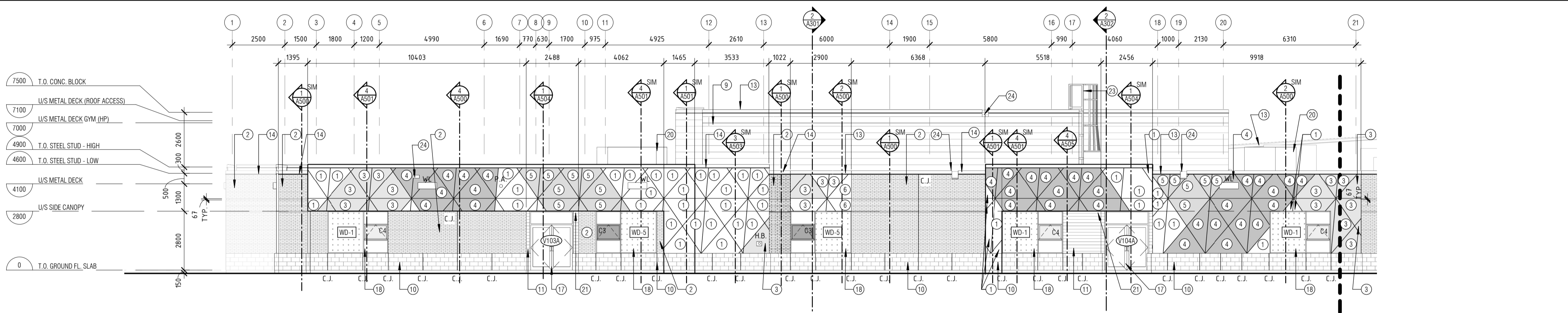
- 1 HIGH PRESSURE LAMINATE - FINISH 1 (OFF-WHITE)
- 2 GREY BRICK - FINISH 2
- 3 HIGH PRESSURE LAMINATE - FINISH 3 (YELLOW)
- 4 HIGH PRESSURE LAMINATE - FINISH 4 (GREY)
- 5 HIGH PRESSURE LAMINATE - FINISH 5 (BLUE)
- 6 HIGH PRESSURE LAMINATE - FINISH 6 (LIME)
- 7 RESERVE
- 8 SIGNAGE (CASH ALLOWANCE)
- 9 PRE-FINISHED HORIZONTAL METAL CLADDING - FINISH 9
- 10 CONCRETE BLOCK - FINISH 10
- 11 ALUMINUM HORIZONTAL CLADDING - FINISH 11 (WOOD TEXTURE)
- 12 GALVANIZED STEEL COLUMN - FINISH 12
- 13 PRE-FINISHED METAL FLASHING - FINISH 13 (TO MATCH WHITE LAMINATE PANEL)
- 14 PRE-FINISHED METAL FLASHING - FINISH 14 (TO MATCH GREY BRICK)
- 15 HIGH PRESSURE LAMINATE - FINISH 15 (WHITE)
- 16 ALUMINUM ENTRANCE FRAMING
- 17 PRESSED STEEL FRAME (PAINTED) & HOLLOW METAL DOOR
- 18 ALUMINUM WINDOW FRAMING
- 19 ALUMINUM CURTAIN WALL FRAMING
- 20 ROOF TOP UNIT - SEE MECH.
- 21 RESERVE
- 22 ROOF ACCESS LADDER C/W CAGE
- 23 SCUPPER (PRE-FINISHED METAL)
- 24 GAS METER - SEE MECHANICAL
- 25 AIR INTAKE WALL BOX - SEE MECHANICAL
- 26 300mm HT. CLEAR ANODIZED LETTERING - SEE CASH ALLOWANCE
- 27 200mm HT. CLEAR ANODIZED LETTERING - SEE CASH ALLOWANCE @ 1000mm HT.
- 28 BACK LIT CROSS - SEE ELECTRICAL
- 29 ENCLOSURE FOR TEMPORARY GENERATOR OUTLET - SEE ELECTRICAL SPRAY FOAM & CAULK @ PENETRATION
- 30 LINE UP & SPACE EQUALL. APHONE, CARD READER & AUTO DOOR OPERATOR @ 1000mm HT.
- 31 INTAKE LOUVER - SEE MECH. COLOUR TO MATCH CEDAR WOOD FINISH.
- 32 ALUMINUM FRAMING WITH TRANSLUCENT GLAZING PANEL
- 33 STEEL SUN SHADE DETAIL

ELEVATION LEGEND

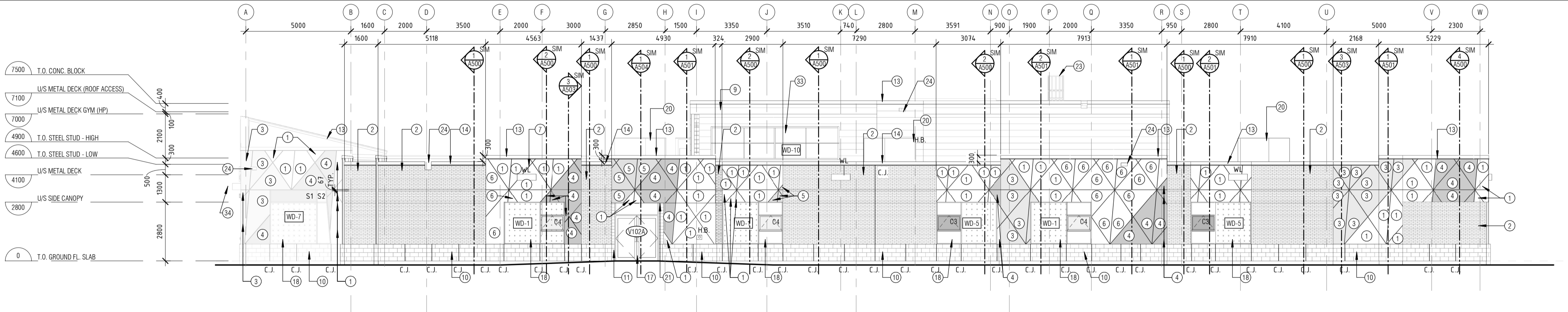
- WL WALL MOUNT LIGHT FIXTURE @ 3800mm
- 25mm LAMINATE PANEL REVEAL (TYP.)
- 67mm CONTINUOUS RECESSED BRICK BAND
- S1 SPANDREL PANEL - COLOUR 1
- S2 SPANDREL PANEL - COLOUR 2
- C3 COLOURED GLASS 3 - SEE A802
- C4 COLOURED GLASS 4 - SEE A802
- C.J. CONTROL JOINT
-MAX. 6m @ BRICK
-MAX. 1.6m @ ARCH. BLOCK
- P.A. P.A. HORN - SEE ELECT.
MOUNT @ 4000mm
- H.B. HOSE BIB CONNECTION - SEE MECHANICAL
- A. AUTO OPERATOR
- C.R. CARD READER
- A.P.H. AI PHONE
- BIRD SAFE GLASS



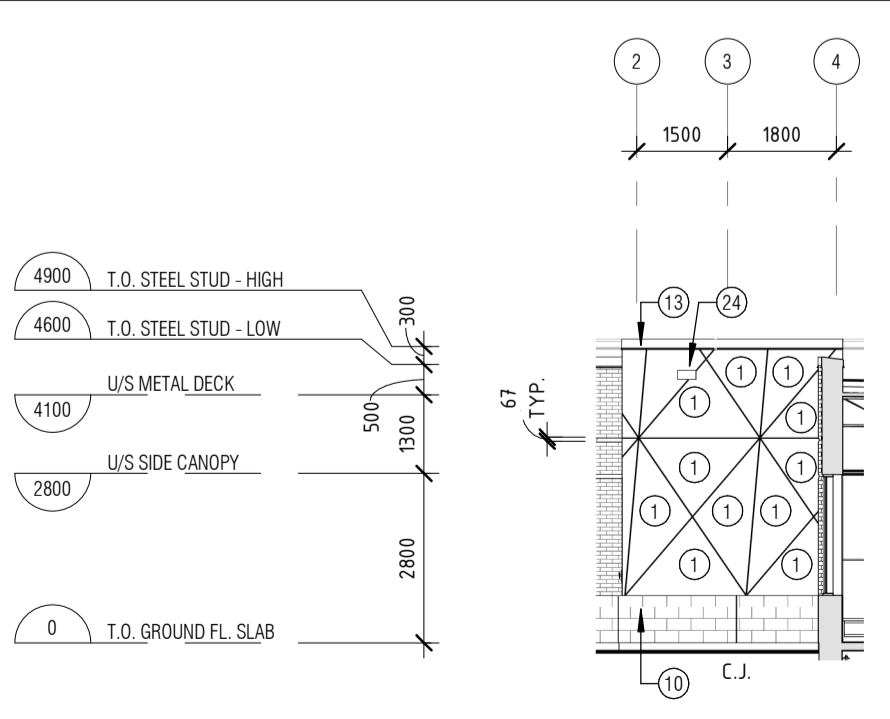
1A NORTH ELEVATION-PART A
A202 1:125



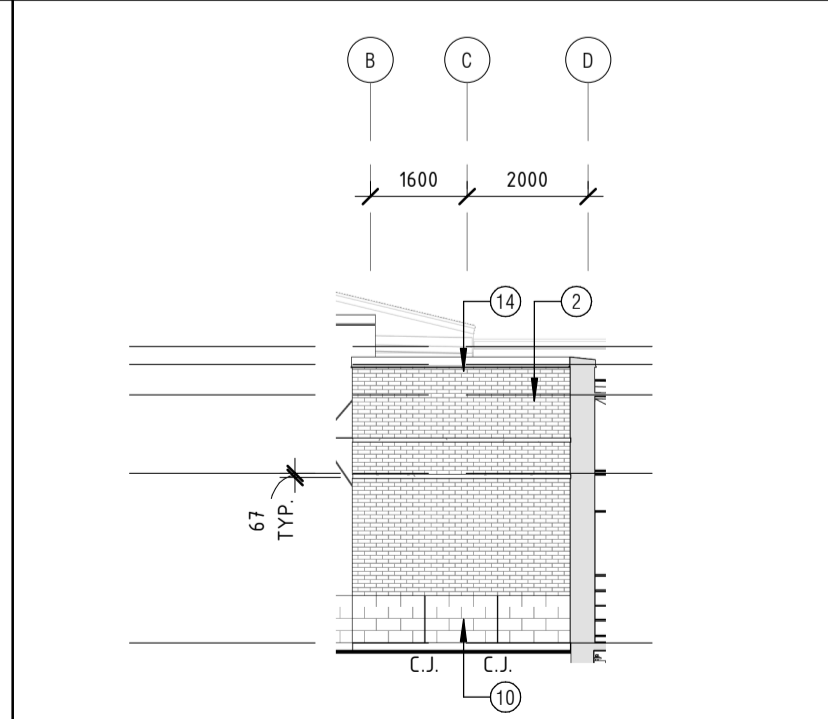
1B NORTH ELEVATION-PART B
A202 1:125



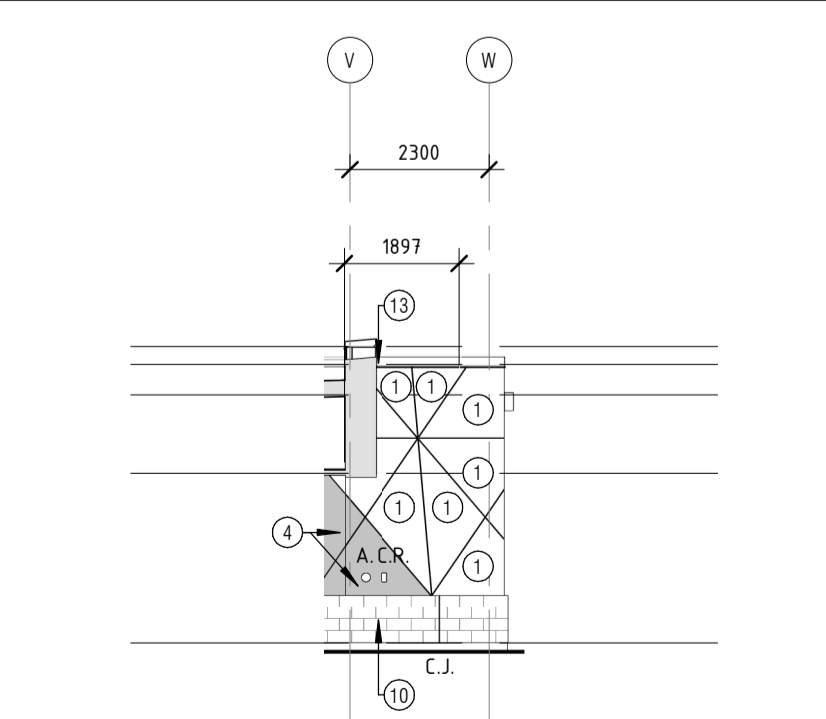
2 EAST ELEVATION
A202 1:125



3 PARTIAL NORTH ELEVATION 1
A202 1:125



1 PARTIAL EAST ELEVATION 1
A202 1:125



4 PARTIAL EAST ELEVATION 2
A202 1:125

REV	REVISION DESCRIPTION	DATE
4	ISSUED FOR SITE PLAN CONTROL REV 1	JAN/11/2022
3	ISSUED FOR PERMIT	DEC/14/2022
2	ISSUED FOR 85% REVIEW	OCT/21/2022
1	ISSUED FOR SITE PLAN CONTROL	OCT/07/2022

THIS DRAWING IS THE EXCLUSIVE PROPERTY OF PYE & RICHARDS - TEMPRANO & YOUNG ARCHITECTS INC. COPYRIGHT RESERVED
CONTRACTOR TO VERIFY ALL DIMENSIONS AND NOTIFY THE ARCHITECT OF ANY DIMENSIONAL ERRORS AND/OR POSSIBLE TRADE INTERFERENCE/CONFLICT FOR CLARIFICATION PRIOR TO COMMENCEMENT OF THE WORK. DO NOT SCALE DRAWINGS.

SEAL PROJECT NORTH

Not for construction unless SEALED and SIGNED

P R PYE & RICHARDS -
T Y TEMPRANO & YOUNG
ARCHITECTS INC.

824 Meath St. Suite 200 613. 724. 7700
Ottawa, ON K1Z 6E8 info@prty.ca

PROJECT
OCSB RIVERSIDE SOUTH ELEMENTARY SCHOOL

836 SOLARIUM AVENUE OTTAWA, ONTARIO

DRAWING
BUILDING ELEVATIONS

PROJECT NO.	22022	DRAWING NO.	A202
SCALE	AS NOTED		
DRAWN	YC, DL		
CHECKED	IR		
PLOT DATE	JAN/11/2023	PLOTTED BY	

PLOT SCALE - 1:1

SHEET SIZE: A1