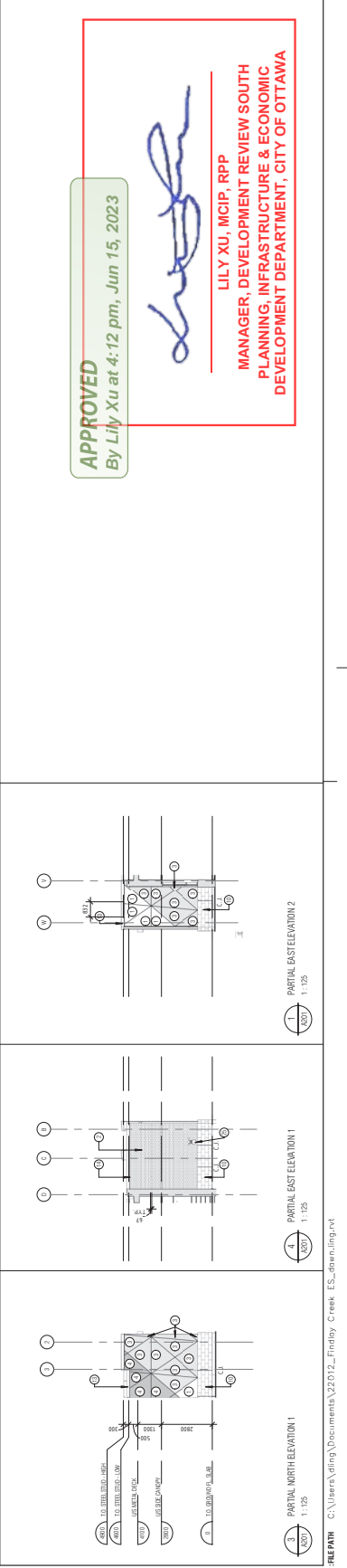
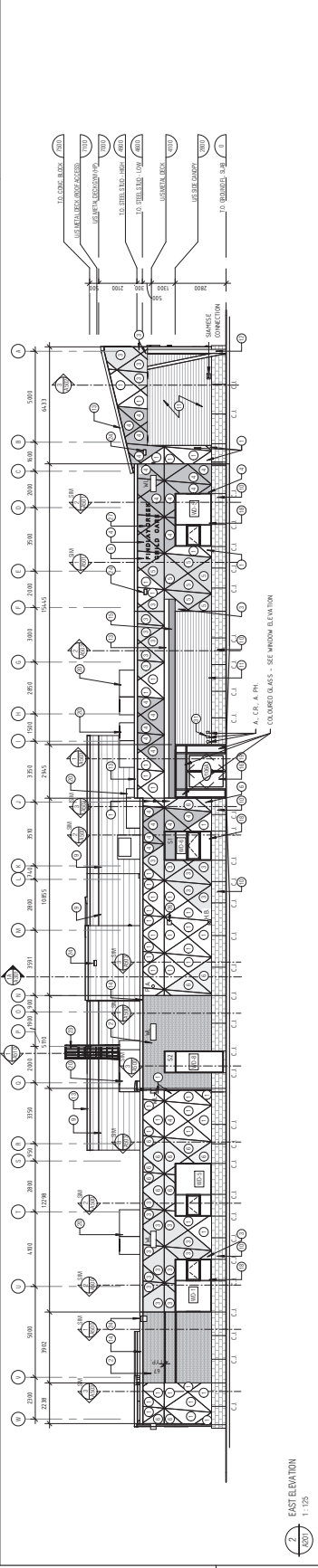
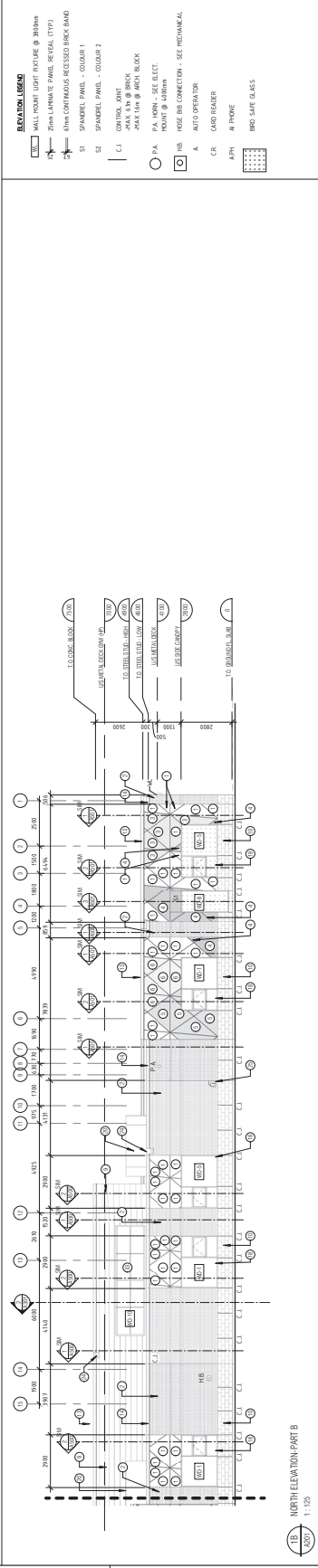
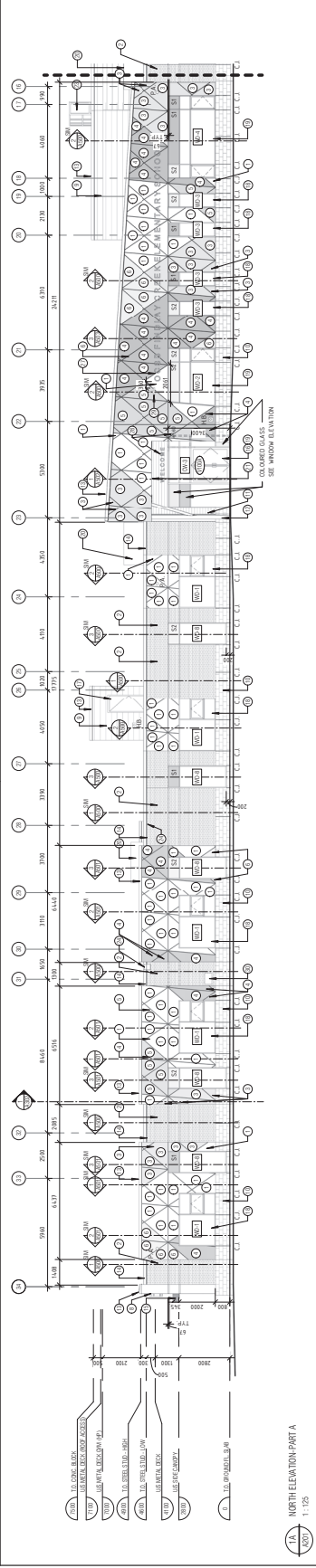





STYLIST: MATHIEU BÉGIN, INC. 051-524-8485

ELEVATION NOTES

- 1. IMPERMEABLE LAMINATE - FINISH (GYP. FINISH)
- 2. IMPERMEABLE LAMINATE - FINISH (WOOD GRAIN)
- 3. IMPERMEABLE LAMINATE - FINISH (WOOD GRAIN)
- 4. IMPERMEABLE LAMINATE - FINISH (WOOD GRAIN)
- 5. IMPERMEABLE LAMINATE - FINISH (WOOD GRAIN)
- 6. IMPERMEABLE LAMINATE - FINISH (WOOD GRAIN)
- 7. IMPERMEABLE LAMINATE - FINISH (WOOD GRAIN)
- 8. IMPERMEABLE LAMINATE - FINISH (WOOD GRAIN)
- 9. IMPERMEABLE LAMINATE - FINISH (WOOD GRAIN)
- 10. IMPERMEABLE LAMINATE - FINISH (WOOD GRAIN)
- 11. IMPERMEABLE LAMINATE - FINISH (WOOD GRAIN)
- 12. IMPERMEABLE LAMINATE - FINISH (WOOD GRAIN)
- 13. IMPERMEABLE LAMINATE - FINISH (WOOD GRAIN)
- 14. IMPERMEABLE LAMINATE - FINISH (WOOD GRAIN)
- 15. IMPERMEABLE LAMINATE - FINISH (WOOD GRAIN)
- 16. IMPERMEABLE LAMINATE - FINISH (WOOD GRAIN)
- 17. IMPERMEABLE LAMINATE - FINISH (WOOD GRAIN)
- 18. IMPERMEABLE LAMINATE - FINISH (WOOD GRAIN)
- 19. IMPERMEABLE LAMINATE - FINISH (WOOD GRAIN)
- 20. IMPERMEABLE LAMINATE - FINISH (WOOD GRAIN)
- 21. IMPERMEABLE LAMINATE - FINISH (WOOD GRAIN)
- 22. IMPERMEABLE LAMINATE - FINISH (WOOD GRAIN)
- 23. IMPERMEABLE LAMINATE - FINISH (WOOD GRAIN)
- 24. IMPERMEABLE LAMINATE - FINISH (WOOD GRAIN)
- 25. IMPERMEABLE LAMINATE - FINISH (WOOD GRAIN)
- 26. IMPERMEABLE LAMINATE - FINISH (WOOD GRAIN)
- 27. IMPERMEABLE LAMINATE - FINISH (WOOD GRAIN)
- 28. IMPERMEABLE LAMINATE - FINISH (WOOD GRAIN)
- 29. IMPERMEABLE LAMINATE - FINISH (WOOD GRAIN)
- 30. IMPERMEABLE LAMINATE - FINISH (WOOD GRAIN)
- 31. IMPERMEABLE LAMINATE - FINISH (WOOD GRAIN)
- 32. IMPERMEABLE LAMINATE - FINISH (WOOD GRAIN)
- 33. IMPERMEABLE LAMINATE - FINISH (WOOD GRAIN)
- 34. IMPERMEABLE LAMINATE - FINISH (WOOD GRAIN)
- 35. IMPERMEABLE LAMINATE - FINISH (WOOD GRAIN)
- 36. IMPERMEABLE LAMINATE - FINISH (WOOD GRAIN)
- 37. IMPERMEABLE LAMINATE - FINISH (WOOD GRAIN)
- 38. IMPERMEABLE LAMINATE - FINISH (WOOD GRAIN)
- 39. IMPERMEABLE LAMINATE - FINISH (WOOD GRAIN)
- 40. IMPERMEABLE LAMINATE - FINISH (WOOD GRAIN)
- 41. IMPERMEABLE LAMINATE - FINISH (WOOD GRAIN)
- 42. IMPERMEABLE LAMINATE - FINISH (WOOD GRAIN)
- 43. IMPERMEABLE LAMINATE - FINISH (WOOD GRAIN)
- 44. IMPERMEABLE LAMINATE - FINISH (WOOD GRAIN)
- 45. IMPERMEABLE LAMINATE - FINISH (WOOD GRAIN)
- 46. IMPERMEABLE LAMINATE - FINISH (WOOD GRAIN)
- 47. IMPERMEABLE LAMINATE - FINISH (WOOD GRAIN)
- 48. IMPERMEABLE LAMINATE - FINISH (WOOD GRAIN)
- 49. IMPERMEABLE LAMINATE - FINISH (WOOD GRAIN)
- 50. IMPERMEABLE LAMINATE - FINISH (WOOD GRAIN)
- 51. IMPERMEABLE LAMINATE - FINISH (WOOD GRAIN)
- 52. IMPERMEABLE LAMINATE - FINISH (WOOD GRAIN)
- 53. IMPERMEABLE LAMINATE - FINISH (WOOD GRAIN)
- 54. IMPERMEABLE LAMINATE - FINISH (WOOD GRAIN)
- 55. IMPERMEABLE LAMINATE - FINISH (WOOD GRAIN)
- 56. IMPERMEABLE LAMINATE - FINISH (WOOD GRAIN)
- 57. IMPERMEABLE LAMINATE - FINISH (WOOD GRAIN)
- 58. IMPERMEABLE LAMINATE - FINISH (WOOD GRAIN)
- 59. IMPERMEABLE LAMINATE - FINISH (WOOD GRAIN)
- 60. IMPERMEABLE LAMINATE - FINISH (WOOD GRAIN)
- 61. IMPERMEABLE LAMINATE - FINISH (WOOD GRAIN)
- 62. IMPERMEABLE LAMINATE - FINISH (WOOD GRAIN)
- 63. IMPERMEABLE LAMINATE - FINISH (WOOD GRAIN)
- 64. IMPERMEABLE LAMINATE - FINISH (WOOD GRAIN)
- 65. IMPERMEABLE LAMINATE - FINISH (WOOD GRAIN)
- 66. IMPERMEABLE LAMINATE - FINISH (WOOD GRAIN)
- 67. IMPERMEABLE LAMINATE - FINISH (WOOD GRAIN)
- 68. IMPERMEABLE LAMINATE - FINISH (WOOD GRAIN)
- 69. IMPERMEABLE LAMINATE - FINISH (WOOD GRAIN)
- 70. IMPERMEABLE LAMINATE - FINISH (WOOD GRAIN)
- 71. IMPERMEABLE LAMINATE - FINISH (WOOD GRAIN)
- 72. IMPERMEABLE LAMINATE - FINISH (WOOD GRAIN)
- 73. IMPERMEABLE LAMINATE - FINISH (WOOD GRAIN)
- 74. IMPERMEABLE LAMINATE - FINISH (WOOD GRAIN)
- 75. IMPERMEABLE LAMINATE - FINISH (WOOD GRAIN)
- 76. IMPERMEABLE LAMINATE - FINISH (WOOD GRAIN)
- 77. IMPERMEABLE LAMINATE - FINISH (WOOD GRAIN)
- 78. IMPERMEABLE LAMINATE - FINISH (WOOD GRAIN)
- 79. IMPERMEABLE LAMINATE - FINISH (WOOD GRAIN)
- 80. IMPERMEABLE LAMINATE - FINISH (WOOD GRAIN)
- 81. IMPERMEABLE LAMINATE - FINISH (WOOD GRAIN)
- 82. IMPERMEABLE LAMINATE - FINISH (WOOD GRAIN)
- 83. IMPERMEABLE LAMINATE - FINISH (WOOD GRAIN)
- 84. IMPERMEABLE LAMINATE - FINISH (WOOD GRAIN)
- 85. IMPERMEABLE LAMINATE - FINISH (WOOD GRAIN)
- 86. IMPERMEABLE LAMINATE - FINISH (WOOD GRAIN)
- 87. IMPERMEABLE LAMINATE - FINISH (WOOD GRAIN)
- 88. IMPERMEABLE LAMINATE - FINISH (WOOD GRAIN)
- 89. IMPERMEABLE LAMINATE - FINISH (WOOD GRAIN)
- 90. IMPERMEABLE LAMINATE - FINISH (WOOD GRAIN)
- 91. IMPERMEABLE LAMINATE - FINISH (WOOD GRAIN)
- 92. IMPERMEABLE LAMINATE - FINISH (WOOD GRAIN)
- 93. IMPERMEABLE LAMINATE - FINISH (WOOD GRAIN)
- 94. IMPERMEABLE LAMINATE - FINISH (WOOD GRAIN)
- 95. IMPERMEABLE LAMINATE - FINISH (WOOD GRAIN)
- 96. IMPERMEABLE LAMINATE - FINISH (WOOD GRAIN)
- 97. IMPERMEABLE LAMINATE - FINISH (WOOD GRAIN)
- 98. IMPERMEABLE LAMINATE - FINISH (WOOD GRAIN)
- 99. IMPERMEABLE LAMINATE - FINISH (WOOD GRAIN)
- 100. IMPERMEABLE LAMINATE - FINISH (WOOD GRAIN)



APPROVED
By Lily Xu at 4:12 pm, Jun 15, 2023



LILY XU, MCIP, RPP
MANAGER, INFRASTRUCTURE & ECONOMIC
DEVELOPMENT DEPARTMENT, CITY OF OTTAWA



OTTAWA CATHOLIC SCHOOL BOARD

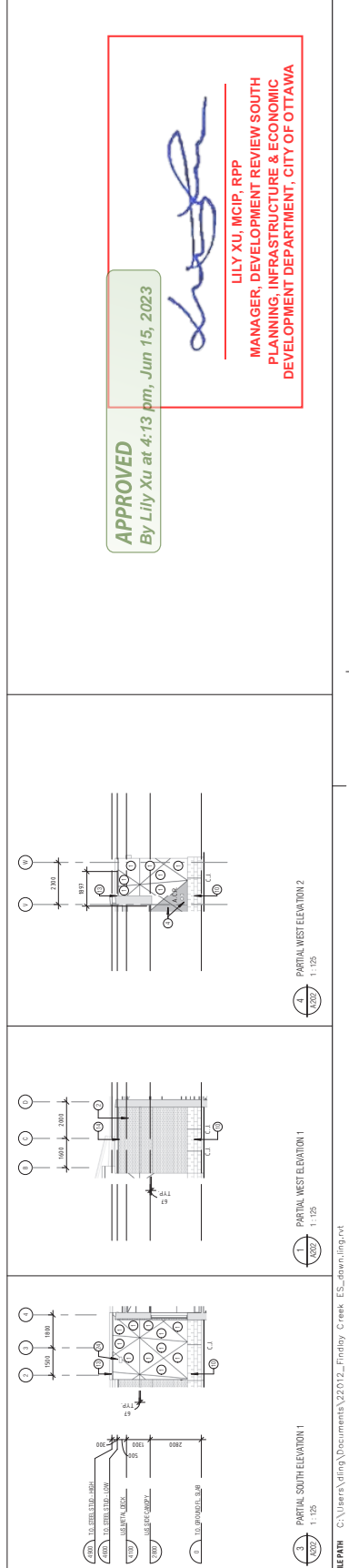
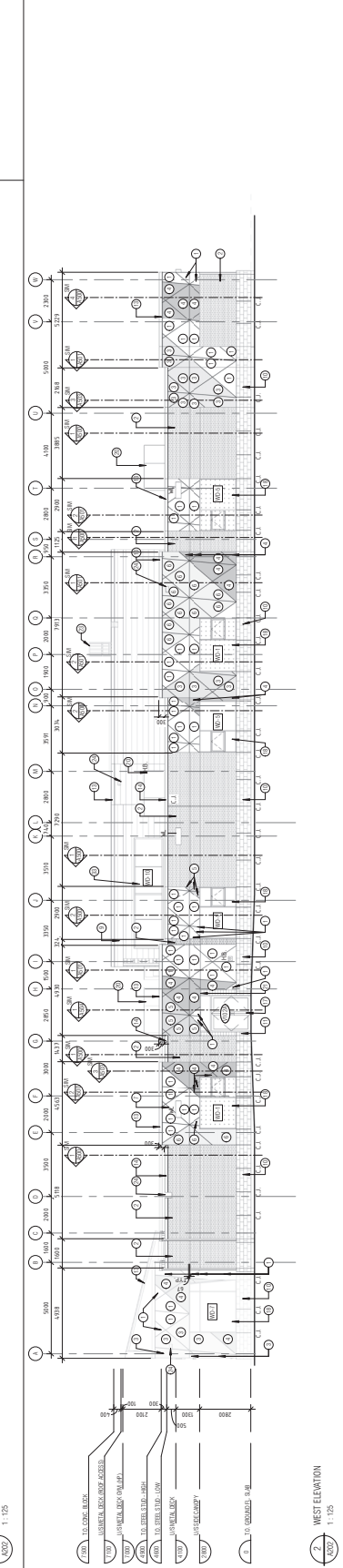
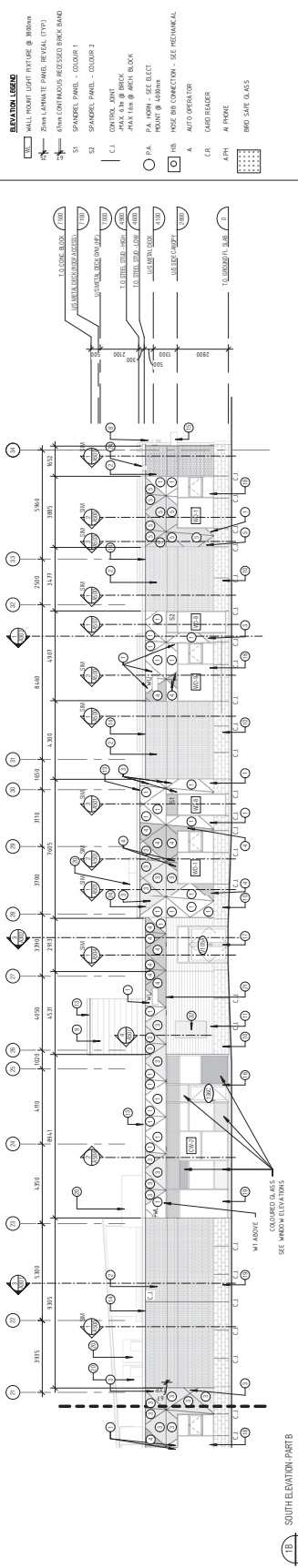
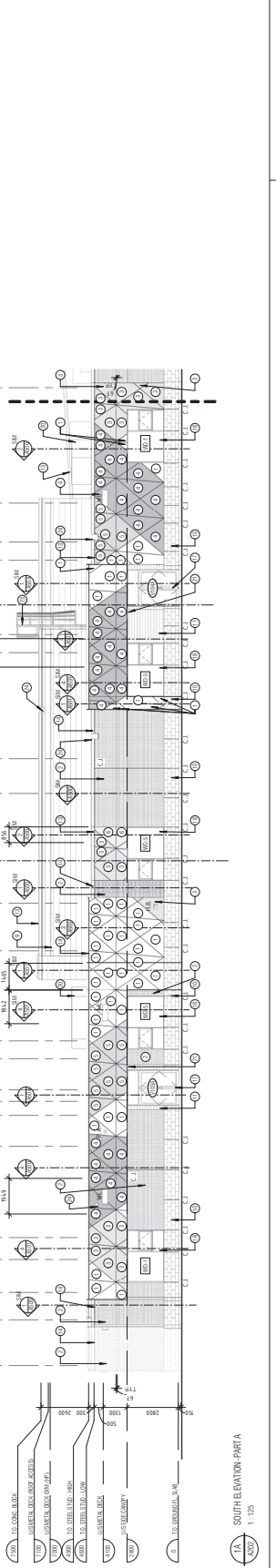
STREET ADDRESS: 1000 RIVERVIEW BLVD. #311-024-845

ELEVATION NOTES

- 1. INSULATION: FIBRE GLASS BATT
- 2. EXTERIOR FINISH: BRICK
- 3. INTERIOR FINISH: GYP BOARD
- 4. INSULATION: FIBRE GLASS BATT
- 5. INTERIOR FINISH: GYP BOARD
- 6. INSULATION: FIBRE GLASS BATT
- 7. INTERIOR FINISH: GYP BOARD
- 8. INTERIOR FINISH: GYP BOARD
- 9. INTERIOR FINISH: GYP BOARD
- 10. INTERIOR FINISH: GYP BOARD
- 11. INTERIOR FINISH: GYP BOARD
- 12. INTERIOR FINISH: GYP BOARD
- 13. INTERIOR FINISH: GYP BOARD
- 14. INTERIOR FINISH: GYP BOARD
- 15. INTERIOR FINISH: GYP BOARD
- 16. INTERIOR FINISH: GYP BOARD
- 17. INTERIOR FINISH: GYP BOARD
- 18. INTERIOR FINISH: GYP BOARD
- 19. INTERIOR FINISH: GYP BOARD
- 20. INTERIOR FINISH: GYP BOARD
- 21. INTERIOR FINISH: GYP BOARD
- 22. INTERIOR FINISH: GYP BOARD
- 23. INTERIOR FINISH: GYP BOARD
- 24. INTERIOR FINISH: GYP BOARD
- 25. INTERIOR FINISH: GYP BOARD
- 26. INTERIOR FINISH: GYP BOARD
- 27. INTERIOR FINISH: GYP BOARD
- 28. INTERIOR FINISH: GYP BOARD
- 29. INTERIOR FINISH: GYP BOARD
- 30. INTERIOR FINISH: GYP BOARD
- 31. INTERIOR FINISH: GYP BOARD
- 32. INTERIOR FINISH: GYP BOARD
- 33. INTERIOR FINISH: GYP BOARD
- 34. INTERIOR FINISH: GYP BOARD
- 35. INTERIOR FINISH: GYP BOARD
- 36. INTERIOR FINISH: GYP BOARD
- 37. INTERIOR FINISH: GYP BOARD
- 38. INTERIOR FINISH: GYP BOARD
- 39. INTERIOR FINISH: GYP BOARD
- 40. INTERIOR FINISH: GYP BOARD
- 41. INTERIOR FINISH: GYP BOARD
- 42. INTERIOR FINISH: GYP BOARD
- 43. INTERIOR FINISH: GYP BOARD
- 44. INTERIOR FINISH: GYP BOARD
- 45. INTERIOR FINISH: GYP BOARD
- 46. INTERIOR FINISH: GYP BOARD
- 47. INTERIOR FINISH: GYP BOARD
- 48. INTERIOR FINISH: GYP BOARD
- 49. INTERIOR FINISH: GYP BOARD
- 50. INTERIOR FINISH: GYP BOARD
- 51. INTERIOR FINISH: GYP BOARD
- 52. INTERIOR FINISH: GYP BOARD
- 53. INTERIOR FINISH: GYP BOARD
- 54. INTERIOR FINISH: GYP BOARD
- 55. INTERIOR FINISH: GYP BOARD
- 56. INTERIOR FINISH: GYP BOARD
- 57. INTERIOR FINISH: GYP BOARD
- 58. INTERIOR FINISH: GYP BOARD
- 59. INTERIOR FINISH: GYP BOARD
- 60. INTERIOR FINISH: GYP BOARD
- 61. INTERIOR FINISH: GYP BOARD
- 62. INTERIOR FINISH: GYP BOARD
- 63. INTERIOR FINISH: GYP BOARD
- 64. INTERIOR FINISH: GYP BOARD
- 65. INTERIOR FINISH: GYP BOARD
- 66. INTERIOR FINISH: GYP BOARD
- 67. INTERIOR FINISH: GYP BOARD
- 68. INTERIOR FINISH: GYP BOARD
- 69. INTERIOR FINISH: GYP BOARD
- 70. INTERIOR FINISH: GYP BOARD
- 71. INTERIOR FINISH: GYP BOARD
- 72. INTERIOR FINISH: GYP BOARD
- 73. INTERIOR FINISH: GYP BOARD
- 74. INTERIOR FINISH: GYP BOARD
- 75. INTERIOR FINISH: GYP BOARD
- 76. INTERIOR FINISH: GYP BOARD
- 77. INTERIOR FINISH: GYP BOARD
- 78. INTERIOR FINISH: GYP BOARD
- 79. INTERIOR FINISH: GYP BOARD
- 80. INTERIOR FINISH: GYP BOARD
- 81. INTERIOR FINISH: GYP BOARD
- 82. INTERIOR FINISH: GYP BOARD
- 83. INTERIOR FINISH: GYP BOARD
- 84. INTERIOR FINISH: GYP BOARD
- 85. INTERIOR FINISH: GYP BOARD
- 86. INTERIOR FINISH: GYP BOARD
- 87. INTERIOR FINISH: GYP BOARD
- 88. INTERIOR FINISH: GYP BOARD
- 89. INTERIOR FINISH: GYP BOARD
- 90. INTERIOR FINISH: GYP BOARD
- 91. INTERIOR FINISH: GYP BOARD
- 92. INTERIOR FINISH: GYP BOARD
- 93. INTERIOR FINISH: GYP BOARD
- 94. INTERIOR FINISH: GYP BOARD
- 95. INTERIOR FINISH: GYP BOARD
- 96. INTERIOR FINISH: GYP BOARD
- 97. INTERIOR FINISH: GYP BOARD
- 98. INTERIOR FINISH: GYP BOARD
- 99. INTERIOR FINISH: GYP BOARD
- 100. INTERIOR FINISH: GYP BOARD

ELEVATION LEGEND

- 1. WALL POINT LIGHT FIXTURE @ WINDOW
- 2. SPANDREL PANEL - REVEAL (TYPE 1)
- 3. SPANDREL PANEL - REVEAL (TYPE 2)
- 4. SPANDREL PANEL - COLOUR 1
- 5. SPANDREL PANEL - COLOUR 2
- 6. CONTROL JOINT
- 7. 4x4x4x4 @ BRICK
- 8. 4x4x4x4 @ BRICK
- 9. 4x4x4x4 @ BRICK
- 10. 4x4x4x4 @ BRICK
- 11. 4x4x4x4 @ BRICK
- 12. 4x4x4x4 @ BRICK
- 13. 4x4x4x4 @ BRICK
- 14. 4x4x4x4 @ BRICK
- 15. 4x4x4x4 @ BRICK
- 16. 4x4x4x4 @ BRICK
- 17. 4x4x4x4 @ BRICK
- 18. 4x4x4x4 @ BRICK
- 19. 4x4x4x4 @ BRICK
- 20. 4x4x4x4 @ BRICK
- 21. 4x4x4x4 @ BRICK
- 22. 4x4x4x4 @ BRICK
- 23. 4x4x4x4 @ BRICK
- 24. 4x4x4x4 @ BRICK
- 25. 4x4x4x4 @ BRICK
- 26. 4x4x4x4 @ BRICK
- 27. 4x4x4x4 @ BRICK
- 28. 4x4x4x4 @ BRICK
- 29. 4x4x4x4 @ BRICK
- 30. 4x4x4x4 @ BRICK
- 31. 4x4x4x4 @ BRICK
- 32. 4x4x4x4 @ BRICK
- 33. 4x4x4x4 @ BRICK
- 34. 4x4x4x4 @ BRICK
- 35. 4x4x4x4 @ BRICK
- 36. 4x4x4x4 @ BRICK
- 37. 4x4x4x4 @ BRICK
- 38. 4x4x4x4 @ BRICK
- 39. 4x4x4x4 @ BRICK
- 40. 4x4x4x4 @ BRICK
- 41. 4x4x4x4 @ BRICK
- 42. 4x4x4x4 @ BRICK
- 43. 4x4x4x4 @ BRICK
- 44. 4x4x4x4 @ BRICK
- 45. 4x4x4x4 @ BRICK
- 46. 4x4x4x4 @ BRICK
- 47. 4x4x4x4 @ BRICK
- 48. 4x4x4x4 @ BRICK
- 49. 4x4x4x4 @ BRICK
- 50. 4x4x4x4 @ BRICK
- 51. 4x4x4x4 @ BRICK
- 52. 4x4x4x4 @ BRICK
- 53. 4x4x4x4 @ BRICK
- 54. 4x4x4x4 @ BRICK
- 55. 4x4x4x4 @ BRICK
- 56. 4x4x4x4 @ BRICK
- 57. 4x4x4x4 @ BRICK
- 58. 4x4x4x4 @ BRICK
- 59. 4x4x4x4 @ BRICK
- 60. 4x4x4x4 @ BRICK
- 61. 4x4x4x4 @ BRICK
- 62. 4x4x4x4 @ BRICK
- 63. 4x4x4x4 @ BRICK
- 64. 4x4x4x4 @ BRICK
- 65. 4x4x4x4 @ BRICK
- 66. 4x4x4x4 @ BRICK
- 67. 4x4x4x4 @ BRICK
- 68. 4x4x4x4 @ BRICK
- 69. 4x4x4x4 @ BRICK
- 70. 4x4x4x4 @ BRICK
- 71. 4x4x4x4 @ BRICK
- 72. 4x4x4x4 @ BRICK
- 73. 4x4x4x4 @ BRICK
- 74. 4x4x4x4 @ BRICK
- 75. 4x4x4x4 @ BRICK
- 76. 4x4x4x4 @ BRICK
- 77. 4x4x4x4 @ BRICK
- 78. 4x4x4x4 @ BRICK
- 79. 4x4x4x4 @ BRICK
- 80. 4x4x4x4 @ BRICK
- 81. 4x4x4x4 @ BRICK
- 82. 4x4x4x4 @ BRICK
- 83. 4x4x4x4 @ BRICK
- 84. 4x4x4x4 @ BRICK
- 85. 4x4x4x4 @ BRICK
- 86. 4x4x4x4 @ BRICK
- 87. 4x4x4x4 @ BRICK
- 88. 4x4x4x4 @ BRICK
- 89. 4x4x4x4 @ BRICK
- 90. 4x4x4x4 @ BRICK
- 91. 4x4x4x4 @ BRICK
- 92. 4x4x4x4 @ BRICK
- 93. 4x4x4x4 @ BRICK
- 94. 4x4x4x4 @ BRICK
- 95. 4x4x4x4 @ BRICK
- 96. 4x4x4x4 @ BRICK
- 97. 4x4x4x4 @ BRICK
- 98. 4x4x4x4 @ BRICK
- 99. 4x4x4x4 @ BRICK
- 100. 4x4x4x4 @ BRICK



PROJECT NO. 22012
 SCALE: AS NOTED
 DRAWN: VC, DL
 CHECKED: -
 PROJECT DATE: 05/07/2023

PROJECT: OCSS FINDLAY CREEK CATHOLIC ELEMENTARY SCHOOL
 DRAWING: BUILDING ELEVATIONS
 4-10 KELLY FRANKOWE
 OTTAWA, ONTARIO

PRY & RICHARDS -
 TRAPRANO & YOUNG
 ARCHITECTS INC.
 824 Meath St. Suite 200
 Ottawa, ON K1Z 4E8
 info@pty.ca

ASSOCIATION OF ARCHITECTS OF ONTARIO
 SEAL
 PROJECT NORTH

NOT FOR CONSTRUCTION UNLESS SEALED AND SIGNED

LILY XU, MCIP, RPP
 MANAGER, DEVELOPMENT REVIEW SOUTH
 PLANNING, INFRASTRUCTURE & ECONOMIC
 DEVELOPMENT DEPARTMENT, CITY OF OTTAWA

APPROVED
 By Lily Xu at 4:13 pm, Jun 15, 2023

PROJECT NO. 22012
 SCALE: AS NOTED
 DRAWN: VC, DL
 CHECKED: -
 PROJECT DATE: 05/07/2023

PROJECT: OCSS FINDLAY CREEK CATHOLIC ELEMENTARY SCHOOL
 DRAWING: BUILDING ELEVATIONS
 4-10 KELLY FRANKOWE
 OTTAWA, ONTARIO

ASSOCIATION OF ARCHITECTS OF ONTARIO
 SEAL
 PROJECT NORTH

NOT FOR CONSTRUCTION UNLESS SEALED AND SIGNED

LILY XU, MCIP, RPP
 MANAGER, DEVELOPMENT REVIEW SOUTH
 PLANNING, INFRASTRUCTURE & ECONOMIC
 DEVELOPMENT DEPARTMENT, CITY OF OTTAWA

APPROVED
 By Lily Xu at 4:13 pm, Jun 15, 2023