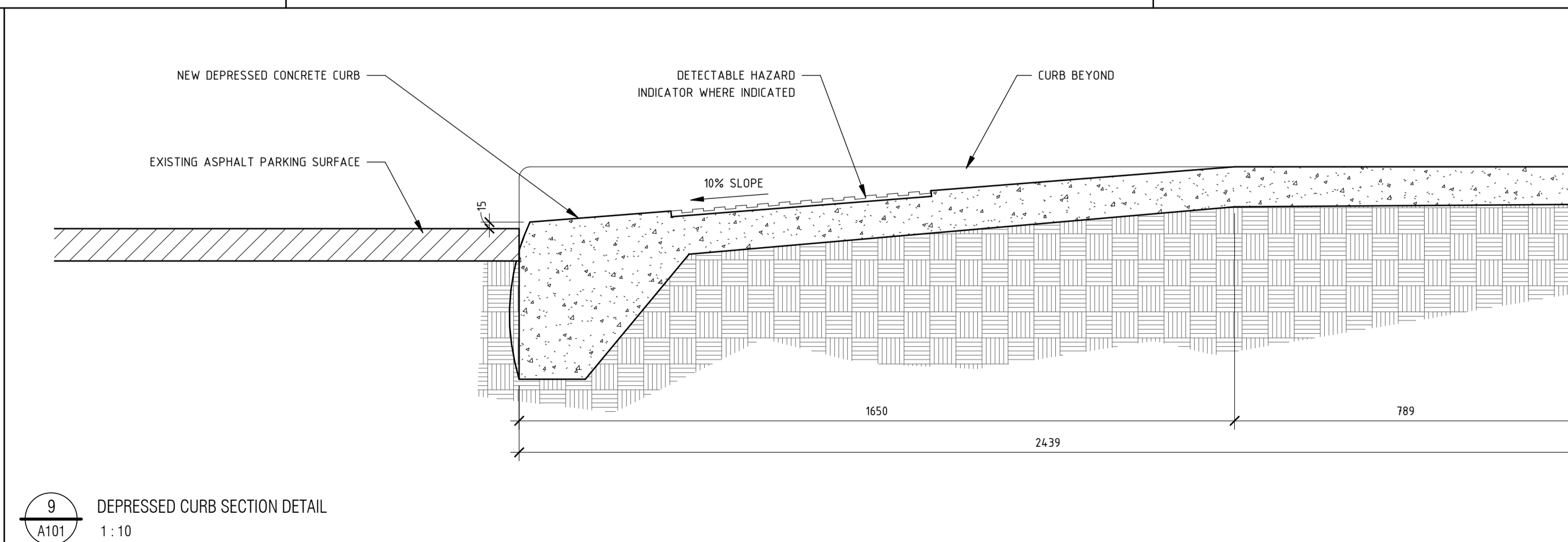
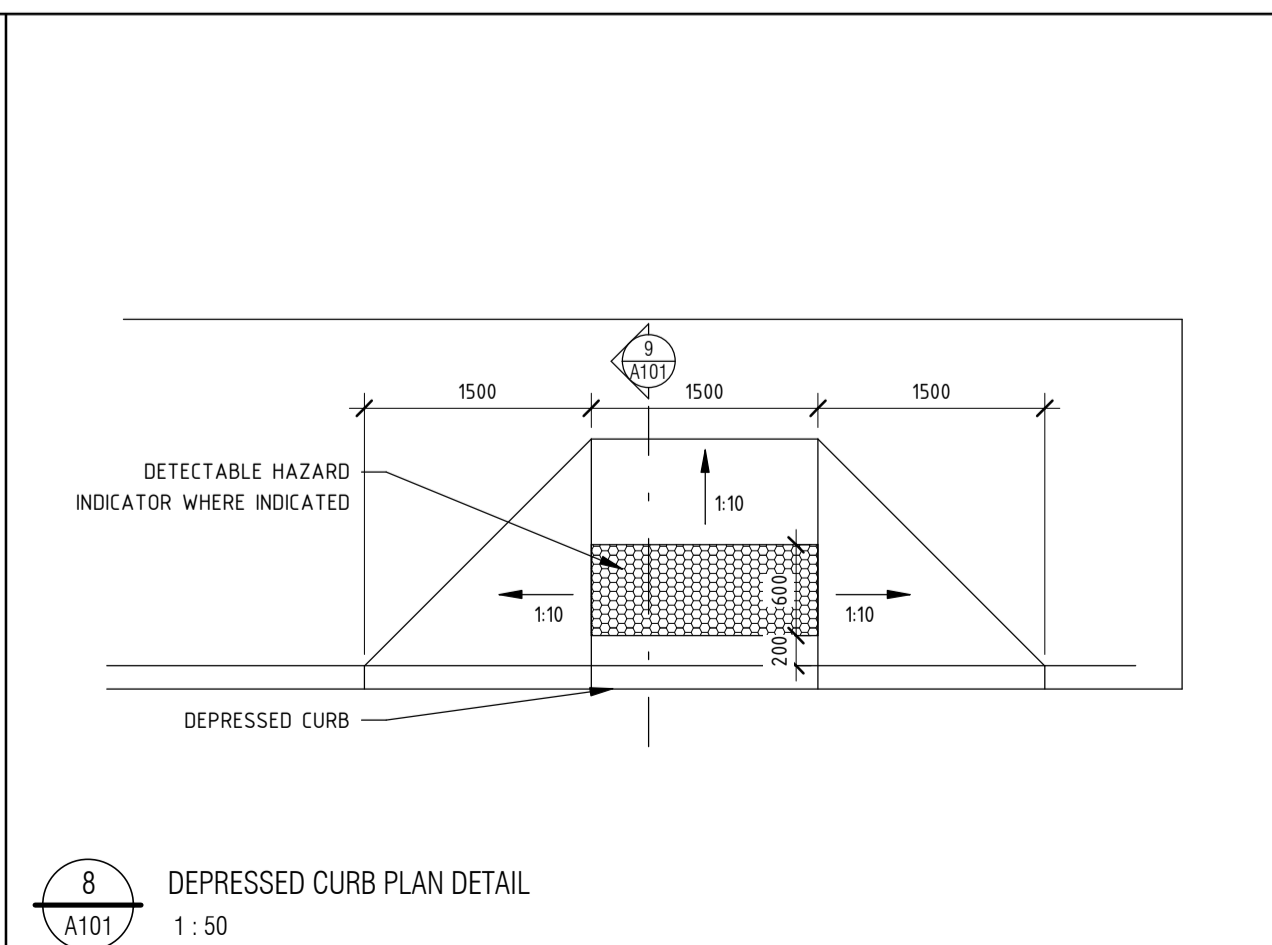
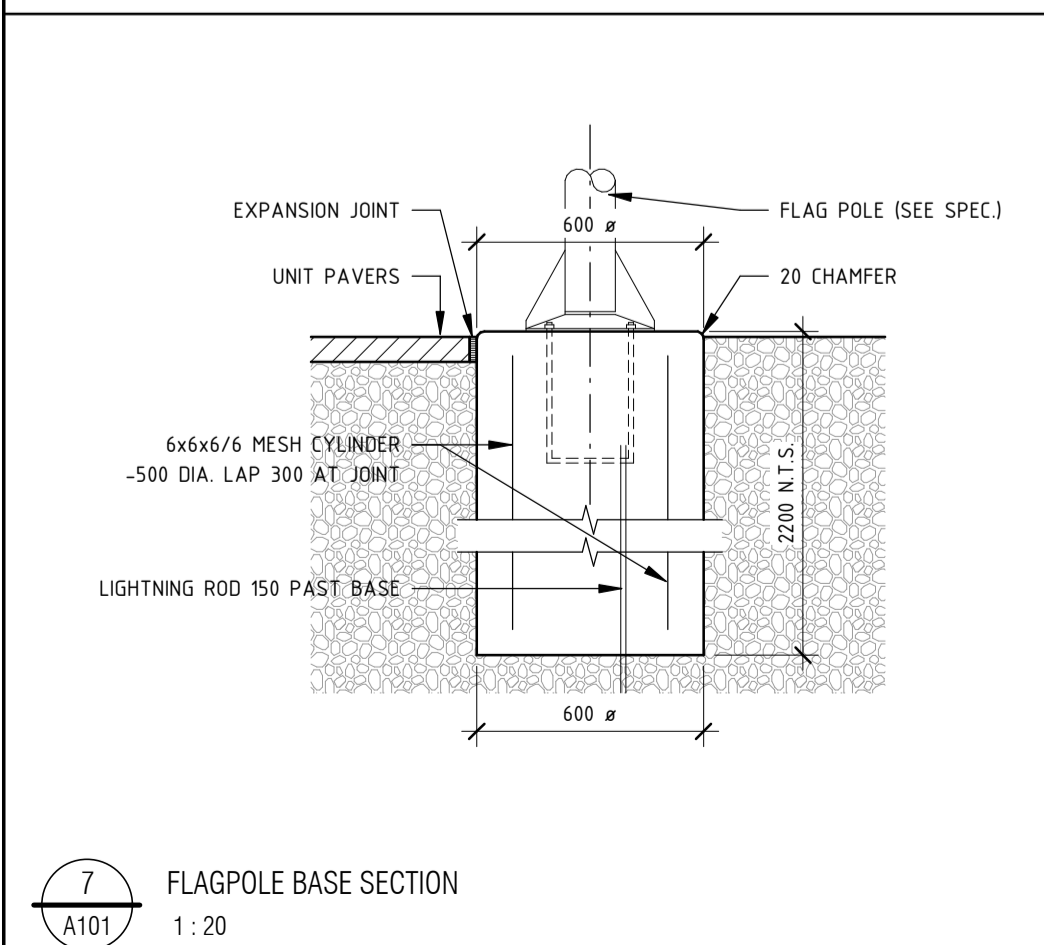
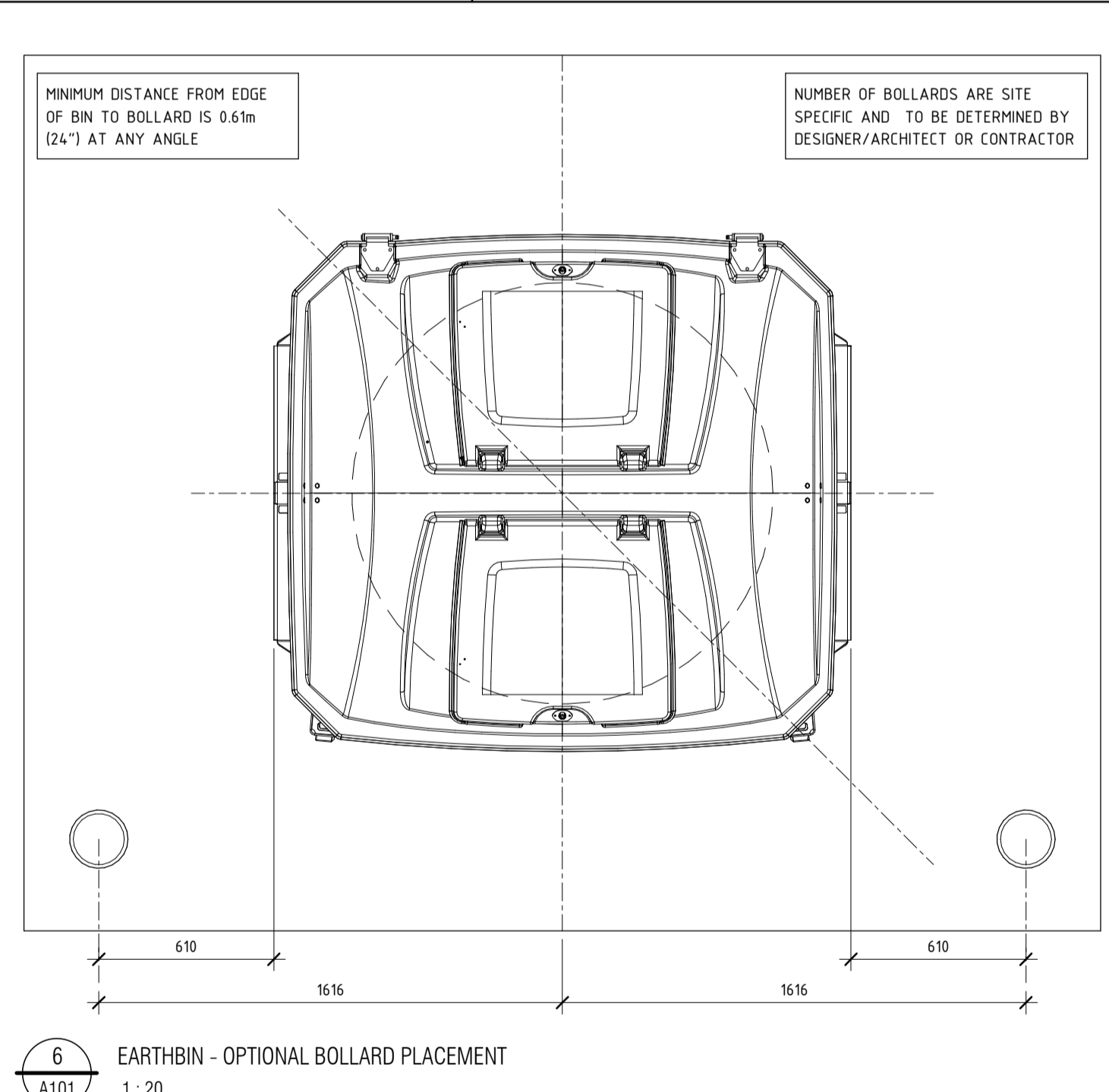
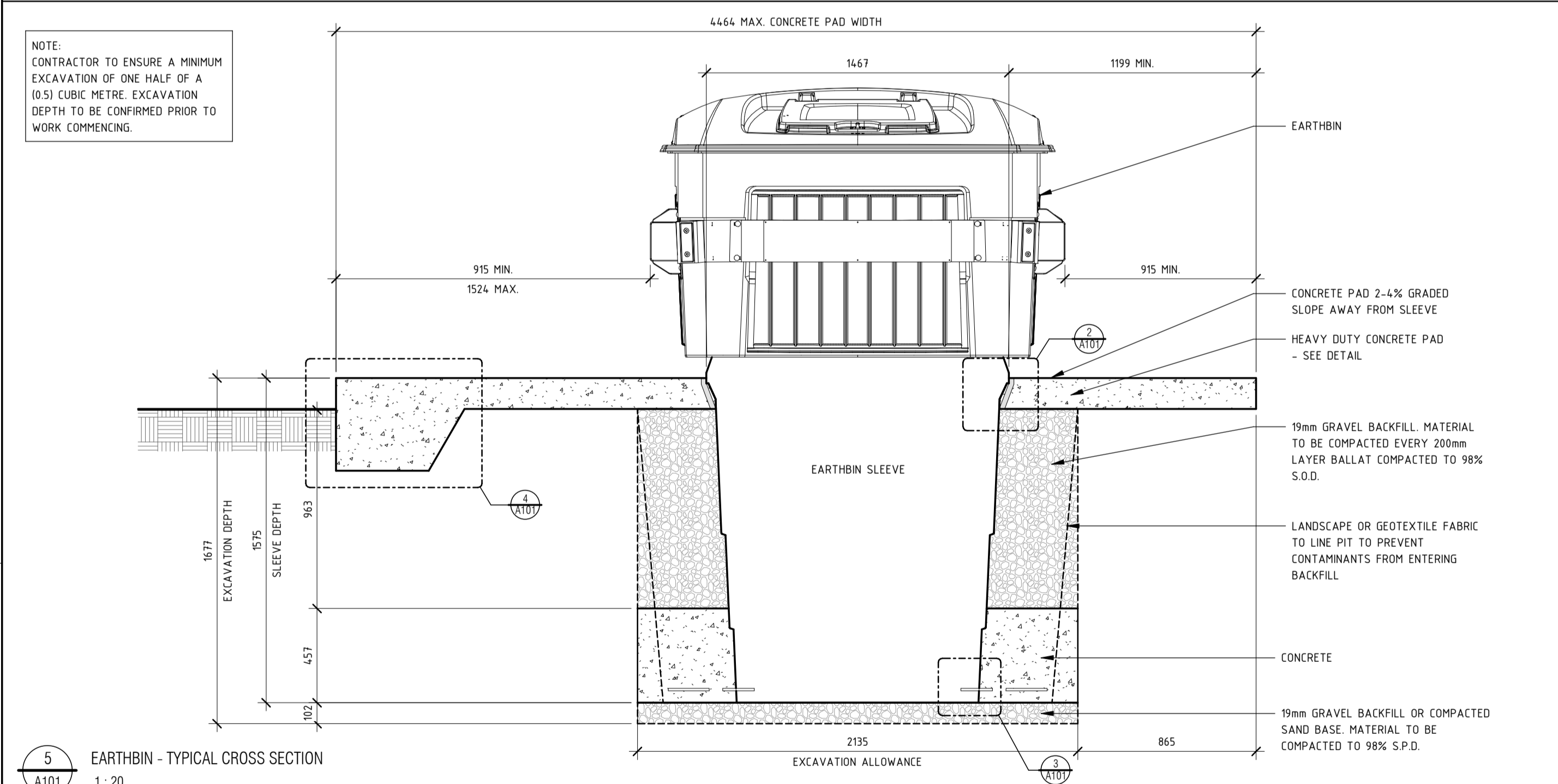
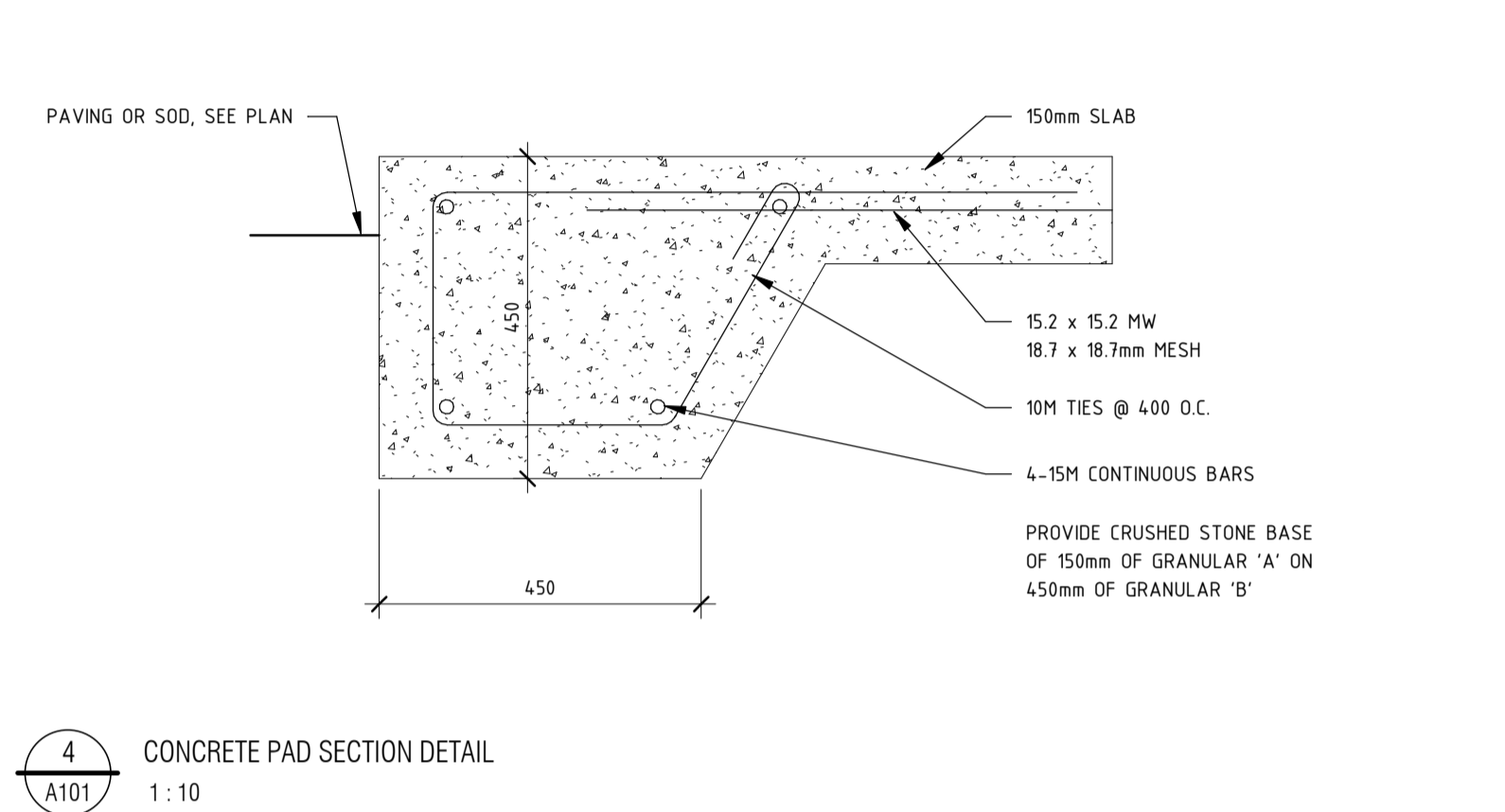
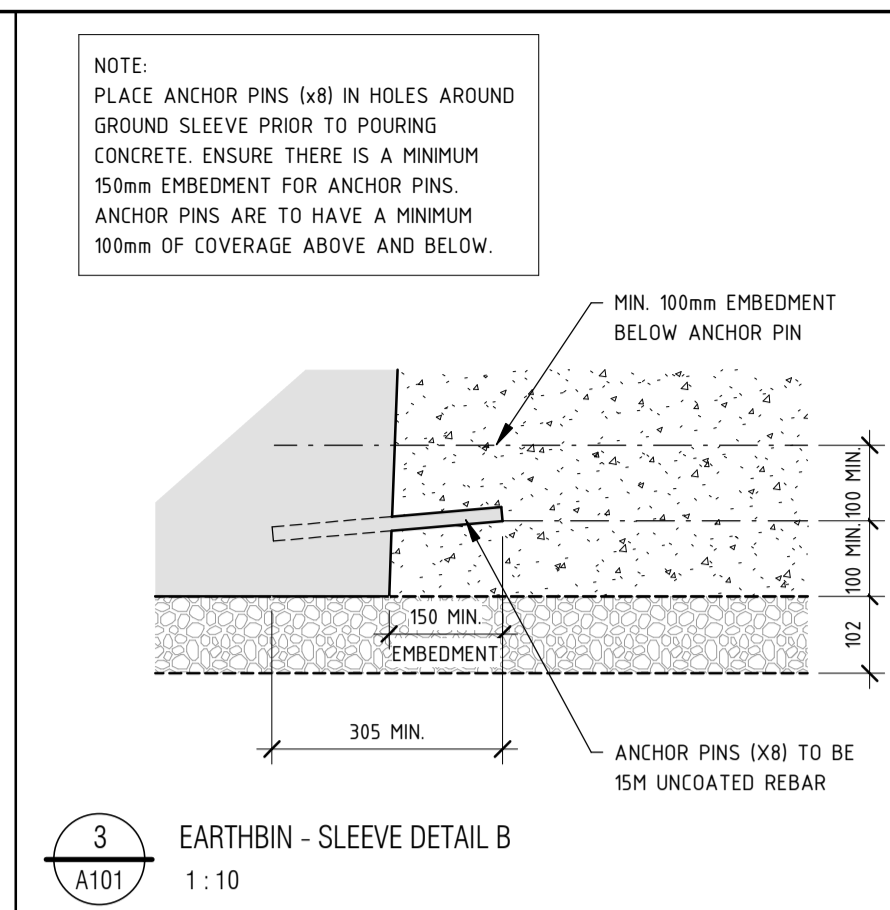
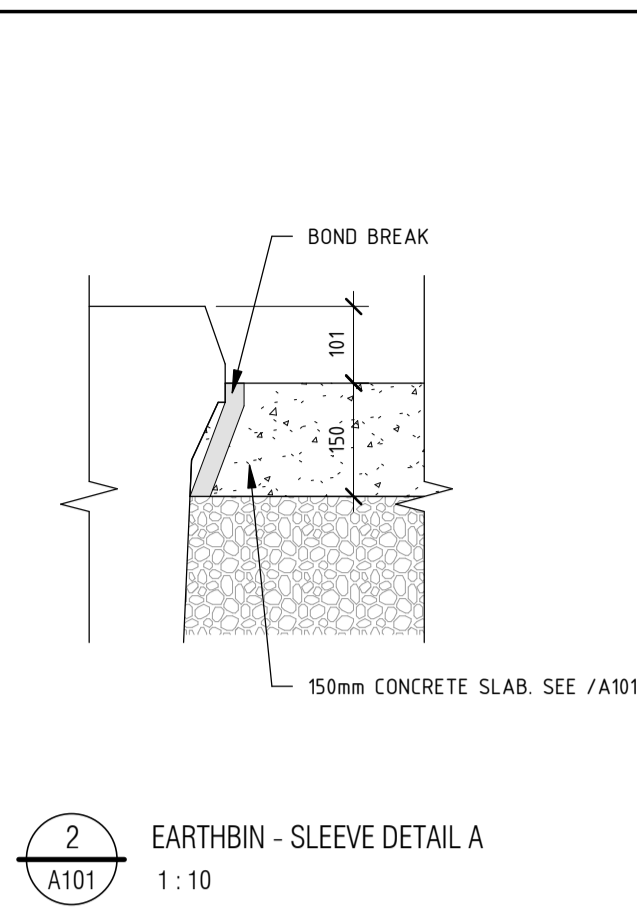


1 EARTHBIN - TYPICAL PLAN VIEW W/O BOLLARDS
A101 1:20



REV	REVISION DESCRIPTION	DATE
3	ISSUED FOR SITE PLAN CONTROL	OCT/07/2022

THIS DRAWING IS THE EXCLUSIVE PROPERTY OF PYTE & RICHARDS - TEMPRANO & YOUNG ARCHITECTS INC. COPYRIGHT RESERVED

CONTRACTOR TO VERIFY ALL DIMENSIONS AND NOTIFY THE ARCHITECT OF ANY DIMENSIONAL ERRORS AND/OR POSSIBLE TRADE INTERFERENCE/CONFLICT FOR CLARIFICATION PRIOR TO COMMENCEMENT OF THE WORK. DO NOT SCALE DRAWINGS.

SEAL

PROJECT NORTH

Not for construction unless SEALED and SIGNED

P R PYE & RICHARDS -
T Y TEMPRANO & YOUNG
ARCHITECTS INC.

824 Meath St. Suite 200 613.724.7700
Ottawa, ON K1Z 6E8 info@prty.ca

PROJECT
OCSB FINDLAY CREEK CATHOLIC ELEMENTARY SCHOOL

4140 KELLY FARM DRIVE OTTAWA, ONTARIO

DRAWING
SITE DETAILS

PROJECT NO. 22012 DRAWING NO. A101
SCALE - AS NOTED
DRAWN - DL
CHECKED -
PLOT DATE - OCT/07/2022 PLOTTED BY -

PLOT SCALE - 1:1

SHEET SIZE: A1