

GENERAL NOTES:

- 1. ALL WORKS AND MATERIALS SHALL CONFORM TO THE LATEST REVISIONS OF THE STANDARDS AND SPECIFICATIONS OF THE CITY OF OTTAWA, ONTARIO PROVINCIAL STANDARD DRAWINGS (OPSD) AND SPECIFICATIONS (OPSS), WHERE APPLICABLE.
2. THE LOCATION OF UTILITIES IS APPROXIMATE ONLY AND THE EXACT LOCATION SHOULD BE DETERMINED BY CONSULTING THE MUNICIPAL AUTHORITIES AND UTILITY COMPANIES CONCERNED. THE CONTRACTOR IS RESPONSIBLE TO PROVIDE THE LOCATION AND STATUS OF UTILITIES AND SHALL BE RESPONSIBLE FOR ADEQUATE PROTECTION OF PLANT AND EQUIPMENT FROM DAMAGE. THE CONTRACTOR SHALL BE RESPONSIBLE FOR REPAIR OR REPLACEMENT OF ANY SERVICES OR UTILITIES DISTURBED DURING CONSTRUCTION TO THE SATISFACTION OF THE AUTHORITY HAVING JURISDICTION.
3. THE CONTRACTOR SHALL VERIFY THE LOCATION AND ELEVATION OF EXISTING SERVICES PRIOR TO ANY CONSTRUCTION. THE CONTRACTOR SHALL CONFIRM LOCATIONS AND ELEVATIONS OF EXISTING SERVICES AND STRUCTURES TO BE CONNECTED TO AND EXISTING SERVICES THAT MAY BE DAMAGED OR CAUSE CONFLICTS PRIOR TO CONSTRUCTION OF ANY NEW SEWER, WATER AND/OR STORM WATER WORKS. ALL DIMENSIONS SHALL BE CHECKED AND VERIFIED IN THE FIELD BY THE CONTRACTOR PRIOR TO THE START OF CONSTRUCTION. ANY DISCREPANCIES, INTERPRETATIONS, CHANGES AND ADDITIONS TO THESE DRAWINGS MUST BE BROUGHT TO THE ATTENTION OF THE ENGINEER, WHEN NOTICED AND BEFORE PROCEEDING WITH CONSTRUCTION WORKS. DO NOT CONTINUE CONSTRUCTION IN AREAS WHERE DISCREPANCIES APPEAR UNLESS SUCH DISCREPANCIES HAVE BEEN OTHERWISE SPECIFIED.
4. ALL ELEVATIONS ARE GEODETIC AND UTILIZE METRIC UNITS. ALL DIMENSIONS ARE IN METRES UNLESS OTHERWISE SPECIFIED. ALL DRAWINGS SHOULD NOT BE SCALED BY THE CONTRACTOR. ANY MISSING OR QUESTIONABLE DIMENSIONS ARE TO BE CONFIRMED WITH THE ENGINEER IN WRITING.
5. THE CONTRACTOR SHALL BE RESPONSIBLE FOR OBTAINING ALL PERMITS REQUIRED AND BEAR COST OF THE SAME.
6. ALL WORK SHALL BE COMPLETED IN ACCORDANCE WITH THE OCCUPATIONAL HEALTH AND SAFETY ACT AND REGULATIONS FOR CONSTRUCTION PROJECTS. THE GENERAL CONTRACTOR SHALL BE DEEMED TO BE THE CONSTRUCTION AS DEFINED IN THE ACT.
7. CONTRACTOR SHALL BE RESPONSIBLE FOR ALL EXCAVATION BACKFILL AND ALL AREAS DISTURBED DURING CONSTRUCTION TO THE SATISFACTION OF THE ENGINEER, THE CITY OF OTTAWA AND THE AUTHORITY HAVING JURISDICTION.
8. ANY AREAS BEYOND THE LIMIT OF THE SITE DISTURBED DURING CONSTRUCTION SHALL BE RESTORED TO ORIGINAL CONDITION OR BETTER TO THE SATISFACTION OF THE AUTHORITY HAVING JURISDICTION AT THE CONTRACTORS EXPENSE.
9. THE CONTRACTOR SHALL COMPLY WITH THE CITY OF OTTAWA REQUIREMENTS FOR TRAFFIC CONTROL, WHEN WORKING ON CITY STREETS. ALL CONSTRUCTION SIGNAGE MUST CONFORM TO THE M.T.O. BOOK 7 AND 7.4.7 MANUAL OF UNIFORM TRAFFIC CONTROL DEVICES (LATEST AMENDMENT).
10. THE SUPPORT OF ALL UTILITIES SHALL BE IN ACCORDANCE WITH THE REQUIREMENTS OF THE AUTHORITY HAVING JURISDICTION.
11. THERE WILL BE NO SUBSTITUTION OF MATERIALS UNLESS WRITTEN APPROVAL BY THE ENGINEER HAS BEEN OBTAINED.
12. EXCESS EXCAVATED MATERIAL SHALL BE REMOVED FROM THE SITE.
13. THE SITE LAYOUT IS THE RESPONSIBILITY OF THE CONTRACTOR. AS-BUILT SITE SERVICES & GRADING DRAWINGS SHALL BE MAINTAINED ON SITE BY THE CONTRACTOR.
14. THE CONTRACTOR WILL BE RESPONSIBLE FOR ADDITIONAL BEDDING OR ADDITIONAL STRENGTH PIPE IF THE MAXIMUM TRENCH WIDTH AS SPECIFIED BY OPSD IS EXCEEDED.
15. ALL NECESSARY CLEARING AND GRUBBING SHALL BE COMPLETED BY THE CONTRACTOR. REVIEW WITH ENGINEER AND THE CITY OF OTTAWA PRIOR TO ANY TREE CUTTING.
16. ALL EDGES OF DISTURBED PAVEMENT SHALL BE SAW CUT TO FORM A NEAT AND STRAIGHT LINE PRIOR TO PLACING NEW PAVEMENT.
17. ALL BOREHOLES SHOWN ON THE DRAWINGS ARE FOR INFORMATION ONLY. FOR GEOTECHNICAL INFORMATION REFER TO GEOTECHNICAL INVESTIGATION REPORT REFERRED TO BY THE DATED OCTOBER 30, 2022.
18. THE CONTRACTOR SHALL APPRAISE HIS/HERSELF OF ALL SURFACE AND SUBSURFACE CONDITIONS TO BE ENCOUNTERED AND SHALL CARRY OUT THEIR OWN TEST PIT AS REQUIRED TO MAKE THEIR OWN INDEPENDENT ASSESSMENT OF GROUND CONDITIONS. THE CONTRACTOR SHALL NOT MAKE ANY CLAIM FOR ANY EXTRA COST TO ANY SUCH GROUND CONDITIONS VARYING FROM THOSE ANTICIPATED BY THE CONTRACTOR.
19. DO NOT CONSTRUCT USING DRAWINGS THAT ARE NOT MARKED 'ISSUED FOR CONSTRUCTION'.
20. FOR TOPOGRAPHICAL INFORMATION REFER TO PLAN PREPARED BY FAIRHALL MOFFAT WOODLAND LIMITED, DATED APRIL 5, 2019.
21. CIVIL DRAWINGS TO BE READ IN CONJUNCTION WITH ARCHITECTURAL, LANDSCAPE AND LEGAL DRAWINGS.
22. ALL NECESSARY CLEARING AND GRUBBING SHALL BE COMPLETED BY THE CONTRACTOR. REVIEW WITH CONTRACT ADMINISTRATOR AND THE CITY OF OTTAWA PRIOR TO ANY TREE CUTTING.
23. STREET LIGHTING SHALL BE TO THE CITY OF OTTAWA STANDARDS.

SANITARY SEWER NOTES

- 1. ALL SANITARY SEWER MATERIALS AND INSTALLATION SHALL CONFORM TO THE LATEST REVISIONS OF THE STANDARDS AND SPECIFICATIONS OF THE CITY OF OTTAWA, ONTARIO PROVINCIAL STANDARD DRAWINGS (OPSD) AND SPECIFICATIONS (OPSS).
2. ALL SANITARY SEWERS SHALL BE PVC SDR 35, (PEX 'RING-TITE' (OR EQUIVALENT), AS PER CSA STANDARD #182.2 OR LATEST AMENDMENT, UNLESS OTHERWISE NOTED.
3. SANITARY SEWER TRENCH AND BEDDING SHALL BE AS PER CITY OF OTTAWA STD. 56 AND S7, CLASS 'B' BEDDING UNLESS OTHERWISE NOTED.
4. ALL SANITARY LATERALS ARE TO BE PVC SDR 35, (PEX 'RING-TITE' (OR EQUIVALENT), ANY COLOR EXCEPT WHITE AND MARKED WITH A 20MM X 100MM WOODEN MARKER, EXTENDING FROM THE INVERT TO 1.0M ABOVE GRADE PAINTED RED.
5. SEWER BEDDING AS PER CITY STANDARD 56 & S7. GRANULAR 'A' BEDDING TO 300MM WHERE SEWERS ARE BELOW THE GROUNDWATER TABLE.
6. SANITARY SEWER MANHOLES SHALL BE BENCHES AS PER OPSD 701.021. SANITARY MANHOLE FRAME AND COVERS SHALL BE AS PER CITY OF OTTAWA STD. 524 AND 525. SAFETY PLATFORMS SHALL BE AS PER OPSD 404.02. SAFETY STRUCTURES SHALL BE IN ACCORDANCE WITH CITY OF OTTAWA SPECIFICATIONS AND OPSD 1033.01.
7. THE CONTRACTOR SHALL CONDUCT FIELD TREATMENT/EXTRATION AS PER CURRENT OPSD TESTING ON ALL NEWLY INSTALLED SANITARY SEWERS. THE TEST SHALL BE PERFORMED IMMEDIATELY AFTER SEWER INSTALLATION AND VIEWED BY THE ENGINEER.
8. THE CONTRACTOR SHALL CONDUCT CCTV INSPECTION OF ALL NEWLY INSTALLED SANITARY SEWERS AND EXISTING SEWERS CONNECTED TO. THE TEST SHALL BE PERFORMED IMMEDIATELY AFTER SEWERS INSTALLED.
9. ALL SERVICE CONNECTIONS TO BE CONSTRUCTED AS PER CITY STANDARD S11 & S11.1.
10. THE CONTRACTOR SHALL CONSTRUCT FLEXIBLE SANITARY SEWERS IN ACCORDANCE WITH OPSD 802.010 AND 802.013. DURING CONSTRUCTION THE CONTRACTOR SHALL PROTECT THE PIPES FROM HEAVY CONSTRUCTION EQUIPMENT. BEDDING AND BACKFILL SHALL BE COMPACTED TO A MINIMUM OF 90% SPDM.
11. ALL SANITARY BUILDING DRAINS TO BE EQUIPPED WITH SANITARY BACKWATER VALVES INSTALLED PER CITY OF OTTAWA STANDARD DRAWING S 11.
12. WITHIN THE FROST ZONE, THE BACKFILL IN THE SERVICE TRENCHES SHOULD MATCH THE SOIL ON SIDES TO MINIMIZE DIFFERENTIAL FROST HEAVING IN THE SUBGRADE.
13. MINIMUM SOIL COVER TO BE 2.1M TO PROTECT SEWERS FROM FROST DAMAGE. IN AREAS WHERE ADEQUATE FROST COVER CANNOT BE ACHIEVED, EQUIVALENT THERMAL INSULATION TO BE INSTALLED AS PER OPSD 514.010.

STORM SEWER NOTES

- 1. ALL STORM SEWER MATERIALS AND INSTALLATION SHALL CONFORM TO THE LATEST REVISIONS OF THE STANDARDS AND SPECIFICATIONS OF THE CITY OF OTTAWA, ONTARIO PROVINCIAL STANDARD DRAWINGS (OPSD) AND SPECIFICATIONS (OPSS).
2. ALL REINFORCED CONCRETE STORM SEWER PIPE SHALL BE IN ACCORDANCE WITH CSA A207.2 (LATEST AMENDMENT). ALL NON-REINFORCED CONCRETE STORM SEWER PIPE SHALL BE IN ACCORDANCE WITH CSA A207.1 (LATEST AMENDMENT). PIPE SHALL BE JOINTED WITH STD. RUBBER GASKETS AS PER CSA A207.3 (LATEST AMENDMENT).
3. ALL PVC STORM SEWERS ARE TO BE SDR 35 APPROVED PER S.A. #182.2 OR LATEST AMENDMENT, UNLESS OTHERWISE SPECIFIED.
4. THE CONTRACTOR SHALL CONSTRUCT FLEXIBLE STORM SEWERS IN ACCORDANCE WITH OPSD 802.010 AND 802.013. RIGID STORM PIPE SHALL BE CONSTRUCTED IN ACCORDANCE WITH OPSD 802.020. DURING CONSTRUCTION THE CONTRACTOR SHALL PROTECT THE PIPES FROM HEAVY CONSTRUCTION EQUIPMENT. BEDDING AND BACKFILL SHALL BE COMPACTED TO A MINIMUM OF 90% SPDM.
5. SEWER BEDDING AS PER CITY STANDARD 56 & S7.
6. ALL STORM LATERALS SHALL BE PVC SDR 28, WHITE IN COLOR AND MARKED WITH A 50mm X 100mm WOODEN MARKER EXTENDING FROM THE INVERT TO 1.0M ABOVE GRADE PAINTED GREEN.
7. ALL SERVICE CONNECTIONS TO BE CONSTRUCTED AS PER CITY STANDARD S11 & S11.1.
8. WITHIN THE FROST ZONE, THE BACKFILL IN THE SERVICE TRENCHES SHOULD MATCH THE SOIL ON SIDES TO MINIMIZE DIFFERENTIAL FROST HEAVING IN THE SUBGRADE.
9. MINIMUM SOIL COVER TO BE 2.1M TO PROTECT SEWERS FROM FROST DAMAGE. IN AREAS WHERE ADEQUATE FROST COVER CANNOT BE ACHIEVED, EQUIVALENT THERMAL INSULATION TO BE INSTALLED AS PER OPSD 514.010.
10. ALL STORM SERVICES TO BE EQUIPPED WITH APPROVED BACKWATER VALVES.
11. STORM MANHOLE FRAME AND COVERS SHALL BE AS PER CITY OF OTTAWA STD. 524, 524.1 AND 525.
12. SAFETY PLATFORMS SHALL BE IN ACCORDANCE WITH OPSD 404.02.
13. DROP STRUCTURES SHALL BE IN ACCORDANCE WITH OTTAWA SPECIFICATIONS AND OPSD 1033.01.
14. STORM SEWER MANHOLES SERVING LOCAL SEWERS LESS THAN 300MM SHALL BE CONSTRUCTED WITH A 300MM BUMP FOR STORM SEWERS 300MM AND OVER USE BENCHING IN ACCORDANCE WITH OPSD 701.021.
15. SINGLE AND DOUBLE CATCHBASINS SHALL BE IN ACCORDANCE WITH CITY OF OTTAWA STD. 51. AND OPSD 705.03, RESPECTIVELY. FRAMES AND GRATE SHALL BE AS PER CITY OF OTTAWA STD. 519 FOR REAR LOT CATCHBASINS, AND STREET CATCHBASINS.
16. CURB INLET TYPE CATCH BASIN (CIB) SHALL BE IN ACCORDANCE WITH CITY OF OTTAWA STD. 53. AND GRATE SHALL BE AS PER CITY OF OTTAWA STD. 524 AND 525 UNLESS OTHERWISE NOTED.
17. SINGLE AND DOUBLE CATCH-BASIN LEADS SHALL BE 200MM AND 250MM (A) (MM) RESPECTIVELY, 1.0% SLOPE (MM) UNLESS OTHERWISE NOTED.
18. ALL CATCHBASINS AND CATCH-BASIN MANHOLES SHALL HAVE BUMPS WITH 300MM DEPTH, UNLESS OTHERWISE NOTED.
19. CONTRACTOR SHALL ENSURE THAT CATCHBASINS ARE INSTALLED AT THE LOW POINT OF SAG CURB WORKS.
20. THE STORM SEWER CLASSES HAVE BEEN DESIGNED BASED ON BEDDING CONDITIONS SPECIFIED. WHERE THE SPECIFIED TRENCH WIDTH IS EXCEEDED, THE CONTRACTOR SHALL BE REQUIRED TO PROVIDE ADDITIONAL BEDDING. A DIFFERENT TYPE OF BEDDING OR ANOTHER PIPE STRENGTH AT HIS OWN EXPENSE AND SHALL ALSO BE RESPONSIBLE FOR EXTRA TEMPORARY AND/OR PERMANENT REPAIRS MADE NECESSARY BY THE EXCEEDED TRENCH.
21. THE CONTRACTOR SHALL CONDUCT CCTV INSPECTION OF ALL NEWLY INSTALLED STORM SEWERS AND EXISTING SEWERS CONNECTED TO. THE TEST SHALL BE PERFORMED IMMEDIATELY AFTER SEWERS INSTALLED.

WATERMAIN NOTES

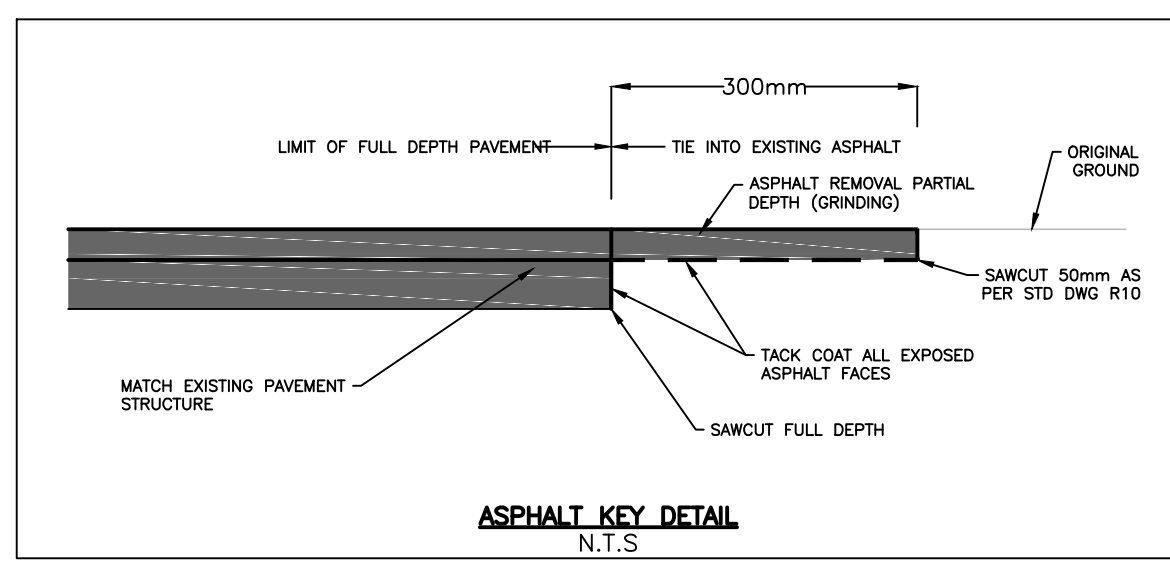
- 1. ALL WATERMAIN MATERIALS AND INSTALLATION SHALL CONFORM TO THE LATEST REVISIONS OF THE STANDARDS AND SPECIFICATIONS OF THE CITY OF OTTAWA, ONTARIO PROVINCIAL STANDARD DRAWINGS (OPSD) AND SPECIFICATIONS (OPSS).
2. NO WORK SHALL COMMENCE UNLESS A CITY WATER WORKS INSPECTOR IS ON SITE. WATERMAIN CONNECTIONS BY CITY OF OTTAWA FORCES WITH ALL EXCAVATION BACKFILL AND ROAD REINSTATEMENT BY CONTRACTOR.
3. ALL PVC WATERMANS SHALL BE EQUAL TO AWWA C400 CLASS 150, SDR 18, OR APPROVED EQUAL.
4. WATERMANS TRENCH AND BEDDING SHALL BE IN ACCORDANCE WITH CITY OF OTTAWA STANDARD W11, UNLESS OTHERWISE SPECIFIED. BEDDING AND COVER MATERIAL SHALL BE SPECIFIED BY PROJECT GEOTECHNICAL ENGINEER.
5. ALL PVC WATERMANS SHALL BE INSTALLED WITH A 10 GAUGE STRANDED COPPER TWU OR RWU TRACER WIRE IN ACCORDANCE WITH CITY OF OTTAWA STD. W06.
6. WATER SERVICES ARE TO BE TYPE 'K' SDR 35 COPPER AS PER CITY OF OTTAWA STD. W08 UNLESS OTHERWISE SPECIFIED. ALL WATER SERVICES CROSSING SEWERS ARE TO BE INSTALLED AS PER CITY OF OTTAWA STD. W08. WATER SERVICES SHALL BE MARKED WITH A 20mm X 100mm, EXTENDING FROM THE INVERT TO 1.0M ABOVE GRADE PAINTED BLUE. STAND POSTS/SHUT-OFFS SHALL BE INSTALLED AT THE PROPERTY LINE.
7. CATHODIC PROTECTION IS REQUIRED ON ALL METALLIC FITTINGS AS PER CITY OF OTTAWA STD. W40 AND W42.
8. VALVE BOXES SHALL BE INSTALLED AS PER CITY OF OTTAWA DETAIL W03.
9. ALL FIRE HYDRANTS TO BE INSTALLED AS PER CITY STANDARD W19 AND LOCATED AS PER CITY STANDARD W19 AND/OR CITY STANDARD CROSS SECTIONS.
10. ALL WATERMANS TO BE INSTALLED AT MINIMUM COVER OF 2.4m.
11. THRUST BLOCKS AND RESTRAINT AS PER CITY OF OTTAWA DWGS: W03.3 AND W03.4, W03.5 AND W03.6.
12. IF WATERMAIN MUST BE DEFLECTED TO MEET ALIGNMENT, ENSURE THAT THE AMOUNT OF DEFLECTION USED IS LESS THAN HALF THAT RECOMMENDED BY THE MANUFACTURER.
13. DISINFECTION AND TESTING OF WATERMAIN TO BE IN ACCORDANCE WITH CITY OF OTTAWA STANDARDS.
14. WATER METERS TO BE INSTALLED AS PER W30 FOR WATER SERVICES.
15. THE CONTRACTOR SHALL PROVIDE ALL TEMPORARY CAPS, PLUGS AND BLOW-OFFS AND NOZZLES REQUIRED FOR TESTING AND DISINFECTION OF THE WATERMAIN.
16. INSULATION FOR WATERMAIN CROSSING OVER AND BELOW SEWER SHALL BE IN ACCORDANCE WITH CITY OF OTTAWA STD. W02.2 AND W02.5, RESPECTIVELY, WHERE WATERMAIN COVER IS LESS THAN 2.4m.
17. WHERE THE SEPARATION BETWEEN SERVICES AND MANHOLES IS LESS THAN 1.2m, WATER SERVICES ARE TO BE INSULATED AS PER CITY OF OTTAWA STD. W03.
18. AS PER CITY OF OTTAWA, THE MINIMUM VERTICAL CLEARANCE BETWEEN WATERMAIN AND SEWER/UTILITY IS 0.20M FOR CROSSING OVER THE SEWER, AS PER CITY STD. W02.3. FOR CROSSING UNDER SEWER, THE MINIMUM VERTICAL CLEARANCE IS 0.20M AS PER CITY STD. W02. FOR CROSSING UNDER SEWER, ADEQUATE STRUCTURAL SUPPORT FOR THE SEWER IS REQUIRED TO PREVENT EXCESSIVE DEFLECTION OF JOINTS AND SETTLING. THE LENGTH OF WATER PIPE SHALL BE CENTERED AT THE POINT OF CROSSING SO THAT THE JOINTS WILL BE EQUIDISTANT AND AS FAR AS POSSIBLE FROM THE SEWER.

ROADWAY SPECIFICATIONS

- 1. ALL TOPSOIL AND ORGANIC MATERIAL SHALL BE STRIPPED WITHIN THE ROAD ALLOWANCE PRIOR TO THE COMMENCEMENT OF CONSTRUCTION.
2. CONCRETE CURB SHALL BE IN ACCORDANCE WITH CITY OF OTTAWA STD. 521.1 (BARBER CURB) AND 521.3 (MOUNTABLE CURB), AS NOTED. PROVIDER SHALL BE MADE FOR CURB DEPRESSIONS AT SIDEWALKS AND DRIVEWAYS.
3. ROAD SUBDRAINS SHALL BE IN ACCORDANCE WITH CITY OF OTTAWA STD. #1. SUBDRAINS SHALL BE 6M IN LENGTH AT CATCHBASINS. SUBDRAINS SHALL BE INSTALLED BOTH SIDES AT LOW POINTS ON THE HIGH SIDE AT FLOWING CATCHBASINS.
4. PAVEMENT REINSTATEMENT FOR SERVICE AND UTILITY CUTS SHALL BE IN ACCORDANCE WITH CITY OF OTTAWA STD. #10 AND OPSD 509.010, OPSD 510.
5. GRANULAR 'A' SHALL BE PLACED TO A MINIMUM THICKNESS OF 300MM AROUND ALL STRUCTURES WITH PAVEMENT AREA.
6. ALL GRANULAR FOR ROADS SHALL BE PLACED TO A MINIMUM OF 90% STANDARD PRODUCTION DENSITY.
7. ASPHALT WEAR COURSE SHALL NOT BE COMPLETED UNTIL THE VIDEO INSPECTION OF SEWERS & SERVICE REPAIRS HAVE BEEN CARRIED OUT TO THE SATISFACTION OF THE ENGINEER.
8. SUB-EXCAVATE SOFT AREAS AND FILL WITH GRANULAR 'B' COMPACTED IN MAXIMUM 300MM LIFTS.
9. PAVEMENT STRUCTURE: REFER TO LEGEND.

GENERAL NOTES FOR GRADING

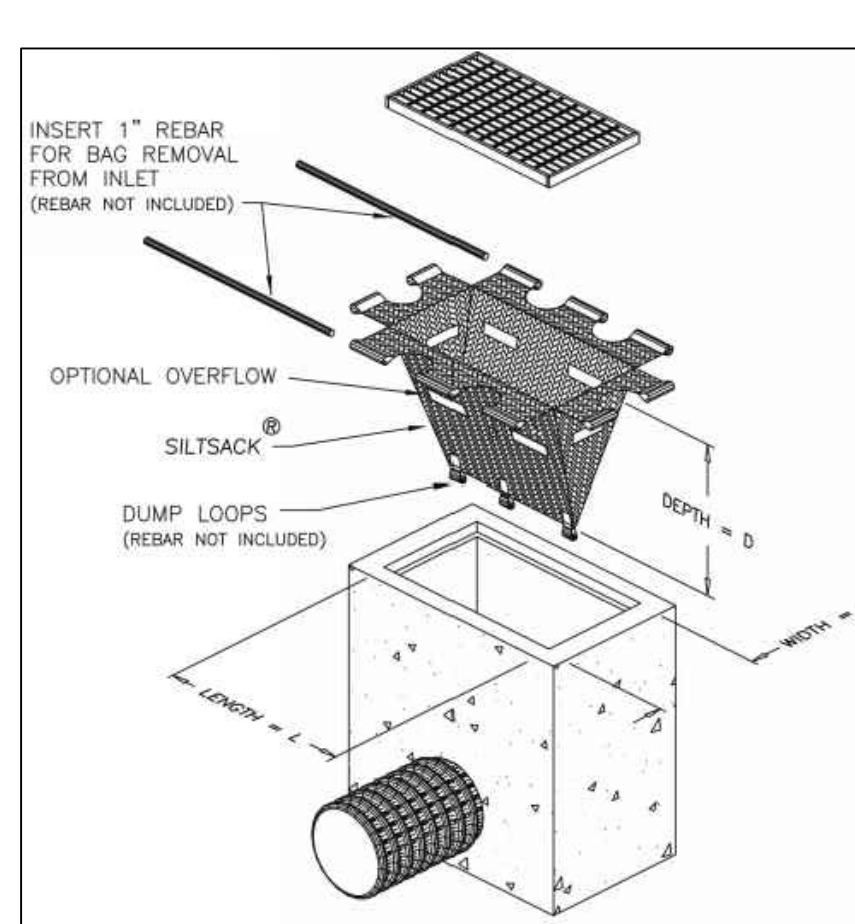
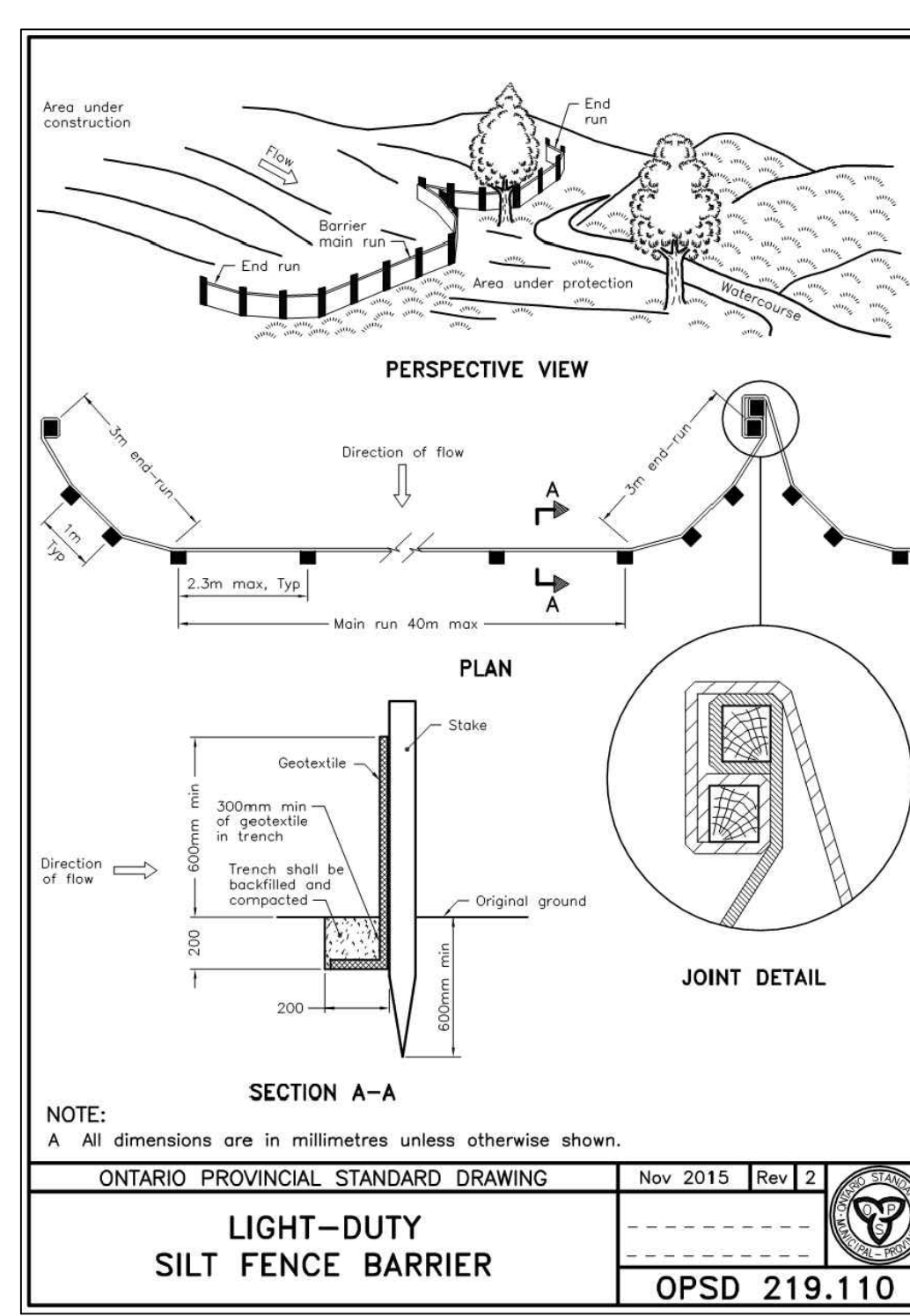
- 1. IT SHALL BE THE BUILDERS RESPONSIBILITY TO ENSURE THAT GRADING AROUND HYDRANTS, TRANSFORMERS, AND UTILITY PEDESTALS, ETC., MEET CURRENT CITY OF OTTAWA, HYDRO AND UTILITY COMPANY REQUIREMENTS.
2. ALL GROUND SURFACES SHALL BE EVENLY GRADED WITHOUT PONDING AREAS AND WITHOUT LOW POINTS EXCEPT WHERE APPROVED SWALE OR CATCH BASIN OUTLETS ARE PROVIDED.
3. CONTRACTOR TO ADJUST EXISTING CATCH BASINS, MANHOLES, FIRE HYDRANTS, VALVE CHAMBERS AND VALVE BOXES TO FINAL GRADE AS REQUIRED.
4. CONTRACTOR SHALL TAKE ALL NECESSARY PRECAUTIONS TO PROTECT EXISTING FOUNDATIONS OF ADJACENT BUILDINGS DURING EXCAVATION AND CONSTRUCTION PERIOD.
5. GRADING IN GRASSED AREAS WILL BE BETWEEN 2% TO 7%. GRADES IN EXCESS OF 7% WILL REQUIRE A MAXIMUM 3:1 TERRACING.



STORM MAINTENANCE HOLE DATA table with columns: NO., COVER, STRUCTURE, ELEVATION (T/GRATE, LOW/INV.). Rows: STMMH 301, STMMH 302.

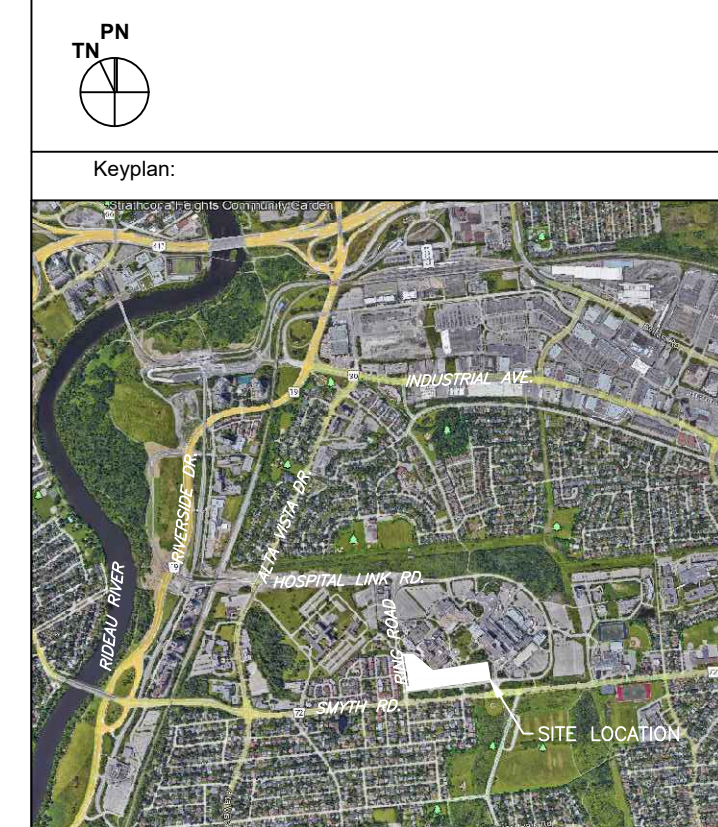
SANITARY MAINTENANCE HOLE DATA table with columns: NO., COVER, STRUCTURE, ELEVATION (T/GRATE, LOW/INV.). Rows: SANMH 201, SANMH 202.

CATCHBASIN & ICD DATA table with columns: NO., COVER, STRUCTURE, ELEVATION (T/GRATE, LOW/INV.), ICD, HEAD (m), FLOW RATE (L/s). Rows: CB 101, CB 102, CB 103, CB 104.



EROSION AND SEDIMENT CONTROLS DURING CONSTRUCTION

- DURING ALL CONSTRUCTION ACTIVITIES, EROSION AND SEDIMENTATION SHALL BE CONTROLLED BY THE FOLLOWING TECHNIQUES:
1. LIMITING THE EXTENT OF EXPOSED SOILS AT ANY GIVEN TIME.
2. REVEGETATION OF EXPOSED AREAS AS SOON AS POSSIBLE.
3. MINIMIZATION OF AREA TO BE CLEARED AND DISRUPTION TO ADJACENT AREAS.
4. INSTALLATION OF FILTER CLOTH BETWEEN FRAME AND COVER ON ALL PROPOSED CATCH BASINS AND CATCH BASIN MANHOLES.
5. A SILT FENCE TO BE INSTALLED 0.3m INSIDE THE SITE PROPERTY LINE TO LOCATIONS SHOWN ON THIS DRAWING.
6. A VISUAL INSPECTION SHALL BE COMPLETED DAILY ON SEDIMENT CONTROL BARRIERS AND ANY DAMAGE REPAIRED IMMEDIATELY. CARE WILL BE TAKEN TO PREVENT DAMAGE DURING CONSTRUCTION OPERATIONS.
7. IN SOME CASES SOME BARRIERS MAY BE REMOVED TEMPORARILY TO ACCOMMODATE THE CONSTRUCTION OPERATIONS; THE AFFECTED BARRIERS WILL BE REINSTATED AT NIGHT WHEN CONSTRUCTION IS COMPLETED.
8. THE SEDIMENT CONTROL DEVICES WILL BE CLEANED OF ACCUMULATED SILT AS REQUIRED. THE DEPOSITS WILL BE DISPOSED OF AS PER THE REQUIREMENTS OF THE CONTRACT.
9. DURING THE COURSE OF CONSTRUCTION IF THE ENGINEER BELIEVES THAT ADDITIONAL PREVENTION METHODS ARE REQUIRED TO CONTROL EROSION AND SEDIMENTATION, THE CONTRACTOR WILL INSTALL ADDITIONAL SILT FENCES OR OTHER METHODS AS REQUIRED TO THE SATISFACTION OF THE ENGINEER.
10. CONSTRUCTION AND MAINTENANCE REQUIREMENTS FOR EROSION AND SEDIMENT CONTROLS TO COMPLY WITH ONTARIO PROVINCIAL STANDARD SPECIFICATION (OPSS) OPSS 805, AND CITY OF OTTAWA SPECIFICATIONS.
11. SEDIMENT AND EROSION CONTROL MEASURES MAY BE MODIFIED IN THE FIELD AT THE DISCRETION OF THE CITY OF OTTAWA SITE INSPECTOR OR CONSERVATION AUTHORITY.



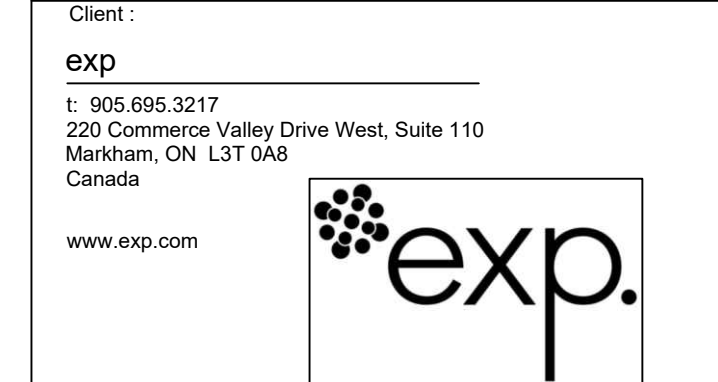
This drawing shall not be used for construction purposes until the seal appearing herein is signed and dated by the Architect or Engineer



Revision table with columns: REV, REVISION DESCRIPTION, DATE, BY, RWD.



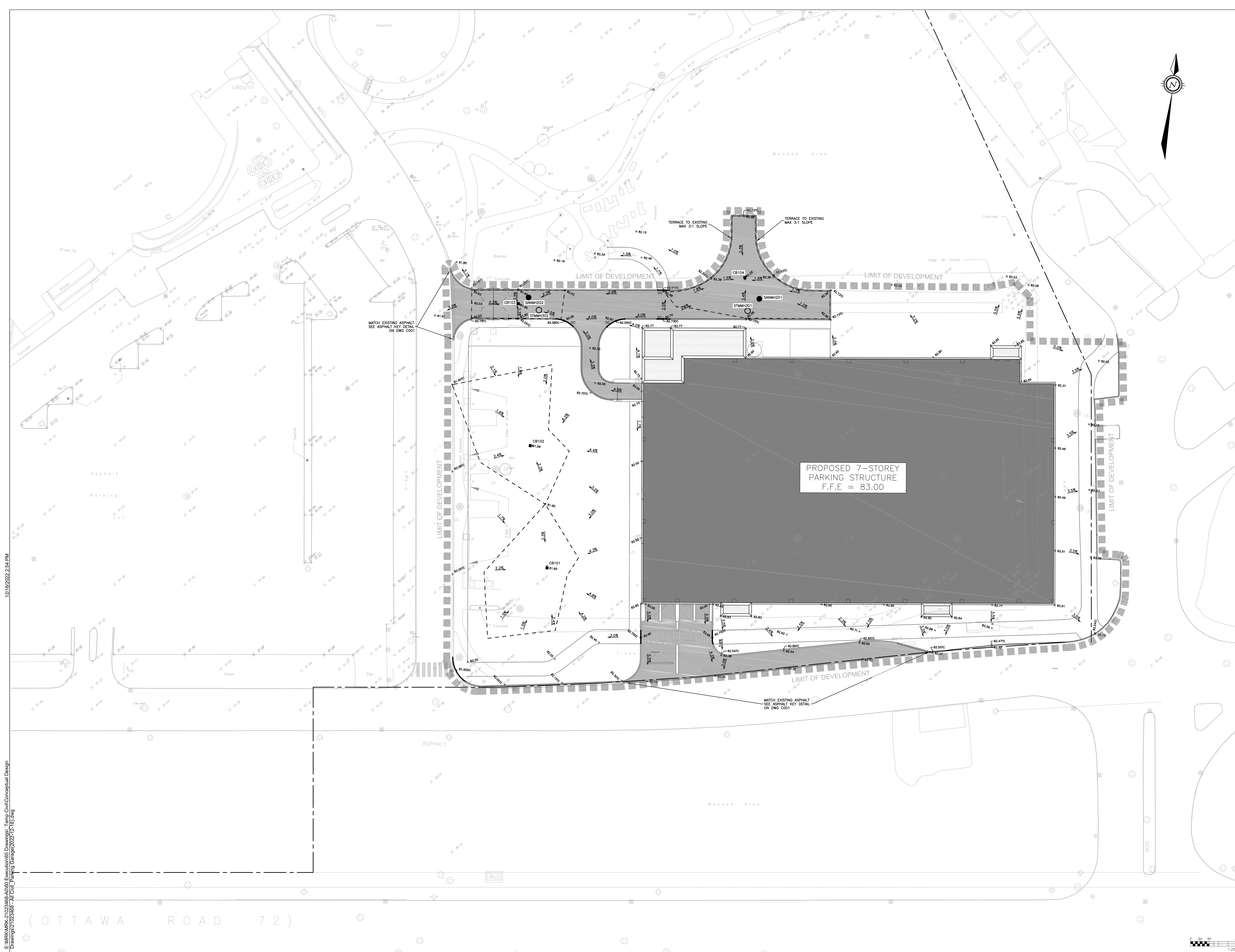
Proprietor Consultant: B+H 481 University Ave., Suite 300 Toronto, ON, M5G 2H4



CHEO 1DOORFOR4CARE (1D4C) GENERAL NOTES AND DETAILS PLAN

1/21/16/2022 2:43 PM E:\MRK\MRK-21023468-A0\60\_Execution\65\_Drawings\Temp\Civil\Conceptual\_Design Drawings\21023468 - All Civil - Parking Garage\2022-12-16.dwg





12/16/2022 2:54 PM  
 E:\MRK\URK\21023468-A0\60\_Execution\65\_Drawings\Temp\Civil\Conceptual Design Drawings\21023468 - All Civil - Parking Garage\2022-12-16.dwg

This drawing shall not be used for construction purposes until the seal appearing herein is signed and dated by the Architect or Engineer

REV	REVISION DESCRIPTION	DATE	BY	RWD
2	ISSUED FOR SPC APPROVAL	16/12/22	AAS	KH
1	ISSUED FOR REVIEW	28/10/22	AJ	AA

Propositor:

Propositor Consultant:

481 University Ave., Suite 300  
 Toronto, ON, M5G 2H4  
 T. 416.596.2299 F. 416.588.0599

Client:

XXXX  
 XXXX  
 1.XXXX 1.XXX

Project:

**CHEO**  
**1DOORFOR4CARE (1D4C)**

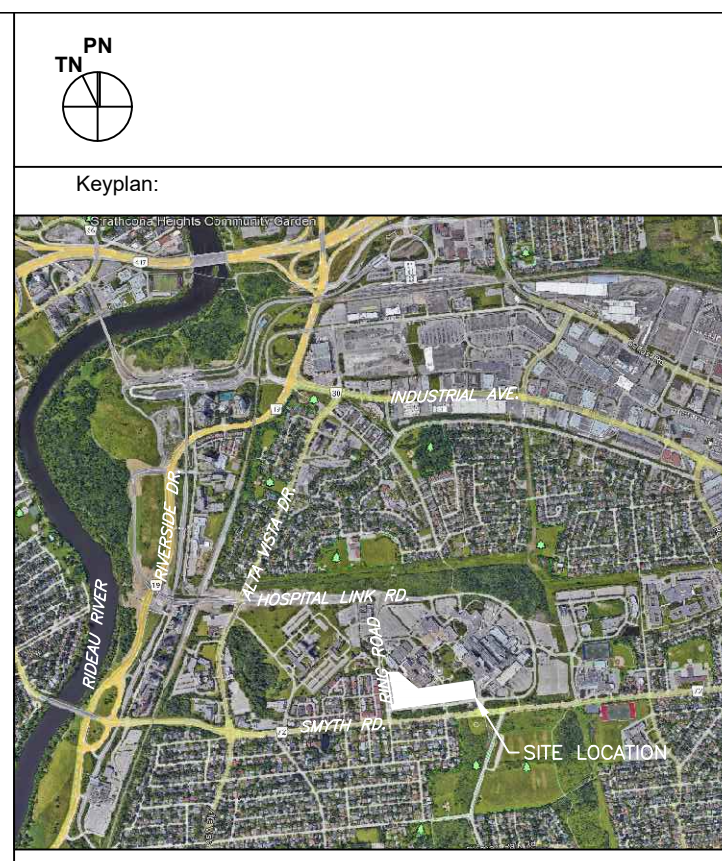
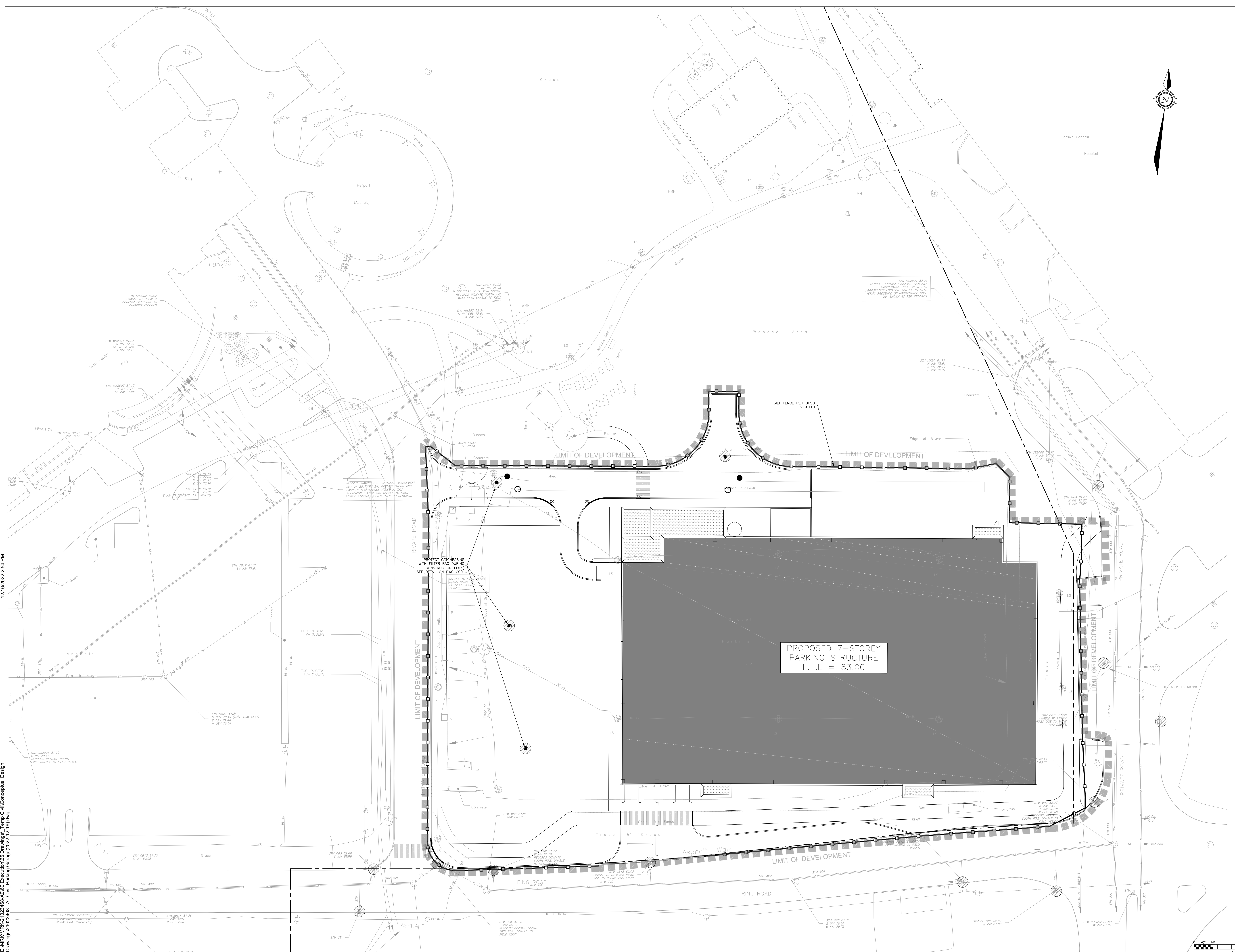
**GRADING PLAN FOR  
 PARKING GARAGE  
 PHASE 1A**

Scale: 1:250  
 Date: NOVEMBER 2022

Sheet No: MRK-21023468-A0  
 Date: NOVEMBER 2022  
 C200

( OTTAWA ROAD 72 )





This drawing shall not be used for construction purposes until the seal appearing herein is signed and dated by the Architect or Engineer



REV	REVISION DESCRIPTION	DATE	BY	RWD
2	ISSUED FOR SPC APPROVAL	16/12/22	AAS	KH
1	ISSUED FOR REVIEW	28/10/22	AJ	AA



Proponent Consultant:  
**B+H**  
 481 University Ave., Suite 300  
 Toronto, ON M5G 2H4  
 t. 416.596.2299 f. 416.586.0599

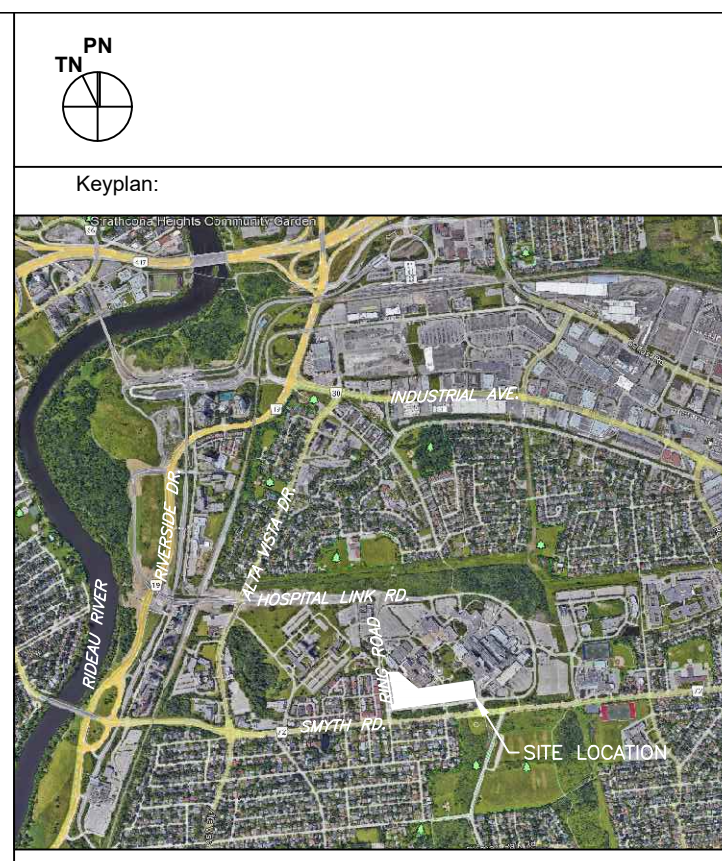
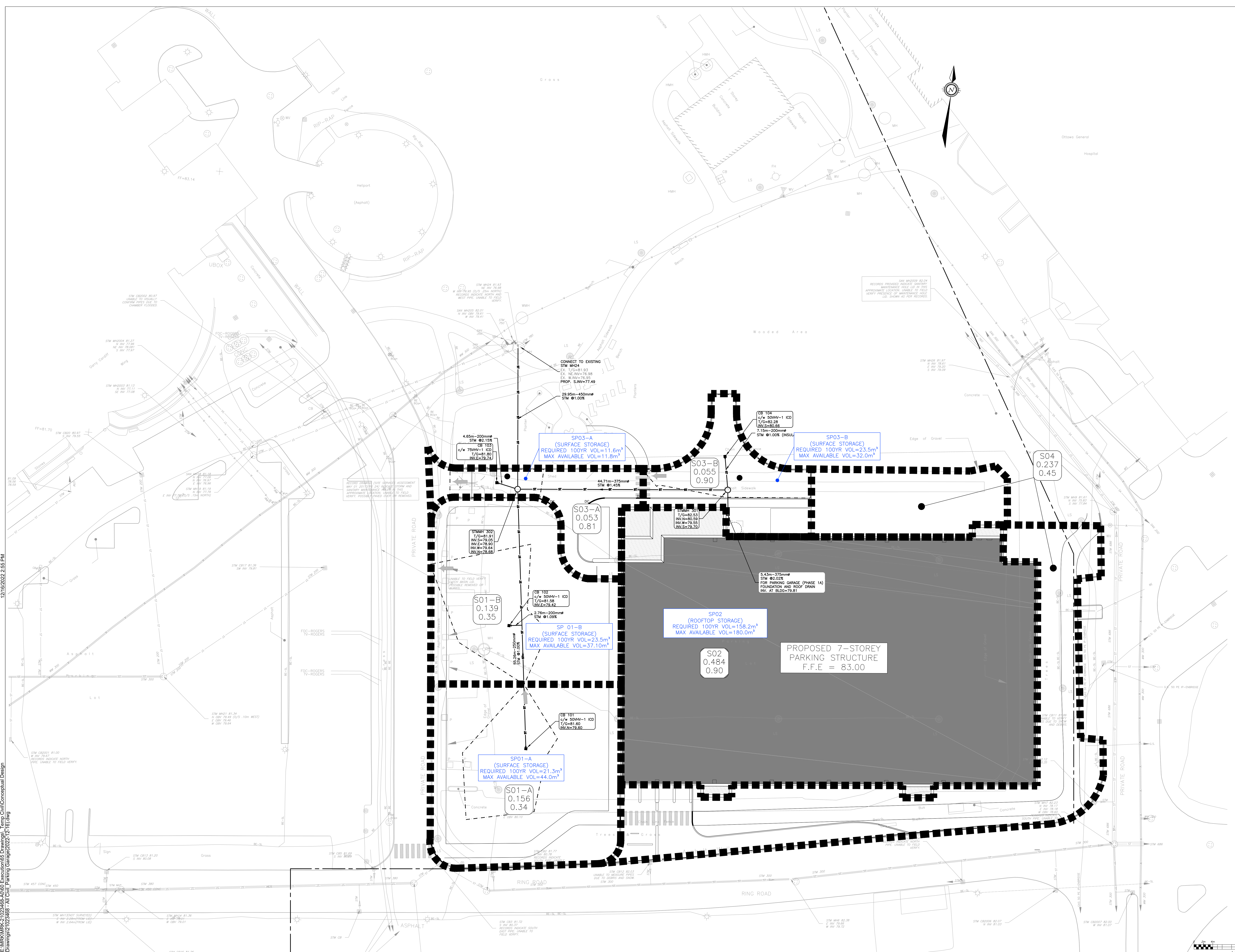
Client:  
**exp.**  
 220 Commerce Valley Drive West, Suite 110  
 Markham, ON L3T 0A8  
 Canada  
 www.exp.com

Client:  
**CHEO**  
 1DOORFOR4CARE (1D4C)  
 EROSION & SEDIMENT CONTROL PLAN FOR PARKING GARAGE PHASE 1A

Scale: 1:250  
 Date: NOVEMBER 2022  
 DWG No: C300

12/16/2022 2:54 PM  
 E:\MRK\21023468-A0\0303 Erosion&Sediment Control - Temp Civil\Conceptual Design Drawings\21023468 - All Civil Parking Sheets\2022\21023468.dwg





This drawing shall not be used for construction purposes until the seal appearing herein is signed and dated by the Architect or Engineer



2	ISSUED FOR SPC APPROVAL	16/12/22	AAS	KH
1	ISSUED FOR REVIEW	28/10/22	AJ	AA
REV	REVISION DESCRIPTION	DATE	BY	RWD



Proponent Consultant:  
**B+H**  
 481 University Ave, Suite 300  
 Toronto, ON M5G 2H4  
 t. 416.596.2299 f. 416.586.0599

Client:  
 exp.  
 220 Commerce Valley Drive West, Suite 110  
 Markham, ON L3T 0A8  
 Canada  
 www.exp.com

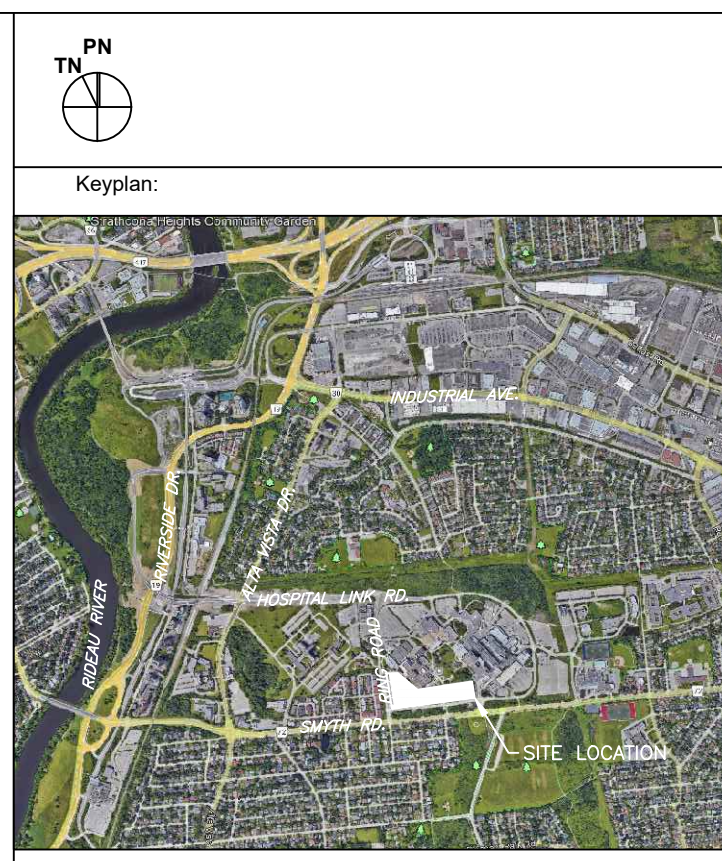
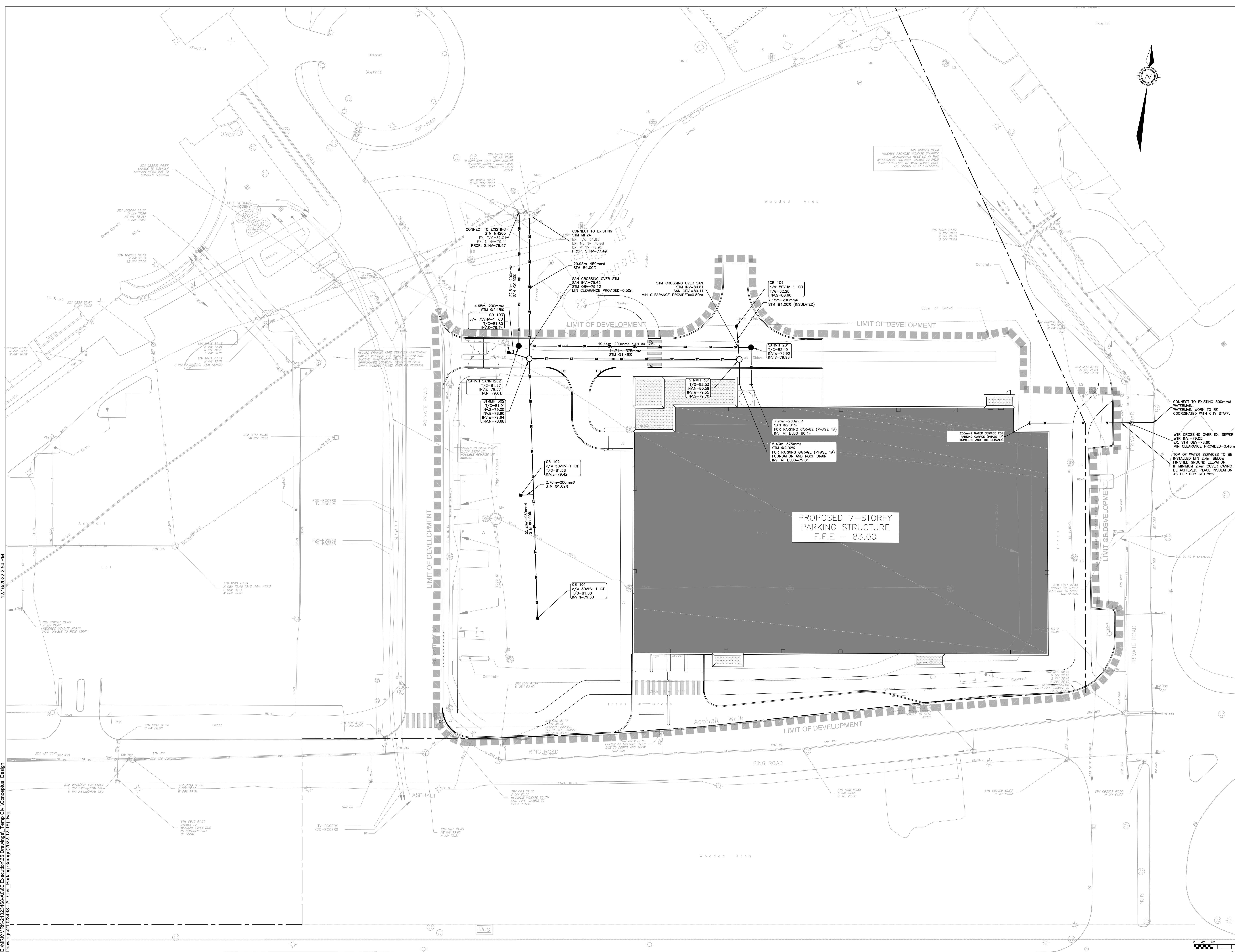
Client:  
**CHEO**  
 1DOORFOR4CARE (1D4C)

**STORMWATER MANAGEMENT PLAN FOR PARKING GARAGE PHASE 1A**

Scale: 1:250  
 Date: NOVEMBER 2022  
 MRK-21023468-A0  
 C400

12/16/2022 2:55 PM  
 E:\MRK\MRK-21023468-A0\03\_Stormwater Management\1D4C\1D4C\_Parking Garage\2022\22-11-16.dwg  
 Drawings\21023468 - All Civil Parking Garage\2022\22-11-16.dwg





This drawing shall not be used for construction purposes until the seal appearing herein is signed and dated by the Architect or Engineer



REV	REVISION DESCRIPTION	DATE	BY	RW/D
2	ISSUED FOR SPC APPROVAL	16/12/22	AAS	KH
1	ISSUED FOR REVIEW	28/10/22	AJ	AA



Proponent Consultant:  
**B+H**  
 481 University Ave., Suite 300  
 Toronto, ON M5G 2H4  
 T. 416.596.2299 F. 416.586.0599

Client:  
**exp.**  
 www.exp.com

Client:  
 XXX  
 XXX  
 t. XXX t. XXX

Project:  
**CHEO**  
 1DOORFOR4CARE (1D4C)  
 SITE SERVICING PLAN  
 FOR PARKING GARAGE  
 PHASE 1A

Scale: 1:250  
 Date: NOVEMBER 2022  
 Scale: 1:250  
 Date: NOVEMBER 2022

12/16/2022 2:54 PM

E:\MRK\21023468-A0\030\_Exp\1165\_Conceptual Design\1165\_Civil\_Parking Garage\2022\12-16-22.dwg