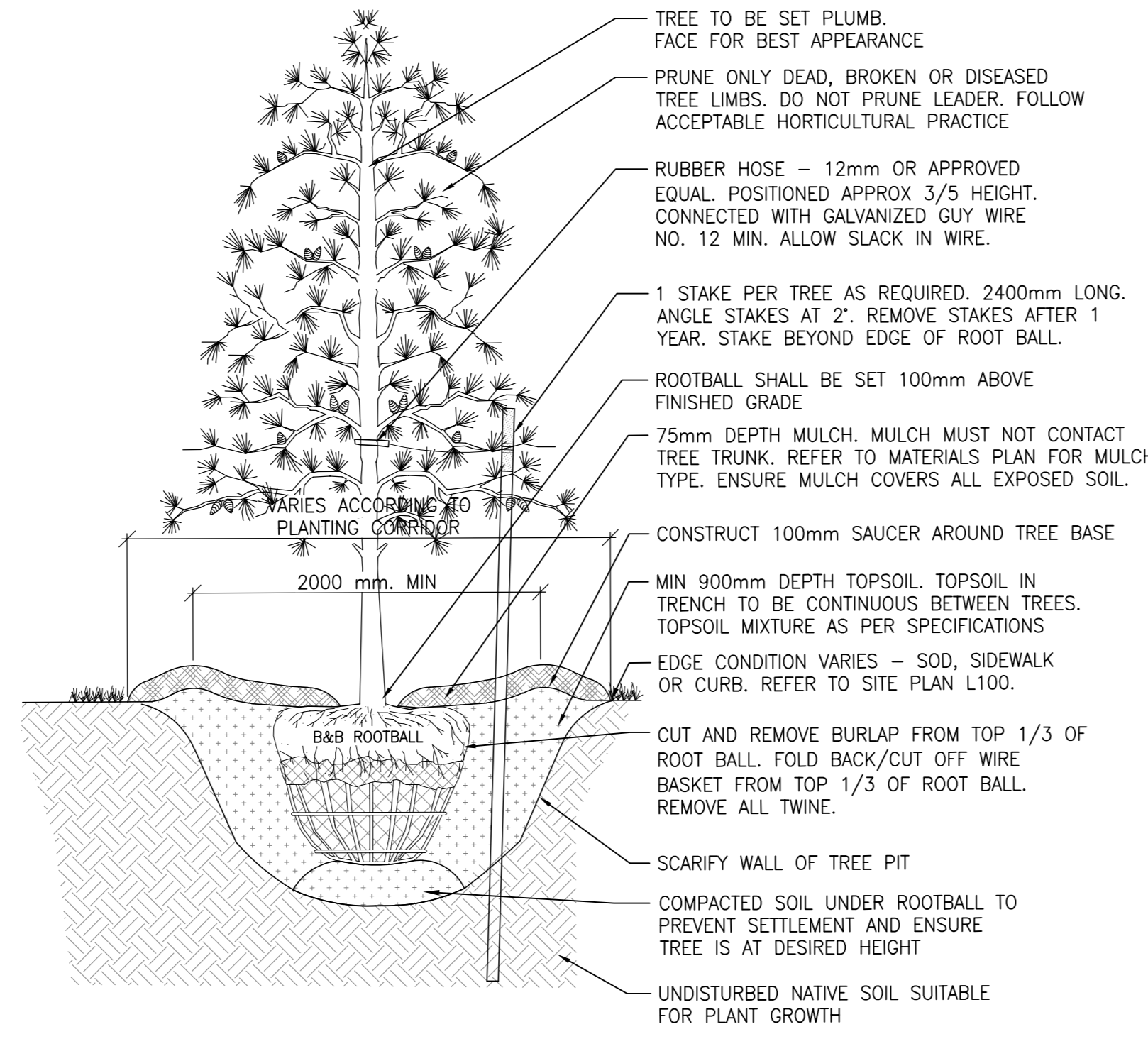


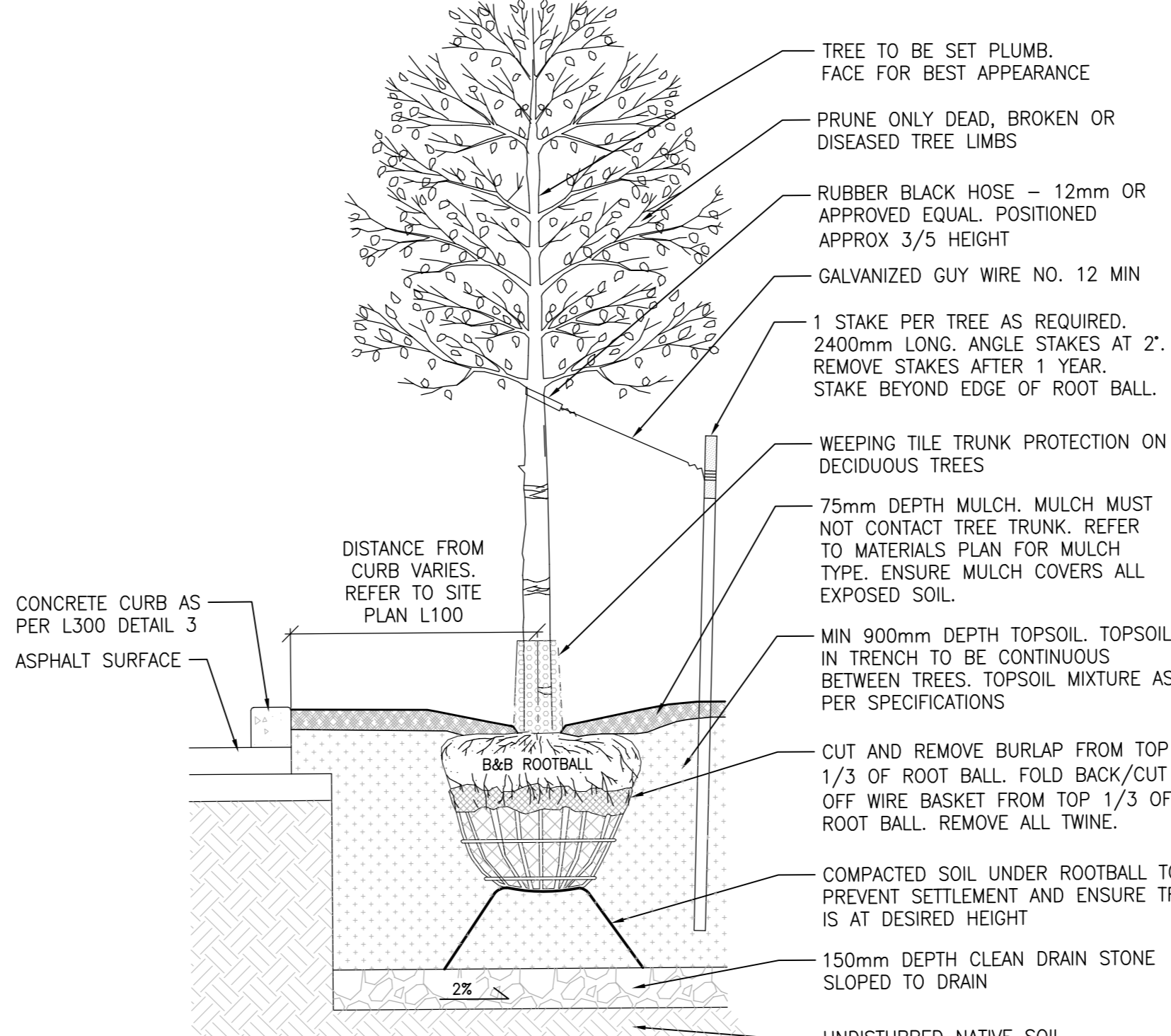
1 TYP DEC TREE PLANTING DETAIL

L100 L300 1:20



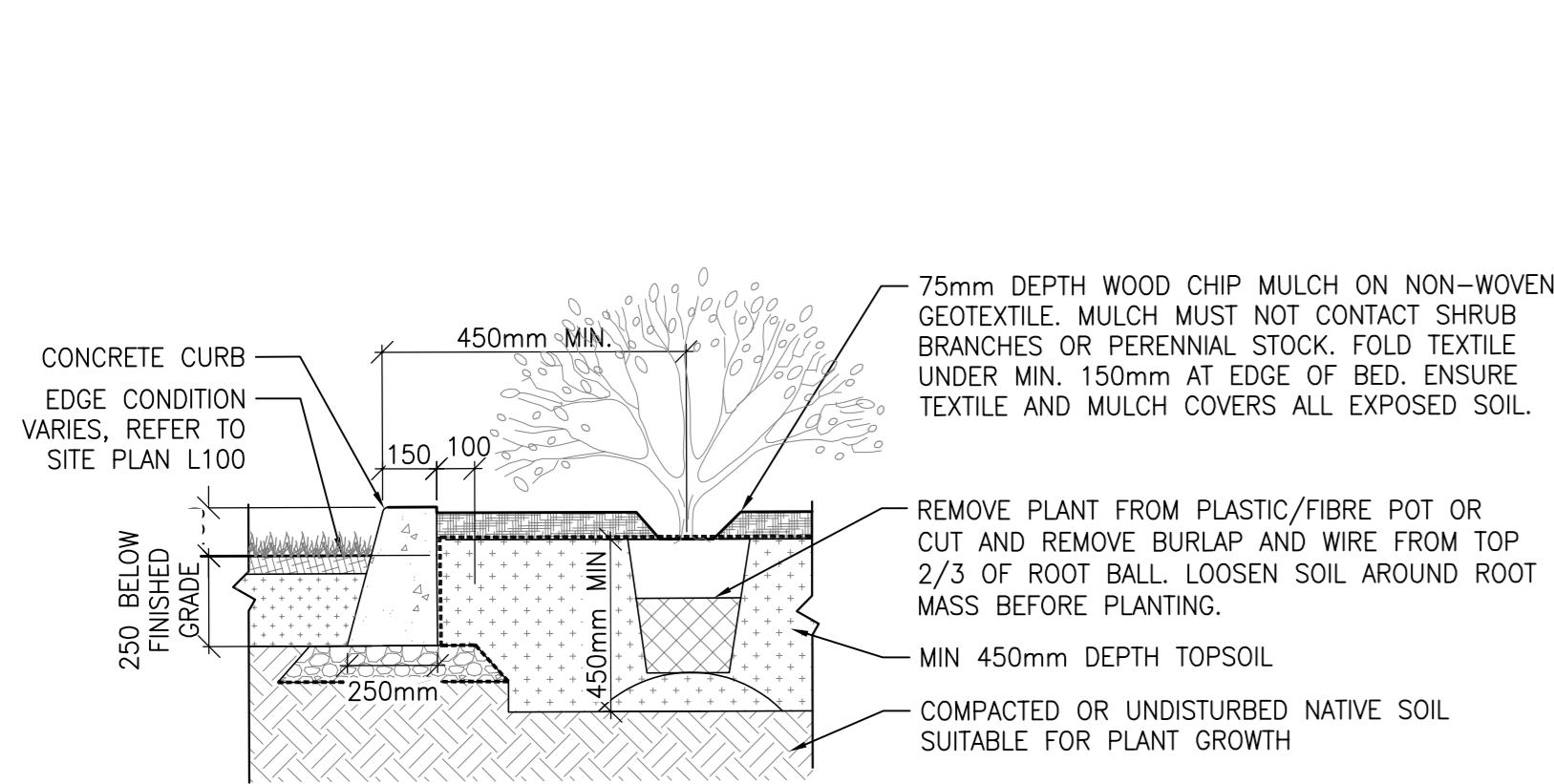
2 TYP CONIF TREE PLANTING DETAIL

L100 L300 1:20



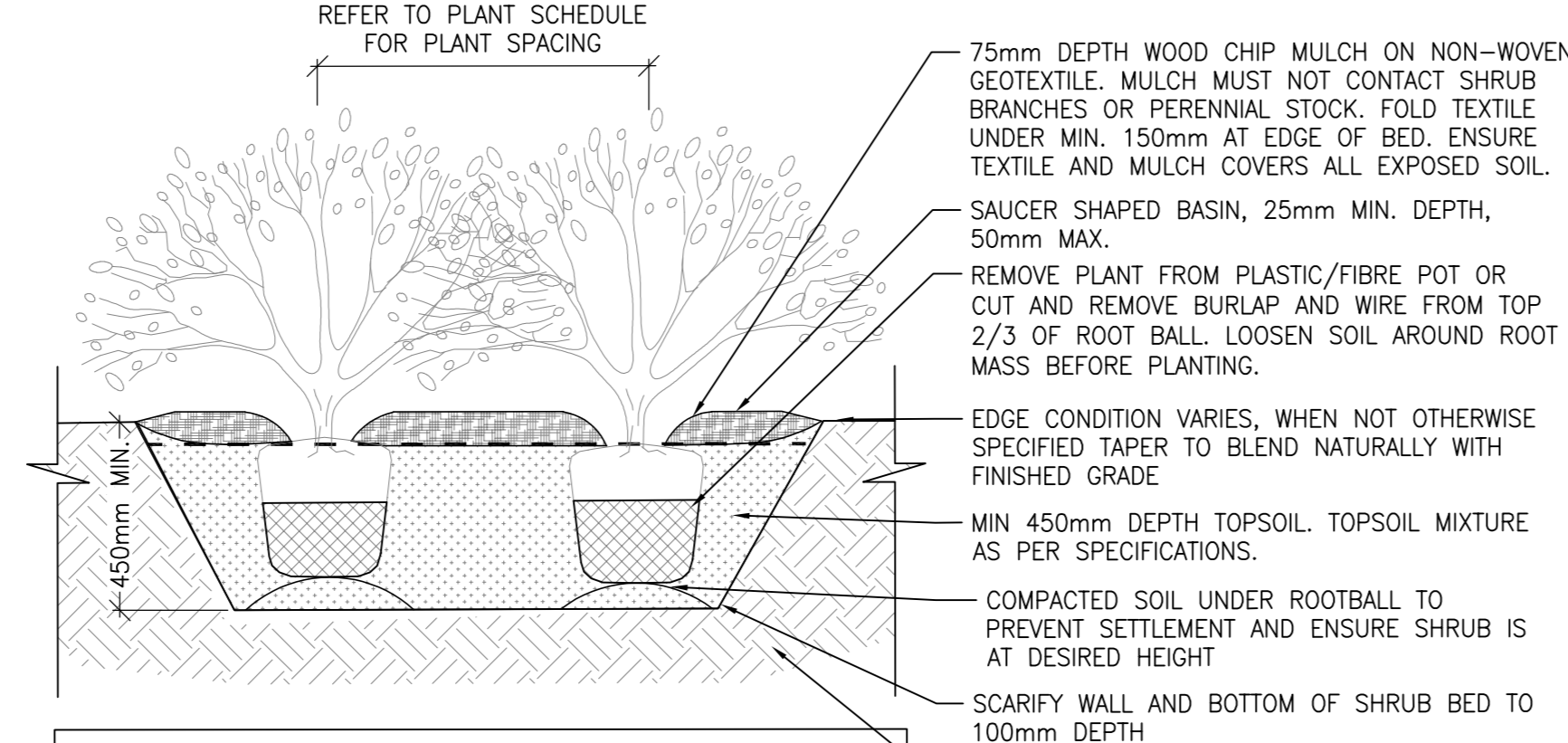
3 TYP TREE PLANTING IN PARKING ISLAND

L100 L300 1:20



4 TYP CONCRETE SIDEWALK

L100 L300 1:10

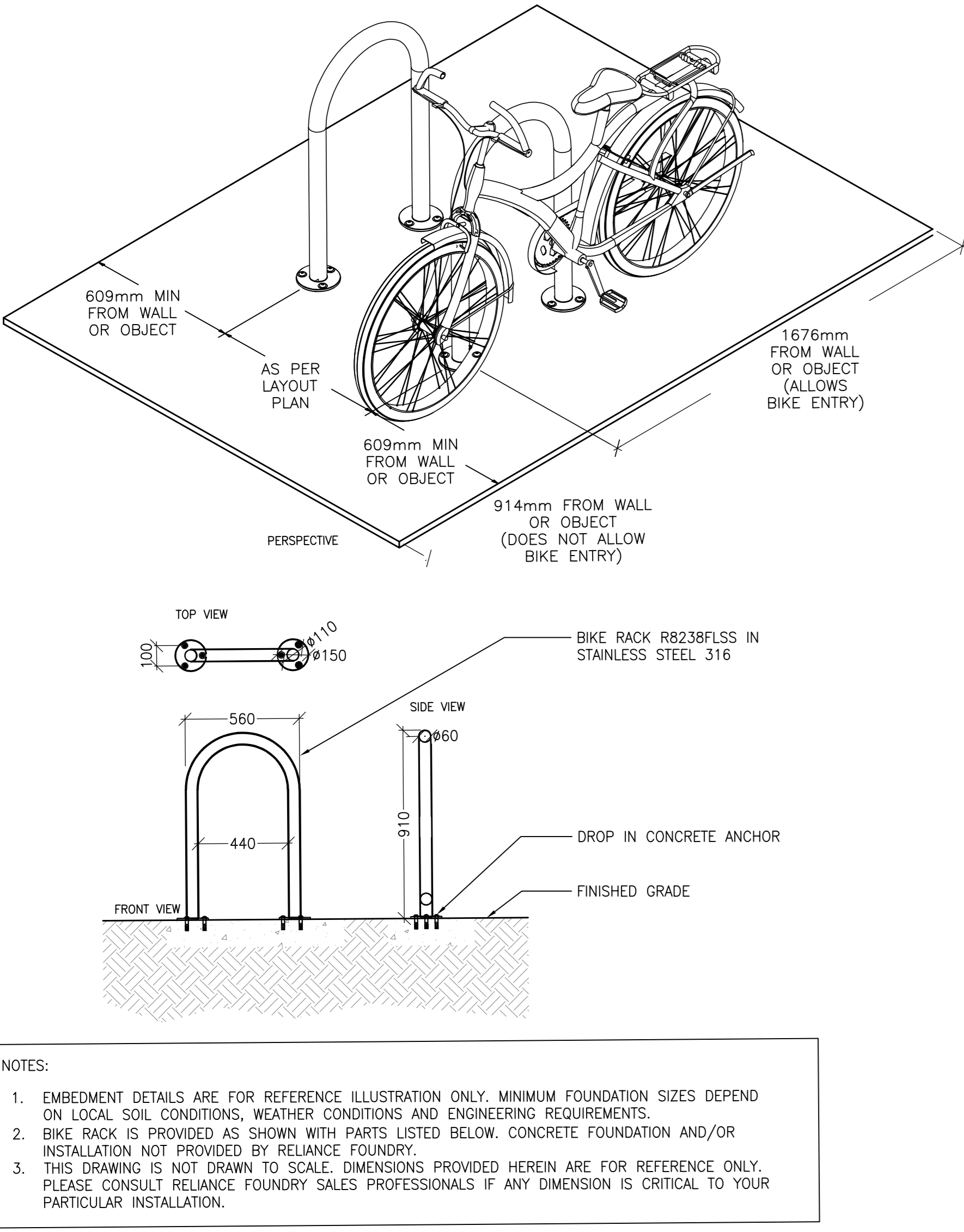


8 PLANTING BED AND CONCRETE EDGE DETAIL

L100 L300 1:20

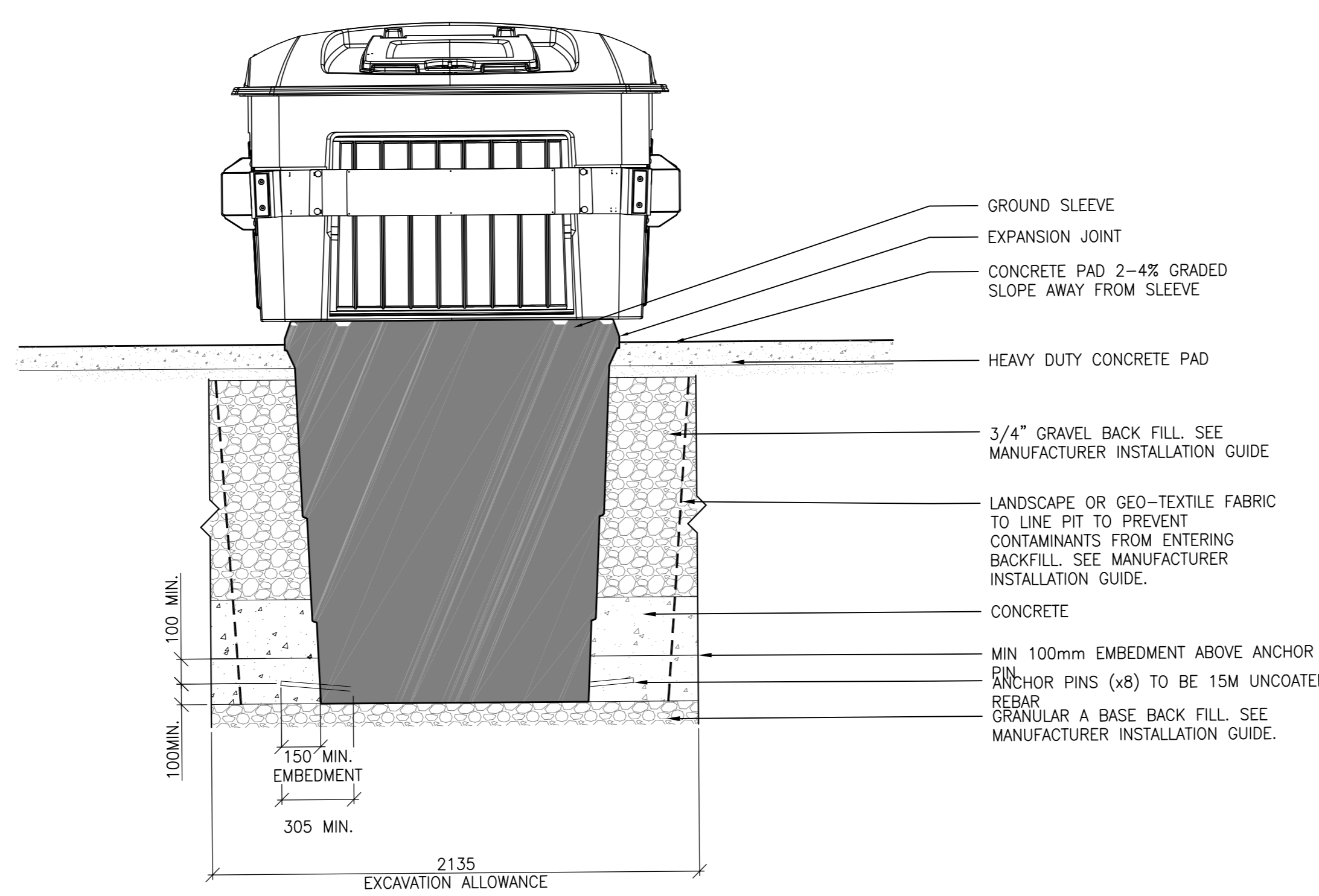
9 TYP SHRUB PLANTING DETAIL

L100 L300 1:20



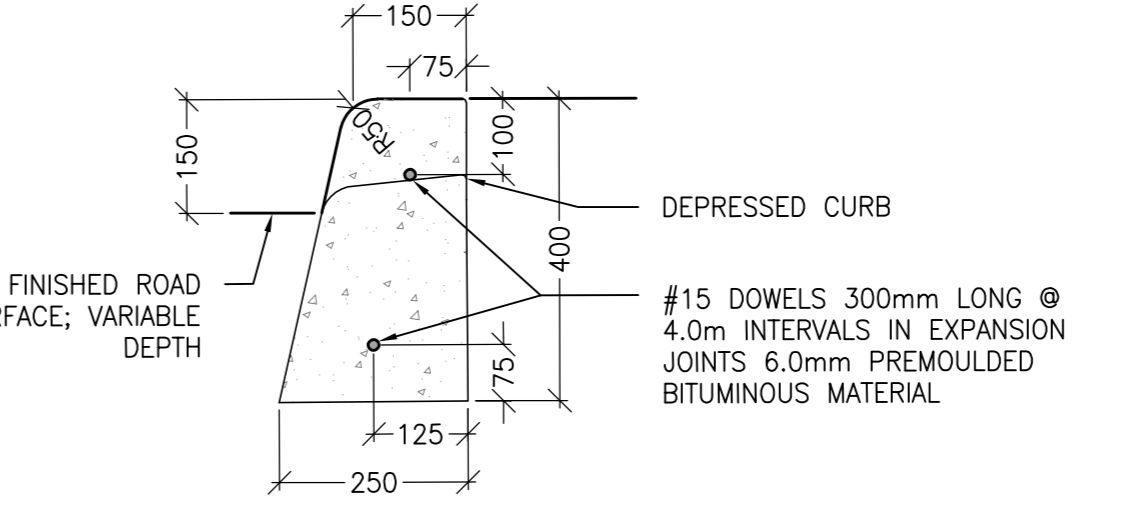
10 BIKE RACK DETAIL

L100 L201 NOT TO SCALE



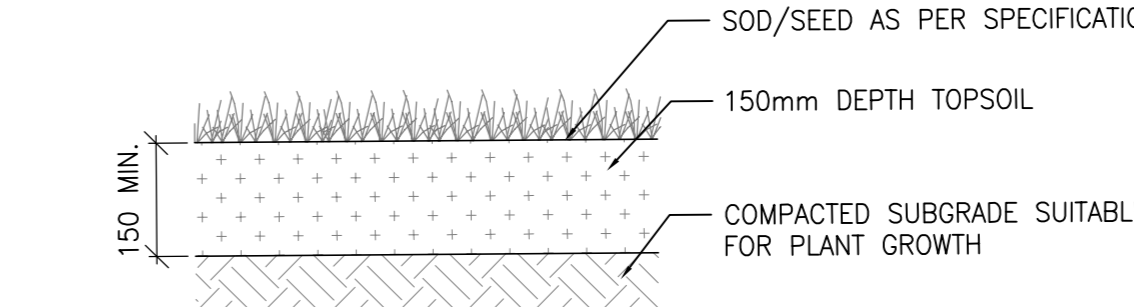
11 IN GROUND WASTE COLLECTION SYSTEM

L100 L201 1:20



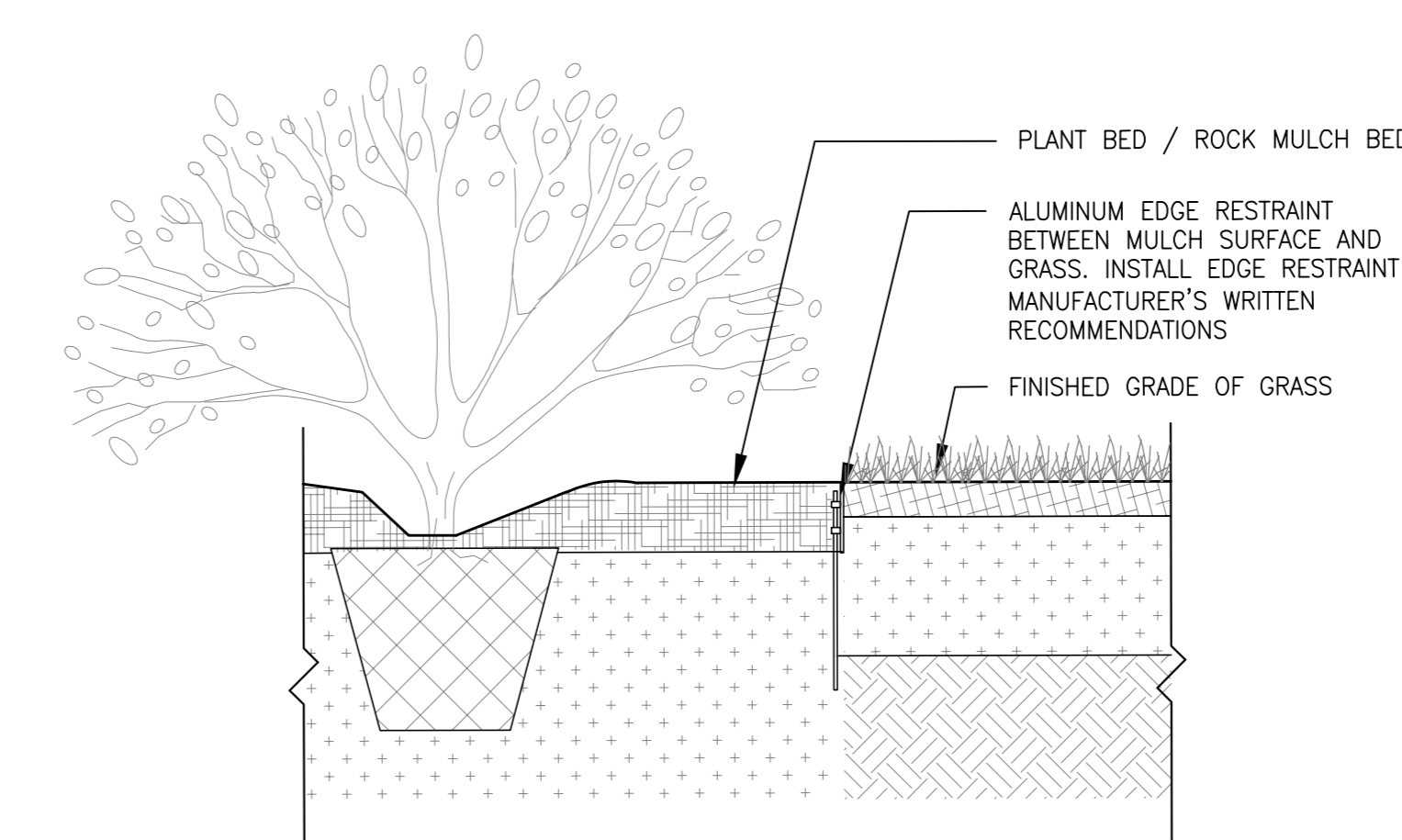
5 CONCRETE BARRIER CURB

L100 L300 1:10



6 TYP TOPSOIL AND SOD/SEED

L100 L300 1:10



7 TYP ALUMINUM EDGE RESTRAINT

L100 L300 1:10

CONSULTANT - SUB CONSULTANT

CONSULTANT - SUB CONSULTANT

CONSULTANT - SUB CONSULTANT

CONSULTANT - SUB CONSULTANT

SEAL:

CLIENT:

CLIENT REF #

PROJECT:

KEY PLAN:

DECLARATION:

ISSUED FOR: REVISION

DATE:

DESCRIPTION:

ISSUED FOR: REVISION

DATE:

DESCRIPTION:

DATE:

DESCRIPTION:

DATE:

DESCRIPTION:

DATE:

DESCRIPTION:

DATE:

DESCRIPTION:

DATE:

DESCRIPTION:

DATE:

DESCRIPTION:

DATE:

DESCRIPTION:

DATE:

DESCRIPTION:

1

2

3

4

5

6

7

8

9

10

11

12

13

14

15

16

17

18

11

10

9

8

7

6

5

4

3

2

1

H

G

F

E

D

C

B

A

H

G

F

E

D

C

B

A

11

10

9

8

7

6

5

4

3

2

1