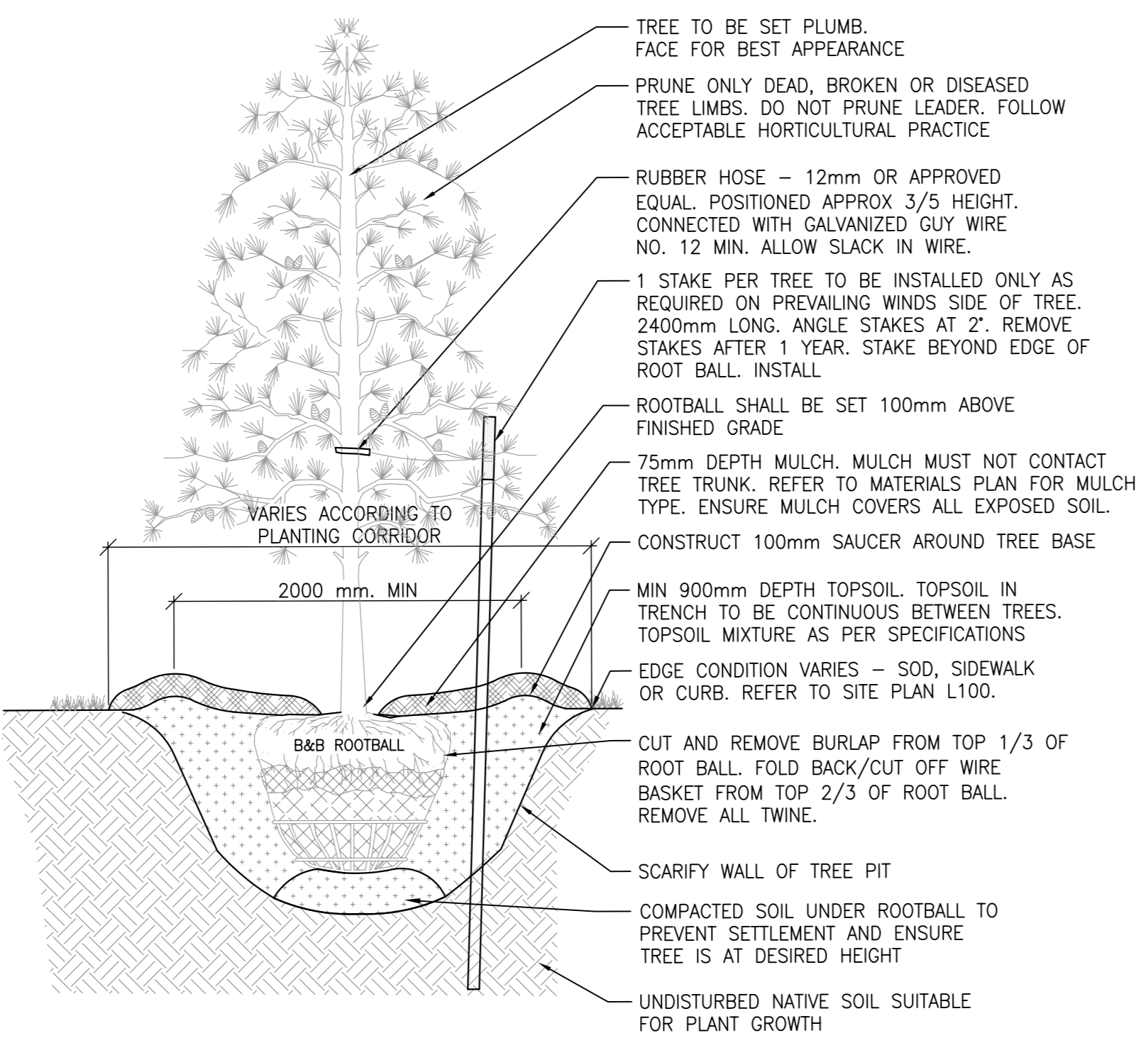
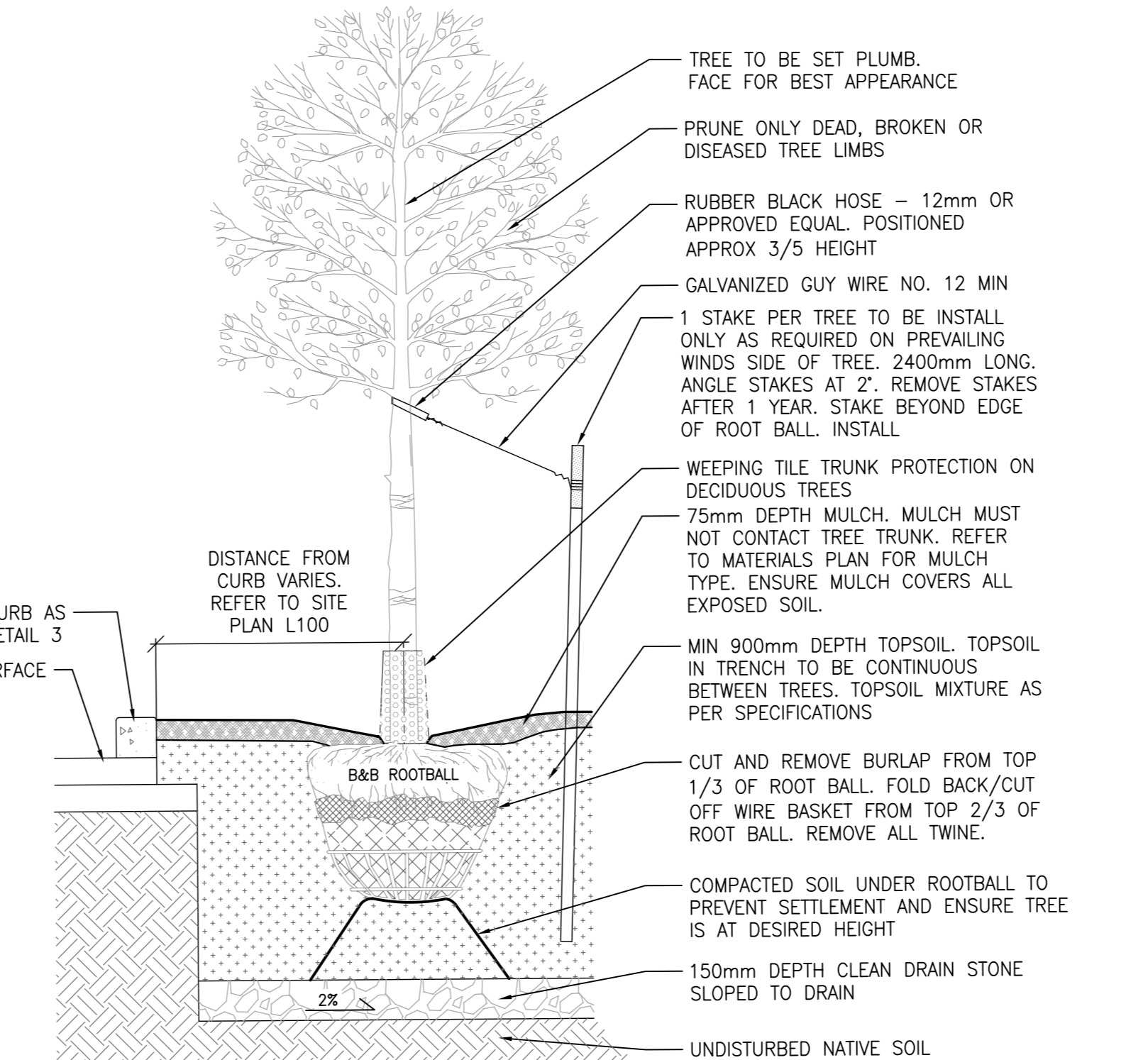


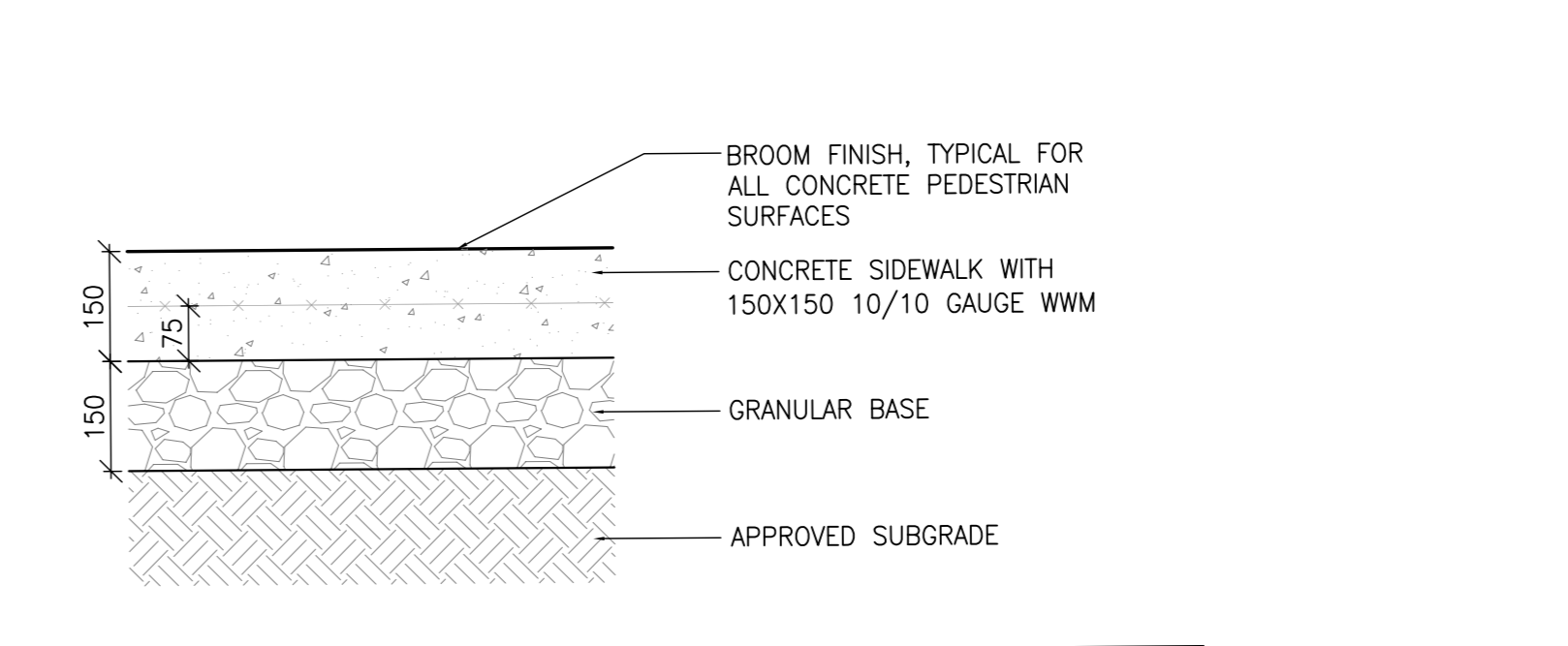
- 1 TYP DEC TREE PLANTING DETAIL**  
 L100 L300 1:20
- NOTES:  
 1. IF MINIMUM UTILITY SETBACKS PERMIT, POSITION TREE STAKES INTO DIRECTION OF PREVAILING WINDS.  
 2. ALL TREE STAKES TO MAINTAIN MINIMUM 1.0m CLEARANCE FROM ALL U/G POWER, TELEPHONE AND GAS ALIGNMENTS.  
 3. DIG ALL ROOT HOLES BY HAND WHEN CLOSER THAN 1.0m TO U/G POWER, TELEPHONE AND GAS ALIGNMENTS.



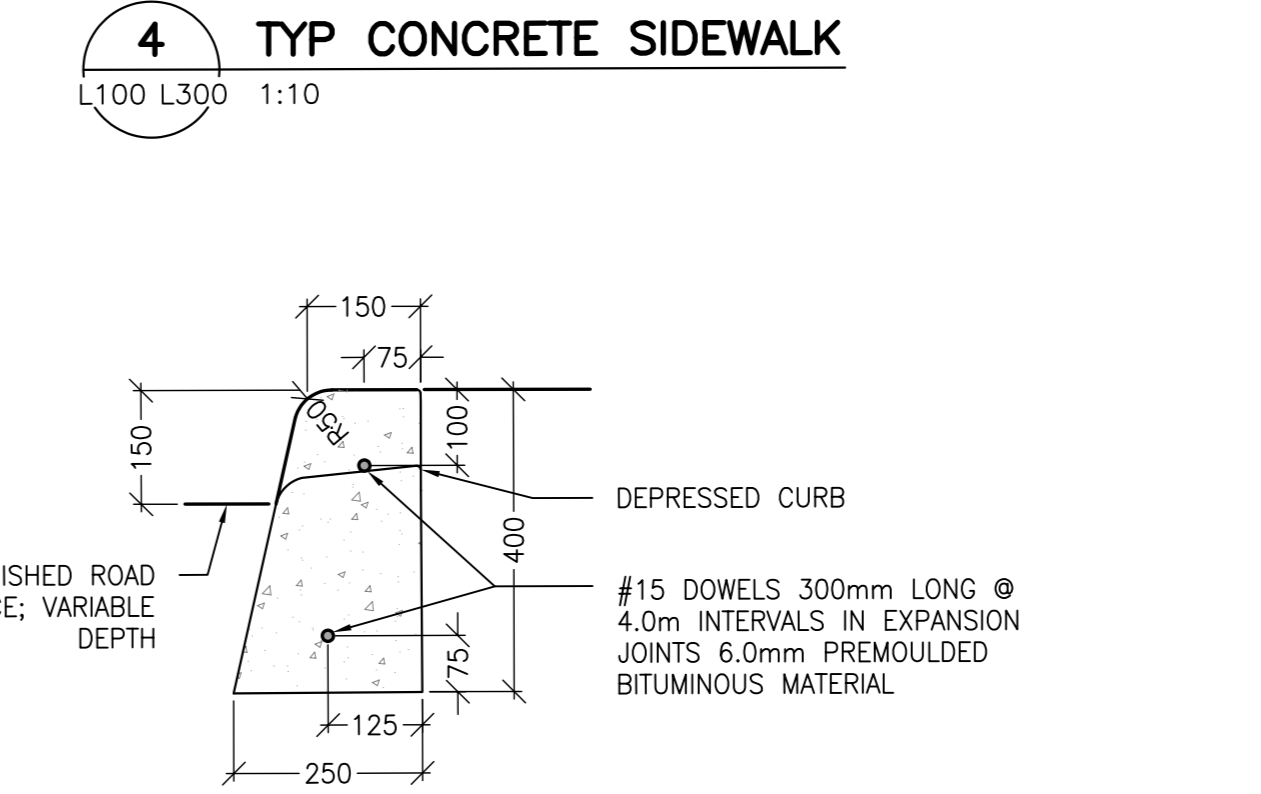
- 2 TYP CONIF TREE PLANTING DETAIL**  
 L100 L300 1:20
- NOTES:  
 1. IF MINIMUM UTILITY SETBACKS PERMIT, POSITION TREE STAKES INTO DIRECTION OF PREVAILING WINDS.  
 2. ALL TREE STAKES TO MAINTAIN MINIMUM 1.0m CLEARANCE FROM ALL U/G POWER, TELEPHONE AND GAS ALIGNMENTS.  
 3. DIG ALL ROOT HOLES BY HAND WHEN CLOSER THAN 1.0m TO U/G POWER, TELEPHONE AND GAS ALIGNMENTS.



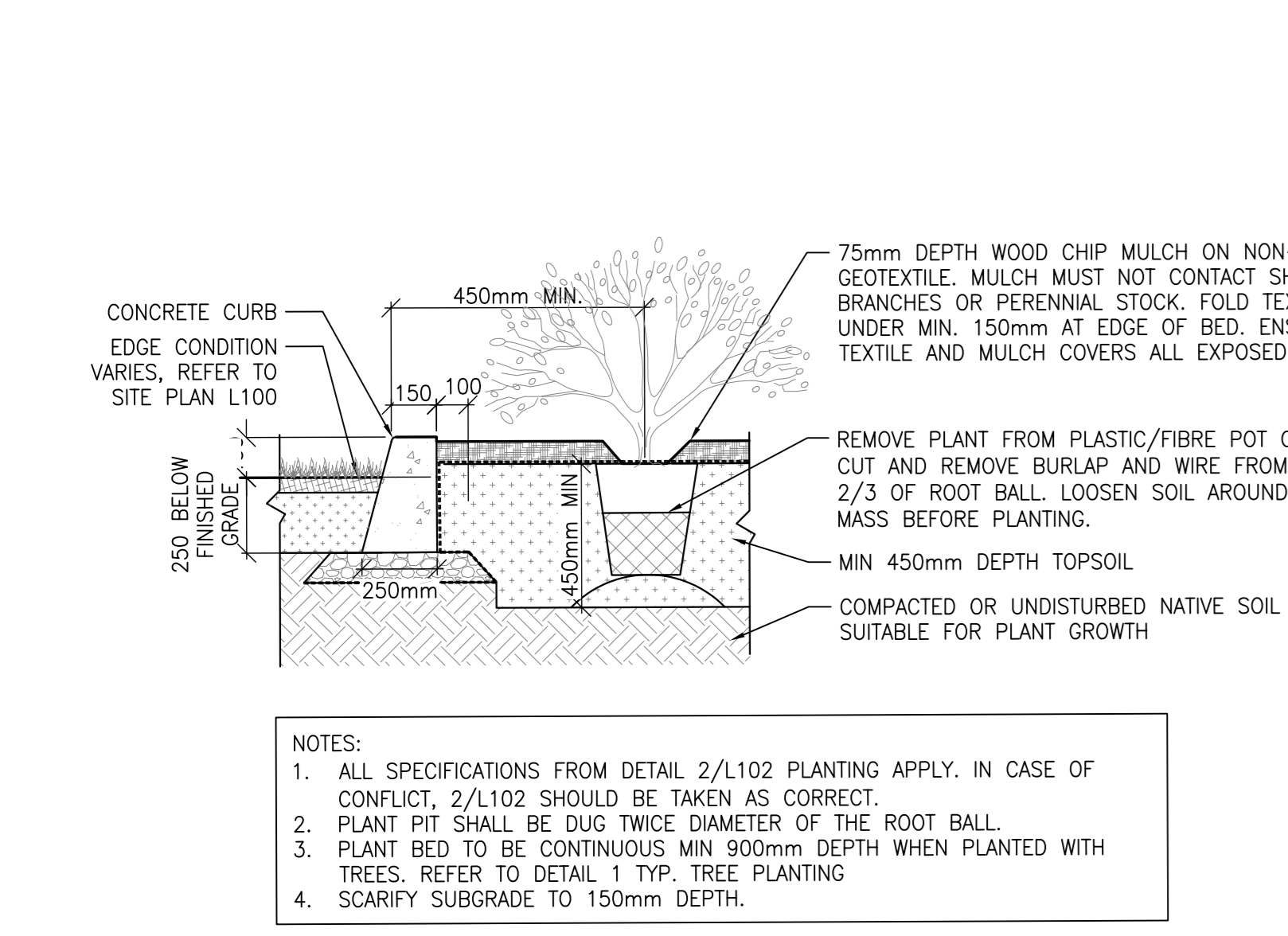
- 3 TYP TREE PLANTING IN PARKING ISLAND**  
 L100 L300 1:20
- NOTES:  
 1. IF MINIMUM UTILITY SETBACKS PERMIT, POSITION TREE STAKES INTO DIRECTION OF PREVAILING WINDS.  
 2. ALL TREE STAKES TO MAINTAIN MINIMUM 1.0m CLEARANCE FROM ALL U/G POWER, TELEPHONE AND GAS ALIGNMENTS.  
 3. DIG ALL ROOT HOLES BY HAND WHEN CLOSER THAN 1.0m TO U/G POWER, TELEPHONE AND GAS ALIGNMENTS.



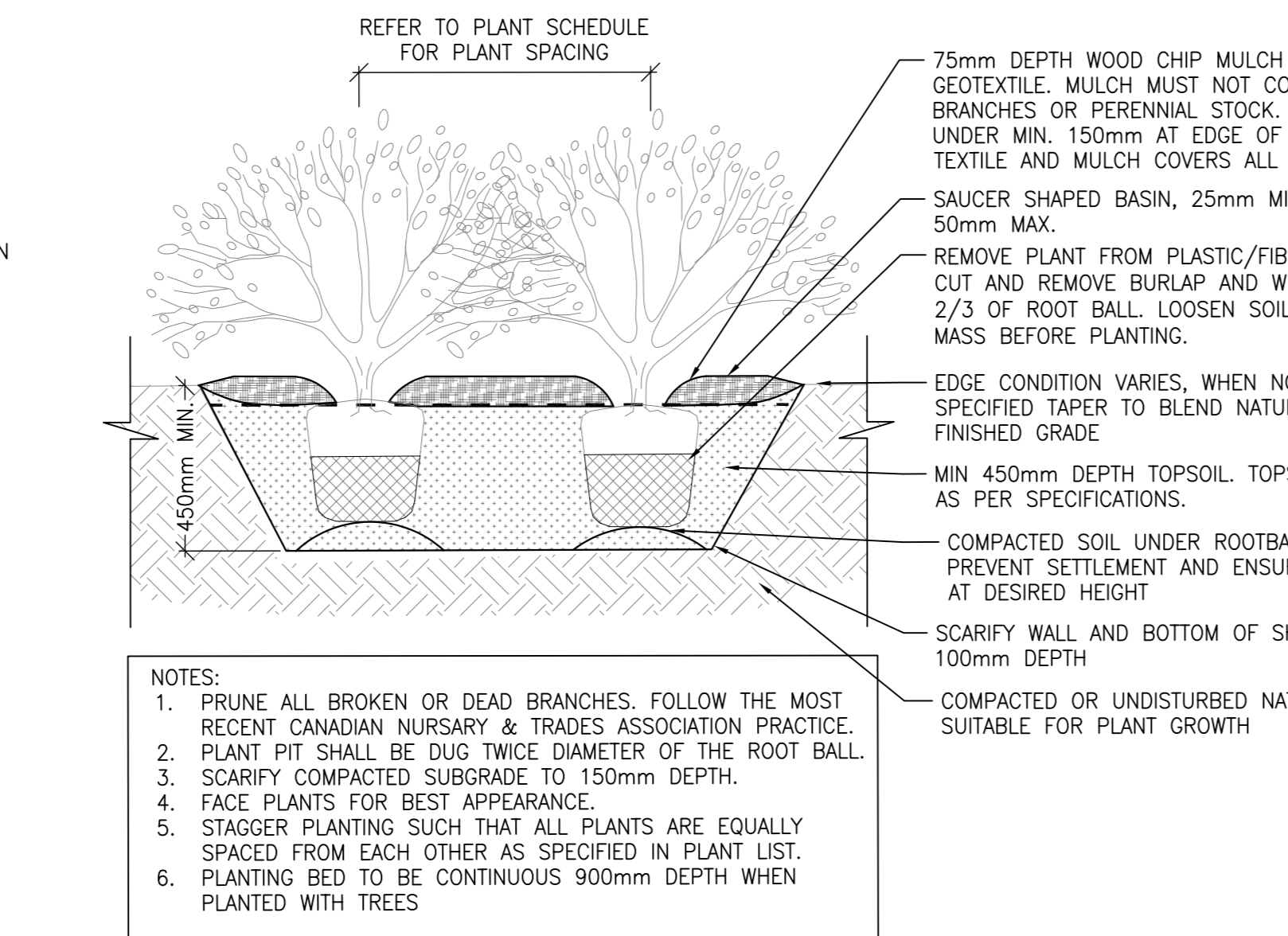
- 4 TYP CONCRETE SIDEWALK**  
 L100 L300 1:10
- NOTES:  
 1. PROVIDE EXPANSION JOINTS EVERY 9M AND AT EVERY LOCATION A CONCRETE SIDEWALK ADJUTS A RIGID SURFACE (E.G. CONCRETE CURB, WALL, ASPHALT PAVING) THE BITUMINOUS EXPANSION JOINT TO BE THE WIDTH OF THE CONCRETE SIDEWALK AND HAVE A JOINT SEALANT AT THE SURFACE.  
 2. PROVIDE CONTROL JOINTS EVERY 1.5m. CONTROL JOINT TO BE A SAW CUT JOINT AT A DEPTH OF 12.5mm.  
 3. PROVIDE CONSTRUCTION JOINTS AS NECESSARY. CONSTRUCTION JOINT TO HAVE A BITUMINOUS FILLER AND SEALANT AT THE SURFACE. JOIN BOTH SLABS WITH A SMOOTH, CREASED ROD EXTENDING 75mm IN EACH SIDE.



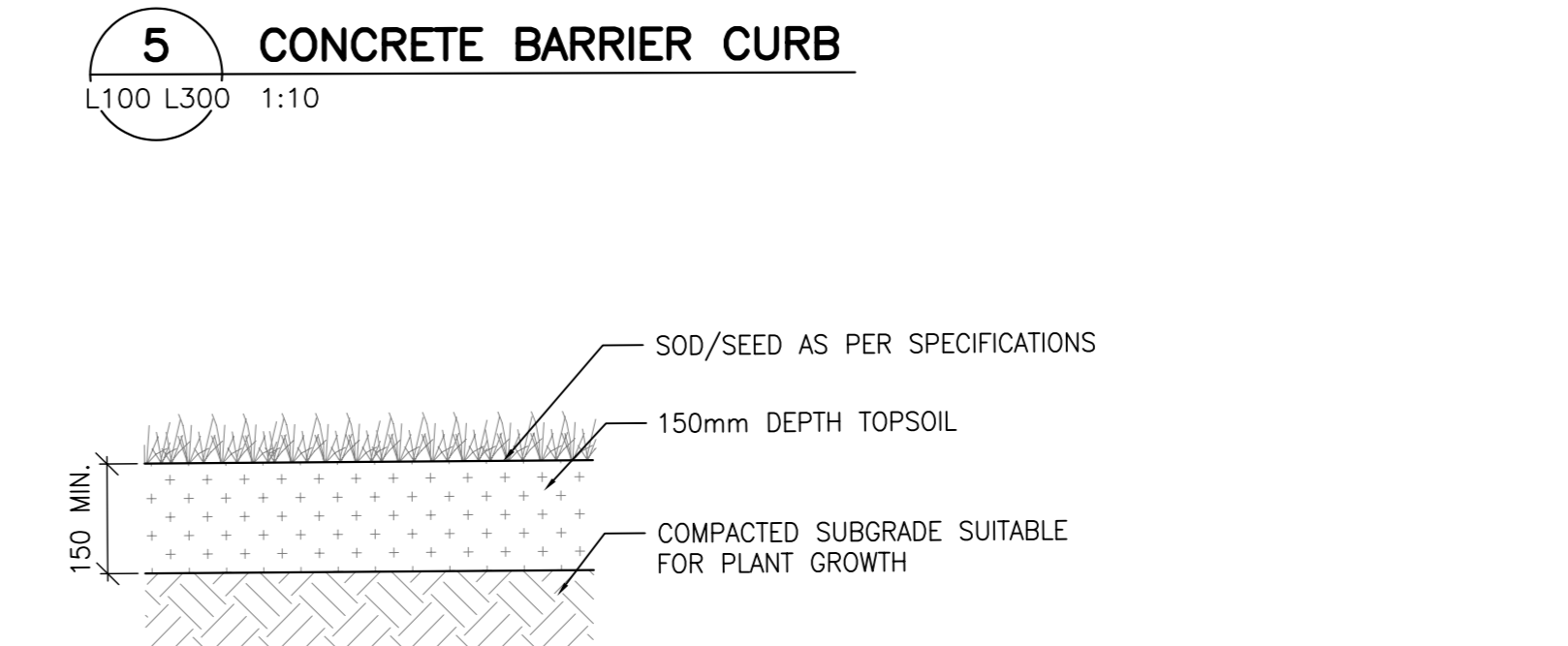
- 5 CONCRETE BARRIER CURB**  
 L100 L300 1:10
- NOTES:  
 1. THE FULL CURB DEPTH SHALL BE CARRIER THROUGH THE DEPRESSED ACCESS CROSSING.  
 2. A CONCRETE SUPPORT IS REQUIRED WHEN BUILT ADJACENT TO THE SIDEWALK.  
 3. IF AN EXTRUSION CURING MACHINE IS USED, THE EXPANSION BITUMINOUS MATERIAL AND THE #15 DOWELS ARE TO BE PLACED AT THE END OF THE EXTRUSION.  
 4. DUMMY JOINTS SHALL BE 25mm DEEP, FRONT, BACK AND TOP OF SECTION AT 2m SPACING.  
 5. FOR DEPRESSED CURB AT ENTRANCES USE 250mm HEIGHT.  
 6. DEPRESSED CURB HEIGHT - FOR PEDESTRIAN CURB RAMP 0 TO 6mm AND FOR PRIVATE ENTRANCES 0 TO 25mm.



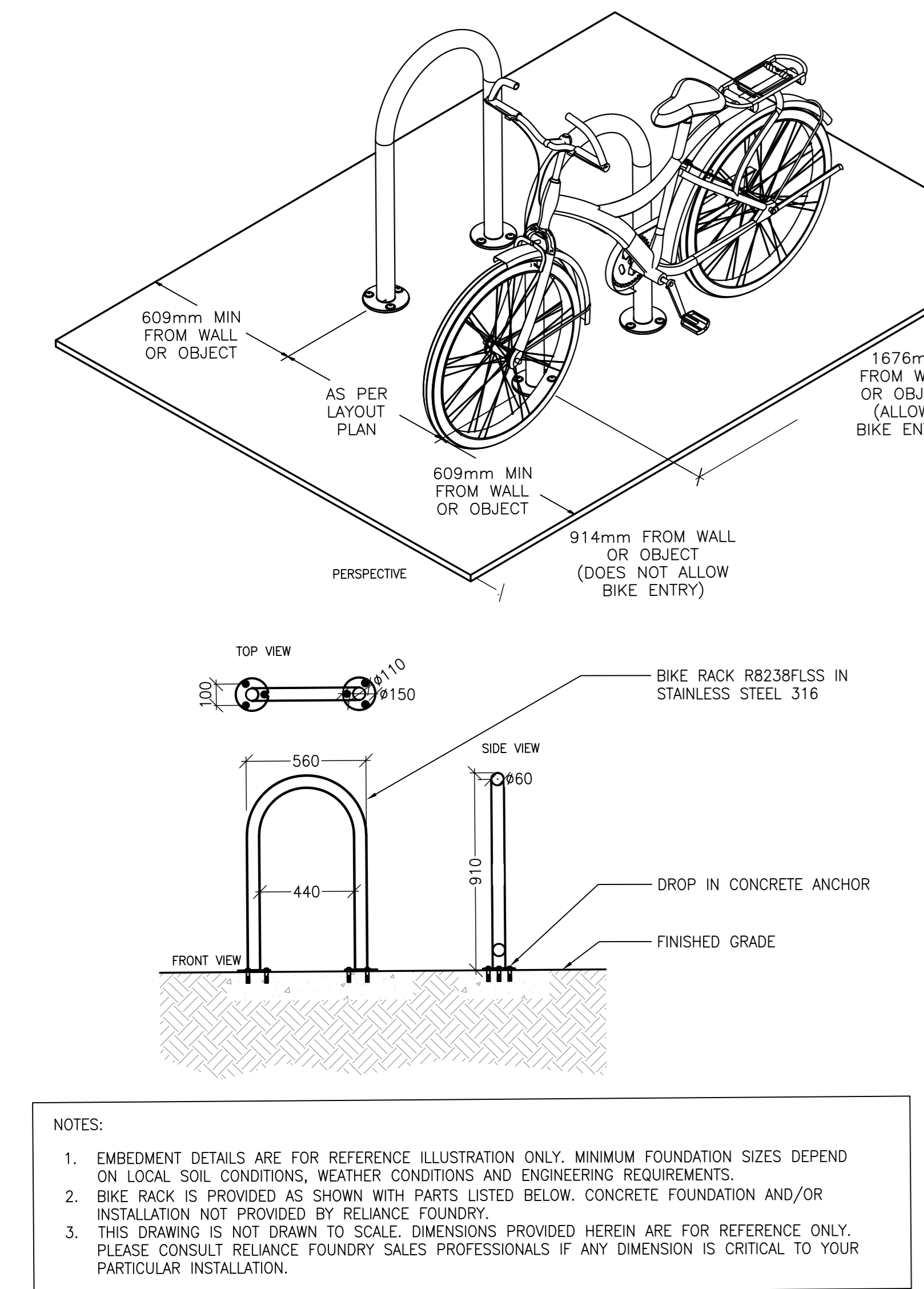
- 8 PLANTING BED AND CONCRETE EDGE DETAIL**  
 L100 L300 1:20
- NOTES:  
 1. ALL SPECIFICATIONS FROM DETAIL 2/L102 PLANTING APPLY. IN CASE OF CONFLICT, 2/L102 SHOULD BE TAKEN AS CORRECT.  
 2. PLANT PIT SHALL BE DUG TWICE DIAMETER OF THE ROOT BALL.  
 3. PLANT BED TO BE CONTINUOUS MIN 900mm DEPTH WHEN PLANTED WITH TREES. REFER TO DETAIL 1 TYP TREE PLANTING.  
 4. SCARIFY SUBGRADE TO 150mm DEPTH.



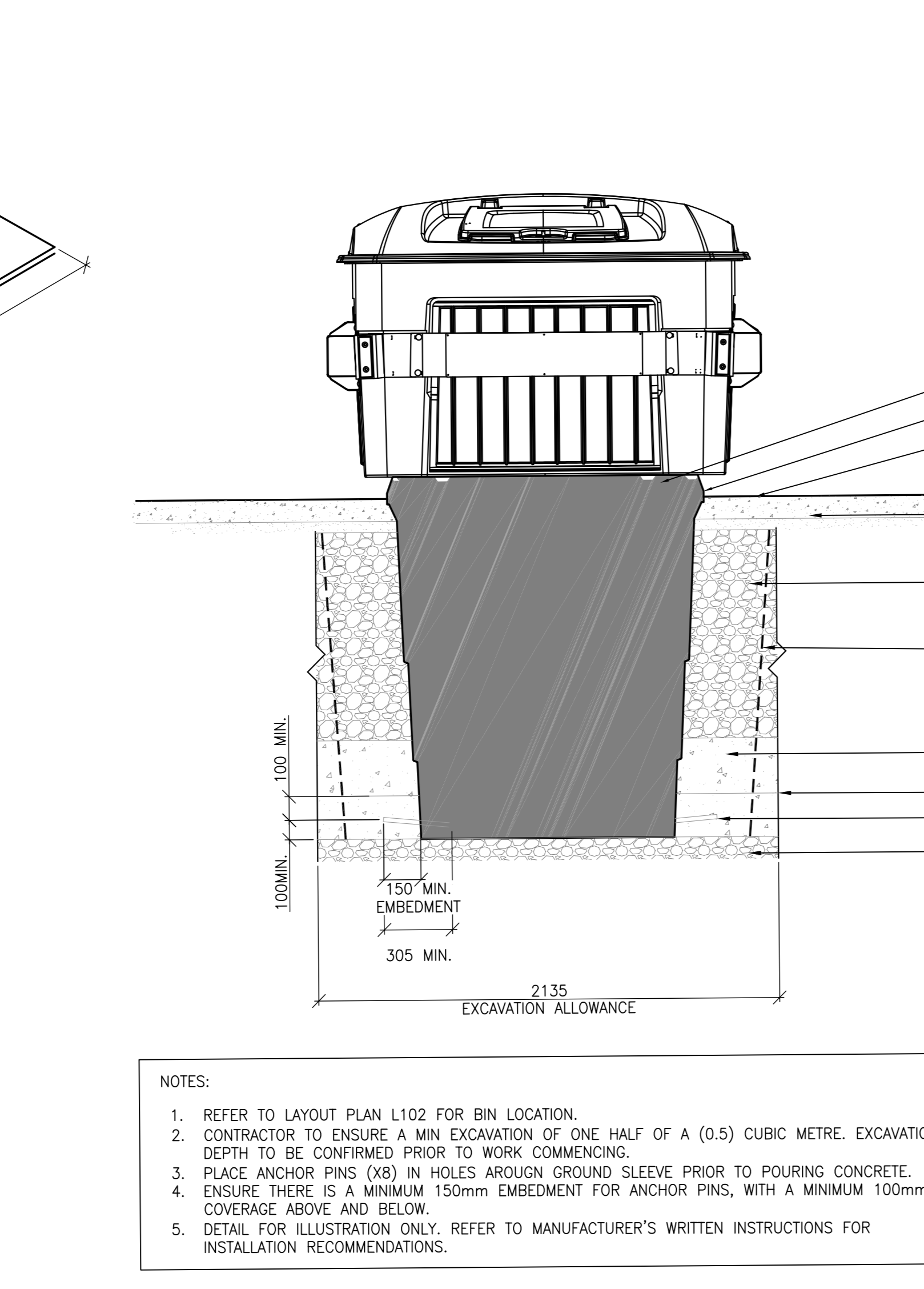
- 9 TYP SHRUB PLANTING DETAIL**  
 L100 L300 1:20
- NOTES:  
 1. PRUNE ALL BROKEN OR DEAD BRANCHES. FOLLOW THE MOST RECENT CANADIAN NURSERY & TRADES ASSOCIATION PRACTICE.  
 2. PLANT PIT SHALL BE DUG TWICE DIAMETER OF THE ROOT BALL.  
 3. SCARIFY COMPACTED SUBGRADE TO 150mm DEPTH.  
 4. FACE PLANTS FOR BEST APPEARANCE.  
 5. STAGGER PLANTING SUCH THAT ALL PLANTS ARE EQUALLY SPACED FROM EACH OTHER AS SPECIFIED IN PLANT LIST.  
 6. PLANTING BED TO BE CONTINUOUS 900mm DEPTH WHEN PLANTED WITH TREES.



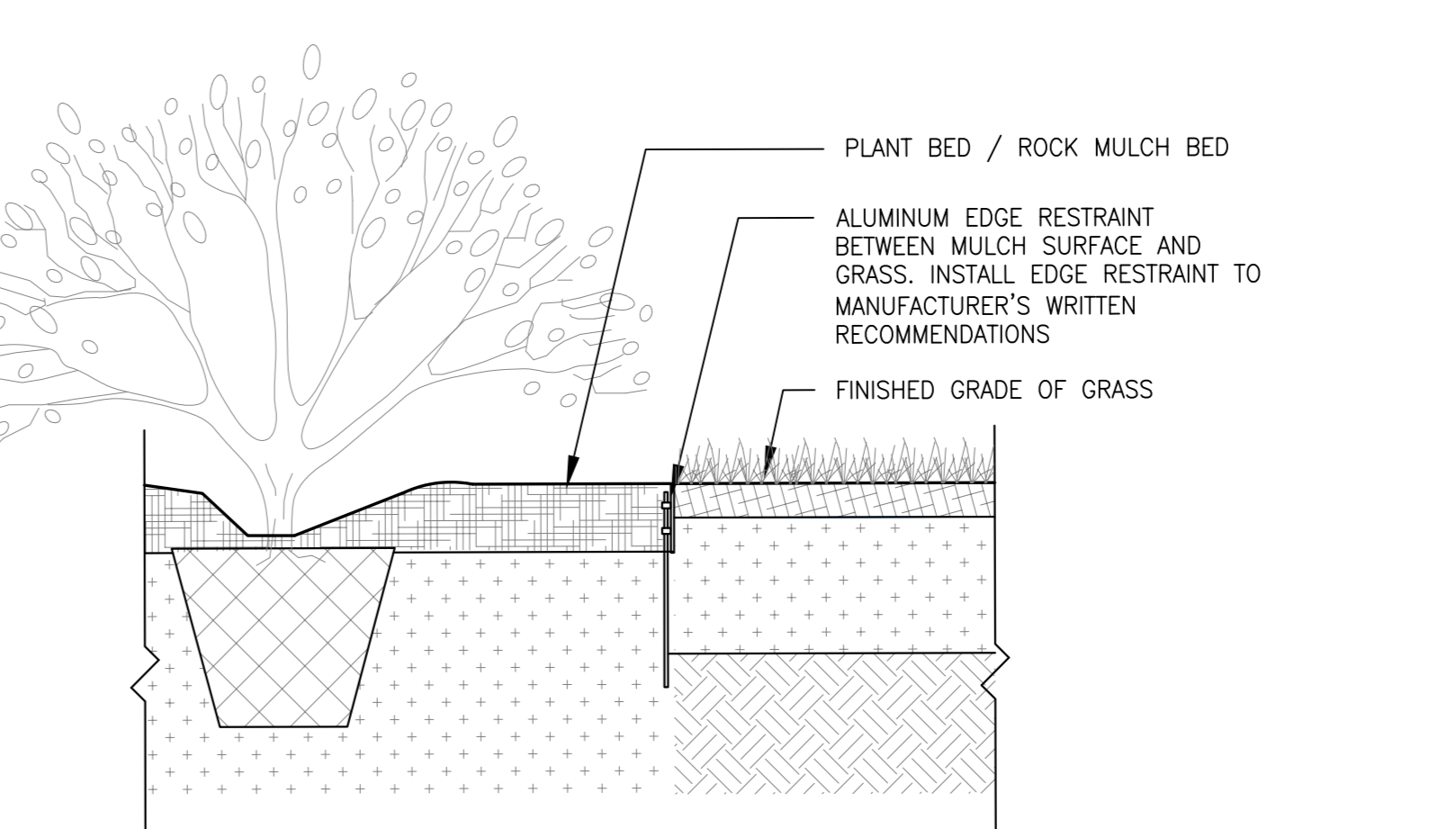
- 6 TYP TOPSOIL AND SOD/SEED**  
 L100 L300 1:10
- NOTES:  
 1. SOD/SEED AS PER SPECIFICATIONS.  
 2. 150mm DEPTH TOPSOIL.  
 3. COMPACTED SUBGRADE SUITABLE FOR PLANT GROWTH.



- 10 BIKE RACK DETAIL**  
 L100 L201 NOT TO SCALE
- NOTES:  
 1. EMBEDMENT DETAILS ARE FOR REFERENCE ILLUSTRATION ONLY. MINIMUM FOUNDATION SIZES DEPEND ON LOCAL SOIL CONDITIONS, WEATHER CONDITIONS AND ENGINEERING REQUIREMENTS.  
 2. BIKE RACK IS PROVIDED AS SHOWN WITH PARTS LISTED BELOW. CONCRETE FOUNDATION AND/OR INSTALLATION NOT PROVIDED BY RELIANCE FOUNDRY.  
 3. THIS DRAWING IS NOT DRAWN TO SCALE. DIMENSIONS PROVIDED HEREIN ARE FOR REFERENCE ONLY. PLEASE CONSULT RELIANCE FOUNDRY SALES PROFESSIONALS IF ANY DIMENSION IS CRITICAL TO YOUR PARTICULAR INSTALLATION.



- 11 IN GROUND WASTE COLLECTION SYSTEM**  
 L100 L201 1:20
- NOTES:  
 1. REFER TO LAYOUT PLAN L102 FOR BIN LOCATION.  
 2. CONTRACTOR TO ENSURE A MIN EXCAVATION OF ONE HALF OF A (0.5) CUBIC METRE. EXCAVATION DEPTH TO BE CONFIRMED PRIOR TO WORK COMMENCING.  
 3. PLACE ANCHOR PINS (x8) IN HOLES AROUND GROUND SLEEVE PRIOR TO POURING CONCRETE.  
 4. ENSURE THERE IS A MINIMUM 150mm EMBEDMENT FOR ANCHOR PINS, WITH A MINIMUM 100mm OF COVERAGE ABOVE AND BELOW.  
 5. DETAIL FOR ILLUSTRATION ONLY. REFER TO MANUFACTURER'S WRITTEN INSTRUCTIONS FOR INSTALLATION RECOMMENDATIONS.



- 7 TYP ALUMINUM EDGE RESTRAINT**  
 L100 L300 1:10
- NOTES:  
 1. PLANT BED / ROCK MULCH BED.  
 2. ALUMINUM EDGE RESTRAINT BETWEEN MULCH SURFACE AND GRASS. INSTALL EDGE RESTRAINT TO MANUFACTURER'S WRITTEN RECOMMENDATIONS.  
 3. FINISHED GRADE OF GRASS.

CONSULTANT - SUB CONSULTANT

CONSULTANT - SUB CONSULTANT

CONSULTANT - SUB CONSULTANT

CONSULTANT - SUB CONSULTANT

CONSULTANT - SUB CONSULTANT

CONSULTANT - SUB CONSULTANT

CONSULTANT - SUB CONSULTANT

CONSULTANT - SUB CONSULTANT

CONSULTANT - SUB CONSULTANT

CONSULTANT - SUB CONSULTANT

CONSULTANT - SUB CONSULTANT

CONSULTANT - SUB CONSULTANT

CONSULTANT - SUB CONSULTANT

CONSULTANT - SUB CONSULTANT

CONSULTANT - SUB CONSULTANT

CONSULTANT - SUB CONSULTANT



PROPOSED SELF-STORAGE  
 864 LADY ELLEN PLACE

DISCLAIMER:  
 THE DRAWING AND DESIGN IS COPYRIGHT PROTECTED WORK AND SHALL NOT BE REPRODUCED OR TRANSMITTED IN ANY FORM OR BY ANY MEANS, ELECTRONIC OR MECHANICAL, INCLUDING PHOTOCOPYING, RECORDING, OR BY ANY INFORMATION STORAGE AND RETRIEVAL SYSTEM, WITHOUT THE WRITTEN PERMISSION OF ARCHITECTURE 49. CHECK AND VERIFY ALL DIMENSIONS AND UTILITY LOCATIONS AND REPORT ALL ERRORS AND OMISSIONS PRIOR TO COMMENCING WORK.  
 COPYRIGHT:  
 ARCHITECTURE 49

ISSUED FOR: -RIB/00A

NO.	DATE	DESCRIPTION
1	2023-06-13	ISSUED FOR SPA
2	2023-06-13	ISSUED FOR SPA
3	2023-06-13	ISSUED FOR SPA

PROJECT NO: 219-0008-09 DATE: 2023-06-13

ORIGINAL SCALE: AS INDICATED IF THIS BAR IS NOT DRAWN TO SCALE, ADJUST YOUR PLOTTING SCALE.

DESIGNED BY: AH  
 DRAWN BY: SG  
 CHECKED BY: AH  
 DISCIPLINE: LANDSCAPE ARCHITECTURE

TITLE: DETAILS

SHEET NUMBER: L300

SHEET # OF SHEETS

DATE OF: 2023-11-04

Plan Number #16304