

APPROVED
By Geraldine Wildman at 7:01 pm, Nov 07, 2023

GERALDINE WILDMAN
ACTING MANAGER, DEVELOPMENT REVIEW, EAST PLANNING, REAL ESTATE & ECONOMIC DEVELOPMENT DEPARTMENT, CITY OF OTTAWA

NOTE:
THIS PLAN IS ISSUED FOR SITE PLAN CONTROL SUBMISSION ONLY. ADDITIONAL DETAILING AND SPECIFICATIONS ARE REQUIRED PRIOR TO TENDERING OR CONSTRUCTION.

NOTE:
TREES AT EASTSIDE BEYOND 4m LIMITING DISTANCE AGREEMENT -
TREES ARE PROPOSED AT EAST SIDE BEYOND 4m LIMITING DISTANCE AGREEMENT AIMING TOWARDS 40% CANOPY COVERAGE TARGET.
PROPOSED TREES ARE TO BE FURTHER REVIEWED WITH THE OWNERS FOR CONFIRMATION.
EXISTING TREES:
REFER TO THE ARBORIST / TREE CONSERVATION REPORT BY OTTAWA TREE REPORT FOR RETENTION, REMOVAL, CONSERVATION AND ROOT PRUNING OF THE EXISTING TREES.

- LEGEND**
- PROPERTY LINE
 - - - 4m LIMITING DISTANCE AGREEMENT
 - - - 4.5m GEOTECHNICAL OFFSET
 - - - 7.5m GEOTECHNICAL OFFSET
 - OVERHEAD WIRE
 - - - OVERHEAD WIRE 2m OFFSET
 - ROOT PRUNING
 - DECORATIVE DECORATIVE FENCE
 - CONCRETE SIDEWALK
 - PERMEABLE PAVERS
 - SOD
 - MULCH
 - PERENNIAL VARIETIES
 - DECORATIVE ROCKS
 - PICNIC TABLE
 - BENCH

LANDSCAPE / PLANTING PLAN
Scale: 1:125

GENERAL NOTES

- 1 All general site information and conditions compiled from existing plans, surveys and consultant's field notes. Report all discrepancies prior to any work. No responsibility is born by the Consultant for unknown subsurface conditions.
- 2 The location of the utilities is approximate only, and the exact location should be determined by consulting the municipal authorities and utility companies concerned. The Contractor shall prove the location of utilities and shall be responsible for adequate protection from damage.
- 3 All dimensions shown are to be verified on site prior to any construction. No deviations are to be made from the layouts as shown on this plan without prior consultation with the Landscape Architect and Owner.
- 4 Obtain approval of the Consultant(s) for granular base and layout of all pavement areas prior to construction.
- 5 Stake planting locations and receive approval of Landscape Architect, prior to excavation of any planting pits. No substitutions of plant material shall be made without prior approval of the Landscape Architect.
- 6 Where clay is encountered proper drainage must be ensured in tree/shrub pits, prior to planting. Have method approved by Landscape Architect.
- 7 Maintain positive surface runoff through the entire construction period.
- 8 Reinstall all areas and items damaged as a result of construction activities.

| | | |
|---|----------------------------------|------------|
| 6 | | |
| 5 | | |
| 4 | Requested revisions | 2023/10/05 |
| 3 | Issued for Site Plan Application | 2023/08/31 |
| 2 | Issued for Site Plan Application | 2023/06/30 |
| 1 | Issued for Site Plan Application | 2022/12/21 |

ARCHITECT: [Signature]

CONSULTANT: [Signature]

ASSOCIATION OF LANDSCAPE ARCHITECTS ONTARIO MEMBER

NORTH

CONSULTANT

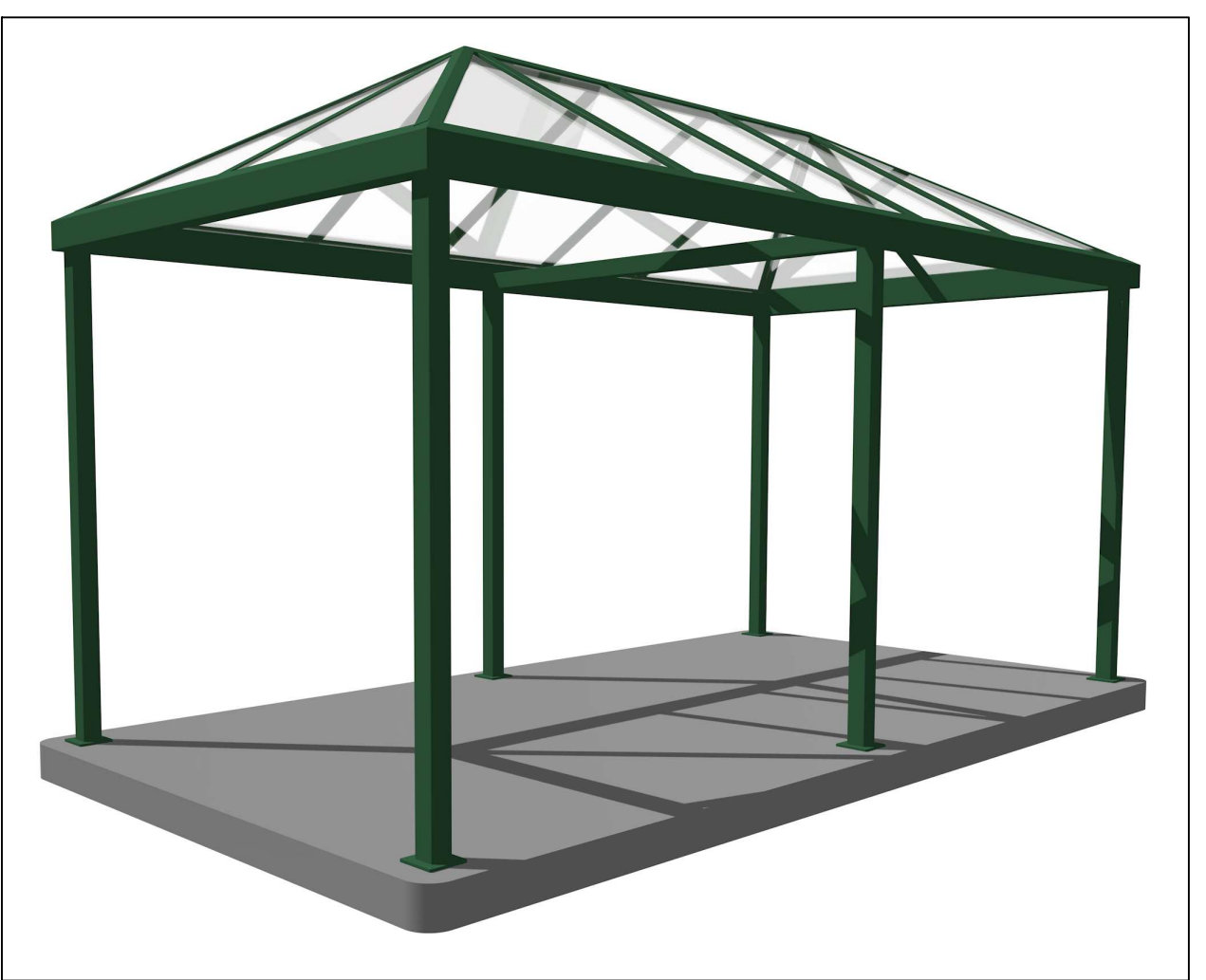
PROJECT / LOCATION
4-Storey Mixed Use Building
8743169 Canada Ltd
2663 Innes Road
Ottawa, Ontario

SHEET NAME:
LANDSCAPE / PLANTING PLAN

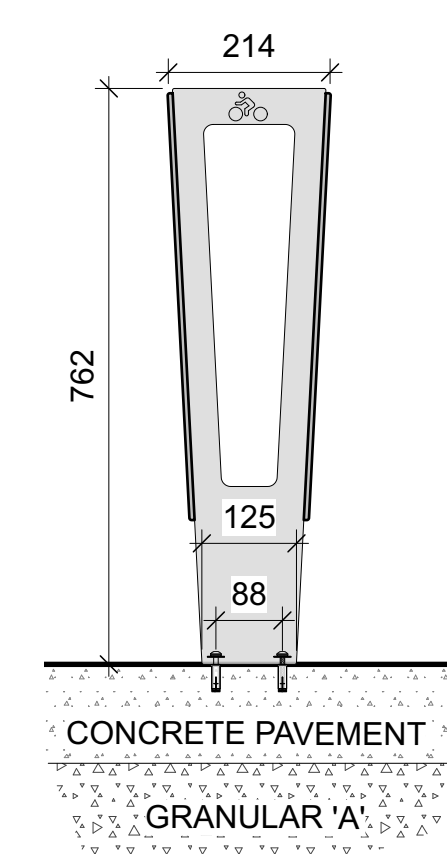
DATE: DESIGNED BY / CONDU PAR: A.A. / T.F.
DRAWN BY / DESINE PAR: T.F.
PROJECT NO: 22-1704

CHECKED BY / VERIFIE PAR: M.R.
SCALE/TITRE: [Blank]
SHEET NO: L-01

| ID | Qty | Botanical Name | Common Name | Sched. | Size | Remarks |
|---|-----|--|------------------------------------|--------------|--------------|---------|
| 19 TREES | | | | | | |
| Ab | 1 | Abies balsamea | Balsam Fir | 200 cm ht | WB, Staked | |
| Ag | 2 | Aesculus glabra | Ohio Buckeye | 50mm caliper | WB, Staked | |
| Gt | 1 | Gleditsia triacanthos inermis | Thornless Honeylocust | 60mm caliper | WB, Staked | |
| Gd | 1 | Gymnocladus dioicus | Kentucky Coffee Tree | 50mm caliper | Wire Basket | |
| MHG | 2 | Malus x 'Harvest Gold' | Harvest Gold Crabapple | 50mm caliper | WB, Staked | |
| PgYB | 2 | Picea glauca 'Yukon Blue' | Yukon Blue White Spruce | 175 cm ht | WB, Staked | |
| PgP | 6 | Picea Glauca Pendula | Weeping White Spruce | 175 cm ht | WB, Staked | |
| Qr | 1 | Quercus rubra | Northern Red Oak | 60mm caliper | WB, Staked | |
| SrIS | 3 | Syringa reticulata 'Ivory Silk' | Ivory Silk Tree Lilac | 50mm caliper | WB, Staked | |
| 95 SHRUBS | | | | | | |
| AcS | 3 | Amelanchier canadensis | Shadblow Serviceberry (Shrub form) | | 2 gallon pot | |
| Auu | 9 | Arctostaphylos uva-ursi | Bearberry, Kinnikinnick | | Potted | |
| DI | 11 | Diervilla lonicera | Dwarf Bush-honeysuckle | | 2 gallon pot | |
| JsBA | 34 | Juniperus scopulorum 'Blue Arrow' | Blue Arrow Juniper | 150 cm ht | Potted | |
| MaP | 2 | Morus alba 'Pendula' | Weeping Mulberry (Fruitless) | 40cm stem | Potted | |
| PoDM | 11 | Physocarpus opulifolius 'Donna May' | Little Devil Ninebark | | 2 gallon pot | |
| PpG | 5 | Picea pungens 'Glauca Globosa' | Globe Blue Spruce | 100cm ht | Potted | |
| ToH | 20 | Thuja occidentalis 'Holmstrup' | Holmstrup Eastern Arborvitae | 150 cm ht. | Potted | |
| 75 ORNAMENTAL GRASSES | | | | | | |
| CaKF | 21 | Calamagrostis x acutiflora 'Karl Foerster' | Karl Foerster Feather Reed Grass | 3 year | 1 gallon pot | |
| Pv | 20 | Panicum virgatum | Switch Grass | | 1 gallon pot | |
| Ss | 34 | Schizachyrium scoparium (Andropogon) | Little Bluestem | | 1 gallon pot | |
| 61 PERENNIALS | | | | | | |
| PvA | 61 | Perennial Mix A | Sun-Shadow varieties | 150mm pot | | |
| PvA - Coneflower, Daylily, Blazing Star, and Rudbeckia - minimum 50% native varieties | | | | | | |



1 Bike Rack Shelter
L-01. Scale: NTS



2 EP5950 Bike Rack Installation in Concrete
L-01. Scale: NTS
PROVIDE SHOP DRAWINGS FOR ANCHORS AND CONCRETE PAD

