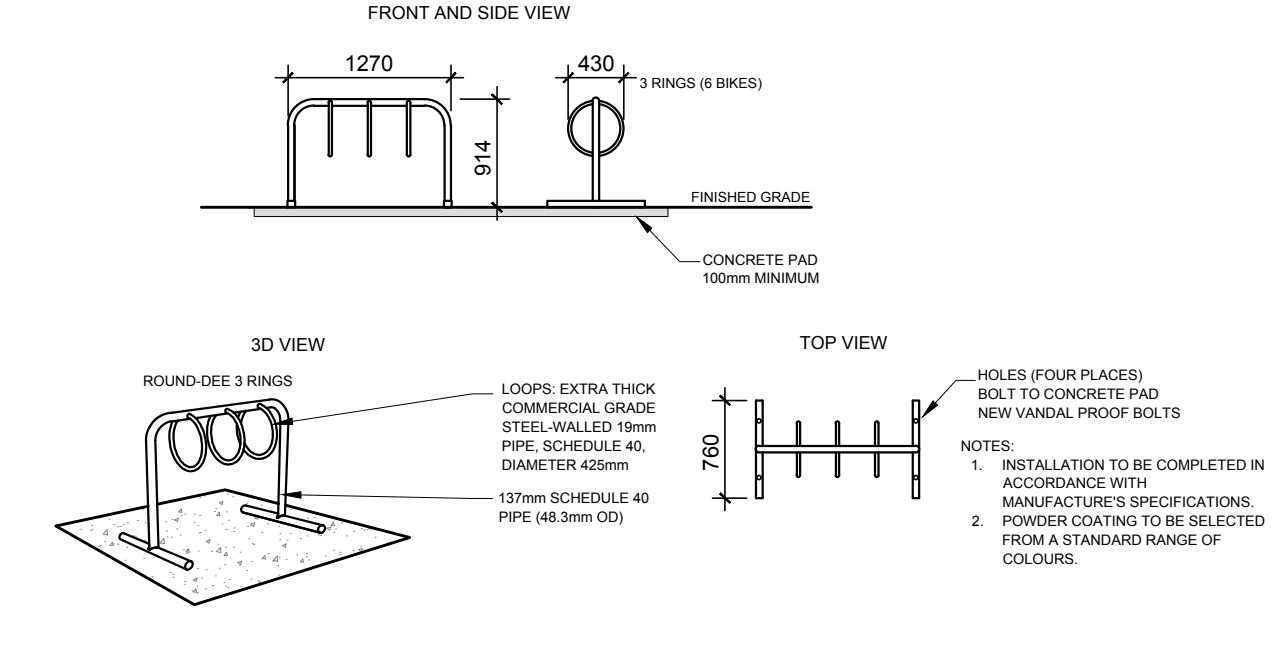


GENERAL NOTES:

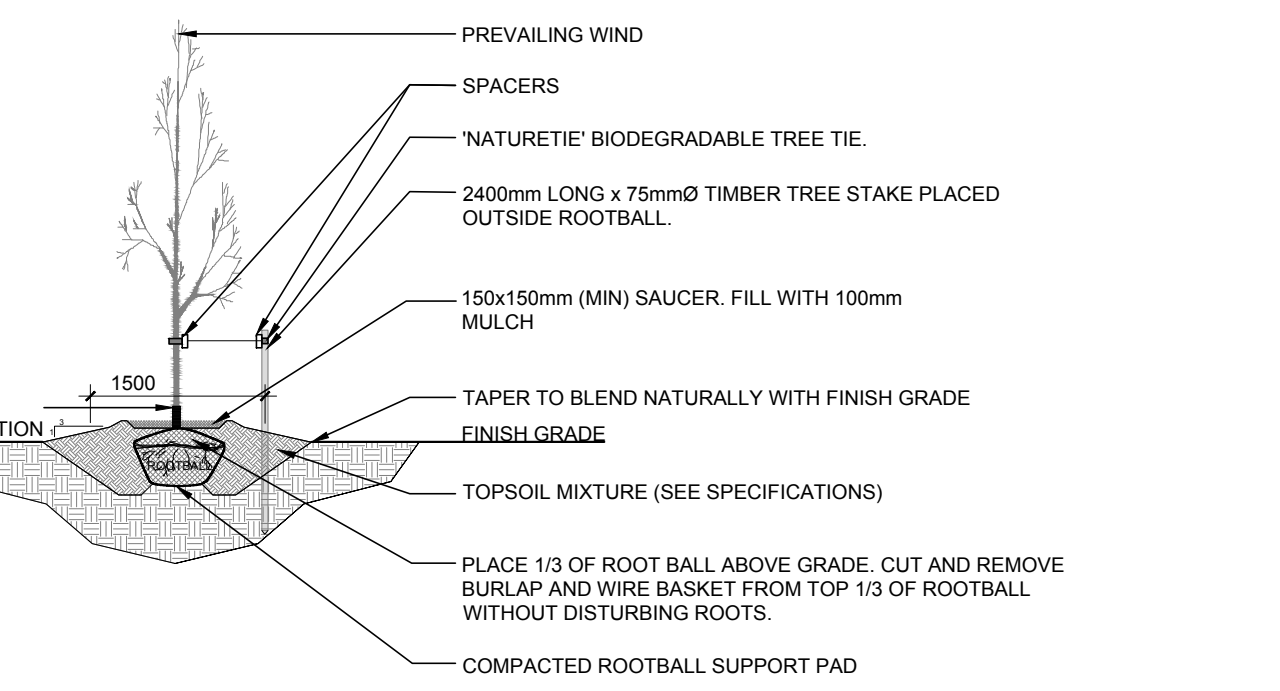
- IT IS THE RESPONSIBILITY OF THE APPROPRIATE CONTRACTOR OR OFFICIAL TO REPORT ANY ERRORS, OMISSIONS OR DISCREPANCIES ON THIS PLAN WITH ACTUAL SITE CONDITIONS TO THE LANDSCAPE ARCHITECT BEFORE PROCEEDING WITH CONSTRUCTION.
- THE CONTRACTOR IS TO NOTIFY ALL UTILITY COMPANIES AND AUTHORITIES PRIOR TO ANY EXCAVATION AND ASCERTAIN LOCATIONS OF UNDERGROUND SERVICES.
- THE CONTRACTOR IS TO REINSTATE ALL AREAS AND ITEMS DAMAGED AS A RESULT OF CONSTRUCTION ACTIVITY.
- THE CONTRACTOR IS TO COMPLY WITH ALL PERTINENT CODES AND BY-LAWS.
- THE CONTRACTOR IS TO MAINTAIN A POSITIVE SURFACE RUN-OFF THROUGHOUT THE ENTIRE CONSTRUCTION PERIOD.
- THE LANDSCAPE ARCHITECT IS NOT RESPONSIBLE FOR SUBSURFACE CONDITIONS.
- THE CONTRACTOR IS TO IDENTIFY ALL EXISTING TREES TO REMAIN ON SITE WITH THE LANDSCAPE ARCHITECT PRIOR TO CONSTRUCTION.
- THE CONTRACTOR IS TO STAKE THE PROPOSED LOCATION OF ALL PLANT MATERIAL IN CONJUNCTION WITH THE LANDSCAPE ARCHITECT PRIOR TO EXCAVATION.
- MINIMUM DISTANCES FOR SELECTED DECIDUOUS TREES ARE AS FOLLOWS:
 - BUILDING FOUNDATIONS - 7.5M
 - SIDEWALKS - 1.5M
 - PUBLIC STREETS - 2.5M
 - UNDERGROUND INFRASTRUCTURE - 2.0M
- ALL TREES WITHIN 1M OF UNDERGROUND UTILITY TRENCHES ARE TO BE EXCAVATED BY HAND.
- REMOVE ALL PROTECTIVE WRAPPING FROM TREE TRUNKS AFTER INSTALLATION.
- STAKING OF TREES SHALL ONLY BE PERFORMED IF NECESSARY.
- ENSURE THAT MULCH IS PULLED BACK A MINIMUM DISTANCE OF 75MM FROM BASE OF TREE TRUNK.

EXISTING TREE LIST

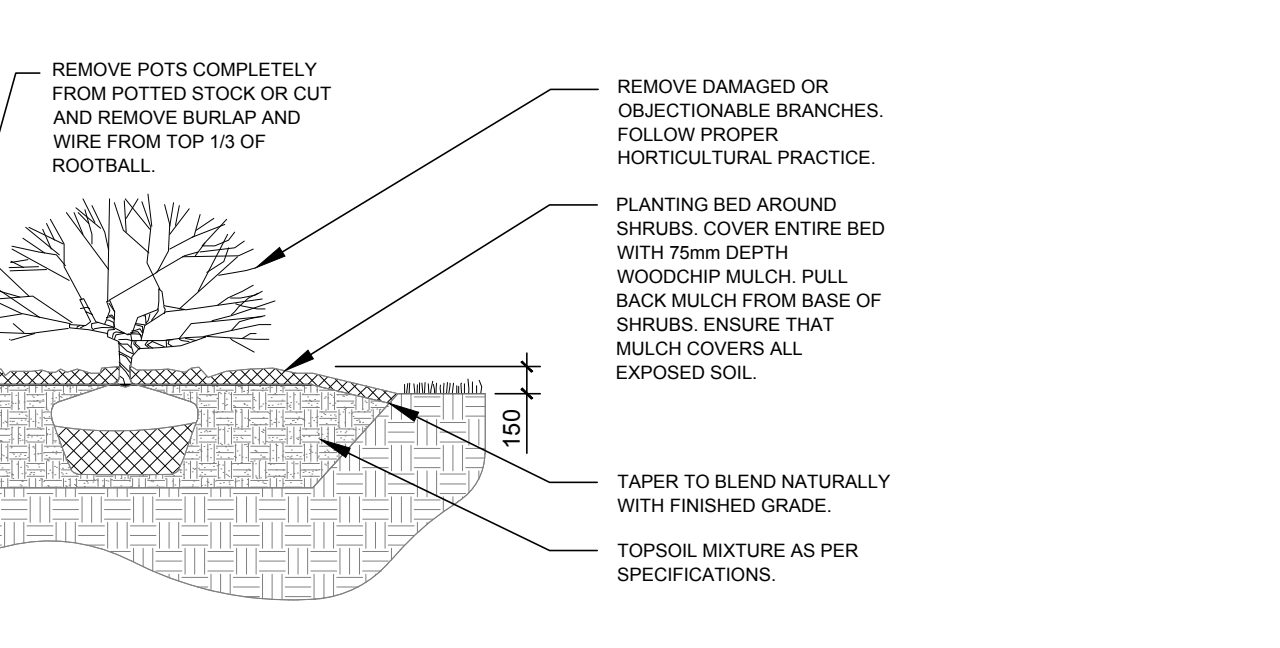
| Tree # | COMMON NAME | BOTANICAL NAME | DBH (mm) | CRZ (m) | Ownership | Condition | Recommended Action |
|--------|------------------|---------------------------|------------|---------|------------------|---------------|--------------------|
| 1 | Norway Maple | <i>Acer platanoides</i> | 340 | 3.4 | 1545 Merivale RD | Fair tar spot | To remain |
| 2 | Norway Maple | <i>Acer platanoides</i> | 380 | 3.8 | 1547 Merivale RD | Fair tar spot | To remain |
| 3 | Siberian Elm | <i>Ulmus pumila</i> | 2x200 | 2.0 | 1545 Merivale RD | Good | To remain |
| 4 | Siberian Elm | <i>Ulmus pumila</i> | 2x170 | 1.7 | 1545 Merivale RD | Good | To remain |
| 5 | Manitoba Maple | <i>Acer negundo</i> | 400 | 4.0 | 1547 Merivale RD | Dead | To remain |
| 6 | Siberian Elm | <i>Ulmus pumila</i> | 310 | 3.1 | 1547 Merivale RD | Good | To remain |
| 7 | Common Buckthorn | <i>Rhamnus cathartica</i> | 100 | 1.0 | 1545 Merivale RD | Good | To remain |
| 8 | Siberian Elm | <i>Ulmus pumila</i> | 330 | 3.3 | 1545 Merivale RD | Good | To be removed |
| 9 | Manitoba Maple | <i>Acer negundo</i> | 5x150-350 | 3.5 | 1545 Merivale RD | Poor | To be removed |
| 10 | Common Buckthorn | <i>Rhamnus cathartica</i> | 2x150 | 1.5 | 1545 Merivale RD | Good | To be removed |
| 11 | Common Buckthorn | <i>Rhamnus cathartica</i> | 100 | 1.0 | 1545 Merivale RD | Dead | To be removed |
| 12 | American Elm | <i>Ulmus americana</i> | 260 | 2.6 | 1545 Merivale RD | Fair | To be removed |
| 13 | Norway Maple | <i>Acer platanoides</i> | 140 | 1.4 | 1547 Merivale RD | Good | To be removed |
| 14 | Manitoba Maple | <i>Acer negundo</i> | 2x220 | 2.2 | 1545 Merivale RD | Good | To be removed |
| 15 | Common Buckthorn | <i>Rhamnus cathartica</i> | 2x200 | 2.0 | 1545 Merivale RD | Fair | To be removed |
| 16 | Common Buckthorn | <i>Rhamnus cathartica</i> | 100 | 1.0 | 1545 Merivale RD | Good | To be removed |
| 17 | Siberian Elm | <i>Ulmus pumila</i> | 160 | 1.6 | 1545 Merivale RD | Fair | To be removed |
| 18 | Manitoba Maple | <i>Acer negundo</i> | 10x100-200 | 2.0 | 1545 Merivale RD | Poor | To be removed |



3 PROPOSED THREE (3) RING BIKE RACK
SCALE: NTS

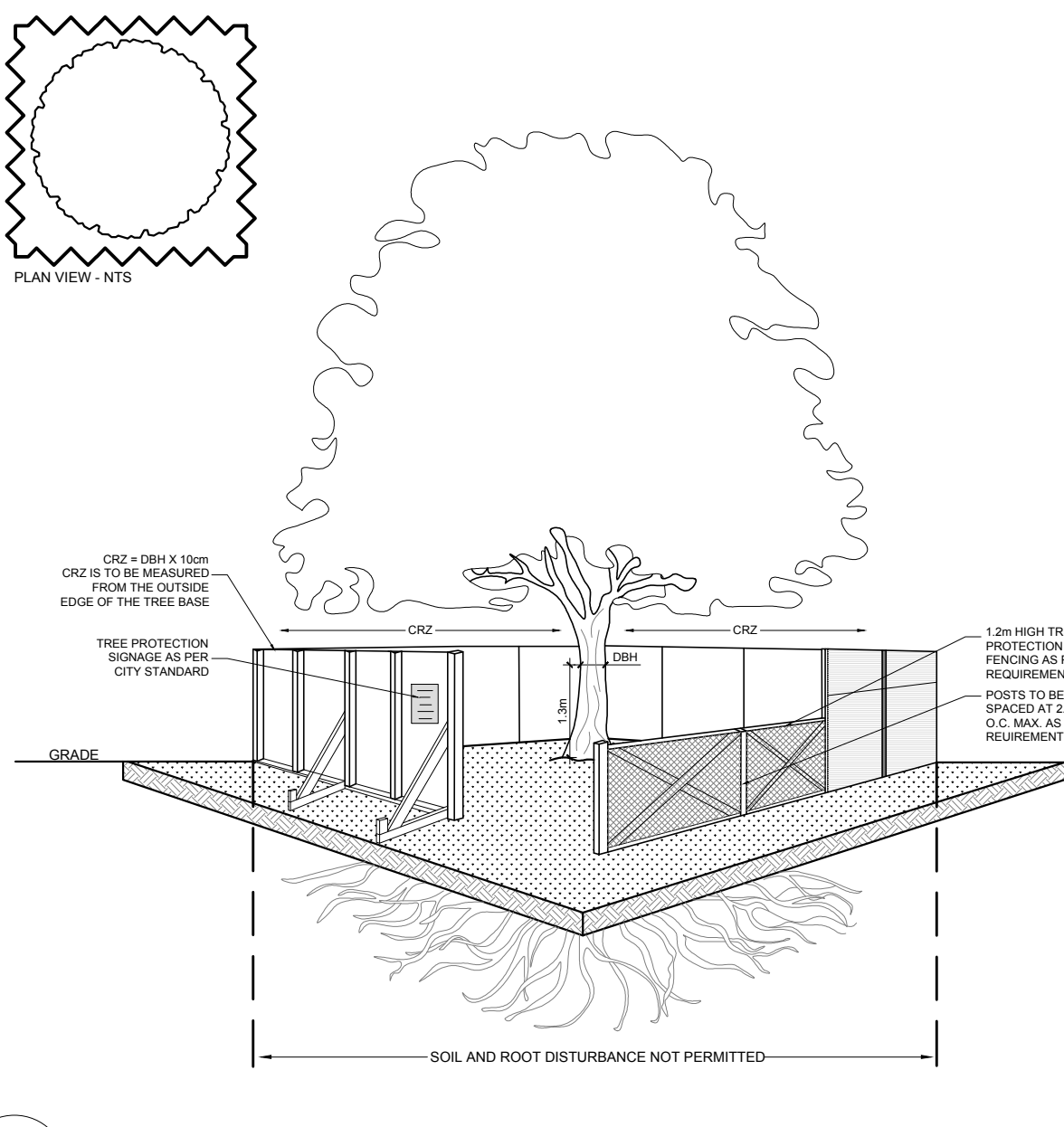


4 DECIDUOUS TREE PLANTING
SCALE: NTS



5 SHRUB / PERENNIAL / ORNAMENTAL GRASS PLANTING
SCALE: NTS

1 TREE CONSERVATION REPORT & LANDSCAPE PLAN
SCALE 1:300



2 TREE PROTECTION FENCE
SCALE: NTS

PROPOSED PLANT LIST

| KEY | Qty | BOTANICAL NAME | COMMON NAME | SIZE | CONDITION | REMARKS |
|--|-----|---|---------------------------|------------|-----------|-------------------|
| TREES | | | | | | |
| AM | 3 | <i>Acer x freemanii</i> 'Armstrong' | Armstrong Maple | 60mm cal. | B&B | |
| FM | 1 | <i>Acer x freemanii</i> | Freeman's Maple | 60mm cal. | B&B | |
| HL | 3 | <i>Gleditsia triacanthos</i> 'Draves' | Streetkeeper Honey Locust | 60mm cal. | B&B | |
| JL | 4 | <i>Syringa reticulata</i> | Japanese Tree Lilac | 60mm cal. | B&B | Single leader |
| SHRUBS | | | | | | |
| JU | 10 | <i>Juniperus virginiana</i> | Eastern Red Cedar | 1800mm ht. | Potted | Space 450mm o.c. |
| BB | 31 | <i>Eucornythus alatus</i> 'Compactus' | Dwarf Burning Bush | 600mm ht. | Potted | Space 1000mm o.c. |
| RR | 14 | <i>Rosa rugosa</i> | Rugosa Rose | 600mm ht. | Potted | Space 1000mm o.c. |
| SF | 22 | <i>Sorbaria sorbifolia</i> 'Sem' | Sem False Spirea | 600mm ht. | Potted | Space 1000mm o.c. |
| ORNAMENTAL GRASSES & PERENNIALS | | | | | | |
| DL | 20 | <i>Hemerocallis</i> 'Stella D'Oro' | Stella D'Oro Daylily | 100mm pot | Potted | Space 400mm o.c. |
| KF | 63 | <i>Calamagrostis x acutiflora</i> 'Karl Foerster' | Feather Reed Grass | 250mm pot | Potted | Space 800mm o.c. |
| PG | 50 | <i>Miscanthus sinensis</i> 'Strictus' | Porcupine Grass | 250mm pot | Potted | Space 400mm o.c. |

CLIENT

1545A MERIVALE INC.

CONSULTANTS

ARCHITECTS:
(L+D) LALANDE + DOYLE ARCHITECTS INC.
Tel: 613.233.3900
Fax: 613.233.1008
100 Victoria Ave
Ottawa, Ontario K1V 0T2

CIVIL ENGINEERS:
NOVATECH
ENGINEERING CONSULTANTS LTD.
ENGINEERS & PLANNERS

LEGEND

- EXISTING TREE TO REMAIN
- EXISTING TREE TO BE REMOVED
- GROUP OF EXISTING TREES TO BE REMOVED
- PROPOSED SHRUBS / PERENNIALS / ORNAMENTAL GRASSES
- PROPOSED DECIDUOUS TREE
- PROPOSED RIVERSTONE MULCH
- PROPOSED SOD
- PROPOSED PRECAST CONCRETE PAVERS
- TREE PROTECTION FENCE

| No. | Issue | Date | ML | JL | DR | CK |
|-----|------------------------------|------------|----|----|----|----|
| 2 | REVISED PER CITY COMMENTS | 05/19/2023 | | | | |
| 1 | ISSUED FOR SITE PLAN CONTROL | 12/19/2022 | | | | |

JAMES B. LENNOX & ASSOCIATES INC.
LANDSCAPE ARCHITECTS
3333 CARLING AVE. OTTAWA, ONTARIO K2H 5A8
Tel: (613) 722-5168 Fax: (866) 343-3942

PROJECT

MERIVALE MEDICAL IMAGING CLINIC
1545 MERIVALE ROAD, OTTAWA ON

DRAWING

TREE CONSERVATION REPORT & LANDSCAPE PLAN

STAMP

ASSOCIATION OF LANDSCAPE ARCHITECTS OF ONTARIO
MEMBER
JAMES B. LENNOX

AS SHOWN
START DATE
OCTOBER 2022
PROJECT NO.
23MIS2305

PROJECT NORTH

DRAWING NO.

L.1

PLOT SIZE ARCH-D