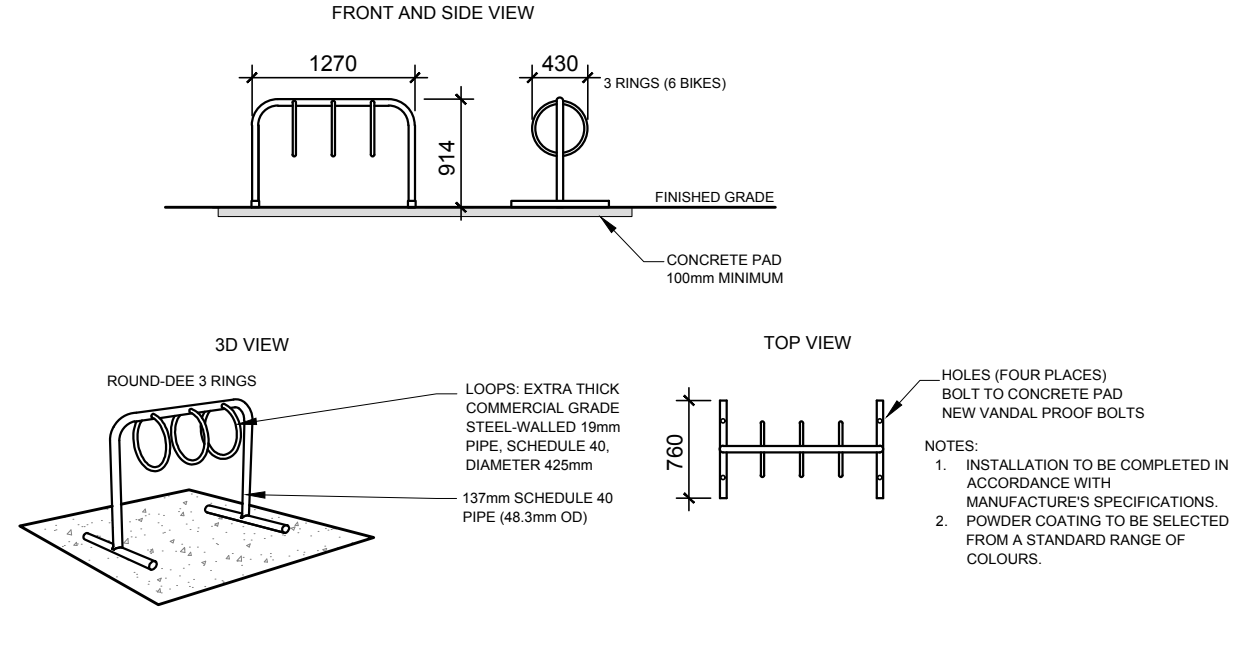


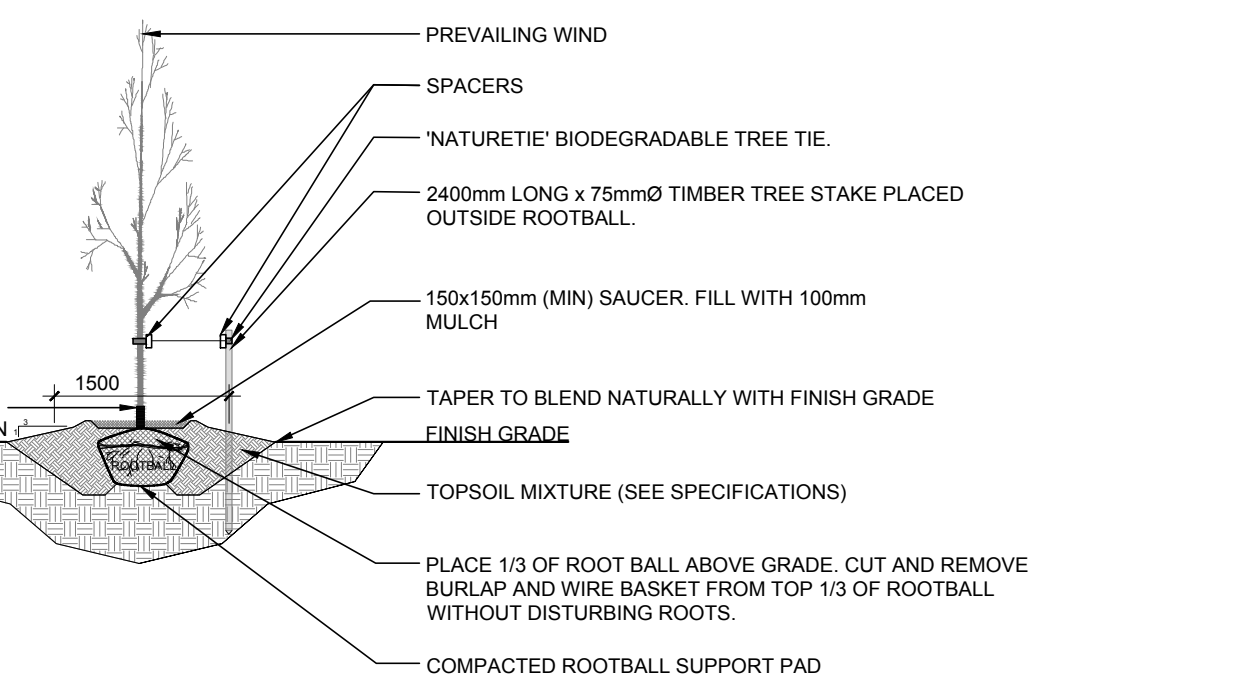
- GENERAL NOTES:**
- IT IS THE RESPONSIBILITY OF THE APPROPRIATE CONTRACTOR OR OFFICIAL TO REPORT ANY ERRORS, OMISSIONS OR DISCREPANCIES ON THIS PLAN WITH ACTUAL SITE CONDITIONS TO THE LANDSCAPE ARCHITECT BEFORE PROCEEDING WITH CONSTRUCTION.
 - THE CONTRACTOR IS TO NOTIFY ALL UTILITY COMPANIES AND AUTHORITIES PRIOR TO ANY EXCAVATION AND ASCERTAIN LOCATIONS OF UNDERGROUND SERVICES.
 - THE CONTRACTOR IS TO REINSTATE ALL AREAS AND ITEMS DAMAGED AS A RESULT OF CONSTRUCTION ACTIVITY.
 - THE CONTRACTOR IS TO COMPLY WITH ALL PERTINENT CODES AND BY-LAWS.
 - THE CONTRACTOR IS TO MAINTAIN A POSITIVE SURFACE RUN-OFF THROUGHOUT THE ENTIRE CONSTRUCTION PERIOD.
 - THE LANDSCAPE ARCHITECT IS NOT RESPONSIBLE FOR SUBSURFACE CONDITIONS.
 - THE CONTRACTOR IS TO IDENTIFY ALL EXISTING TREES TO REMAIN ON SITE WITH THE LANDSCAPE ARCHITECT PRIOR TO CONSTRUCTION.
 - THE CONTRACTOR IS TO STAKE THE PROPOSED LOCATION OF ALL PLANT MATERIAL IN CONJUNCTION WITH THE LANDSCAPE ARCHITECT PRIOR TO EXCAVATION.
 - MINIMUM DISTANCES FOR SELECTED DECIDUOUS TREES ARE AS FOLLOWS:
 - BUILDING FOUNDATIONS - 7.5M
 - SIDEWALKS - 1.5M
 - PUBLIC STREETS - 2.5M
 - UNDERGROUND INFRASTRUCTURE - 2.0M
 - ALL TREES WITHIN 1M OF UNDERGROUND UTILITY TRENCHES ARE TO BE EXCAVATED BY HAND.
 - REMOVE ALL PROTECTIVE WRAPPING FROM TREE TRUNKS AFTER INSTALLATION.
 - STAKING OF TREES SHALL ONLY BE PERFORMED IF NECESSARY.
 - ENSURE THAT MULCH IS PULLED BACK A MINIMUM DISTANCE OF 75MM FROM BASE OF TREE TRUNK.

EXISTING TREE LIST

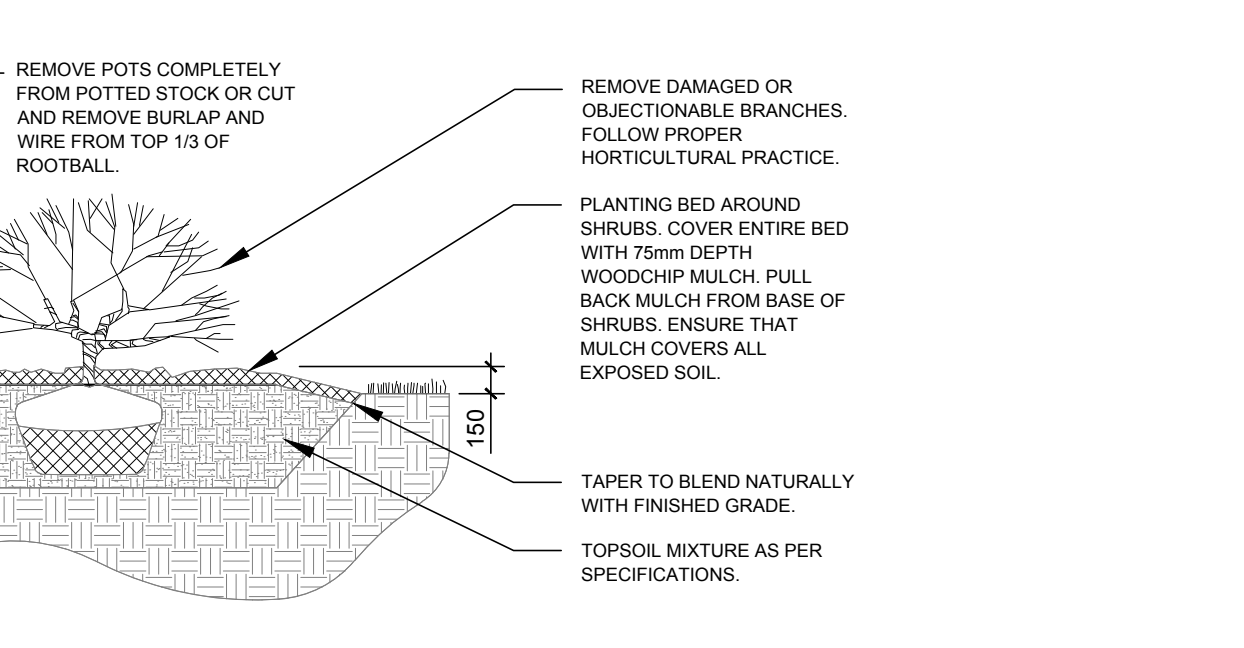
Tree #	COMMON NAME	BOTANICAL NAME	DBH (mm)	CRZ (m)	Ownership	Condition	Recommended Action
1	Norway Maple	<i>Acer platanoides</i>	340	3.4	1545 Merivale RD	Fair tar spot	To remain
2	Norway Maple	<i>Acer platanoides</i>	380	3.8	1547 Merivale RD	Fair tar spot	To remain
3	Siberian Elm	<i>Ulmus pumila</i>	2x200	2.0	1545 Merivale RD	Good	To remain
4	Siberian Elm	<i>Ulmus pumila</i>	2x170	1.7	1545 Merivale RD	Good	To remain
5	Manitoba Maple	<i>Acer negundo</i>	400	4.0	1547 Merivale RD	Dead	To remain
6	Siberian Elm	<i>Ulmus pumila</i>	310	3.1	1547 Merivale RD	Good	To remain
7	Common Buckthorn	<i>Rhamnus cathartica</i>	100	1.0	1545 Merivale RD	Good	To remain
8	Siberian Elm	<i>Ulmus pumila</i>	330	3.3	1545 Merivale RD	Good	To be removed
9	Manitoba Maple	<i>Acer negundo</i>	5x150-350	5.5	1545 Merivale RD	Poor	To be removed
10	Common Buckthorn	<i>Rhamnus cathartica</i>	2x150	1.5	1545 Merivale RD	Good	To be removed
11	Common Buckthorn	<i>Rhamnus cathartica</i>	100	1	1545 Merivale RD	Dead	To be removed
12	American Elm	<i>Ulmus americana</i>	280	2.6	1545 Merivale RD	Fair	To be removed
13	Norway Maple	<i>Acer platanoides</i>	140	1.4	1545 Merivale RD	Good	To be removed
14	Manitoba Maple	<i>Acer negundo</i>	2x220	2.2	1545 Merivale RD	Good	To be removed
15	Common Buckthorn	<i>Rhamnus cathartica</i>	2x200	2.0	1545 Merivale RD	Fair	To be removed
16	Common Buckthorn	<i>Rhamnus cathartica</i>	100	1.0	1545 Merivale RD	Good	To be removed
17	Siberian Elm	<i>Ulmus pumila</i>	160	1.6	1545 Merivale RD	Fair	To be removed
18	Manitoba Maple	<i>Acer negundo</i>	10x100-200	2.0	1545 Merivale RD	Poor	To be removed



3 PROPOSED THREE (3) RING BIKE RACK
SCALE: NTS



4 DECIDUOUS TREE PLANTING
SCALE: NTS



5 SHRUB / PERENNIAL / ORNAMENTAL GRASS PLANTING
SCALE: NTS

CLIENT

1545A MERIVALE INC.

CONSULTANTS

ARCHITECTS:

(L+D)

LALANDE + DOYLE ARCHITECTS INC.
413-233-3960
413-233-1008
199 Victoria Ave
Ottawa, Ontario K1V 0T2

CIVIL ENGINEERS:

NOVATECH

ENGINEERING CONSULTANTS LTD.
ENGINEERS & PLANNERS

LEGEND

- EXISTING TREE TO REMAIN
- EXISTING TREE TO BE REMOVED
- GROUP OF EXISTING TREES TO BE REMOVED
- PROPOSED SHRUBS / PERENNIALS / ORNAMENTAL GRASSES
- PROPOSED DECIDUOUS TREE
- PROPOSED RIVERSTONE MULCH
- PROPOSED SOD
- PROPOSED PRECAST CONCRETE PAVERS
- TREE PROTECTION FENCE

No.	Issue	Date	DR	CK
3	REVISED PER CITY COMMENTS	06/20/2023	ML	JL
2	REVISED PER CITY COMMENTS	05/19/2023	ML	JL
1	ISSUED FOR SITE PLAN CONTROL	12/19/2022	ML	JL

JAMES B. LENNOX & ASSOCIATES INC.

LANDSCAPE ARCHITECTS

3332 CARLING AVE. OTTAWA, ONTARIO K2J 1S8
Tel: (613) 722-5168 Fax: (866) 343-3942

PROJECT

MERIVALE MEDICAL IMAGING CLINIC

1545 MERIVALE ROAD, OTTAWA ON

DRAWING

TREE CONSERVATION REPORT & LANDSCAPE PLAN

STAMP

ASSOCIATION OF LANDSCAPE ARCHITECTS OF ONTARIO

SCALE

AS SHOWN

START DATE

OCTOBER 2022

PROJECT NO.

23MIS2305

PROJECT NORTH

DRAWING NO.

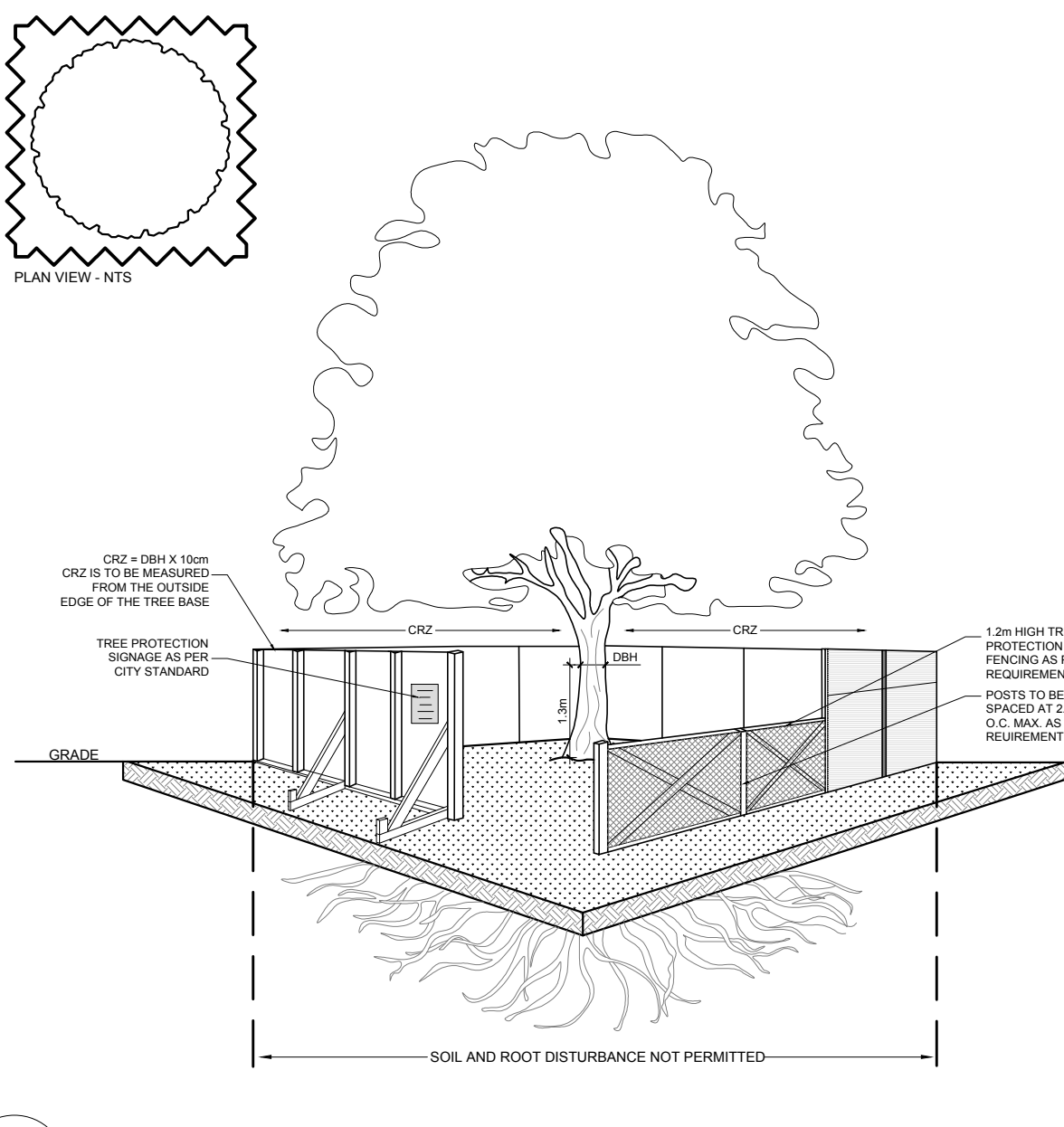
L.1

PLOT SIZE ARCH-D

PROPOSED PLANT LIST

KEY	Qty.	BOTANICAL NAME	COMMON NAME	SIZE	CONDITION	REMARKS
TREES						
AM	1	<i>Acer x freemanii</i> 'Armstrong'	Armstrong Maple	60mm cal.	B&B	
FM	1	<i>Acer x freemanii</i>	Freeman's Maple	60mm cal.	B&B	
HB	1	<i>Celtis occidentalis</i>	Hackberry	60mm cal.	B&B	
HL	3	<i>Gleditsia triacanthos</i> 'Draves'	Streetkeeper Honey Locust	60mm cal.	B&B	Single leader
JL	3	<i>Syringa reticulata</i>	Japanese Tree Lilac	60mm cal.	B&B	
PE	1	<i>Ulmus wilsoniana</i> 'Prospector'	Prospector Elm	60mm cal.	B&B	
SHRUBS						
JU	10	<i>Juniperus virginiana</i>	Eastern Red Cedar	1800mm ht.	Potted	Space 450mm o.c.
BB	31	<i>Euroynymus alatus</i> 'Compactus'	Dwarf Burning Bush	600mm ht.	Potted	Space 1000mm o.c.
RR	14	<i>Rosa rugosa</i>	Rugosa Rose	600mm ht.	Potted	Space 1000mm o.c.
SF	22	<i>Sorbaria sorbifolia</i> 'Sem'	Sem False Spirea	600mm ht.	Potted	Space 1000mm o.c.
ORNAMENTAL GRASSES & PERENNIALS						
DL	20	<i>Hemerocallis</i> 'Stella D'Oro'	Stella D'Oro Daylily	100mm pot	Potted	Space 400mm o.c.
KF	62	<i>Calamagrostis x acutiflora</i> 'Karl Foerster'	Feather Reed Grass	250mm pot	Potted	Space 800mm o.c.
PG	50	<i>Miscanthus sinensis</i> 'Strictus'	Porcupine Grass	250mm pot	Potted	Space 400mm o.c.

1 TREE CONSERVATION REPORT & LANDSCAPE PLAN
SCALE 1:300



2 TREE PROTECTION FENCE
SCALE: NTS

- TREE PROTECTION REQUIREMENTS:**
- PROVIDE TO ANY WORK ACTIVITY WITHIN THE CRITICAL ROOT ZONE (CRZ) OF A TREE. TREE PROTECTION FENCING MUST BE INSTALLED SURROUNDING THE CRITICAL ROOT ZONE AND REMAIN IN PLACE UNTIL THE WORK IS COMPLETE.
 - DO NOT PLACE ANY MATERIAL OR EQUIPMENT INCLUDING OUTHOUSES;
 - DO NOT ATTACH ANY SIGNS, NOTICES OR POSTERS TO ANY TREE;
 - DO NOT RAISE OR LOWER THE EXISTING GRADE; TUNNELS OR BORE WHEN DIGGING;
 - DO NOT DAMAGE THE ROOT SYSTEM, TRUNK, OR BRANCHES OR ANY TREE;
 - ENSURE THAT EXHAUST FUMES FROM ALL EQUIPMENT ARE NOT DIRECTED TOWARD ANY TREE CANOPY;
 - DO NOT EXTEND HARD SURFACE OR SIGNIFICANTLY CHANGE LANDSCAPING.
 - UNLESS PLANS ARE APPROVED BY CITY FORESTRY STAFF FOR WORK WITHIN THE CRZ:
 - DO NOT RAISE OR LOWER THE EXISTING GRADE;
 - DO NOT DAMAGE THE ROOT SYSTEM, TRUNK, OR BRANCHES OR ANY TREE;
 - ENSURE THAT EXHAUST FUMES FROM ALL EQUIPMENT ARE NOT DIRECTED TOWARD ANY TREE CANOPY;
 - DO NOT EXTEND HARD SURFACE OR SIGNIFICANTLY CHANGE LANDSCAPING.
 - TREE PROTECTION FENCING MUST BE AT LEAST 1.2m IN HEIGHT AND BE CONSTRUCTED OF ROAD OR FRAMED MATERIALS (E.G. MODULOC® STEEL PLYWOOD HOARDING, OR SNOW FENCE ON A 2"x4" WOOD FRAME) WITH POSTS 2.4m APART. SUCH THAT THE FENCE LOCATION CANNOT BE ALTERED. ALL SUPPORTS AND BRACING MUST BE PLACED OUTSIDE OF THE CRZ, AND INSTALLATION MUST MINIMIZE DAMAGE TO EXISTING ROOTS. (SEE DETAILS)
 - THE LOCATION OF THE TREE PROTECTION FENCING MUST BE DETERMINED BY AN ARBORIST AND DETAILED ON ANY ASSOCIATED PLANS FOR THE SITE (E.G. TREE CONSERVATION REPORT, TREE DISCLOSURE REPORT, ETC.) THE PLAN AND CONSTRUCTED FENCING MUST BE APPROVED BY CITY FORESTRY STAFF PRIOR TO THE COMMENCEMENT OF WORK.
 - POSTS TO BE SPACED AT 2.4m O.C. MAX. AS PER REQUIREMENT #1.
 - IF THE FENCED TREE PROTECTION AREA MUST BE REDUCED TO FACILITATE CONSTRUCTION, MITIGATION MEASURES MUST BE PRESCRIBED BY AN ARBORIST AND APPROVED BY CITY FORESTRY STAFF. THESE MAY INCLUDE THE PLACEMENT OF PLYWOOD, WOOD CHIPS OR STEEL PLATING OVER THE ROOTS FOR PROTECTION OR THE PROPER PRUNING AND CARE OF ROOTS WHERE ENCOUNTERED.
- BY-LAWS:**
- ALL CITY OWNED TREES ARE PROTECTED UNDER THE MUNICIPAL TREES AND NATURAL AREAS PROTECTION BY-LAW (2008-07). WITHIN THE URBAN AREA.
- PRIVATELY OWNED TREES GREATER THAN 50cm IN DIAMETER ON LOTS 1 HECTARE IN SIZE OR LESS, AND TREES GREATER THAN 15cm IN DIAMETER ON LOTS GREATER THAN 1 HECTARE, ARE PROTECTED UNDER THE URBAN TREE CONSERVATION BY-LAW (2008-2009).

3 TREE CONSERVATION REPORT & LANDSCAPE PLAN
SCALE: NTS