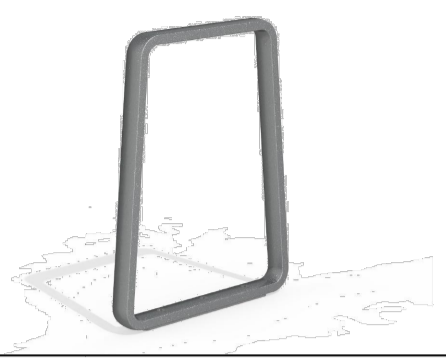




**MBR-2300-00001** **ICONIC**



**Sustainability Facts**

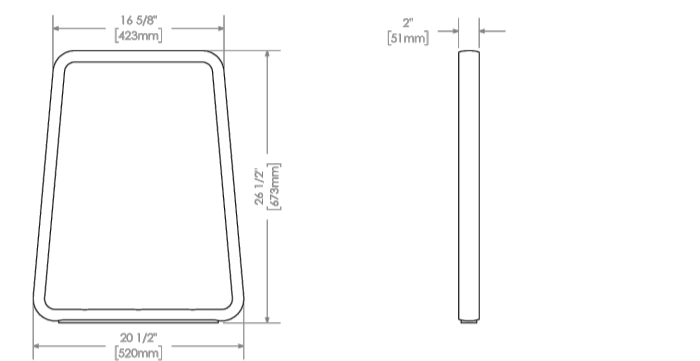
Unit Size	One (1) MBR-2300-00001 Bike Rack
Carbon Footprint (GWP)	138 kg CO2-Eq
Total energy use (TPE)	2460 MJ-Eq
Water use (WUP)	1.9 m3 water
Material recyclability	100%

**LEED v4.1 Credits**

Type III Environmental Product Declaration  
Material Inventory  
Low VOC Finishes  
Free of Red List Substances

DESCRIPTION: 2300 Series - Iconic Bike Rack: Coat Aluminum, Surface Mount, 2 Bike Configuration  
FINISH: The Maglin Powdercoat System provides a durable finish on all aluminum castings.  
INSTALLATION: The bike rack is delivered in parts. Reference INSTALL\_MBR-2300-00001 PDF for more information.  
TO SPECIFY: Select MBR-2300-00001  
Options:  
- Powdercoat Color

HEIGHT: 26 1/2" (673mm) LENGTH: 20 1/2" (520mm) WIDTH: 2" (51mm) WEIGHT: 18 lbs (8kg)



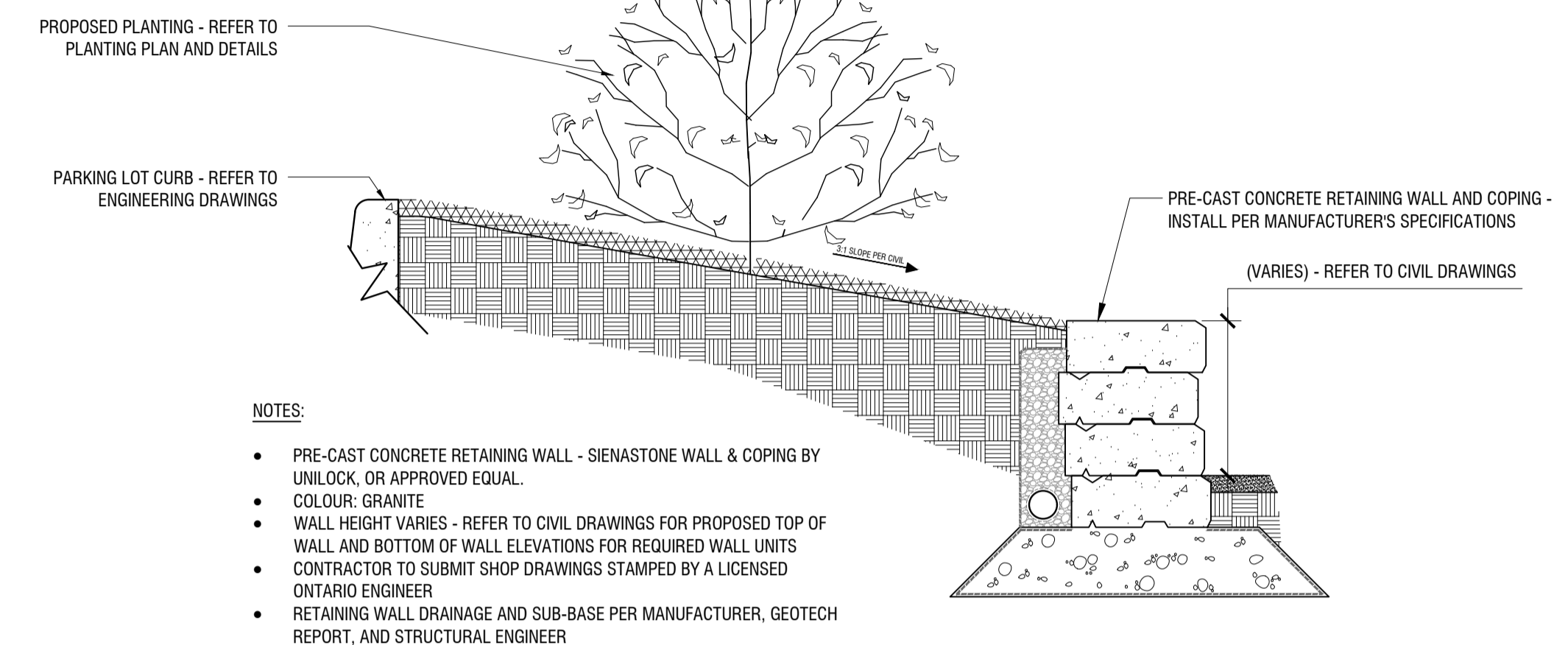
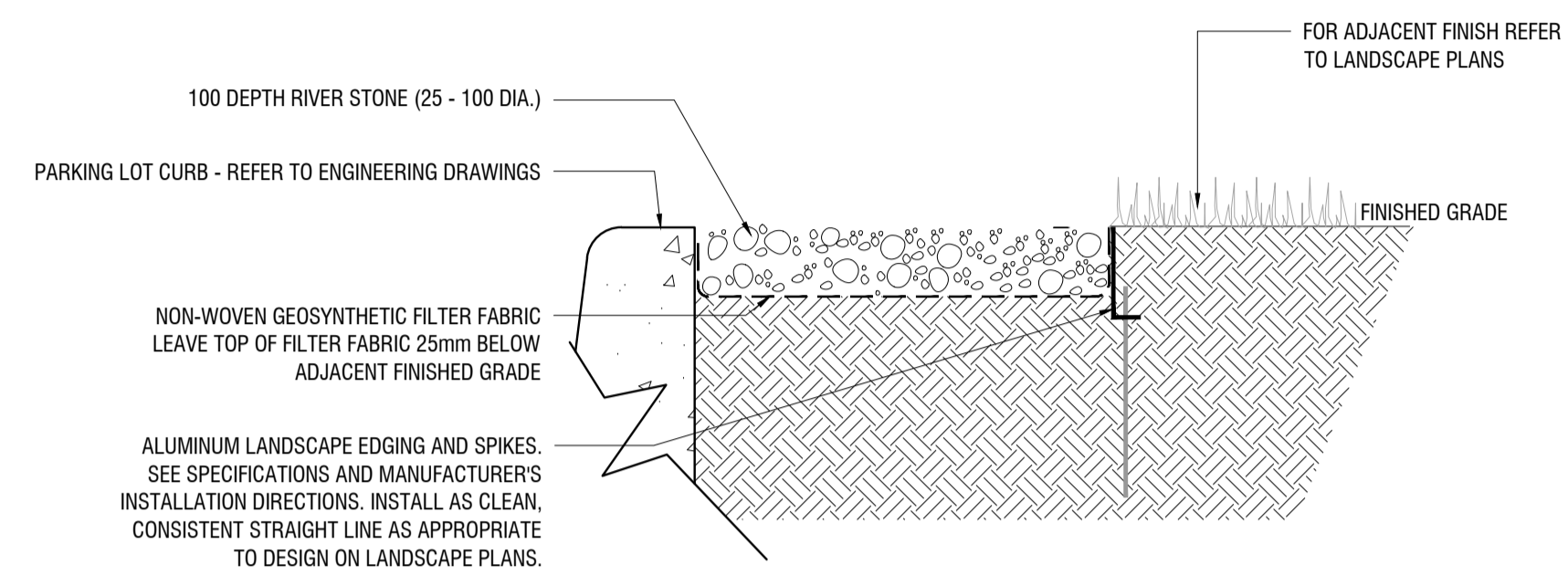
**MAGLIN**  
Since 1986  
7 800 786 6666  
2107 2nd Street  
www.maglin.com  
info@maglin.com

All drawings, specifications, design and details on this page remain the property of Maglin Site Furniture Inc. and may not be used without Maglin's authorization.  
\* Details and specifications may vary due to continuing improvements of our products.

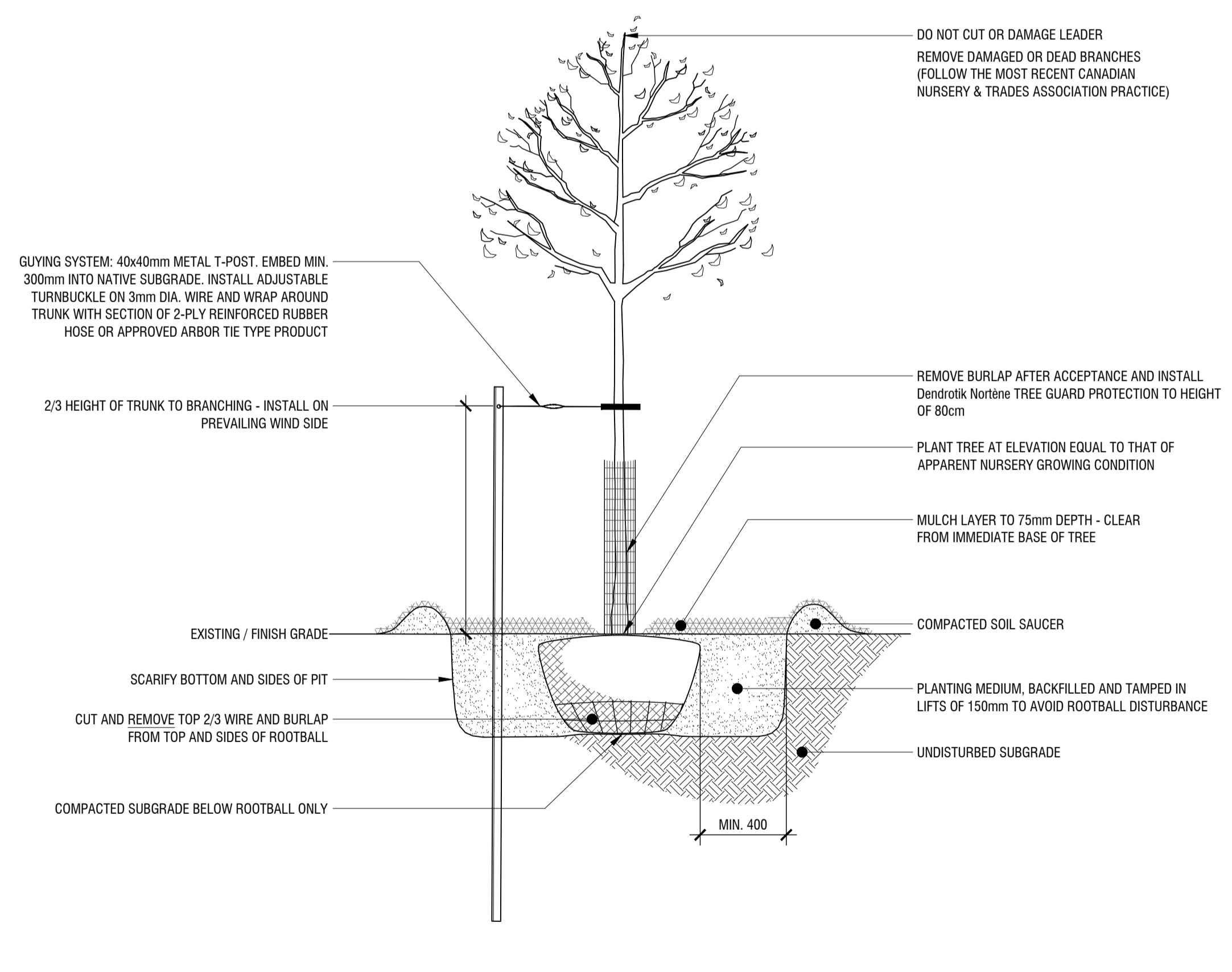
NOTES:  
COLOUR: SILVER 14  
SURFACE MOUNT TO CONCRETE PAVING WITH STAINLESS STEEL, TAMPER PROOF HARDWARE

**1 BIKE RACK**  
**L2 NTS**

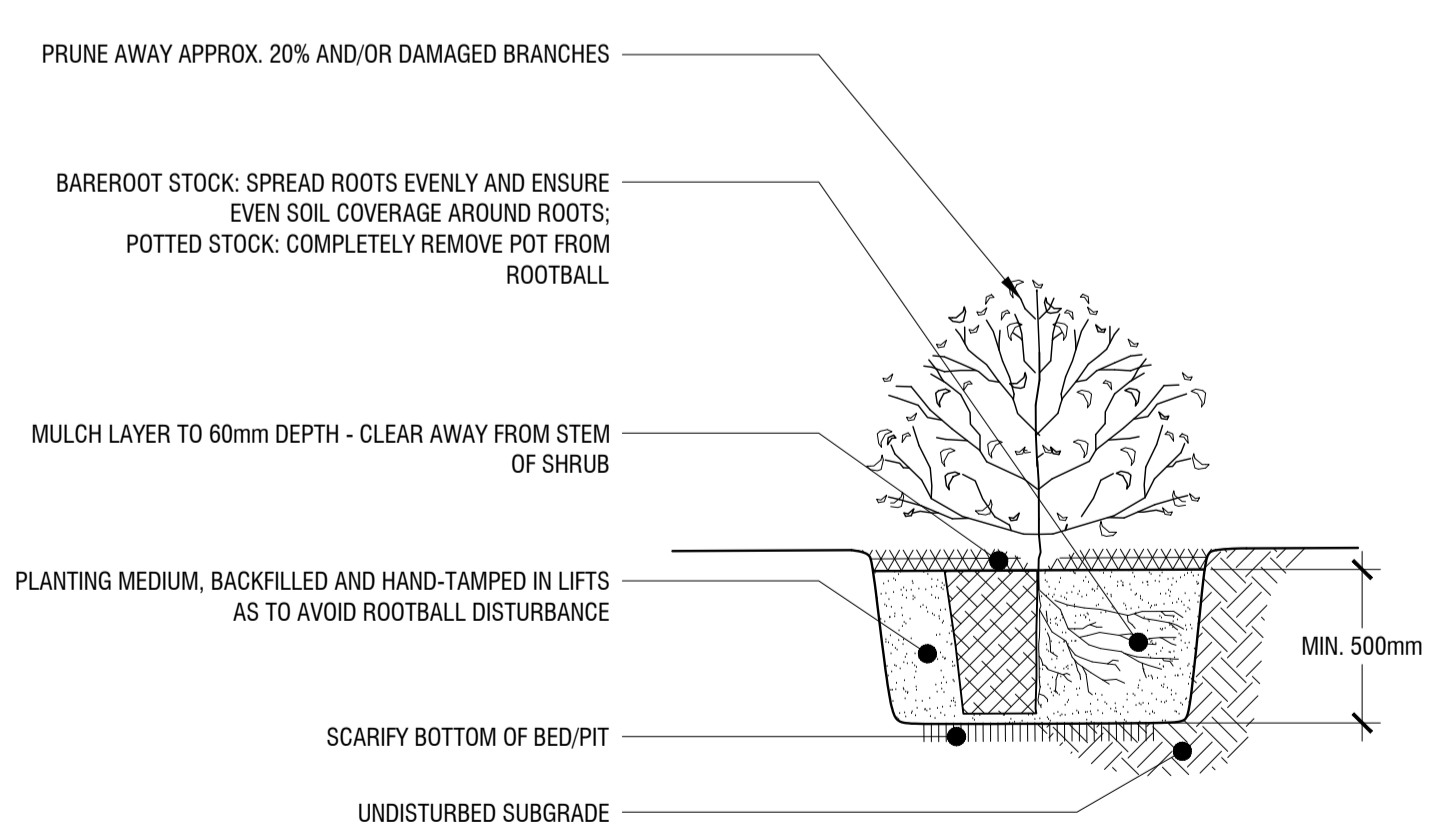
**2 RIVER ROCK MAINTENANCE EDGE**  
**L2 NTS**



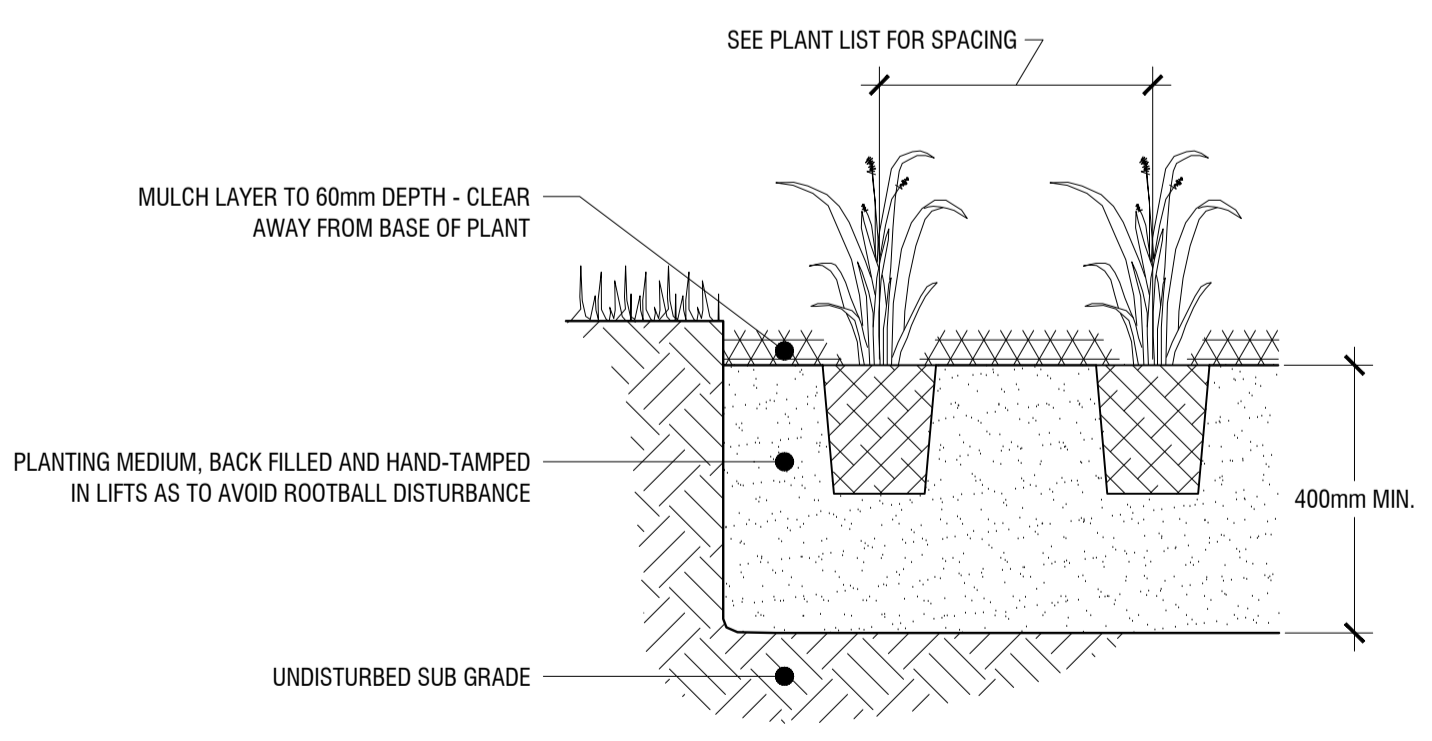
**3 PRECAST CONCRETE RETAINING WALL**  
**L2 NTS**



**4 DECIDUOUS TREE PLANTING DETAIL**  
**L2 1:30**



**5 SHRUB PLANTING DETAIL**  
**L2 1:20**



**6 ORNAMENTAL GRASS/PERENNIAL PLANTING DETAIL**  
**L2 1:10**


Copyright Reserved  
The Copyrights to all designs and drawings are the property of Fotenn Consultants Inc. Unauthorized reproduction or use is forbidden. DO NOT SCALE DRAWING  
Copyright réservés  
Les droits d'auteur à tous les modèles et dessins sont la propriété de Fotenn Consultants Inc. Reproduction ou utilisation non autorisée est interdite. NE PAS L'ÉCHELLE DE DESSIN



Client / Client  
Legend / légende  
**PRELIMINARY**  
NOT FOR CONSTRUCTION

rev'n	description / la description	yyyy/mm/dd
04	issue for re-submission	2023/11/21
03	issue for re-submission	2023/07/11
02	issue for submission	2022/12/22
01	issue for internal coordination	2022/12/15
00	issue for internal coordination	2022/06/16

**FOTENN Planning + Design**  
396 Cooper Street, Suite 300  
Ottawa, ON, CANADA K2P 2H7  
613.730.5709  
fotenn.com

north / le nord stamp / le cachet  


project / projet  
**5210 INNES ROAD**  
drawing / dessin

**LANDSCAPE DETAILS**

designed / conçu	drawn / dessiné	reviewed / examiné
<b>BM/OM</b>	<b>BM/OM</b>	<b>OM</b>
date	# 18961	
<b>DEC 2022</b>		

drawing number / No. du dessin