

**GENERAL NOTES:**

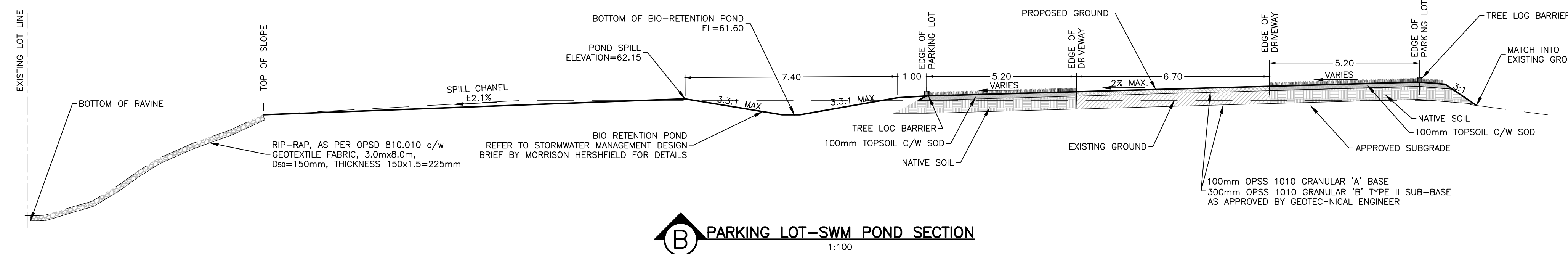
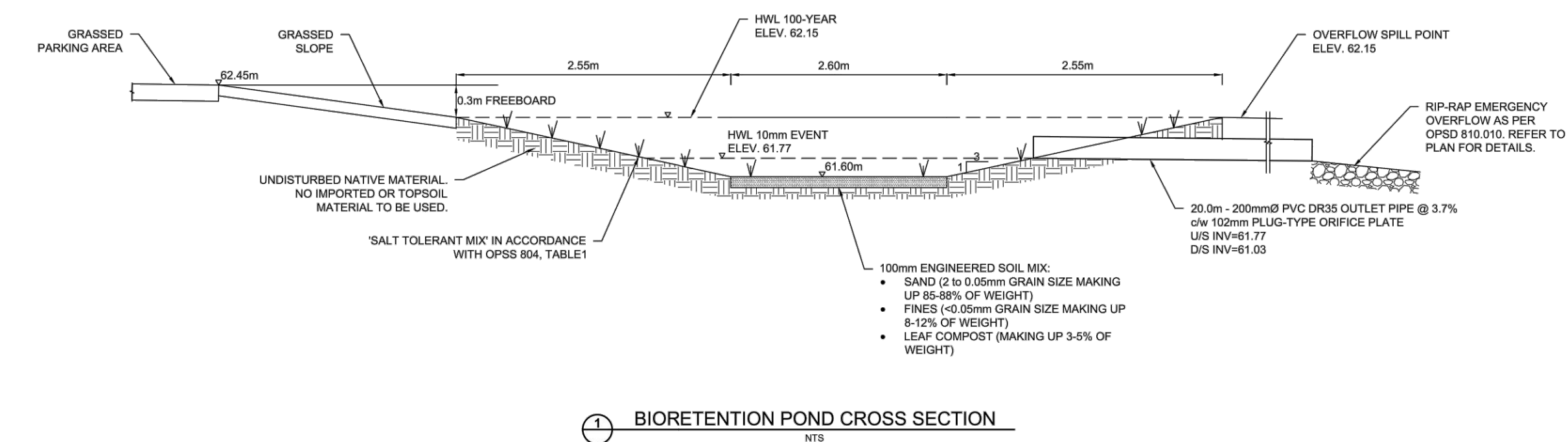
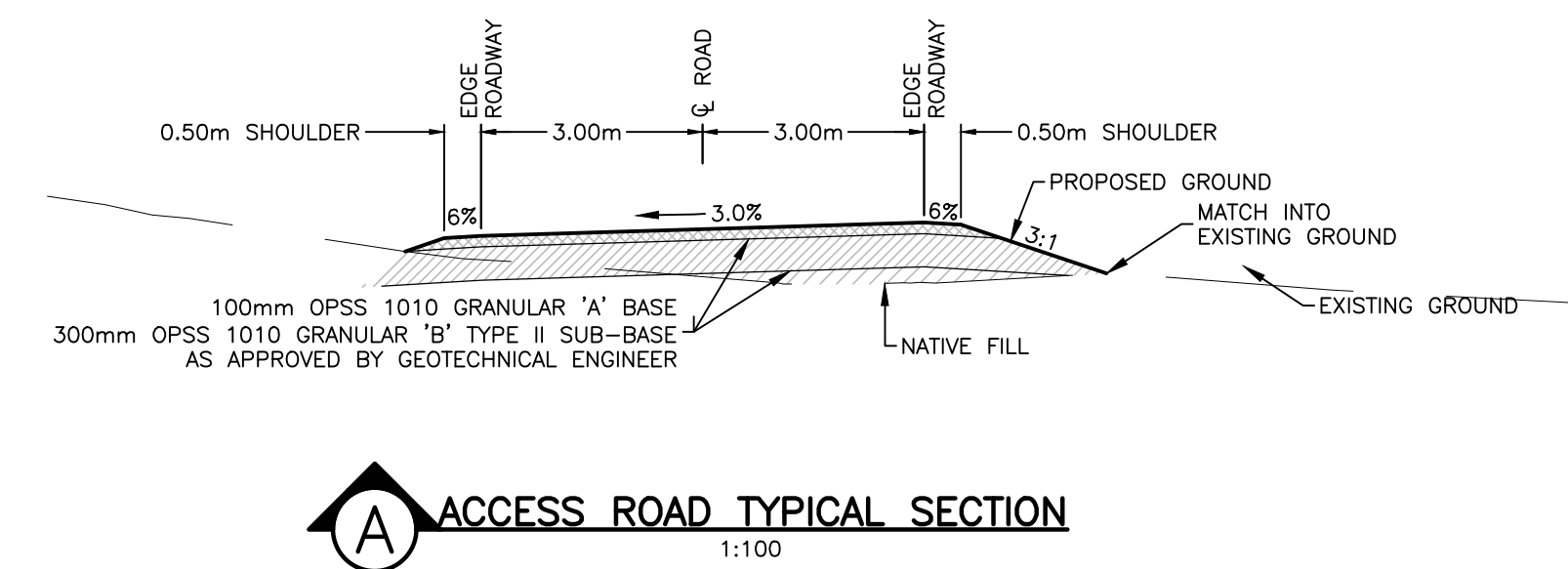
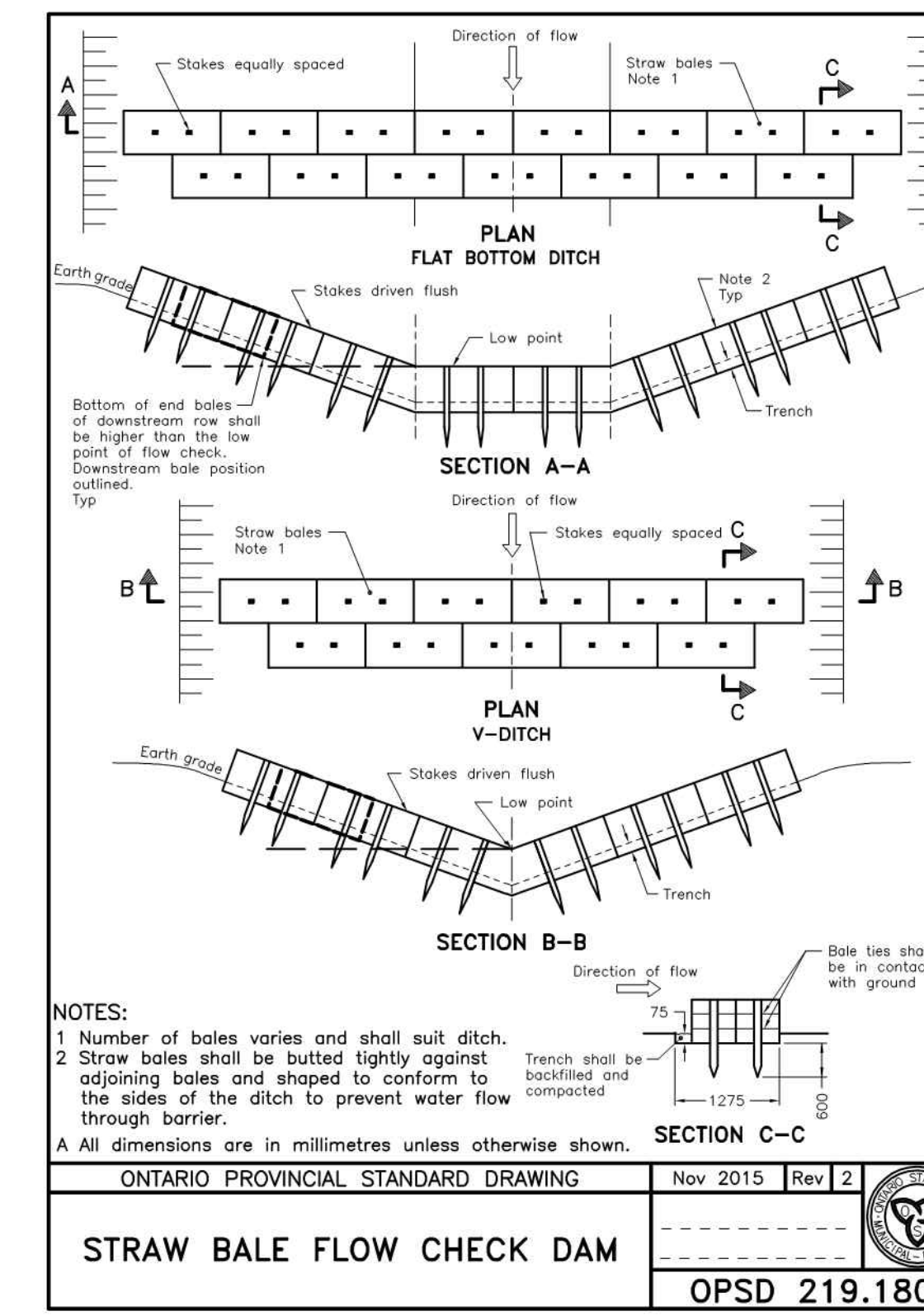
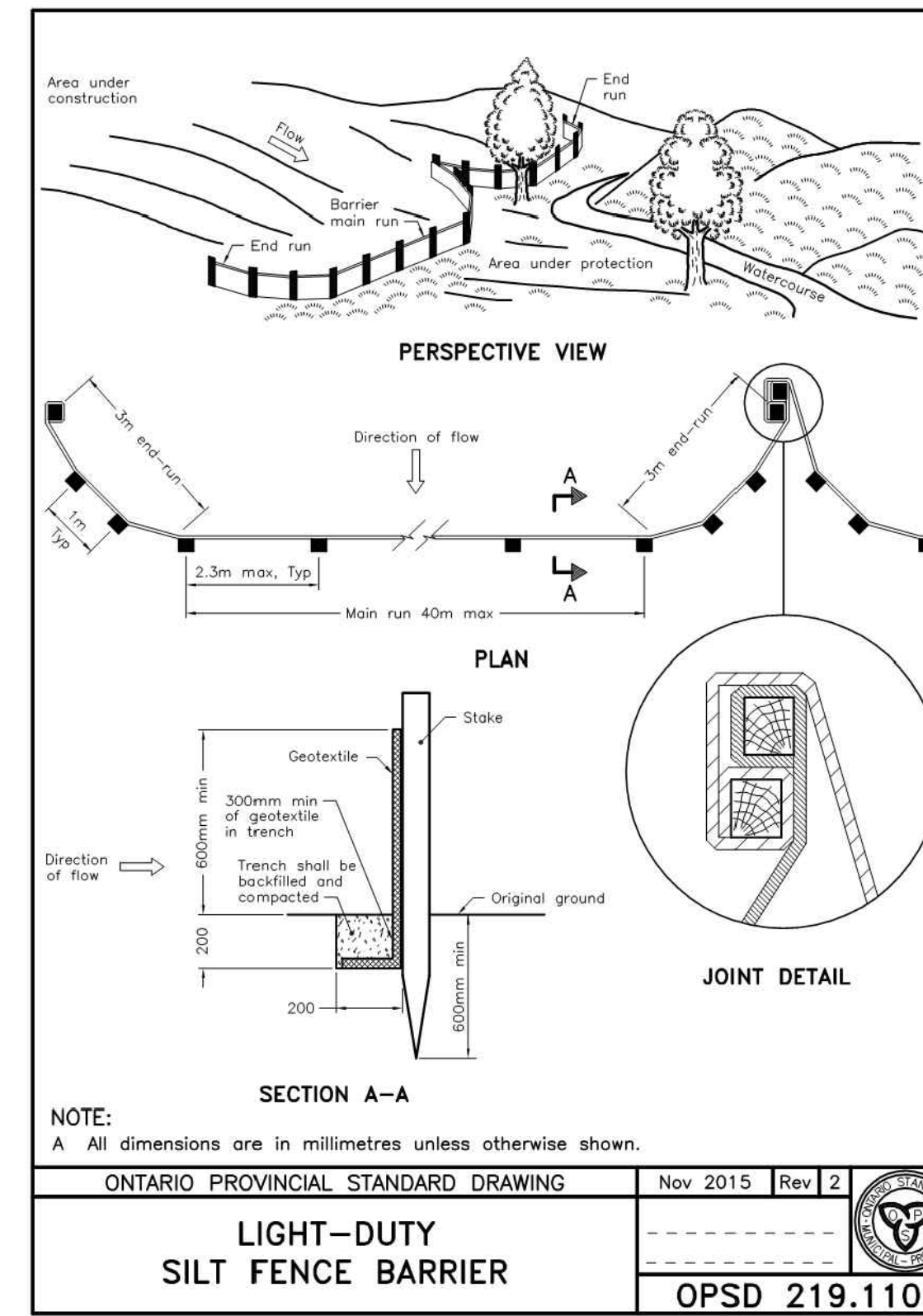
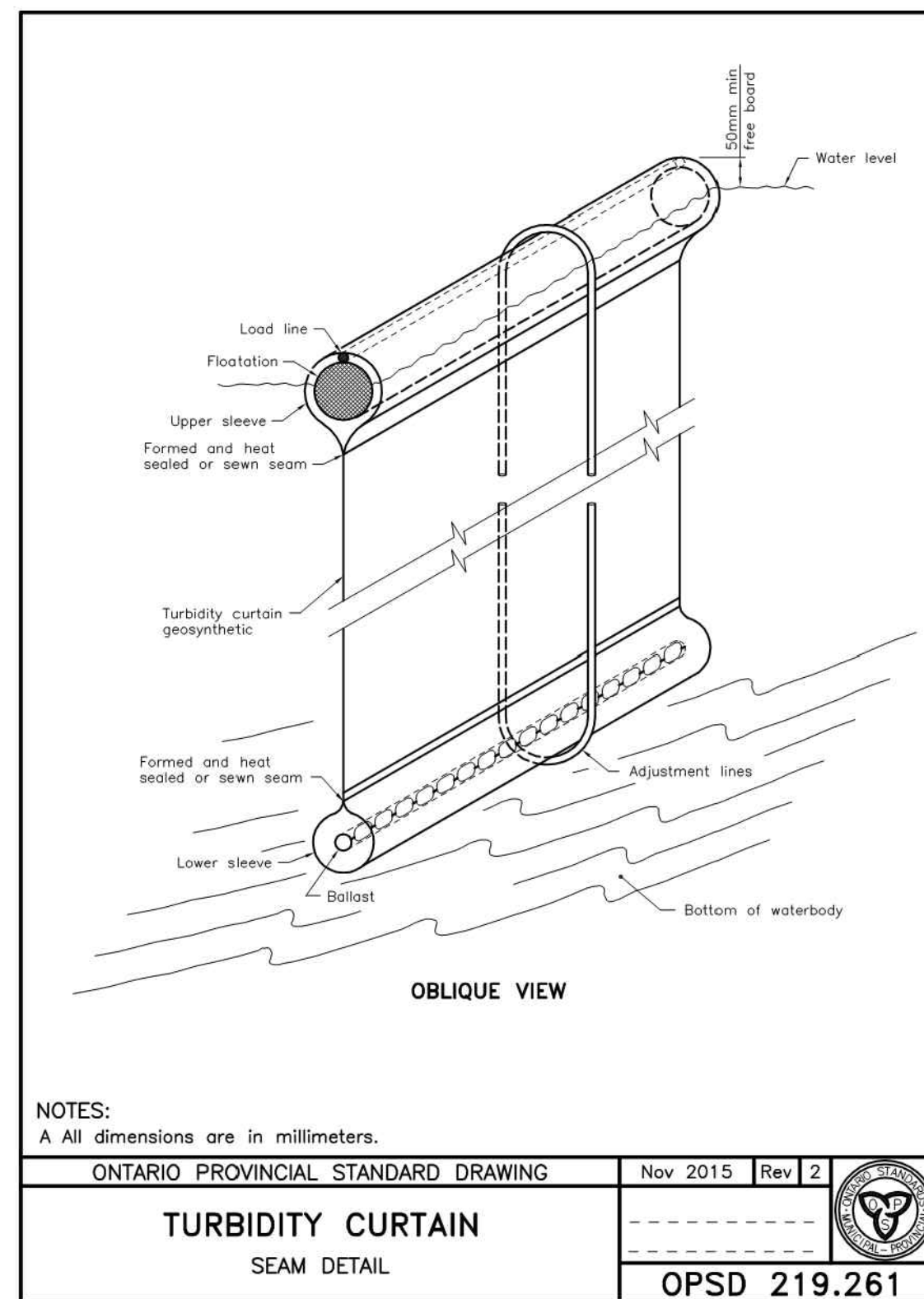
1. ALL MATERIALS AND CONSTRUCTION METHODS TO THE LATEST EDITION OF THE ONTARIO PROVINCIAL STANDARD SPECIFICATIONS AND ONTARIO PROVINCIAL STANDARD DRAWINGS.
2. ALL UNITS ARE IN METERS OR MILLIMETRES UNLESS OTHERWISE NOTED.
3. THE CONTRACTOR SHALL BE RESPONSIBLE FOR ALL EXCAVATION AND TRENCHING ALONG WITH BACKFILL TO STANDARDS SPECIFIED.
4. THE CONTRACTOR SHALL REFER TO THE GEOTECHNICAL INVESTIGATION REPORT PREPARED BY EXP SERVICES INC. DATED JANUARY 27, 2017 AND SEPTEMBER 14, 2022 PAVEMENT STRUCTURE LETTER. INFORMATION CONTAINED IN THIS REPORT DOES NOT NECESSARILY REPRESENT THE SUBSURFACE CONDITIONS AT ALL LOCATIONS AT THE TIME OF CONSTRUCTION. THE CONTRACTOR SHALL CARRY OUT THEIR OWN TEST PITS TO MAKE AN INDEPENDENT ASSESSMENT OF GROUND CONDITIONS AT THEIR OWN DISCRETION. NO CLAIM FOR EXTRA COSTS SHALL BE MADE IF SURFACE OR SUBSURFACE CONDITIONS VARY FROM THOSE INDICATED IN THE GEOTECHNICAL REPORT.
5. ALL DIMENSIONS SHALL BE CHECKED AND VERIFIED IN THE FIELD BY THE CONTRACTOR PRIOR TO THE START OF CONSTRUCTION ANY DISCREPANCIES SHALL BE REPORTED IMMEDIATELY TO THE ENGINEER.
6. AS-BUILT DRAWINGS WILL BE MAINTAINED ON SITE BY THE CONTRACTOR.
7. THE LOCATION OF UTILITIES IS APPROXIMATE ONLY, AND THE EXACT LOCATION SHOULD BE DETERMINED BY CONSULTING THE MUNICIPAL AUTHORITIES AND UTILITY COMPANIES CONCERNED. THE CONTRACTOR IS RESPONSIBLE TO PROVIDE THE LOCATION AND STATUS OF UTILITIES AND SHALL BE RESPONSIBLE FOR ADEQUATE PROTECTION OF PLANT AND EQUIPMENT FROM DAMAGE.
8. CONTRACTOR TO REMOVE ALL UNSUITABLE MATERIAL FROM THE SITE (i.e. STUMPS, LARGE ROOTS, etc.).
9. ALL WORK SHALL BE COMPLETED IN ACCORDANCE WITH THE "OCCUPATIONAL HEALTH AND SAFETY ACT AND REGULATIONS FOR CONSTRUCTION PROJECT". THE GENERAL CONTRACTOR SHALL BE DEEMED TO BE THE CONTRACTOR AS DEFINED IN THE ACT.
10. THE CONTRACTOR SHALL COORDINATE AND PAY FOR ALL CONSTRUCTION RELATED PERMITS, FEES, INSPECTIONS AND APPROVALS REQUIRED BY THE MUNICIPAL AUTHORITIES.
11. ALL ELEVATIONS ARE GEODETIC AND UTILIZE METRIC UNITS.
12. THE CONTRACTOR SHALL COMPLETE ALL PRE-CONSTRUCTION UNDERGROUND UTILITY LOCATES AND COMPLETE ALL LAYOUT REQUIRED FOR CONSTRUCTION AND CHECKING.
13. ALL ROADS AND DRAINAGE WORKS SHALL BE CONSTRUCTED IN ACCORDANCE WITH PROVINCIAL AND MUNICIPAL STANDARDS AND SPECIFICATIONS UNLESS OTHERWISE INDICATED IN THE DRAWING DETAILS.
14. THE CONTRACTOR SHALL REINSTATE TO EXISTING CONDITIONS OR BETTER, ALL AREAS DISTURBED DURING THE PERFORMANCE OF THE WORK.
15. DESIGN ELEVATIONS AS GIVEN ON THESE PLANS ARE TO BE ADHERED TO WITH NO CHANGES WITHOUT PRIOR WRITTEN APPROVAL BY THE ENGINEER AND APPROPRIATE CITY OF OTTAWA STAFF.
16. ALL PRIVATE PROPERTY ENCLOSED UPON DURING CONSTRUCTION TO BE REINSTATED TO ORIGINAL CONDITION OR BETTER.
17. ALL DISTURBED AREAS TO BE REINSTATED TO EQUAL OR BETTER CONDITION. ALL NEW WORK SHALL TIE INTO EXISTING.
18. ALL GROUND SURFACES SHALL BE EVENLY GRADED WITHOUT PONDING AREAS AND WITHOUT LOW POINTS EXCEPT WHERE APPROVED SWALE OR CATCHBASIN OUTLETS ARE PROVIDED.
19. PERIMETER AND UNDERFLOOR FOUNDATION DRAINS SHALL BE PROVIDED FOR BUILDINGS WITH BASEMENTS. REFER TO GEOTECHNICAL REPORT. PERIMETER DRAINS/UNDERFLOOR DRAINAGE SYSTEM SHALL SLOPE TO THE STORM LATERALS.
20. NO SNOW DUMPING IS PERMITTED WITHIN THE HYDRO ONE EASEMENT CORRIDOR. SNOW MUST BE REMOVED OFF PARKING SURFACES AND DISPOSED OF OUTSIDE THE EASEMENT. SNOW DUMPING SIGNS MUST BE INSTALLED AROUND THE PARKING LOT AREAS.
21. CULVERTS SHOULD BE IMBEDDED A MINIMUM OF 10% OF THEIR DIAMETER.
22. THE CONTRACTOR IS REQUIRED TO SCHEDULE AND CO-ORDINATE ALL WORKS WITH UTILITY COMPANIES, MUNICIPAL AUTHORITIES AND OTHER CONTRACTORS ON SITE.

**ROADWORK SPECIFICATIONS:**

1. ROADWORK TO BE COMPLETED IN ACCORDANCE WITH LATEST GEOTECHNICAL REPORT, PREPARED EXP SERVICES INC.
2. ALL TOPSOIL AND ORGANIC MATERIAL SHALL BE STRIPPED WITHIN THE ROADWAY AND PARKING LOTS PRIOR TO THE COMMENCEMENT OF CONSTRUCTION AND STOCK PILED ONSITE AS DIRECTED BY THE ENGINEER.
3. THE SUBGRADE SHALL BE CROWNED AND SLOPED AT LEAST 2% AND PROOF ROLLED WITH A HEAVY ROLLER.
4. SUB-EXCAVATE SOFT AREAS AND FILL WITH GRANULAR "B", TYPE II COMPACTED IN MAXIMUM 300mm LIFTS.
5. ALL GRANULAR FOR ROADS SHALL BE COMPACTED TO A MINIMUM OF 100% STANDARD PROCTOR DENSITY MAXIMUM DRY DENSITY (SPMDD).

**DEVELOPMENT NOTES:**

1. BUILDING AND SEPTIC CONSTRUCTION TO COMPLY WITH THE REQUIREMENTS OF GEOTECHNICAL REPORT PREPARED BY EXP SERVICES INC. DATED JANUARY 27, 2017 AND THE HYDROGEOLOGY, TERRAIN ANALYSIS AND IMPACT ASSESSMENT PREPARED BY EXP SERVICES INC. DATED JANUARY 25, 2017, REVISED JULY 20, 2017.



File name: \\h010202\exp\projects\0229886-00\exp\_services\0229886-00 - humanics\_sanctuary\0229886-00\0229886-00.dwg  
 User: jfitzpatrick  
 Date: 2016/09/09 12:28:48 PM  
 Plot: 2016/09/09 12:28:48 PM  
 Plotter: HP DesignJet 5000 Series  
 Scale: 1:100

NO.	REVISION DESCRIPTION	DATE	BY	APPD	NO.	REVISION DESCRIPTION	DATE	BY	APPD
7	REVISED PER CITY COMMENTS	26/04/22	JH	BMT					
6	ISSUED FOR SITE PLAN AMENDMENT	03/12/21	AJ	BMT					
5	CITY STAMP ADDED	13/12/17	SAB	BMT					
4	REVISED SEPTIC BED	25/07/17	SAB	BMT					
3	REVISED AS PER CITY COMMENTS	25/01/17	SAB	BMT					
2	ISSUED FOR SITE PLAN APPROVAL	06/06/16	SAB	BMT					
1	ISSUED FOR CLIENT REVIEW	03/06/16	SAB	BMT					

	HUMANICS UNIVERSAL INC. 601 BROOKRIDGE CRES ORLEANS, ON K4A 1Z6, 613-824-1525	PROJECT <b>HUMANICS SANCTUARY</b> 3400/3468 OLD MONTREAL ROAD ORLEANS, ONTARIO.	PROJ. NO. OTT-00229886-AG
	exp Services Inc. 1-1-613-688-1899   F-1-613-225-7330 3405 Commercial Drive, Unit 100 Ottawa, ON K2B 8R6 Canada www.exp.com	DESIGN J. FITZPATRICK CHECKED B. THOMAS CAD J. FITZPATRICK PROJ. MAN B. THOMAS APPROVED J. FITZPATRICK	DATE FEB 09, 2016 DRAWING NO. <b>DET-1B</b>

D07-12-23-003