

Copyright Reserved

The Contractor shall verify and be responsible for all dimensions. DO NOT scale the drawings - any errors or omissions shall be reported to Stantec without delay.
The Copyrights to all designs and drawings are the property of Stantec. Reproduction or use for any purpose other than that authorized by Stantec is forbidden.

Legend
■ PROPOSED SILT FENCE BOUNDARY AS PER OPSD 219.110
○ PROPOSED CATCH BASIN PROTECTION AS PER FLEX STORM INLET FILTERS DETAIL. ITEM CODE P-RD-240-223-FX
○ PROPOSED CATCH BASIN WITH PROTECTION AS PER FLEX STORM INLET FILTERS DETAIL. ITEM CODE P-RD-290-270-FX
○ PROPOSED CATCH BASIN PROTECTION AS PER TERRAFIX SILTSACK DETAIL

- PROPOSED MUD MAT LOCATION
- PROPOSED VALVE BOX
- PROPOSED VALVE CHAMBER
- PROPOSED FIRE HYDRANT
- PROPOSED SANITARY SEWER MANHOLE
- PROPOSED STORM SEWER MANHOLE
- PROPOSED CATCHBASIN MANHOLE
- PROPOSED CATCHBASIN

Best Management Practices

CONTRACTOR TO PROVIDE EROSION AND SEDIMENT CONTROLS (BEST MANAGEMENT PRACTICES) DURING CONSTRUCTION OF THIS PROJECT.

EROSION MUST BE MINIMIZED AND SEDIMENTS MUST BE REMOVED FROM CONSTRUCTION SITE RUN-OFF IN ORDER TO PROTECT DOWNSTREAM AREAS. DURING ALL CONSTRUCTION, EROSION AND SEDIMENTATION SHOULD BE CONTROLLED BY THE FOLLOWING TECHNIQUES:

1. LIMIT THE EXTENT OF EXPOSED SOILS AT ANY GIVEN TIME.
2. REVEGETATE EXPOSED AREAS AND SLOPES AS SOON AS POSSIBLE.
3. MINIMIZE AREA TO BE CLEARED AND GRIERED.
4. PROTECT EXPOSED SLOPES WITH PLASTIC OR SYNTHETIC MULCHES.
5. INSTALL CATCH BASIN INSERTS OR EQUIVALENT IN ALL PROPOSED CATCH BASINS AND CATCH BASIN MANHOLES AND ALL EXISTING CATCH BASINS THAT WILL RECEIVE RUNOFF FROM THE SITE.
6. A SILT FENCE SHALL BE INSTALLED AROUND THE PERIMETER OF ALL AND ANY STOCKPILES OF MATERIAL TO BE USED OR REMOVED FROM SITE. LOCATION TO BE DETERMINED.
7. A VISUAL INSPECTION SHALL BE DONE DAILY AND FOLLOWING ALL RAINFALL EVENTS ON SEDIMENT CONTROL MEASURES AND CLEANED OF ANY ACCUMULATED SILT AS REQUIRED. THE DEPOSITS WILL BE DISPOSED OFF SITE AS PER THE REQUIREMENTS OF THE CONTRACT.
8. SEDIMENT CONTROL BARRIERS MAY ONLY BE REMOVED TEMPORARILY WITH APPROVAL OF CONTRACT ADMINISTRATOR TO ACCOMMODATE CONSTRUCTION OPERATIONS. ALL AFFECTED BARRIERS MUST BE REINSTATED AT NIGHT WHEN CONSTRUCTION IS COMPLETED. NO REMOVAL WILL OCCUR IF THERE IS A SIGNIFICANT RAINFALL EVENT ANTICIPATED (>10mm) UNLESS A NEW DEVICE HAS BEEN INSTALLED TO PROTECT EXISTING STORM AND SANITARY SEWER SYSTEMS, OR DOWNSTREAM WATERCOURSES.
9. NO REFUELING OR CLEANING OF EQUIPMENT IS PERMITTED NEAR ANY EXISTING WATERWAY. CONTRACTOR SHALL REMOVE SEDIMENT CONTROL MEASURES WHEN, IN THE OPINION OF THE CONTRACT ADMINISTRATOR, THE MEASURE IS NO LONGER REQUIRED. NO CONTROL MEASURES SHALL BE PERMANENTLY REMOVED WITHOUT PRIOR WRITTEN AUTHORIZATION FROM THE CONTRACT ADMINISTRATOR.
10. THE CONTRACTOR SHALL PERIODICALLY, OR WHEN REQUESTED BY THE CONTRACT ADMINISTRATOR, CLEAN UP ACCUMULATED SEDIMENTS AS REQUIRED.
11. THE CONTRACTOR SHALL IMMEDIATELY REPORT TO THE ENGINEER ANY ACCIDENTAL DISCHARGES OF SEDIMENT MATERIAL INTO THE WATERCOURSE. APPROPRIATE RESPONSE MEASURES, INCLUDING ANY REPAIRS TO EXISTING CONTROL MEASURES OR THE IMPLEMENTATION OF ADDITIONAL CONTROL MEASURES, SHALL BE CARRIED OUT BY THE CONTRACTOR WITHOUT DELAY.
12. CONTRACTOR SHALL INSTALL MUD MATS AT ENTRANCE TO THE SITE.
13. STORMWATER SWALES TO BE COVERED WITH HYDRO-SEED AND MULCH.
14. THE CONTRACTOR IS RESPONSIBLE TO KEEP THE ROADS FREE AND CLEAN FROM MUD AND DEBRIS.
15. THE SEDIMENT AND EROSION CONTROL MEASURES MAY BE MODIFIED IN THE FIELD AT THE DISCRETION OF THE CITY OF OTTAWA SITE INSPECTOR OR CONSERVATION AUTHORITY.

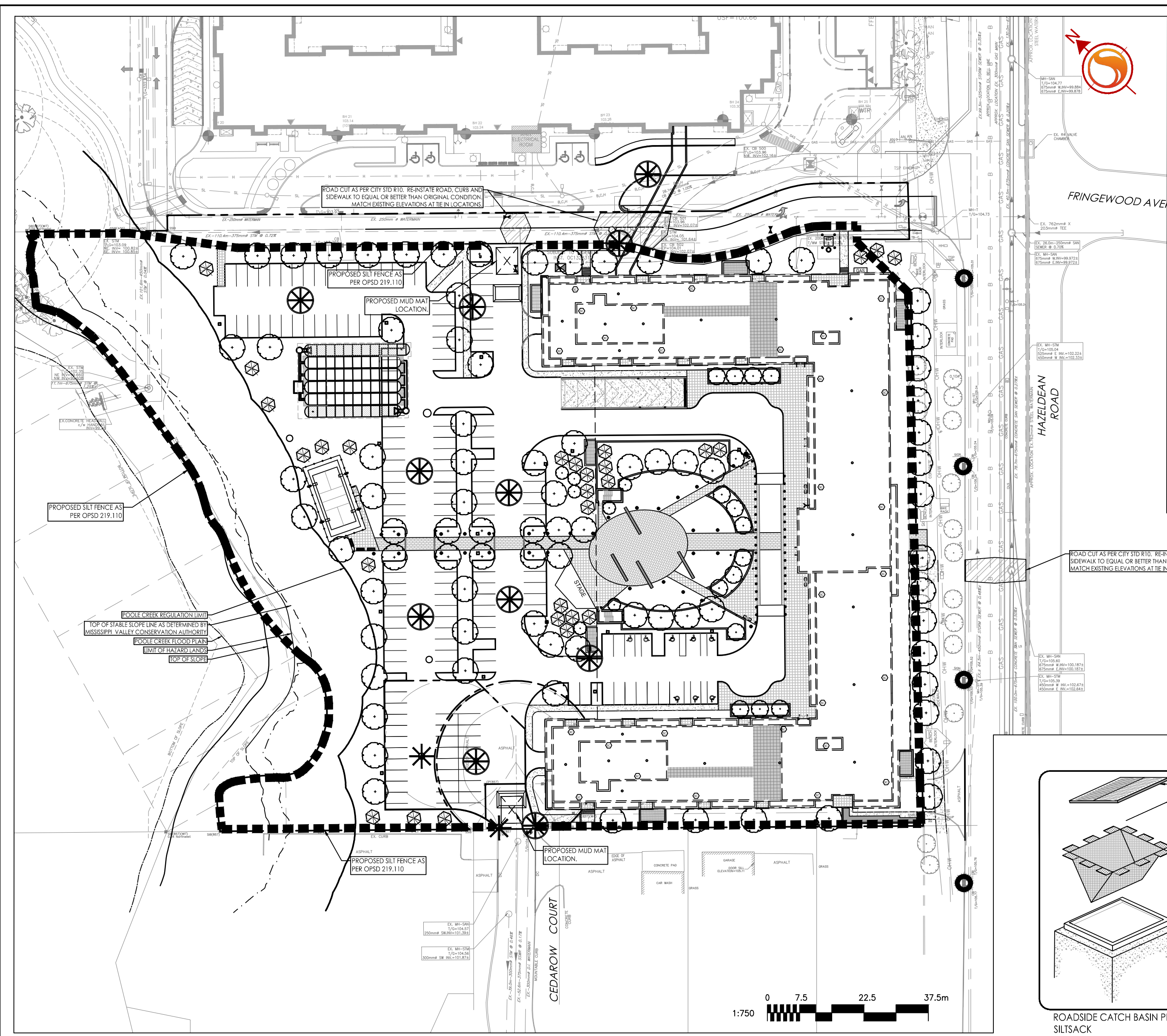
13	REVISED AS PER SITE PLAN	MJS	DT	24.08.01			
12	ISSUED FOR CONSTRUCTION	MJS	GR	23.11.21			
11	REVISED AS PER CITY COMMENTS	MJS	DT	23.11.21			
10	REVISED AS PER CITY COMMENTS	MJS	DT	23.09.01			
9	REVISED AS PER CITY COMMENTS	MJS	DT	23.06.30			
8	REVISED WATER SERVICING	MJS	DT	23.03.10			
7	REVISED ADS SYSTEM	MJS	DT	23.02.13			
6	ISSUED FOR SPA AMENDMENT	MJS	DT	22.12.22			
5	REVISED AS PER CITY COMMENTS	MJS	DT	22.07.14			
4	REVISED AS PER CITY COMMENTS	MJS	DT	22.03.29			
3	REVISED AS PER CITY COMMENTS	MJS	TR	21.09.02			
2	ISSUED FOR GEOTECH REVIEW	MJS	DT	21.08.03			
1	ISSUED TO CITY FOR SPA	MJS	DT	20.05.22			
Revision				By	Appd.	Y.Y.MM.DD	
File Name: 160401511-D8				MJS	DT	MJS	19.09.05
				Dwn.	Chkd.	Dgn.	Y.Y.MM.DD

Permit-Seal

Client/Project
NAUTICAL LANDS GROUP
2962 Carp Road
WELLINGS OF STITTSVILLE PH 2
20 CEDAROW COURT
OTTAWA, ON

Title
EROSION CONTROL PLAN
AND DETAIL SHEET

Project No.	Scale
160401511	
Drawing No.	Sheet
EC/DS-1	5 of 7
	Revision
	13
PLAN No. 18190	



FLEXSTORM P/Ns 62MHRFX & 62MHRFPX
RD INLET TYPE: RAISED CAST IRON FRAME AND ROUND GRATE

P/Ns	Frame Size (mm)	Grate Size (mm)	Grate Depth (mm)	Grate Material	Frame Material
62MHRFX	400	400	25	Cast Iron	Galvanized Steel
62MHRFPX	400	400	25	Cast Iron	Powder Coated Steel

NOTES:
1. RATINGS SHOWN ARE FOR STANDARD 22" BAG DEPTH. "SHORT" 12" DEPTH BAGS ARE AVAILABLE WITH "S" SUFFIX. RATINGS REDUCED BY "50".
2. THE FOLLOWING REQUIRES ADDITIONAL REVIEW.
-GRATES WITH EXTENDED BOTTOMS
-ANY OBSTRUCTED INLET OPENINGS

FLEXSTORM PURE

FLEXSTORM P/Ns 62LHDFX & 62LHDFXP
RD INLET TYPE: RAISED CAST IRON FRAME AND ROUND GRATE

P/Ns	Frame Size (mm)	Grate Size (mm)	Grate Depth (mm)	Grate Material	Frame Material
62LHDFX	400	400	25	Cast Iron	Galvanized Steel
62LHDFXP	400	400	25	Cast Iron	Powder Coated Steel

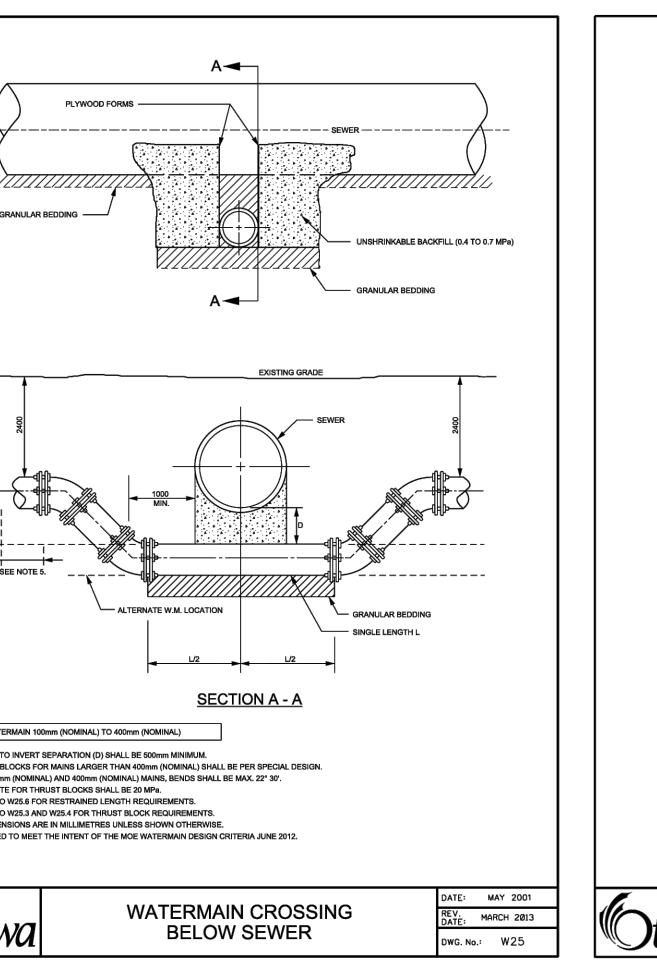
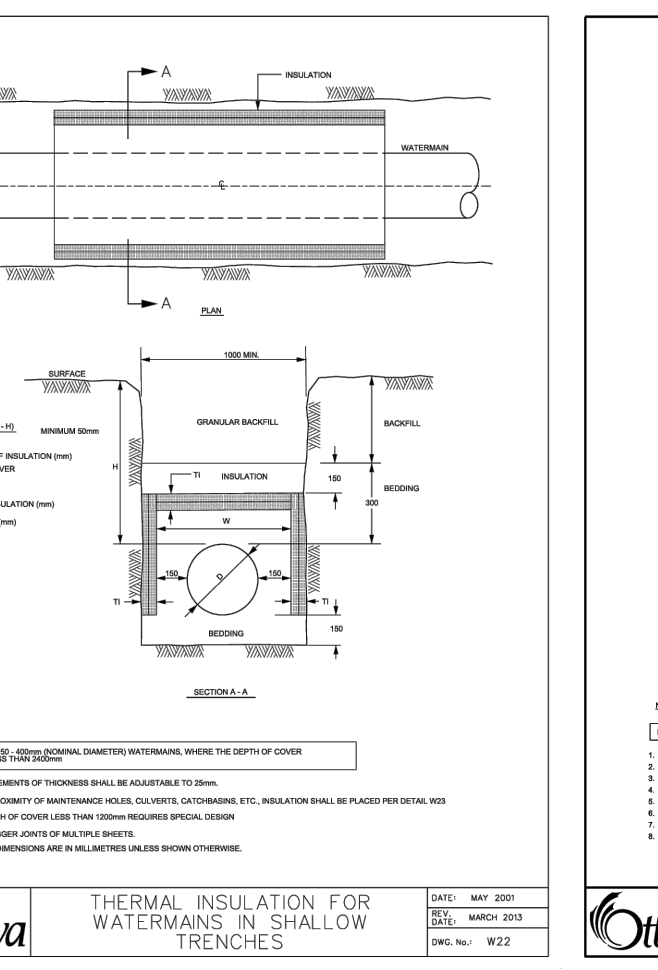
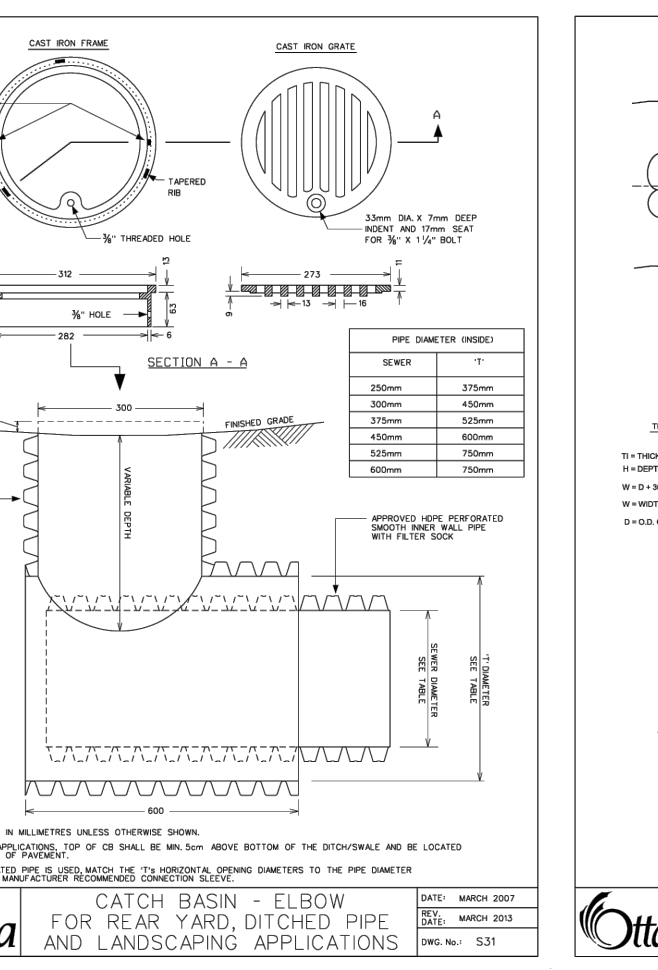
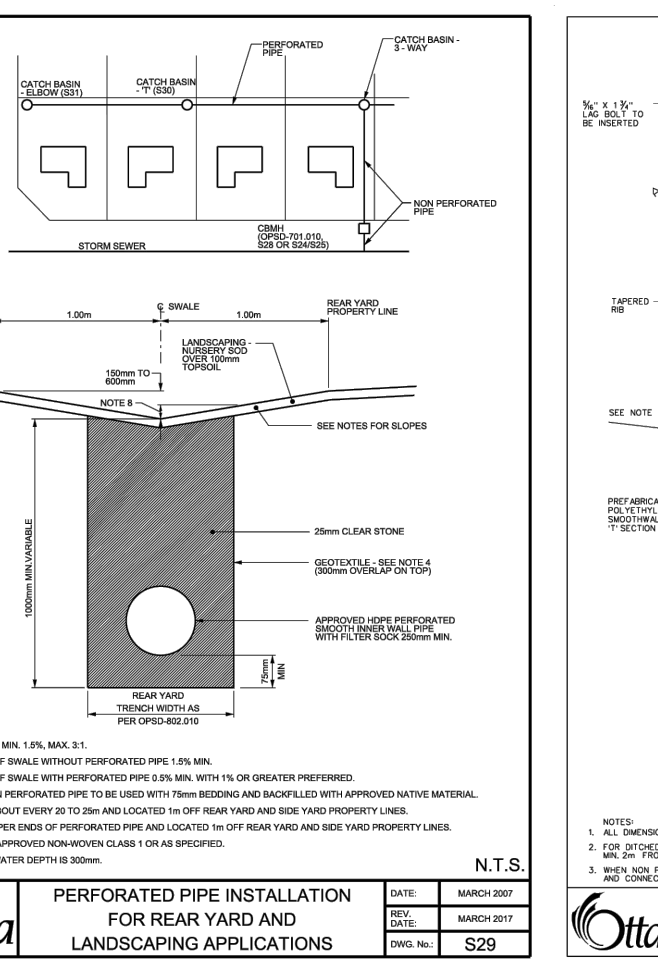
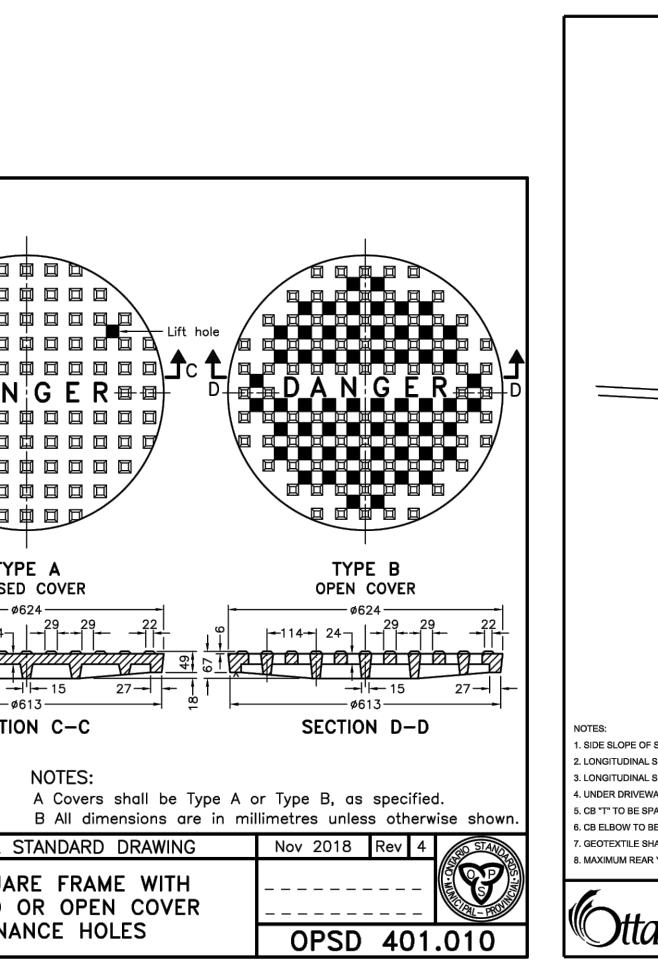
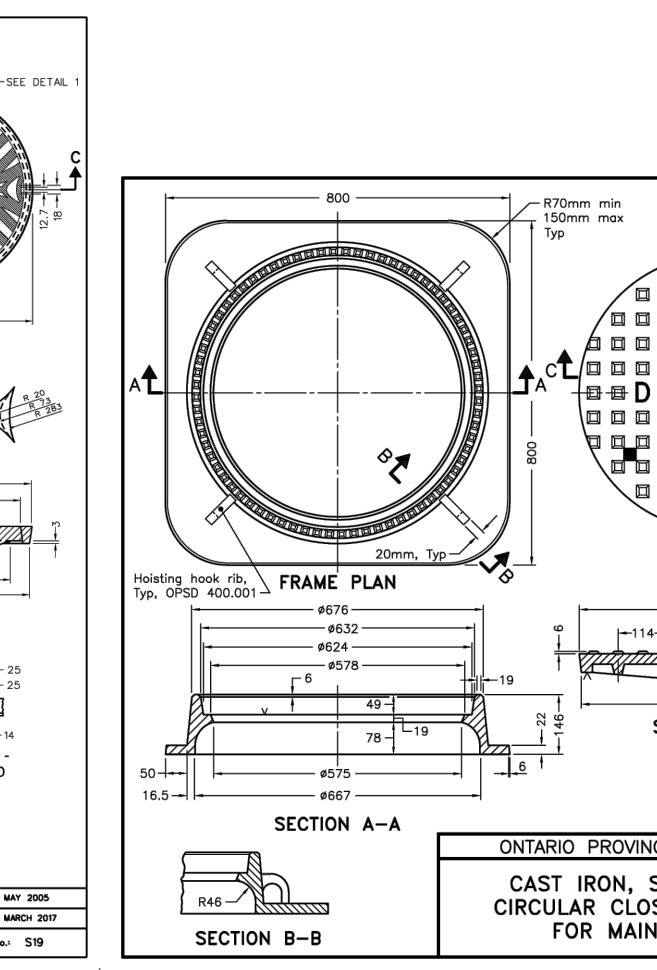
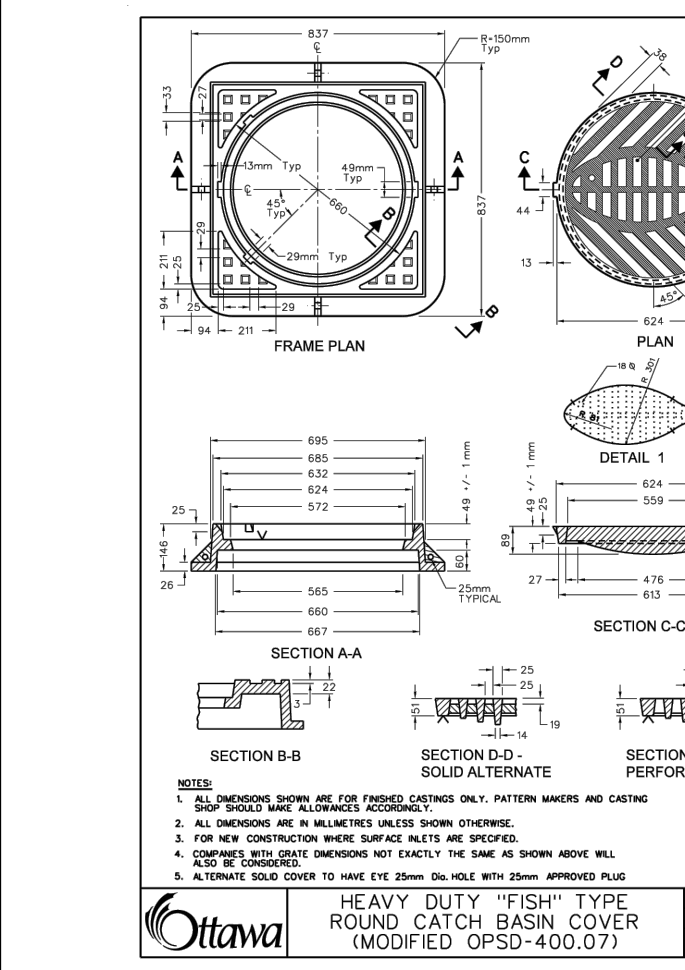
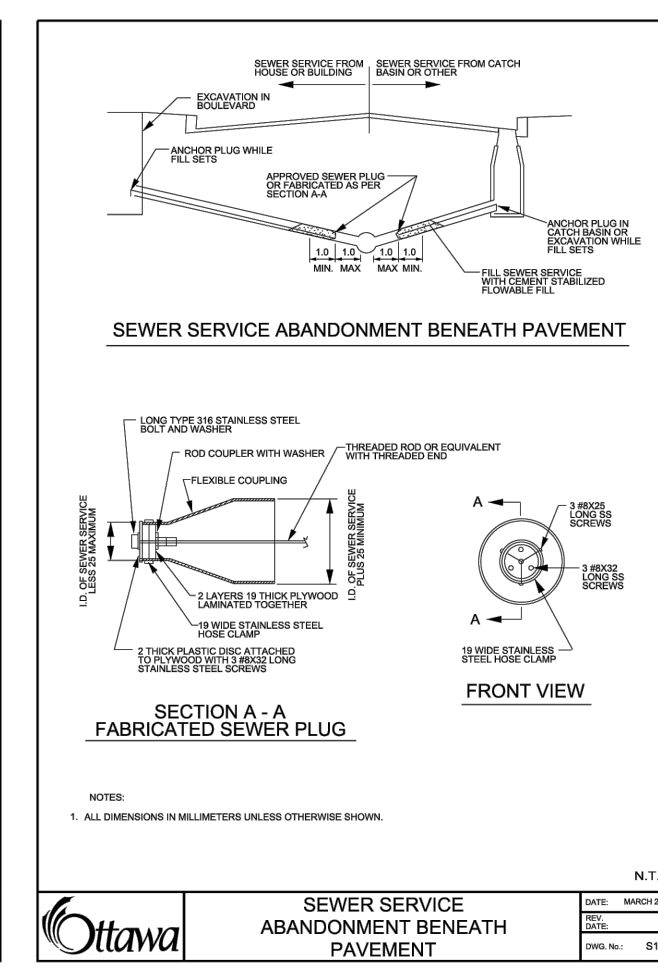
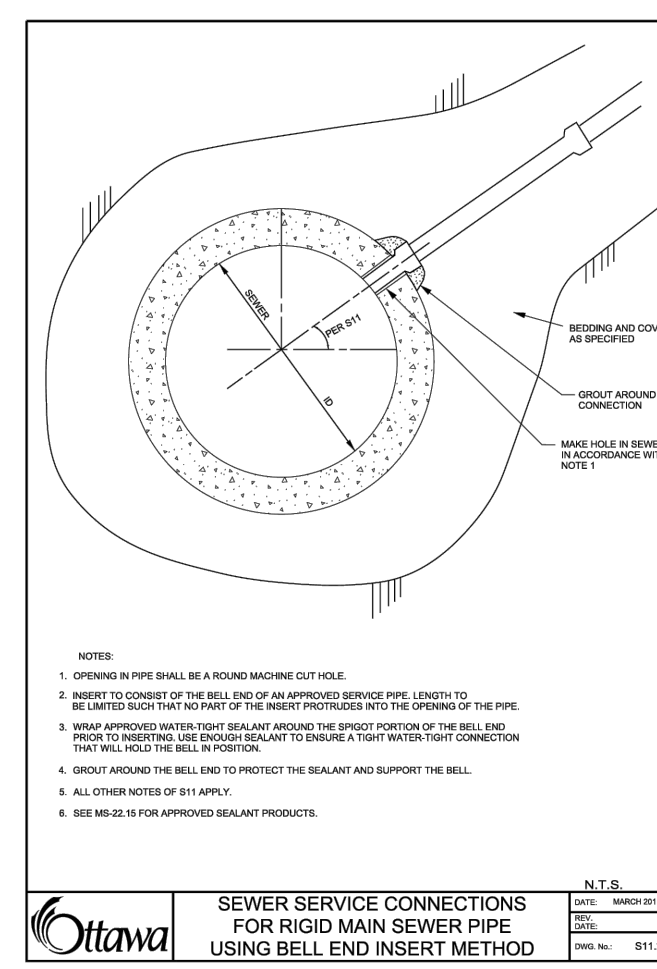
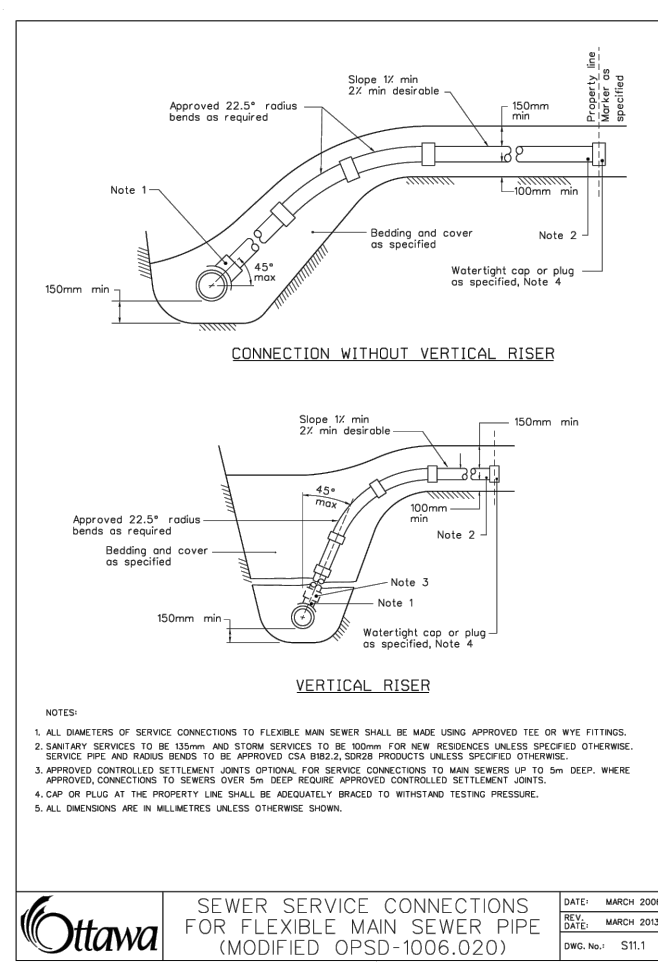
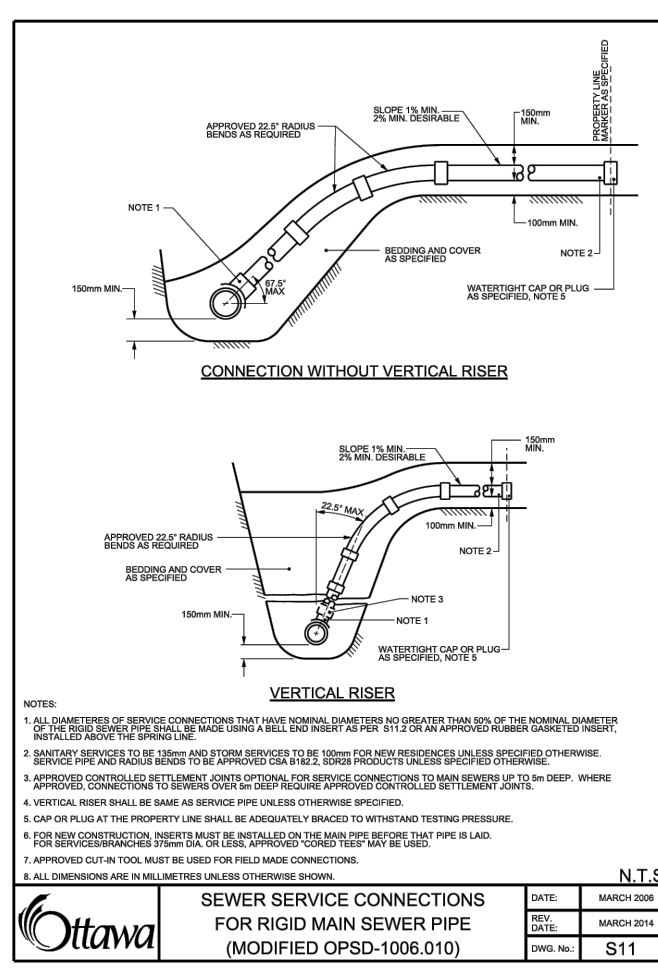
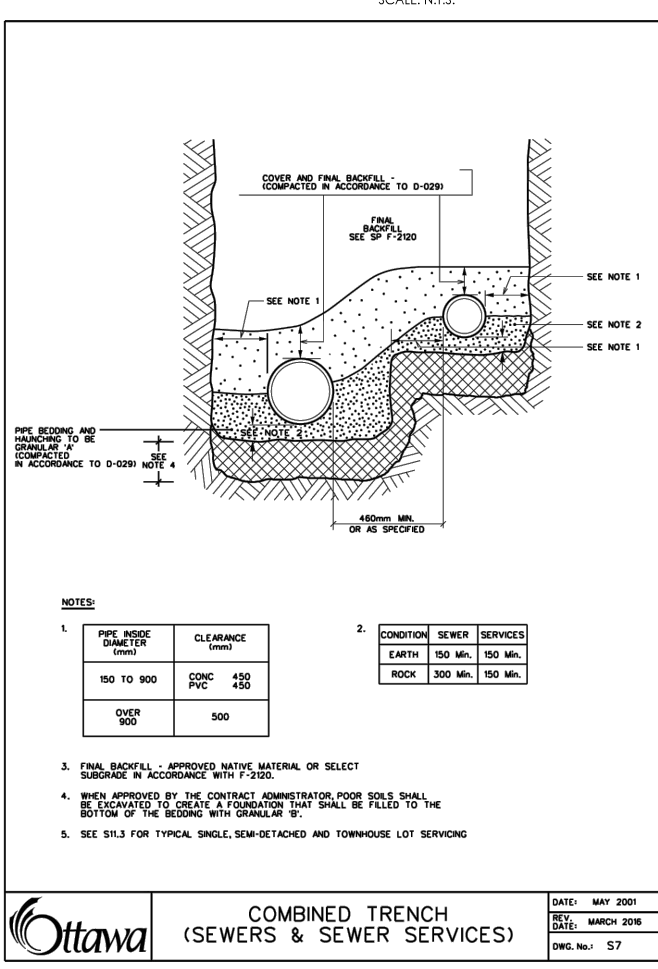
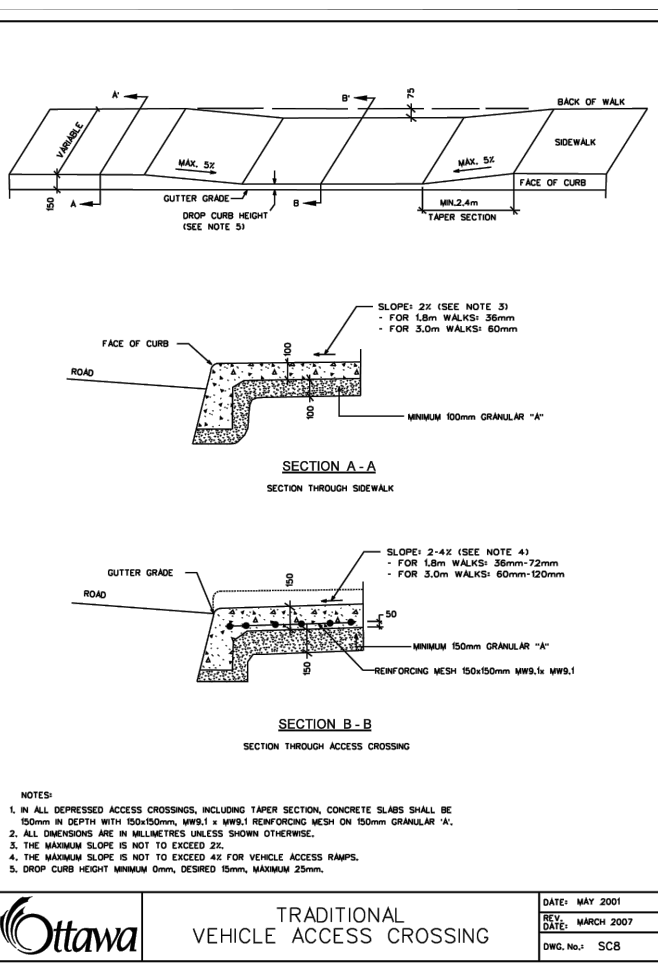
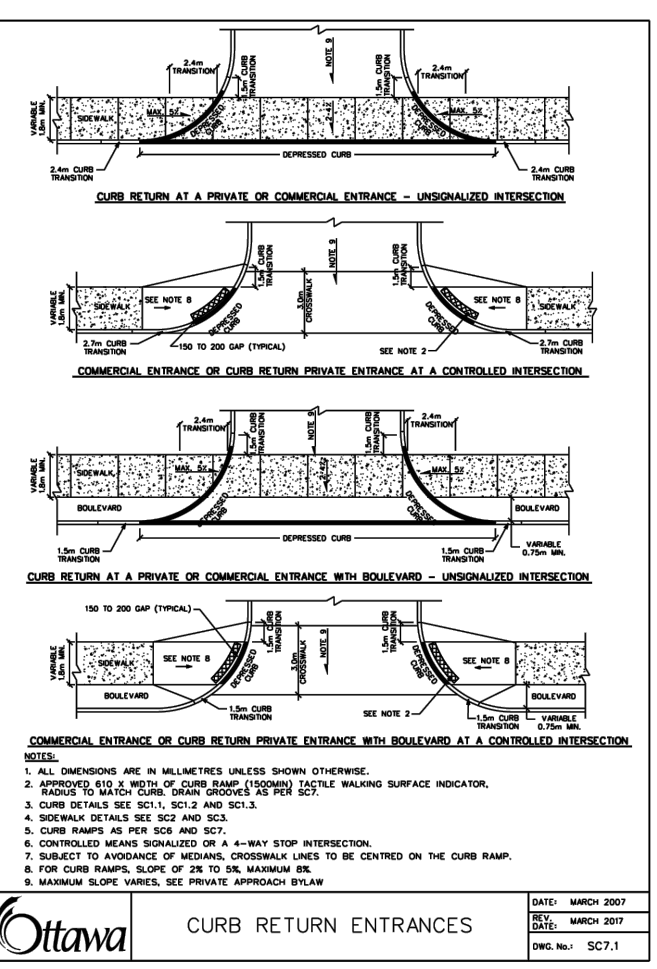
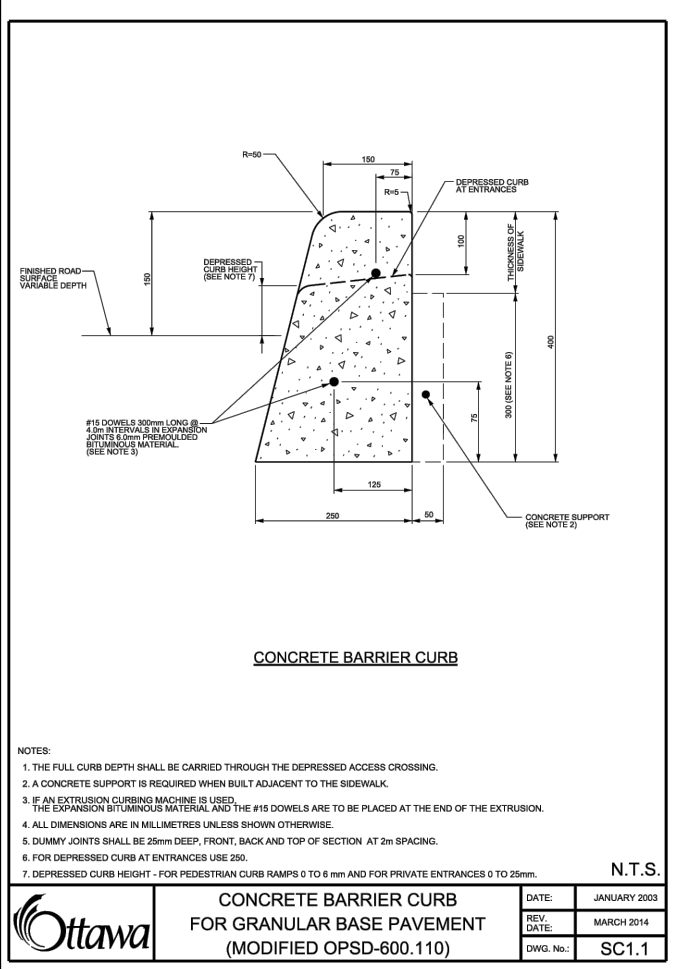
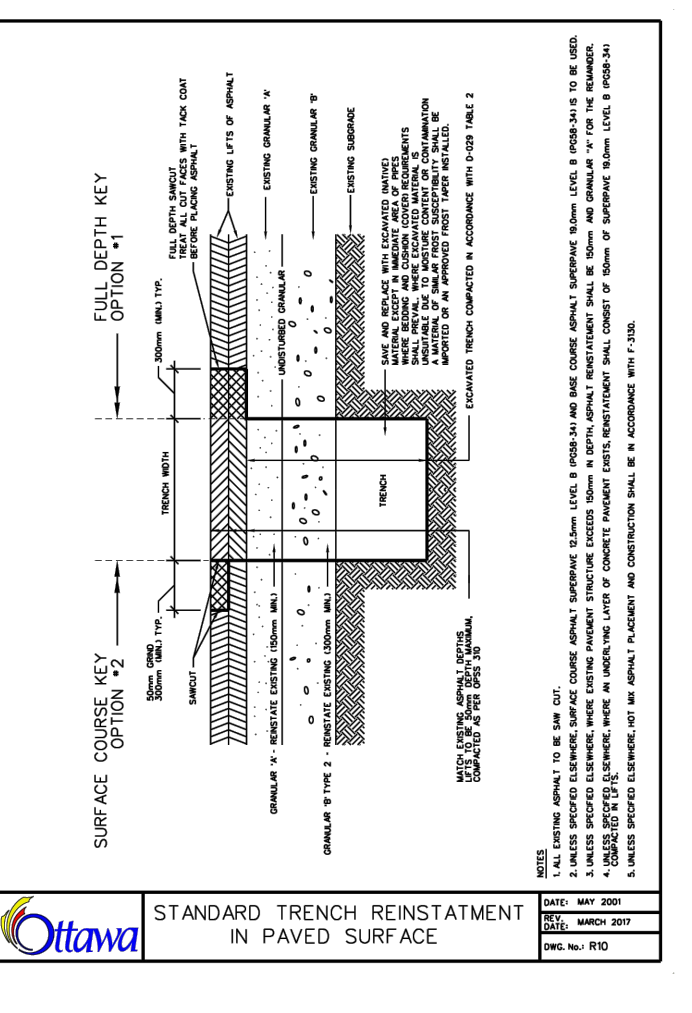
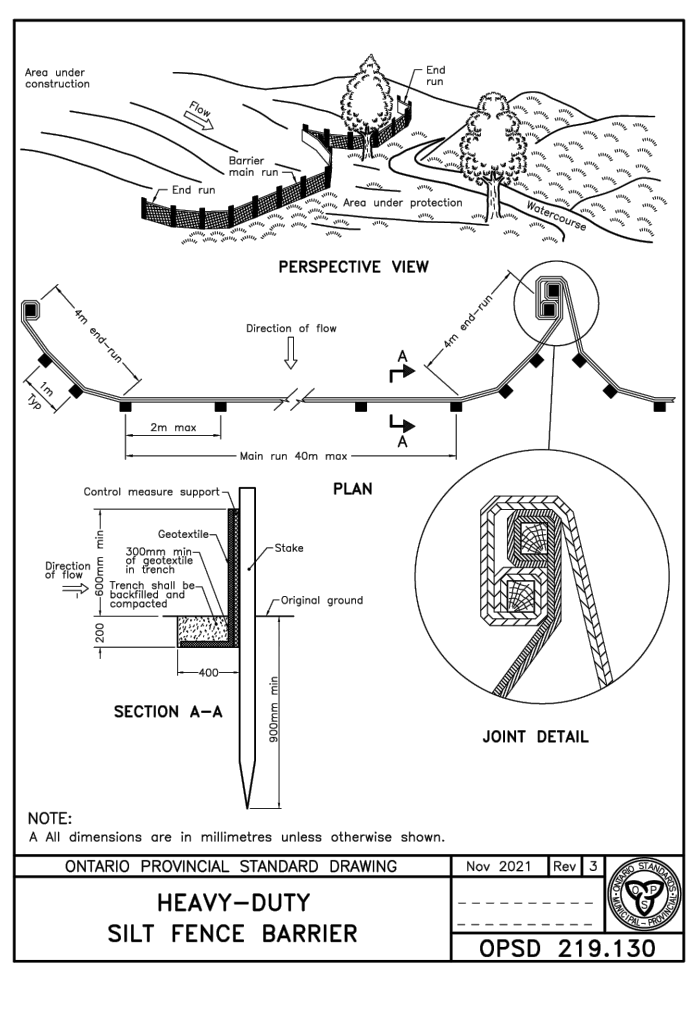
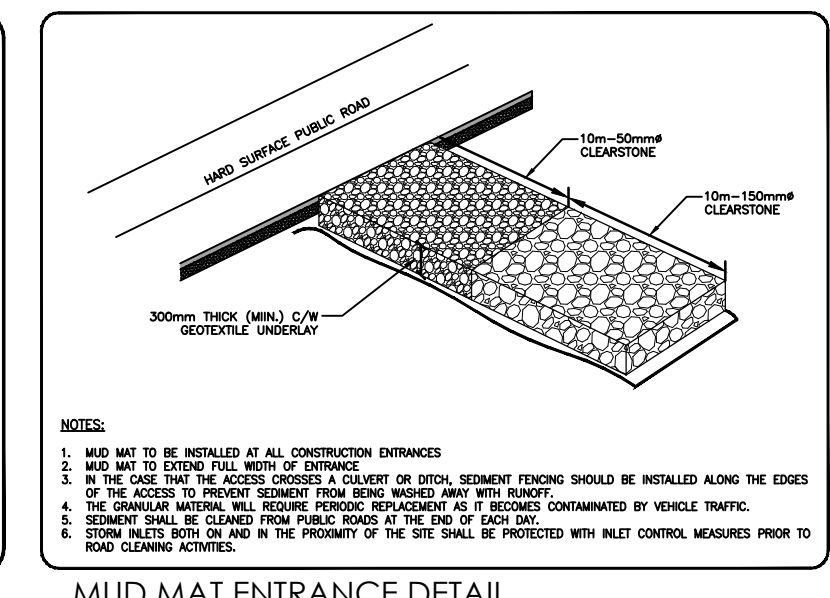
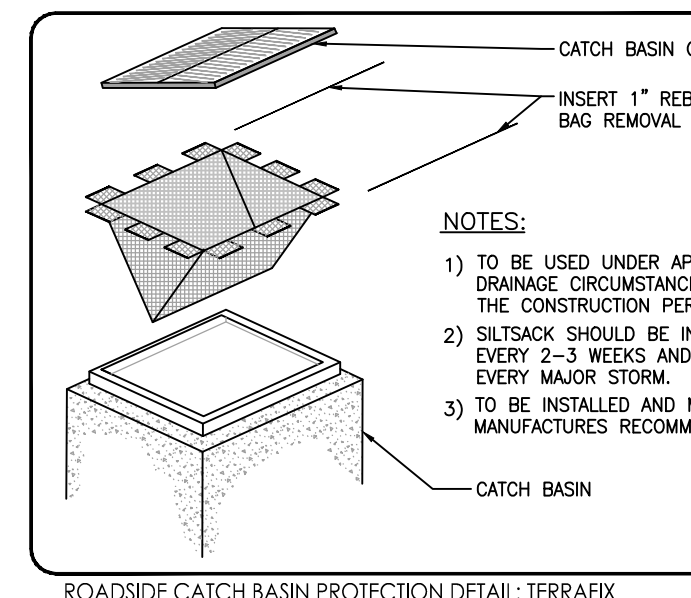
NOTES:
1. RATINGS SHOWN ARE FOR STANDARD 22" BAG DEPTH. "SHORT" 12" DEPTH BAGS ARE AVAILABLE WITH "S" SUFFIX. RATINGS REDUCED BY "50".
2. THE FOLLOWING REQUIRES ADDITIONAL REVIEW.
-GRATES WITH EXTENDED BOTTOMS
-ANY OBSTRUCTED INLET OPENINGS

FLEXSTORM PURE

APPROVED
By Kersten Nitsche at 10:20 am, Oct 02, 2024

Kersten Nitsche

KERSTEN NITSCHKE, MCIP RPP
MANAGER (A), DEVELOPMENT REVIEW WEST
PLANNING, DEVELOPMENT AND BUILDING SERVICES
DEPARTMENT, CITY OF OTTAWA



V:\160401511\Drawings\160401511-EB.dwg 22/08/2024 10:53 AM by: shary, whe