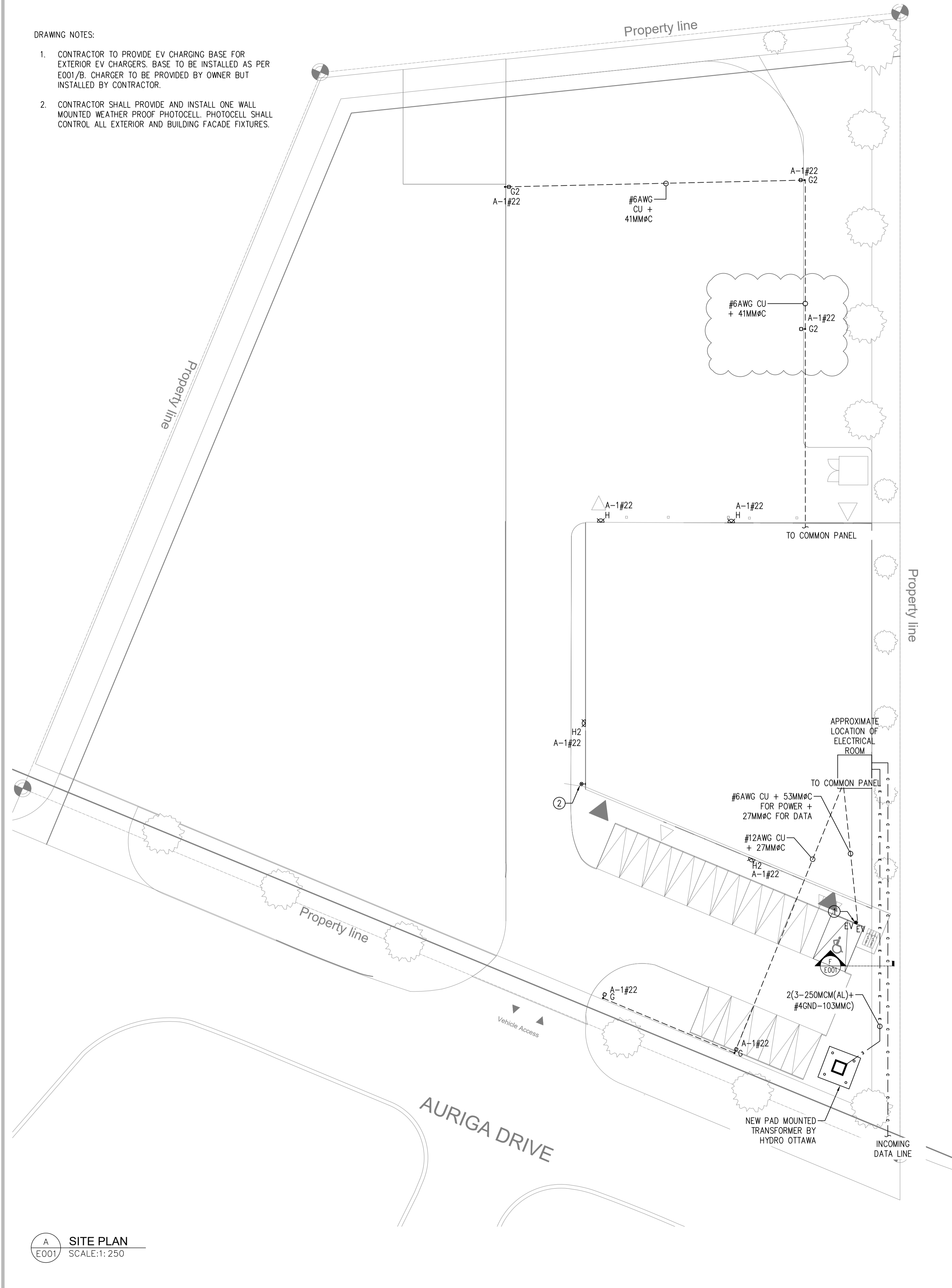
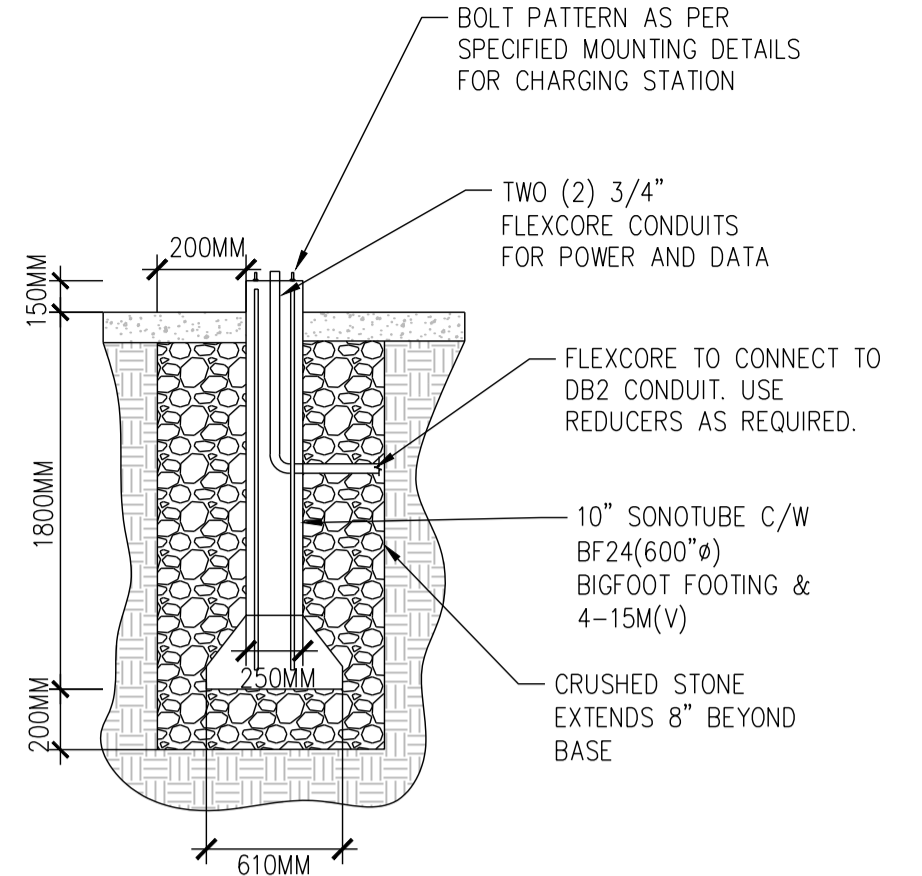


DRAWING NOTES:

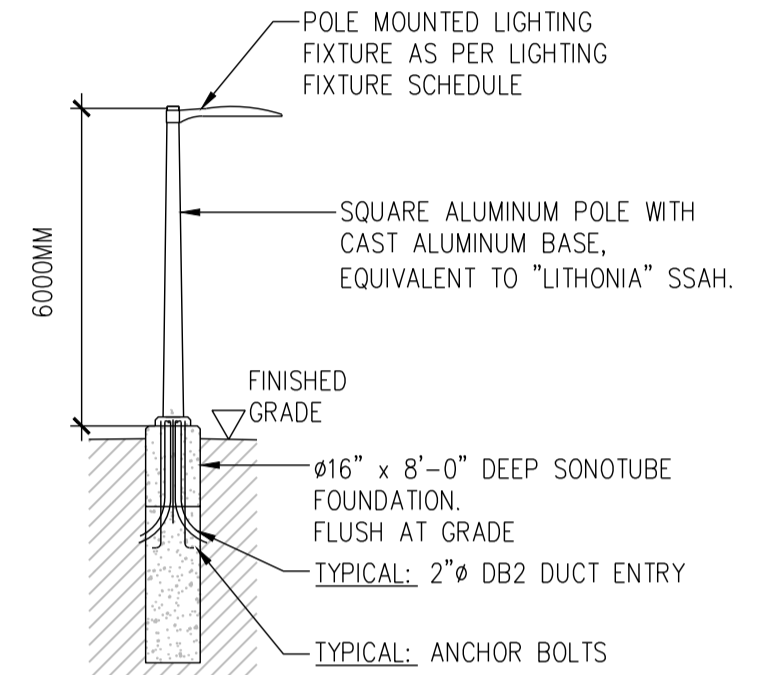
- CONTRACTOR TO PROVIDE EV CHARGING BASE FOR EXTERIOR EV CHARGERS. BASE TO BE INSTALLED AS PER E001/B. CHARGER TO BE PROVIDED BY OWNER BUT INSTALLED BY CONTRACTOR.
- CONTRACTOR SHALL PROVIDE AND INSTALL ONE WALL MOUNTED WEATHER PROOF PHOTOCELL. PHOTOCELL SHALL CONTROL ALL EXTERIOR AND BUILDING FACADE FIXTURES.



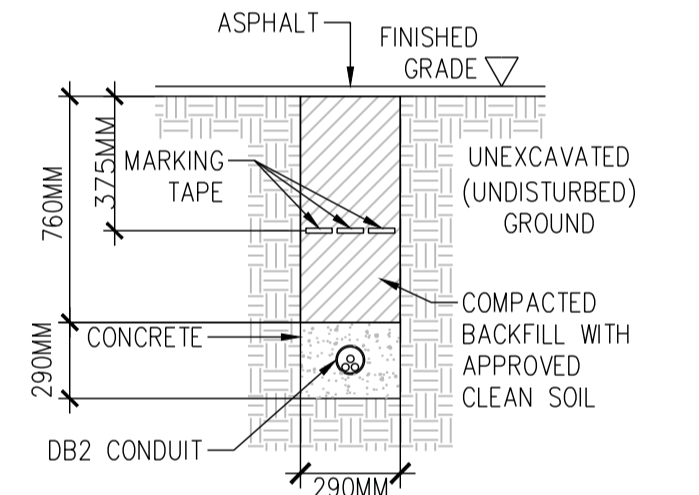
A SITE PLAN
SCALE: 1:250



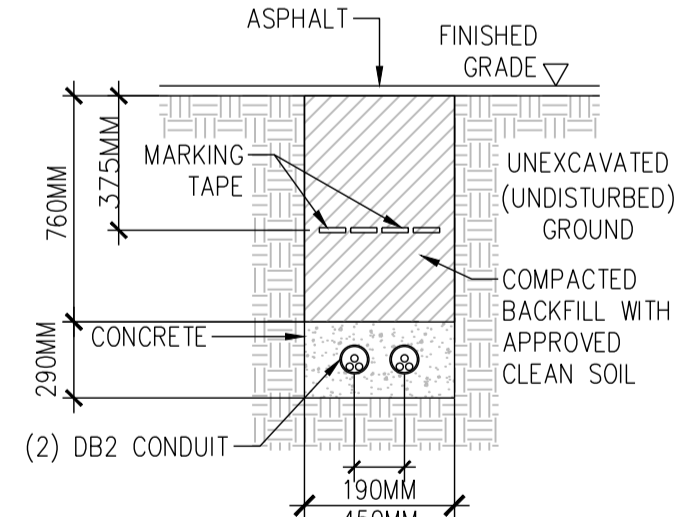
B EV CHARGING BASE
SCALE: N.T.S.



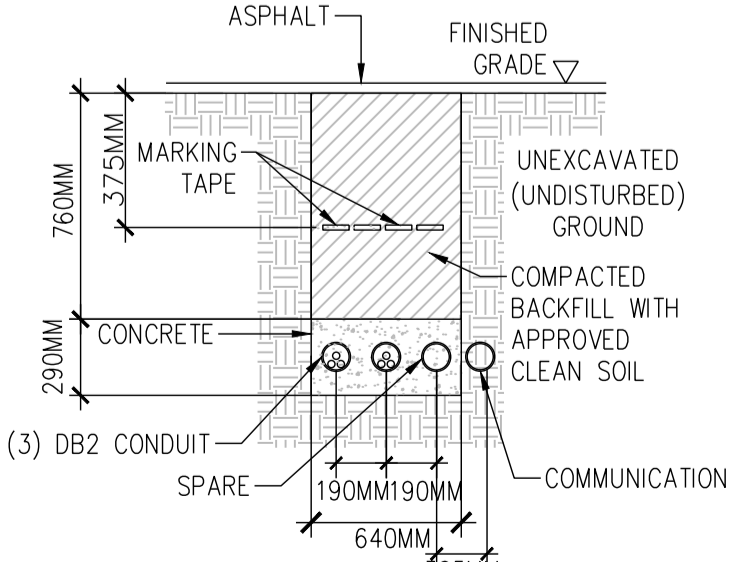
C LIGHT POLE BASE DETAIL
SCALE: N.T.S.



D 1-CONDUIT TRENCH DETAIL
SCALE: N.T.S.



E 2-CONDUIT TRENCH DETAIL
SCALE: N.T.S.



F 3-CONDUIT TRENCH DETAIL
SCALE: N.T.S.

POWER LEGEND

- ⊕ 15A, 125V DUPLEX RECEPTACLE
- ⊕ 15A, 125V GFI DUPLEX RECEPTACLE
- ⊕ 15A, 125V GFI DUPLEX RECEPTACLE COUNTERTOP
- ⊕ 15A, 125V GFI & WP DUPLEX RECEPTACLE
- ⊕ 15A, 125V DEDICATED CONNECTION
- ⊕ DIRECT CONNECTION
- ⊕ 50A, 250V RANGE OUTLET, 14-50R
- ⊕ 20A, 125V DUPLEX RECEPTACLE INSTALLED ABOVE COUNTER
- ⊕ 20A, 125V DUPLEX RECEPTACLE
- ⊕ 20A, 125V DUPLEX GFI COUNTERTOP RECEPTACLE
- ⊕ 15A, 125V RECEPTACLE FOR ISLAND

GENERAL ELECTRICAL LEGEND

- ⊕ MOTOR (1-PHASE)
- ⊕ DISCONNECT SWITCH
- ⊕ ELECTRICAL PANEL SURFACE/RECESSED

LIGHTING LEGEND

- ⊕ POT LIGHT
- ⊕ 2'x2' LED TROFFER LIGHTS
- ⊕ 3'x SIZABLE SUSPENDED STRIP LIGHTS
- ⊕ LED STRIP LIGHT
- ⊕ 2' VANITY LIGHT
- ⊕ 8\"/>

LIGHTING LEGEND

- ⊕ CEILING MOUNTED, ILLUMINATED EXIT LIGHT SHADING INDICATING FACE
- ⊕ ILLUMINATED EXIT SIGN, ARROWS INDICATE DIRECTION, SHADING INDICATING FACE
- ⊕ ILLUMINATED EXIT SIGN, DOUBLE FACED, ARROWS INDICATE DIRECTION, SHADING INDICATING FACE
- ⊕ ILLUMINATED DUAL DIRECTION EXIT SIGN, ARROWS INDICATE DIRECTION, SHADING INDICATING FACE
- ⊕ EMERGENCY LIGHTING DOUBLE REMOTE HEAD
- ⊕ EMERGENCY LIGHTING CEILING MOUNTED DOUBLE REMOTE HEAD
- ⊕ EMERGENCY LIGHTING, WALL MOUNTED SINGLE REMOTE HEAD
- ⊕ EMERGENCY LIGHTING, CEILING MOUNTED SINGLE REMOTE HEAD
- ⊕ EMERGENCY LIGHTING WITH BATTERY PACK, WALL MOUNTED
- ⊕ 15A SINGLE POLE SWITCH
- ⊕ 3-WAY SWITCH
- ⊕ DIMMER SWITCH
- ⊕ OCCUPANCY SWITCH
- ⊕ 3-WAY OCCUPANCY SWITCH
- ⊕ OCCUPANCY SENSOR
- ⊕ PHOTOCELL CONTROLLER
- ⊕ LOW VOLTAGE ROOM CONTROLLER

USE AND INTERPRETATION OF DRAWINGS

GENERAL CONDITIONS OF THE CONTRACT FOR CONSTRUCTION ARE PART OF THE CONTRACT DOCUMENTS AND DESCRIBE USE AND INTENT OF THE DRAWING. THE CONTRACT DOCUMENTS INCLUDE NOT ONLY THE DRAWINGS, BUT ALSO THE OWNER-CONTRACTOR AGREEMENTS, CONDITIONS OF THE CONTRACT, THE SPECIFICATIONS, ADDENDA, AND MODIFICATIONS ISSUED AFTER EXECUTION OF THE CONTRACT. THESE CONTRACT DOCUMENTS ARE COMPLEMENTARY, AND WHAT IS REQUIRED BY ANY ONE SHALL BE BINDING AS IF REQUIRED BY ALL. WORK NOT COMPLETELY DELINEATED HEREON SHALL BE CONSTRUCTED OF THE SAME MATERIALS AND DETAILED SIMILARLY AS WORK SHOWN MORE COMPLETELY ELSEWHERE IN THE CONTRACT DOCUMENTS.

BY USE OF THE DRAWINGS FOR CONSTRUCTION OF THE PROJECT, THE OWNER CONFIRMS THAT HE HAS REVIEWED AND APPROVED THE DRAWINGS. THE CONTRACTOR CONFIRMS THAT HE HAS VISITED THE SITE, FAMILIARIZED HIMSELF WITH THE LOCAL CONDITIONS, VERIFIED FIELD DIMENSIONS AND CORRELATED HIS OBSERVATIONS WITH THE REQUIREMENTS OF THE CONTRACT DOCUMENTS.

AS INSTRUMENTS OF SERVICE, ALL DRAWINGS, SPECIFICATIONS, CAD FILES OR OTHER ELECTRONIC MEDIA AND COPIES THERE OF FURNISHED BY THE ENGINEER ARE HIS PROPERTY. THEY ARE TO BE USED ONLY FOR THIS PROJECT AND ARE NOT TO BE USED ON ANY OTHER PROJECT, INCLUDING REPEATS OF THE PROJECT. CHANGES TO THE DRAWINGS MAY ONLY BE MADE BY THE ENGINEER.

UNLESS THE REVISION TITLE IS ISSUED FOR CONSTRUCTION, THESE DRAWINGS SHALL BE CONSIDERED PRELIMINARY AND SHALL NOT BE USED AS A CONSTRUCTION DOCUMENT.

THESE DRAWINGS ILLUSTRATE THE WORK TO BE DONE. THE ENGINEER IS NOT RESPONSIBLE FOR THE MEANS, METHODS, TECHNIQUES, SEQUENCES, AND PROCEDURES USED TO DO THE WORK, OR THE SAFETY ASPECTS OF CONSTRUCTION, AND NOTHING ON THESE DRAWINGS EXPRESSED OR IMPLIED CHANGES THIS CONDITION. CONTRACTOR SHALL DETERMINE ALL CONDITIONS AT THE SITE AND SHALL BE RESPONSIBLE FOR KNOWING HOW THEY AFFECT THE WORK. SUBMITTAL OF A BID TO PERFORM THIS WORK IS ACKNOWLEDGEMENT OF THE RESPONSIBILITIES, AND THAT THEY HAVE BEEN FULLY CONSIDERED IN PLANNING OF THE WORK, AND THE BID PRICE. NO CLAIMS FOR EXTRA CHARGES DUE TO THESE CONDITIONS WILL BE FORTHCOMING.

UNAUTHORIZED CHANGES:

IN THE EVENT THE CLIENT, THE CLIENT'S CONTRACTORS OR SUBCONTRACTORS, OR ANYONE FOR WHOM THE CLIENT IS LEGALLY LIABLE MAKES OR PERMITS TO BE MADE ANY CHANGES TO ANY REPORTS, PLANS, SPECIFICATIONS OR OTHER CONSTRUCTION DOCUMENTS PREPARED BY LRL ASSOCIATES LTD. (LRL) WITHOUT OBTAINING LRL'S PRIOR WRITTEN CONSENT, THE CLIENT SHALL ASSUME FULL RESPONSIBILITY FOR THE RESULTS OF SUCH CHANGES. THEREFORE THE CLIENT AGREES TO WAIVE ANY CLAIM AGAINST LRL AND TO RELEASE LRL FROM ANY LIABILITY ARISING DIRECTLY OR INDIRECTLY FROM SUCH UNAUTHORIZED CHANGES.

IN ADDITION, THE CLIENT AGREES, TO THE FULLEST EXTENT PERMITTED BY LAW, TO INDEMNIFY AND HOLD HARMLESS LRL FROM ANY DAMAGES, LIABILITIES OR COST, INCLUDING REASONABLE ATTORNEY'S FEES AND COST OF DEFENSE, ARISING FROM SUCH CHANGES.

IN ADDITION, THE CLIENT AGREES TO INCLUDE IN ANY CONTRACTS FOR CONSTRUCTION APPROPRIATE LANGUAGE THAT PROHIBITS THE CONTRACTOR OR ANY SUBCONTRACTORS OF ANY TIER FROM MAKING ANY CHANGES OR MODIFICATIONS TO LRL'S CONSTRUCTION DOCUMENTS WITHOUT THE PRIOR WRITTEN APPROVAL OF LRL AND THAT FURTHER REQUIRES THE CONTRACTOR TO INDEMNIFY BOTH LRL AND THE CLIENT FROM ANY LIABILITY OR COST ARISING FROM SUCH CHANGES MADE WITHOUT SUCH PROPER AUTHORIZATION.

GENERAL NOTES:

EXISTING SERVICES AND UTILITIES SHOWN ON THESE DRAWINGS ARE TAKEN FROM THE BEST AVAILABLE RECORDS, BUT MAY NOT BE COMPLETE OR TO DATE. CONTRACTOR SHALL VERIFY IN FIELD FOR LOCATION AND DEPTH OF PIPES AND CHECK WITH THE UTILITY COMPANIES BEFORE DIGGING OR PERFORMING WORK.

CONTRACTOR IS ADVISED TO COLLECT INFORMATION ON SOIL CONDITIONS BEFORE START OF CONSTRUCTION.

THE ENGINEER WAIVES ANY AND ALL RESPONSIBILITY AND LIABILITY FOR PROBLEMS WHICH ARISE FROM FAILURE TO FOLLOW THESE PLANS, SPECIFICATIONS AND THE DESIGN INTENT THEY CONVEY, OR FOR PROBLEMS WHICH ARISE FROM OTHERS' FAILURE TO OBTAIN AND/OR FOLLOW THE ENGINEER'S GUIDANCE WITH RESPECT TO ANY ERRORS, OMISSIONS, INCONSISTENCIES, AMBIGUITIES OR CONFLICTS WHICH ARE ALLEGED.

CONTRACTOR TO VERIFY ALL DIMENSIONS AND NOTIFY THE ENGINEER OF ANY DISCREPANCIES BEFORE WORK COMMENCES. DO NOT SCALE DRAWINGS.

No.	REVISIONS	BY	DATE
04	ISSUED FOR SITE PLAN APPROVAL	K.E.	MAY. 01, 2023
03	ISSUED FOR PERMIT	K.E.	JAN. 16, 2023
02	ISSUED FOR 90% REVIEW	K.E.	DEC. 23, 2022
01	ISSUED FOR 66% REVIEW	K.E.	NOV. 14, 2022

NOT AUTHENTIC UNLESS SIGNED AND DATED

LRL
ENGINEERING | INGENIERIE
5430 Canotek Road | Ottawa, ON, K1J 9G2
www.lrl.ca | (613) 842-3434

CLIENT: **ROSSMANN ARCHITECTS INC.**

DESIGNED BY: E.B. DRAWN BY: K.E. APPROVED BY: M.T.

PROJECT: **ENGINEERING SERVICES FOR NEW INDUSTRIAL BUILDING 30 AURIGA DRIVE, OTTAWA, ONTARIO**

DRAWING TITLE: **ELECTRICAL SITE PLAN & DRAWING LEGEND**

PROJECT NO.: **220471 E001**