

PROJET | PAYSAGE

24 Mont-Royal O. Bureau 801 Montréal Québec H2T 2S2
T: 514.849.7700 F: 514.849.2027 info@projetpaysage.com

CLIENT:



PROJECT:

2026 SCOTT ROAD

LANDSCAPE ARCHITECTURE

SHEET	TITLE	SCALE
AP-10	SITE PLAN	1:150
AP-20	LANDSCAPE PLAN AND GRADING	1:150
AP-30	PLANTING PLAN	1:150
AP-50	CONSTRUCTION DETAILS	VARIABLE
AP-51	CONSTRUCTION DETAILS	VARIABLE
AP-52	PLANTING DETAILS	VARIABLE

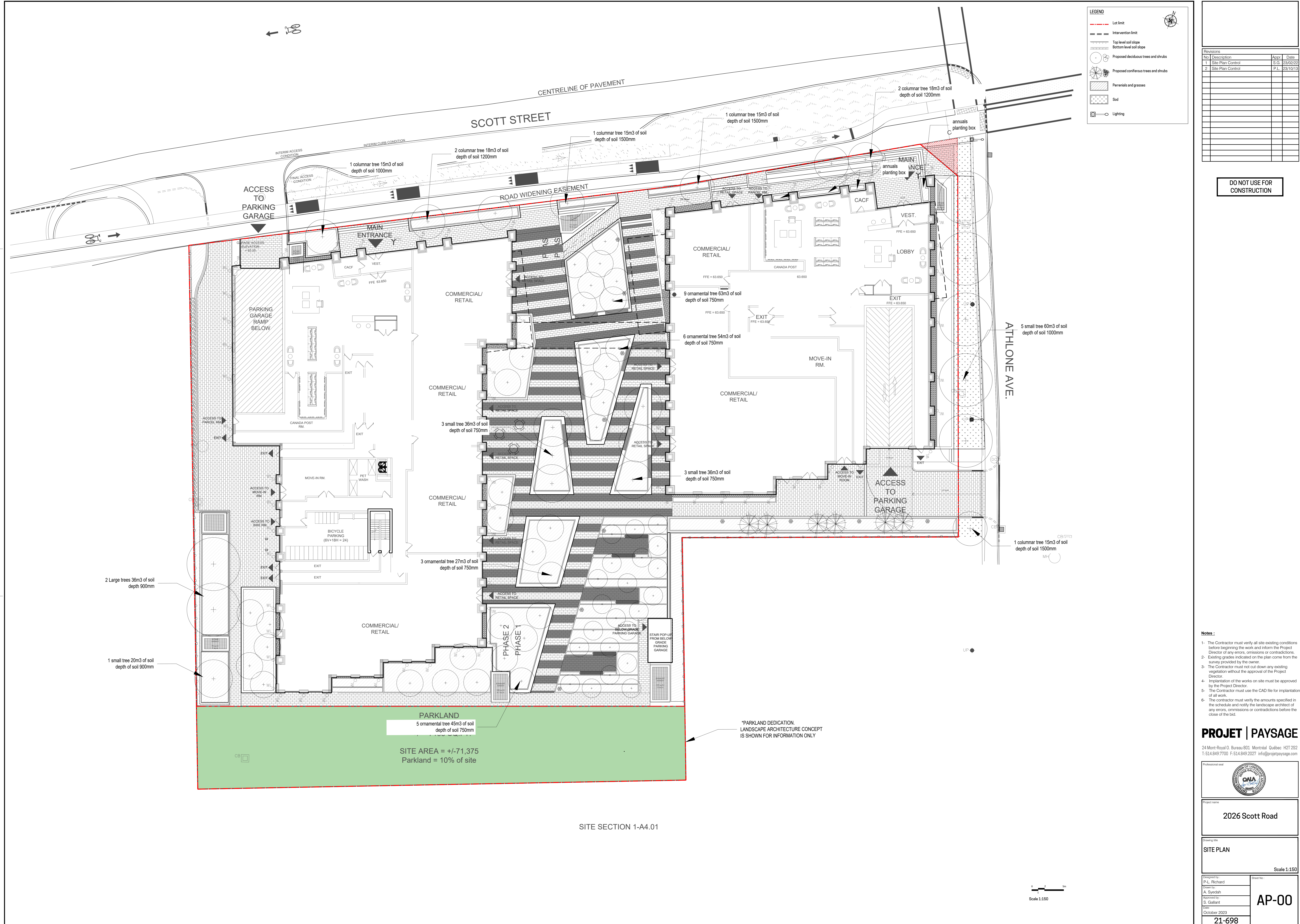
In collaboration with:

Architecture

Civil Eng.

Urban Planning





LEGEND

- Lot limit
- Intervention limit
- Top level soil slope
- Bottom level soil slope
- Proposed deciduous trees and shrubs
- Proposed coniferous trees and shrubs
- Perennials and grasses
- Sod
- Lighting

Revisions

No.	Description	Appr.	Date
1	Site Plan Control	S.G.	23/02/22
2	Site Plan Control	P.L.	23/10/13

DO NOT USE FOR CONSTRUCTION

- Notes :**
- The Contractor must verify all site existing conditions before beginning the work and inform the Project Director of any errors, omissions or contradictions.
 - Existing grades indicated on the plan come from the survey provided by the owner.
 - The Contractor must not cut down any existing vegetation without the approval of the Project Director.
 - Implementation of the works on site must be approved by the Project Director.
 - The Contractor must use the CAD file for implementation of all work.
 - The contractor must verify the amounts specified in the schedule and notify the landscape architect of any errors, omissions or contradictions before the close of the bid.

PROJET | PAYSAGE
 24 Mont-Royal O. Bureau 801 Montréal Québec H2T 2S2
 T: 514.849.7700 F: 514.849.2027 info@projetpaysage.com



Project name
2026 Scott Road

Drawing title
SITE PLAN

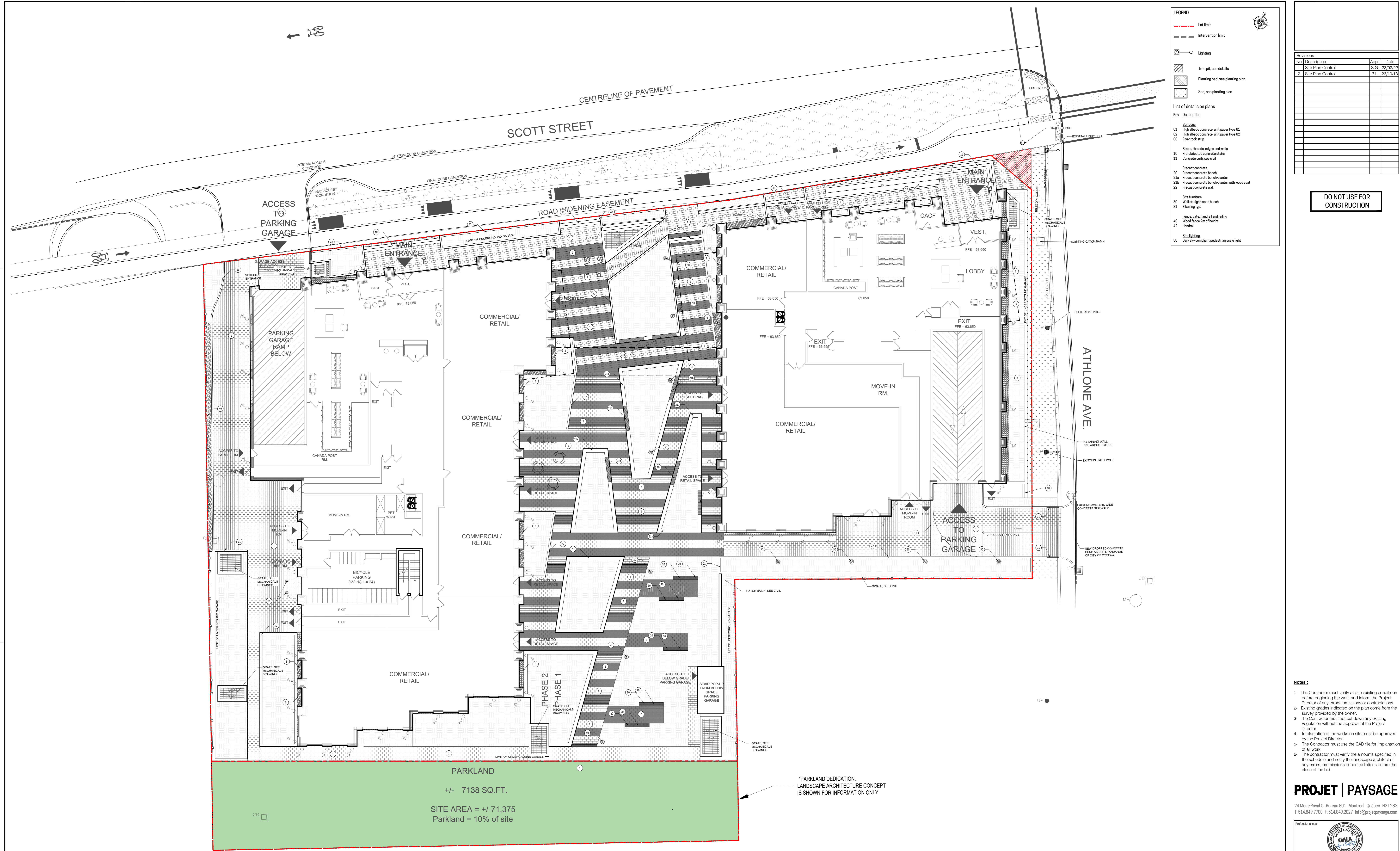
Scale 1:150

Designed by
 P.L. Richard
 Project by
 A. Syedah
 Approved by
 S. Gallant
 Date
 October 2023

Draw No.
AP-00

21-698

SITE SECTION 1-A4.01



LEGEND

- Lot limit
- Intervention limit
- Lighting
- Tree pit, see details
- Planting bed, see planting plan
- Soil, see planting plan

List of details on plans

Key

Key	Description
01	Surfaces
02	High albedo concrete unit paver type 01
03	High albedo concrete unit paver type 02
04	River rock strip
05	Stairs, threads, edges and walls
06	Prefabricated concrete stairs
07	Concrete curb, new civil
08	Precast concrete
09	Precast concrete bench
10	Precast concrete bench-planter
11	Precast concrete bench-planter with wood seat
12	Precast concrete wall
13	Site furniture
14	Wall straight wood bench
15	Bike ring typ.
16	Fence, gate, handrail and railing
17	Wood fence 2m of height
18	Handrail
19	Site lighting
20	Dark sky compliant pedestrian scale light

Revisions

No.	Description	Appr.	Date
1	Site Plan Control	S.G.	23/02/22
2	Site Plan Control	P.L.	23/10/13

DO NOT USE FOR CONSTRUCTION

- Notes :**
- The Contractor must verify all site existing conditions before beginning the work and inform the Project Director of any errors, omissions or contradictions.
 - Existing grades indicated on the plan come from the survey provided by the owner.
 - The Contractor must not cut down any existing vegetation without the approval of the Project Director.
 - Implementation of the works on site must be approved by the Project Director.
 - The Contractor must use the CAD file for implementation of all work.
 - The contractor must verify the amounts specified in the schedule and notify the landscape architect of any errors, omissions or contradictions before the close of the bid.

PROJET | PAYSAGE
 24 Mont-Royal O. Bureau 801 Montréal Québec H2T 2S2
 T: 514.849.7700 F: 514.849.2027 info@projetpaysage.com



Project name
2026 Scott Road

Drawing title
LANDSCAPE PLAN AND GRADING

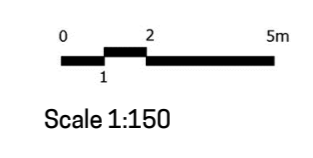
Scale 1:150

Designed by
 P.L. Richard
 Identity
 A. Syedah
 Approving
 S. Gallant
 Date
 October 2023

Sheet No.
AP-20

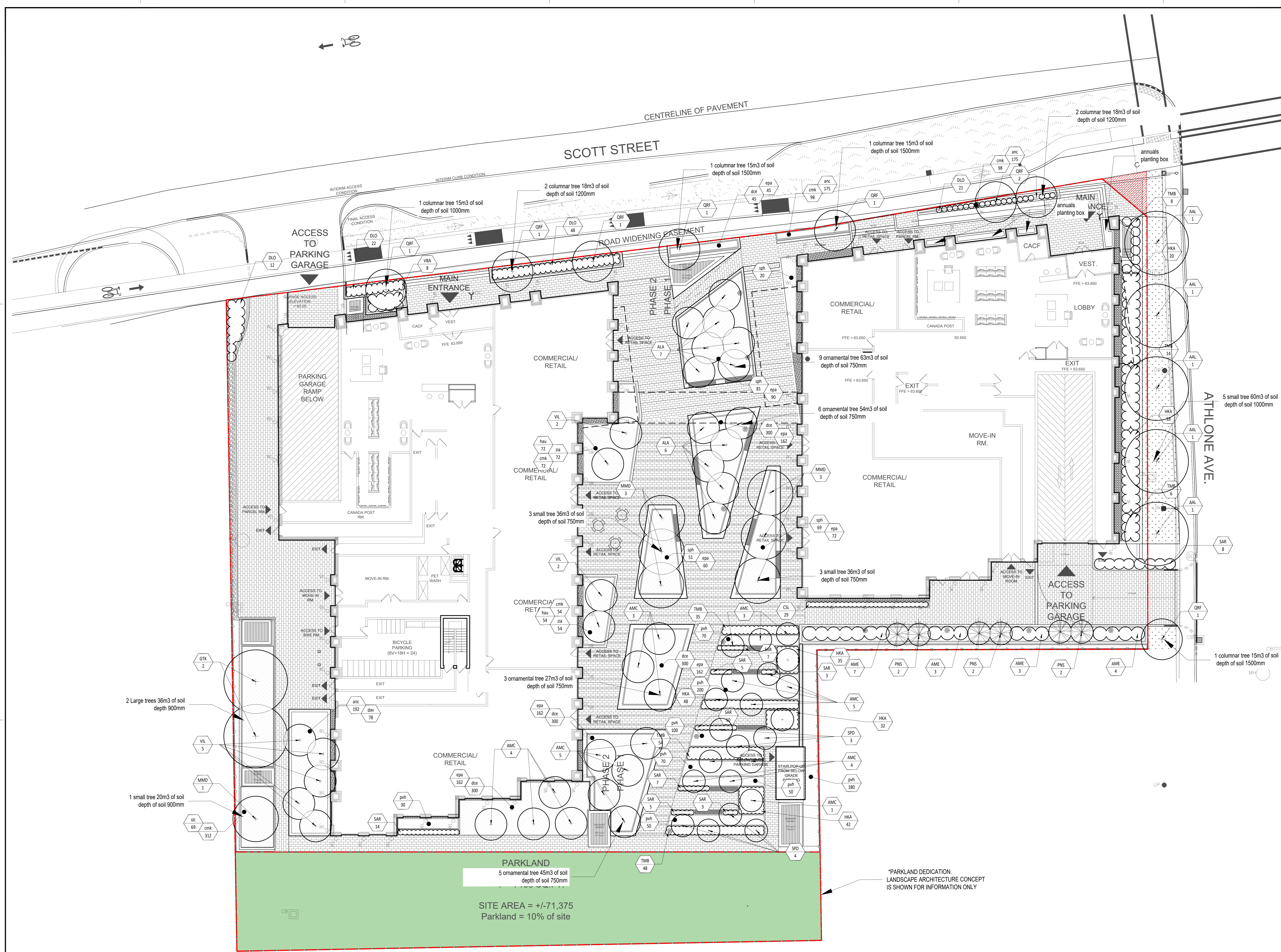
21-698

SITE SECTION 1-A4.01



PARKLAND
 +/- 7138 SQ.FT.
 SITE AREA = +/-71,375
 Parkland = 10% of site

*PARKLAND DEDICATION.
 LANDSCAPE ARCHITECTURE CONCEPT
 IS SHOWN FOR INFORMATION ONLY



LEGEND

- Lot limit
- Intervention limit
- Proposed deciduous trees and shrubs
- Proposed coniferous trees and shrubs
- Perennials and grasses
- Soil
- Planting key

PLANTING LIST

No.	Qty.	Latin Name/Reference Name	Caliper	Distance	File
DECIDUOUS TREE					
010	7	Mulder Maple	80-100mm		see plan
011	4	Spencer chestnut	80-100mm		see plan
012	2	London Plane	80-100mm		see plan
DECIDUOUS SHRUB					
AAL 1	1	Asteradebale	400mm		see plan
AAL 2	1	Asteradebale	400mm		see plan
AAL 3	1	Asteradebale	400mm		see plan
AAL 4	1	Asteradebale	400mm		see plan
AAL 5	1	Asteradebale	400mm		see plan
AAL 6	1	Asteradebale	400mm		see plan
AAL 7	1	Asteradebale	400mm		see plan
AAL 8	1	Asteradebale	400mm		see plan
AAL 9	1	Asteradebale	400mm		see plan
AAL 10	1	Asteradebale	400mm		see plan
AAL 11	1	Asteradebale	400mm		see plan
AAL 12	1	Asteradebale	400mm		see plan
AAL 13	1	Asteradebale	400mm		see plan
AAL 14	1	Asteradebale	400mm		see plan
AAL 15	1	Asteradebale	400mm		see plan
AAL 16	1	Asteradebale	400mm		see plan
AAL 17	1	Asteradebale	400mm		see plan
AAL 18	1	Asteradebale	400mm		see plan
AAL 19	1	Asteradebale	400mm		see plan
AAL 20	1	Asteradebale	400mm		see plan
AAL 21	1	Asteradebale	400mm		see plan
AAL 22	1	Asteradebale	400mm		see plan
AAL 23	1	Asteradebale	400mm		see plan
AAL 24	1	Asteradebale	400mm		see plan
AAL 25	1	Asteradebale	400mm		see plan
AAL 26	1	Asteradebale	400mm		see plan
AAL 27	1	Asteradebale	400mm		see plan
AAL 28	1	Asteradebale	400mm		see plan
AAL 29	1	Asteradebale	400mm		see plan
AAL 30	1	Asteradebale	400mm		see plan
AAL 31	1	Asteradebale	400mm		see plan
AAL 32	1	Asteradebale	400mm		see plan
AAL 33	1	Asteradebale	400mm		see plan
AAL 34	1	Asteradebale	400mm		see plan
AAL 35	1	Asteradebale	400mm		see plan
AAL 36	1	Asteradebale	400mm		see plan
AAL 37	1	Asteradebale	400mm		see plan
AAL 38	1	Asteradebale	400mm		see plan
AAL 39	1	Asteradebale	400mm		see plan
AAL 40	1	Asteradebale	400mm		see plan
AAL 41	1	Asteradebale	400mm		see plan
AAL 42	1	Asteradebale	400mm		see plan
AAL 43	1	Asteradebale	400mm		see plan
AAL 44	1	Asteradebale	400mm		see plan
AAL 45	1	Asteradebale	400mm		see plan
AAL 46	1	Asteradebale	400mm		see plan
AAL 47	1	Asteradebale	400mm		see plan
AAL 48	1	Asteradebale	400mm		see plan
AAL 49	1	Asteradebale	400mm		see plan
AAL 50	1	Asteradebale	400mm		see plan
PERENNIALS AND GRASSES					
015	1	Stylosanthes sp.	100mm		see plan
016	1	Stylosanthes sp.	100mm		see plan
SOIL					
017	1	Soil			see plan
PLANTING KEY					
018	1	Planting key			see plan

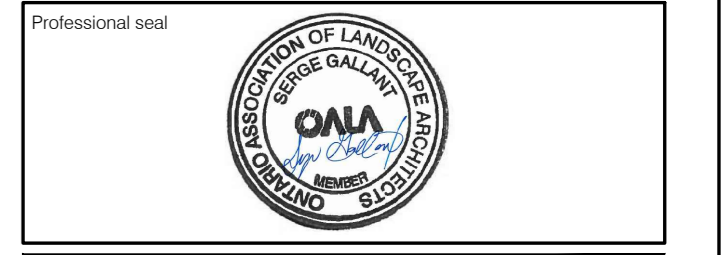
Revisions

No.	Description	Appr.	Date
1	Site Plan Control	S.G.	23/02/22
2	Site Plan Control	P.L.	23/10/13

DO NOT USE FOR CONSTRUCTION

- Notes:
- The Contractor must verify all site existing conditions before beginning the work and inform the Project Director of any errors, omissions or contradictions.
 - Existing grades indicated on the plan come from the survey provided by the owner.
 - The Contractor must not cut down any existing vegetation without the approval of the Project Director.
 - Implementation of the works on site must be approved by the Project Director.
 - The Contractor must use the CAD file for implementation of all work.
 - The contractor must verify the amounts specified in the schedule and notify the landscape architect of any errors, omissions or contradictions before the close of the bid.

PROJET | PAYSAGE
 24 Mont-Royal O. Bureau 801 Montréal Québec H2T 2S2
 T: 514.849.7700 F: 514.849.2027 info@projetpaysage.com



Project name
2026 Scott Road

Drawing title
PLANTING PLAN

Scale 1:150

Designed by
P.L. Richard

Project
A. Syedah

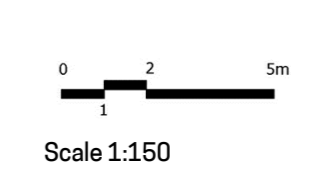
Approved by
S. Gallant

Date
October 2023

Draw No.
AP-30

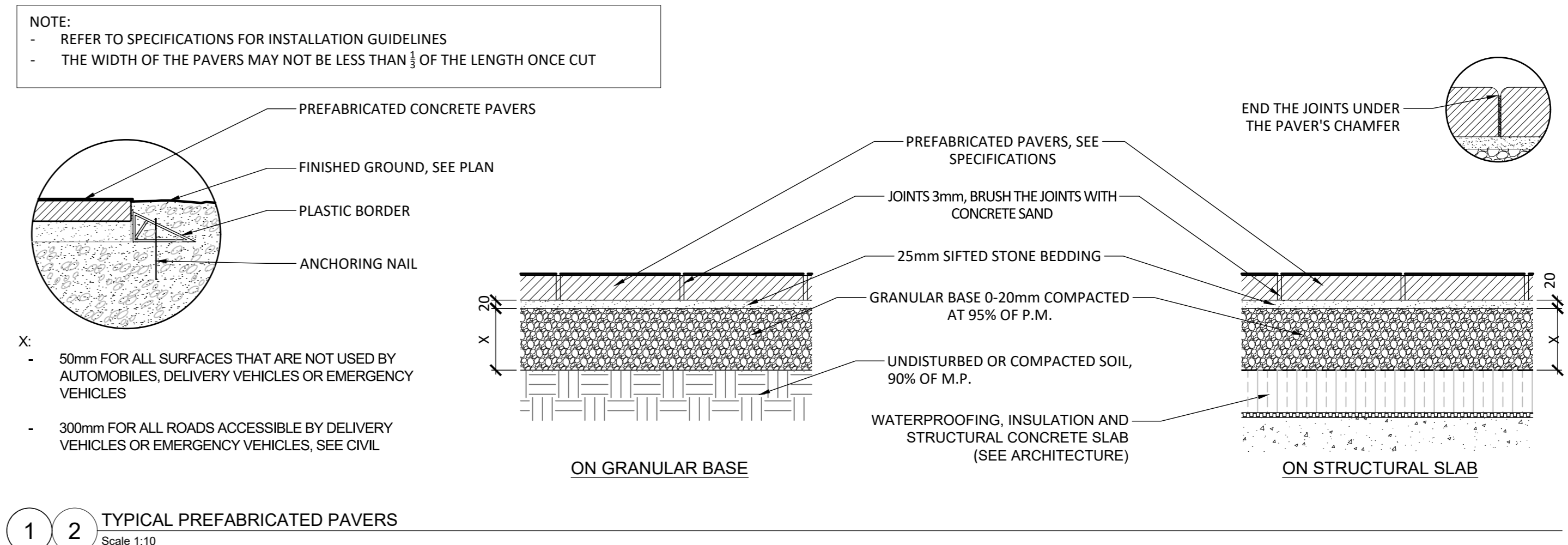
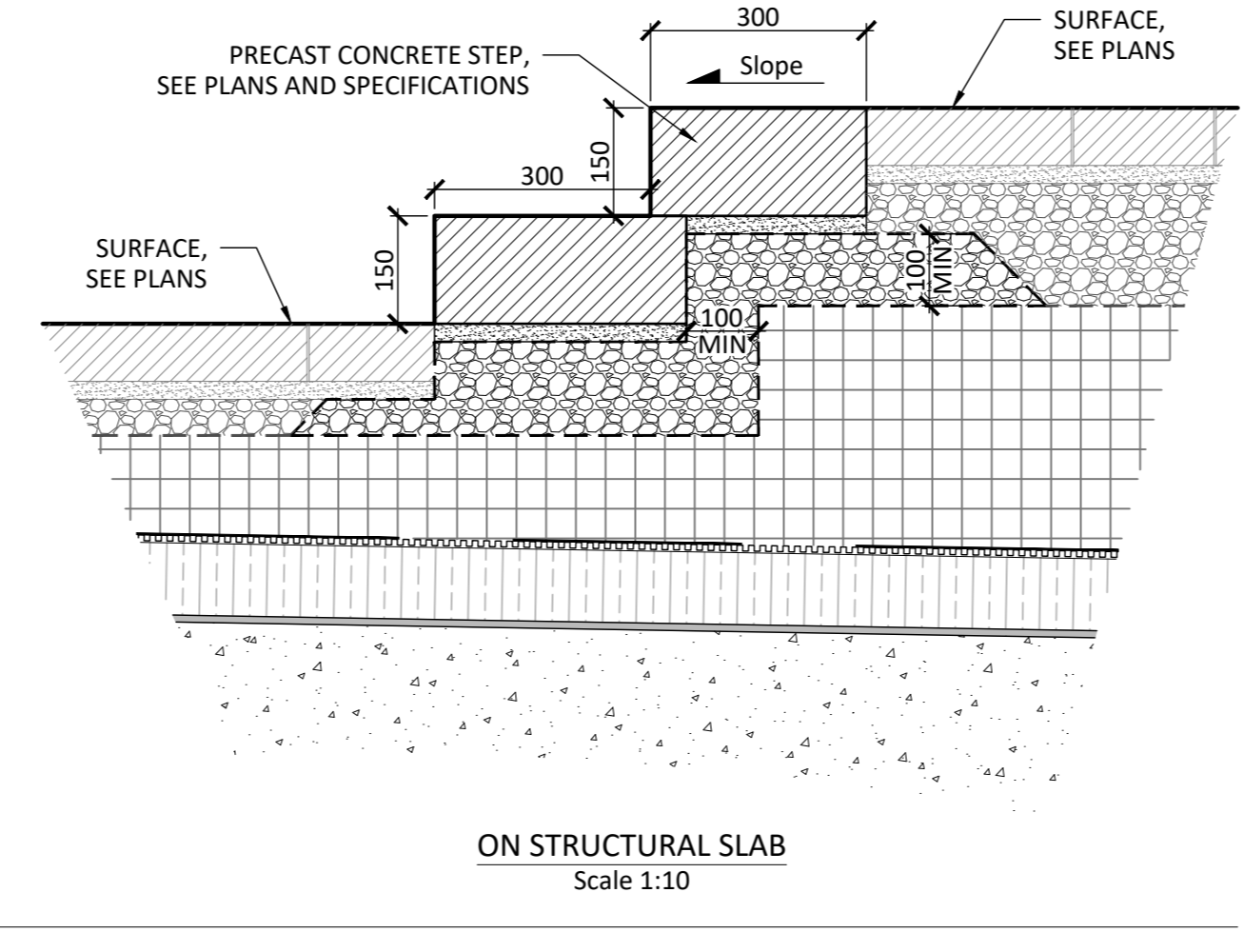
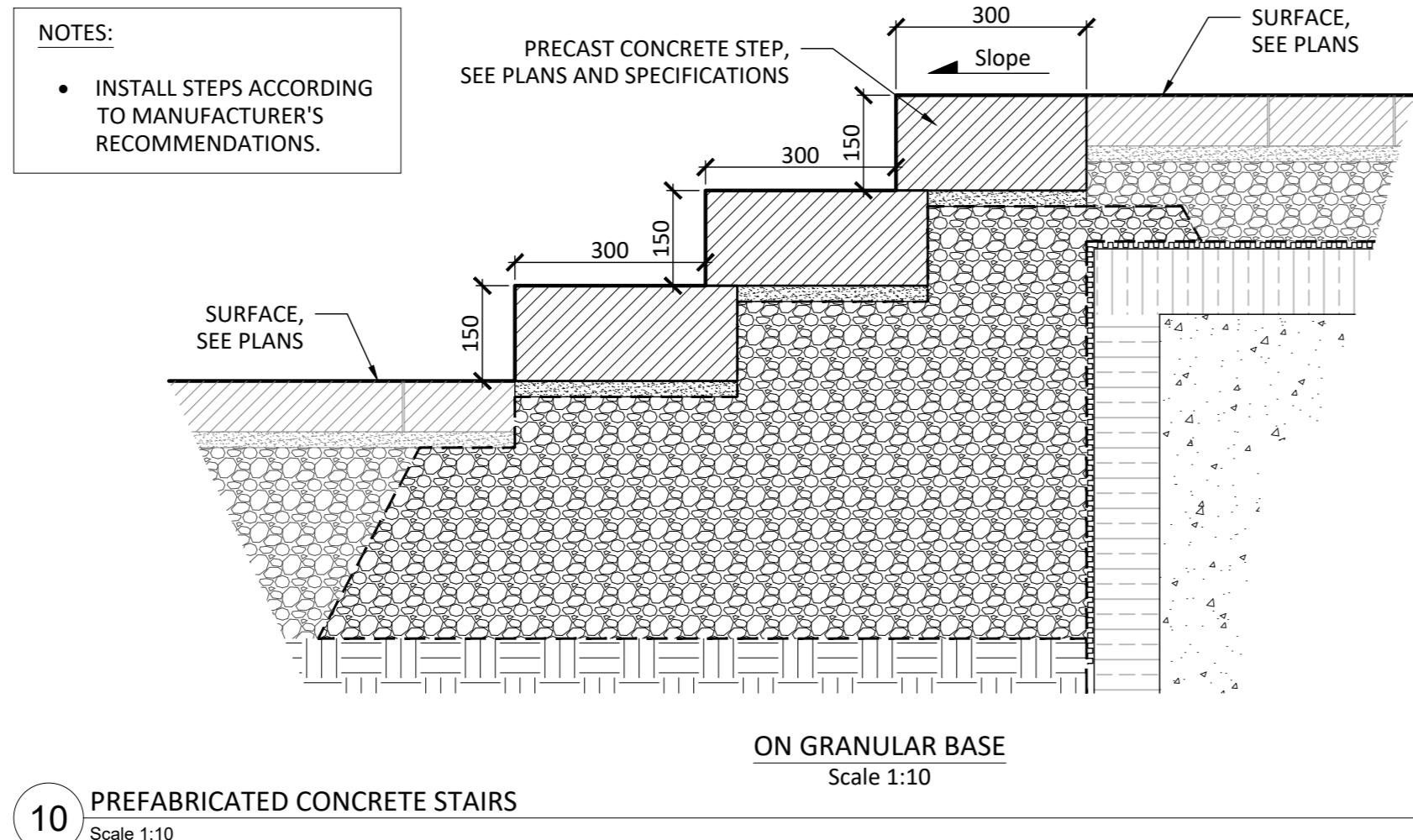
Sheet No.
21-698

SITE SECTION 1-A4.01



SITE AREA = +/-71,375
 Parkland = 10% of site

*PARKLAND DEDICATION:
 LANDSCAPE ARCHITECTURE CONCEPT
 IS SHOWN FOR INFORMATION ONLY

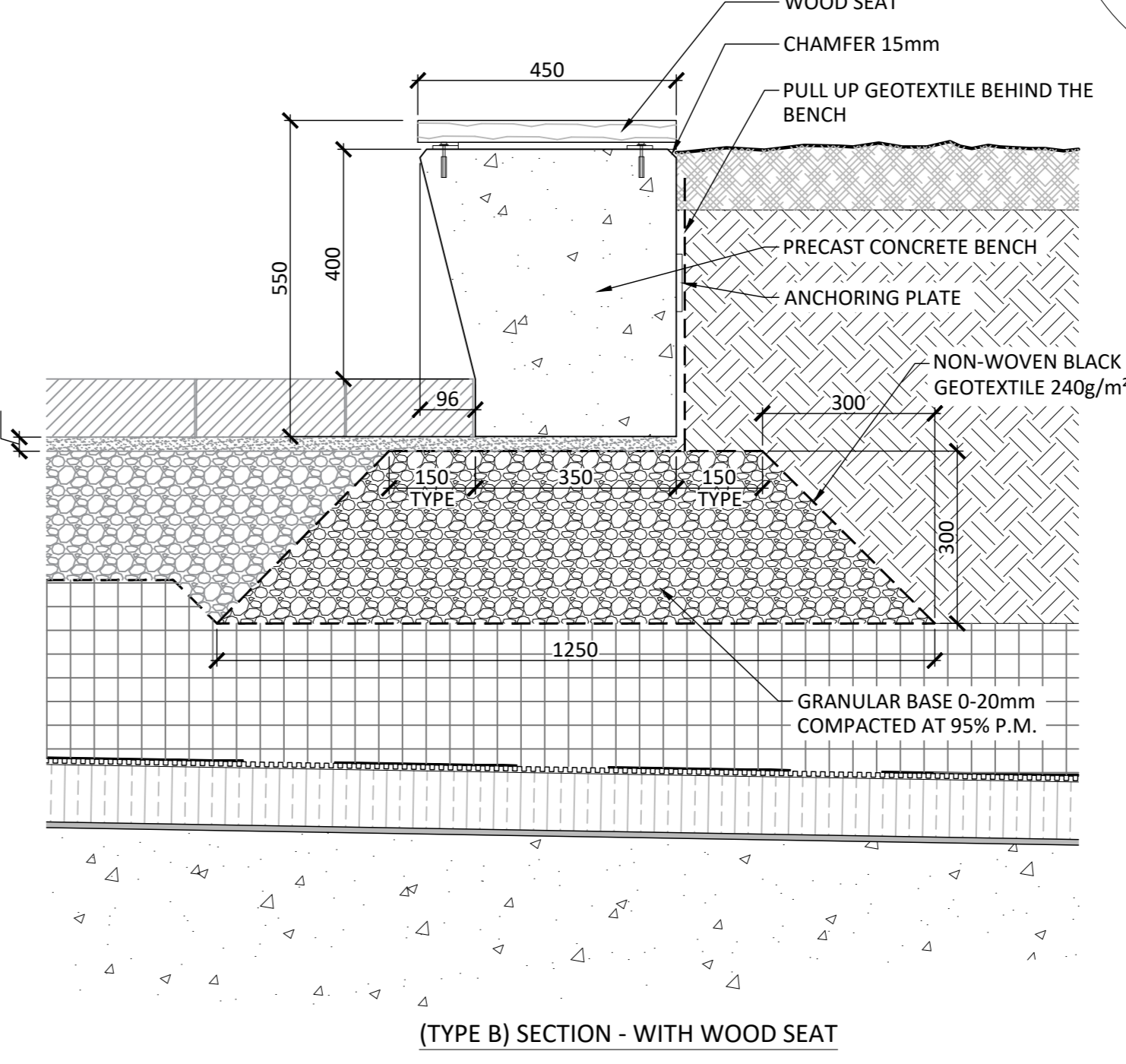
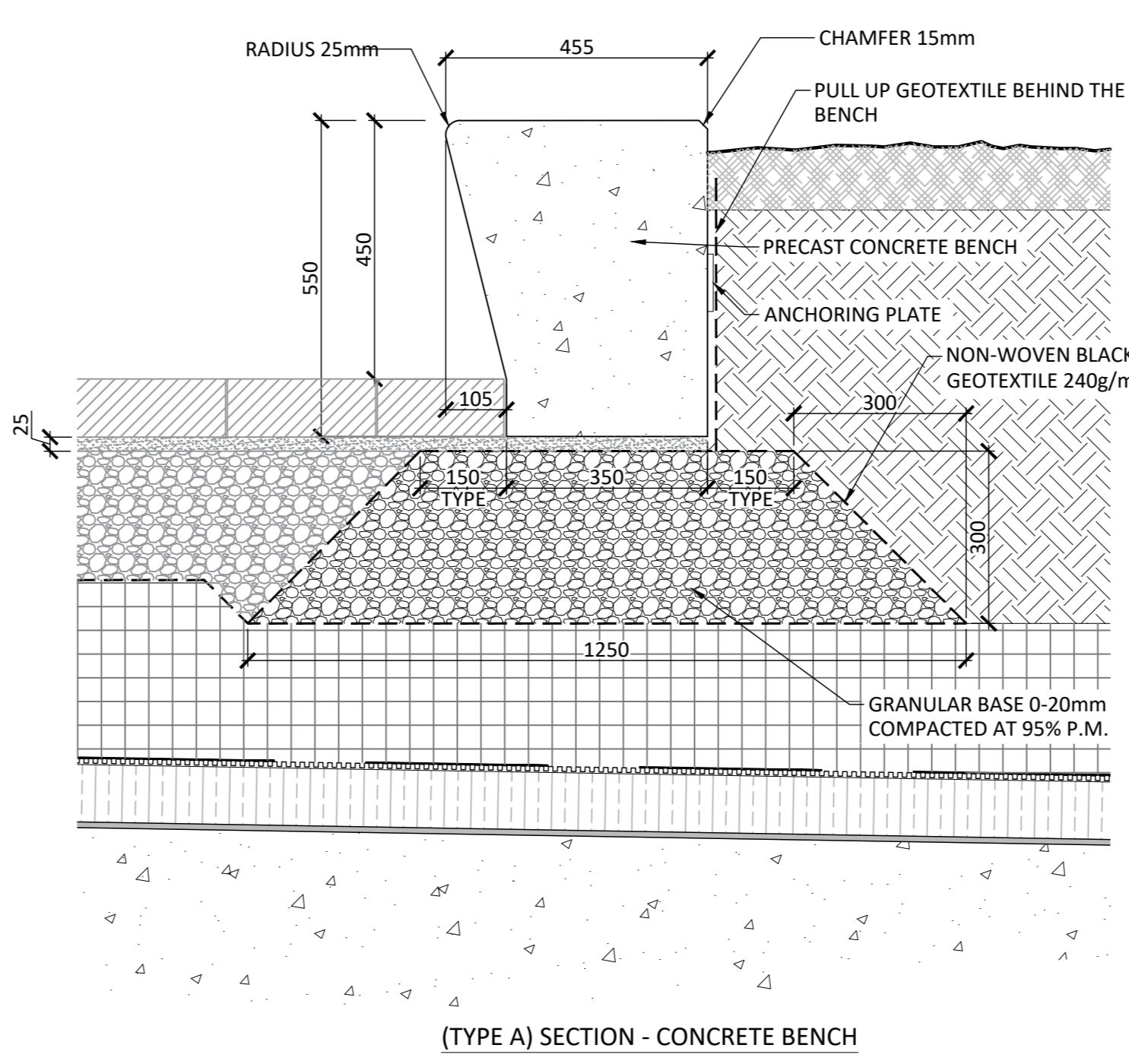
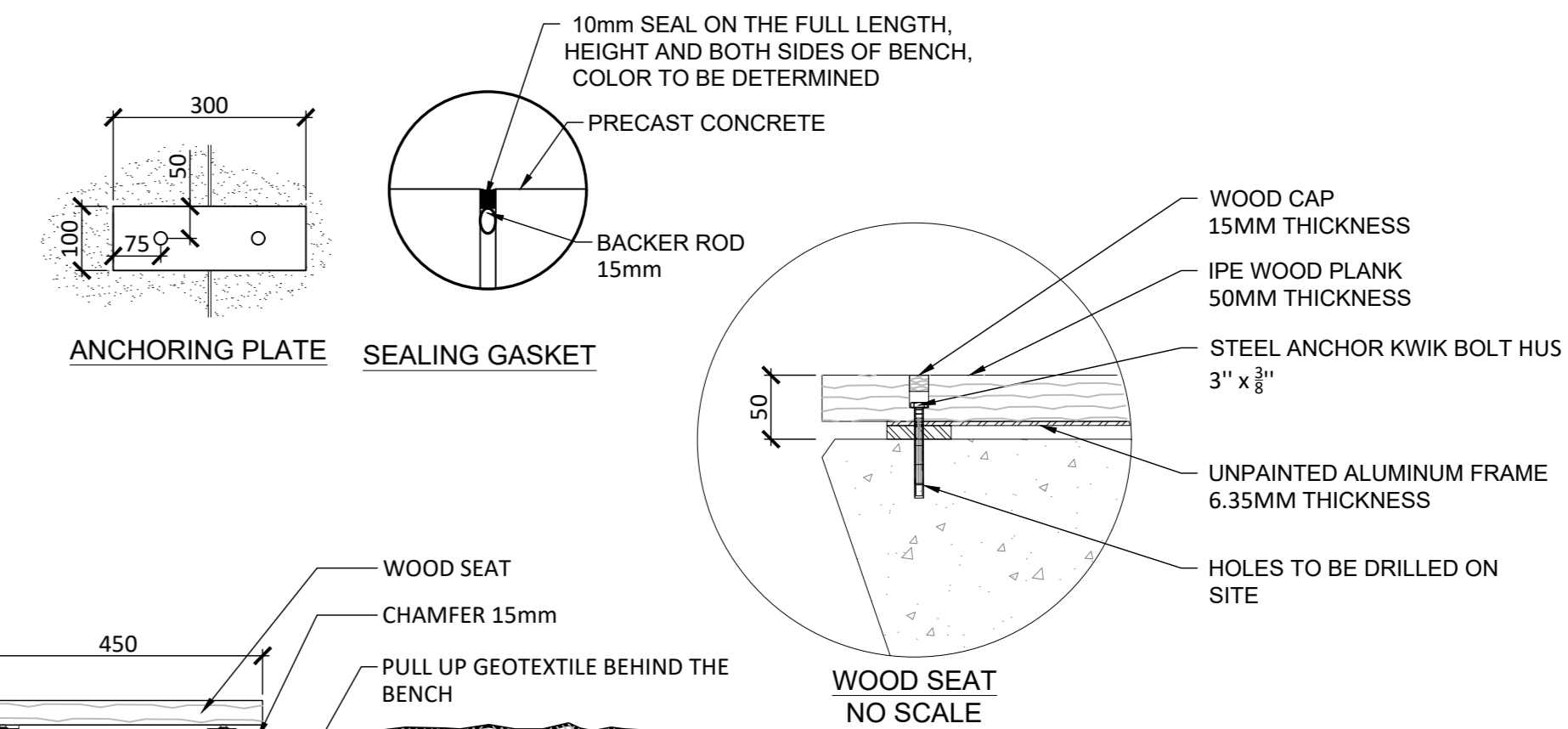


10 PREFABRICATED CONCRETE STAIRS
Scale 1:10

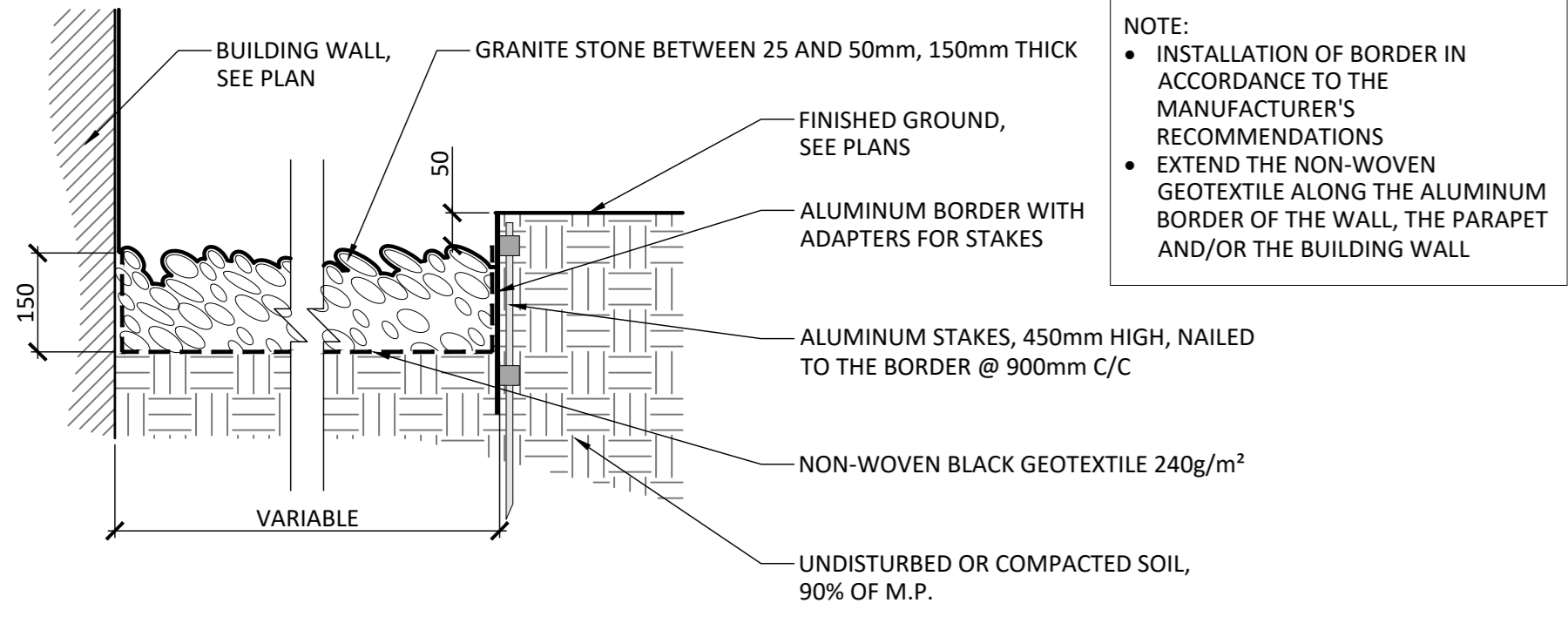
11 PREFABRICATED CONCRETE STAIRS
Scale 1:10

12 TYPICAL PREFABRICATED PAVERS
Scale 1:10

- NOTES:
- CONCRETE CAST AT FACTORY;
 - CONCRETE BENCH COLOR WILL BE (PROVIDE SAMPLE FOR APPROBATION);
 - CONCRETE SURFACES MUST BE FINISHED WITH A LIGHT SANDBLAST;
 - INSTALLATION ACCORDING TO MANUFACTURER'S RECOMMENDATIONS;
 - CONTRACTOR MUST PROVIDE DRAWINGS SEALED AND SIGNED BY A CERTIFIED ENGINEER;
 - PROVIDE, AT THE FACTORY, THE ANCHORING ELEMENTS IN ORDER TO CONNECT THE CONCRETE MODULES TO ONE ANOTHER. THE ATTACHMENT MUST NOT BE APPARENT. HAVE THE FIXING MODE APPROVED BY THE PROJECT MANAGER. PROVIDE A CAVURE IN THE CONCRETE MODULES;
 - LEVEL ALL HORIZONTAL SURFACES AS TO KEEP A 1% SLOPE TO ALLOW WATER DRAINAGE



21 PRECAST CONCRETE BENCH-PLANTER
Scale 1:10

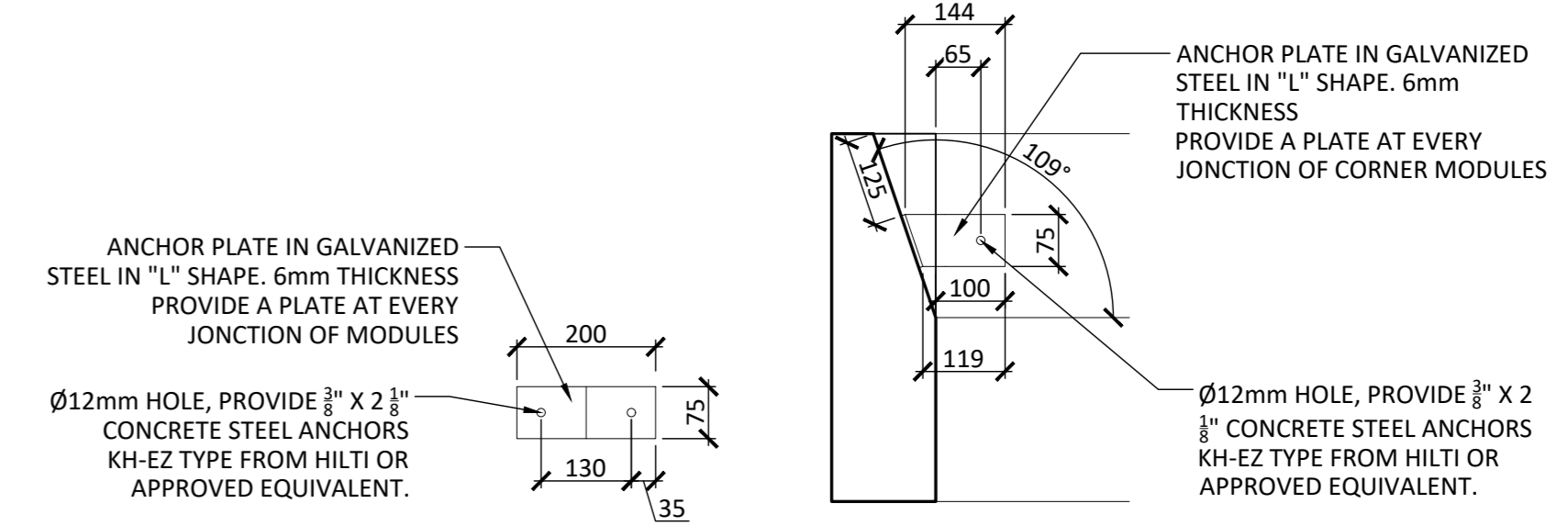


3 RIVER ROCK STRIP
Scale 1:10

11 PREFABRICATED SEGMENTAL CONCRETE WALL
Scale 1:10

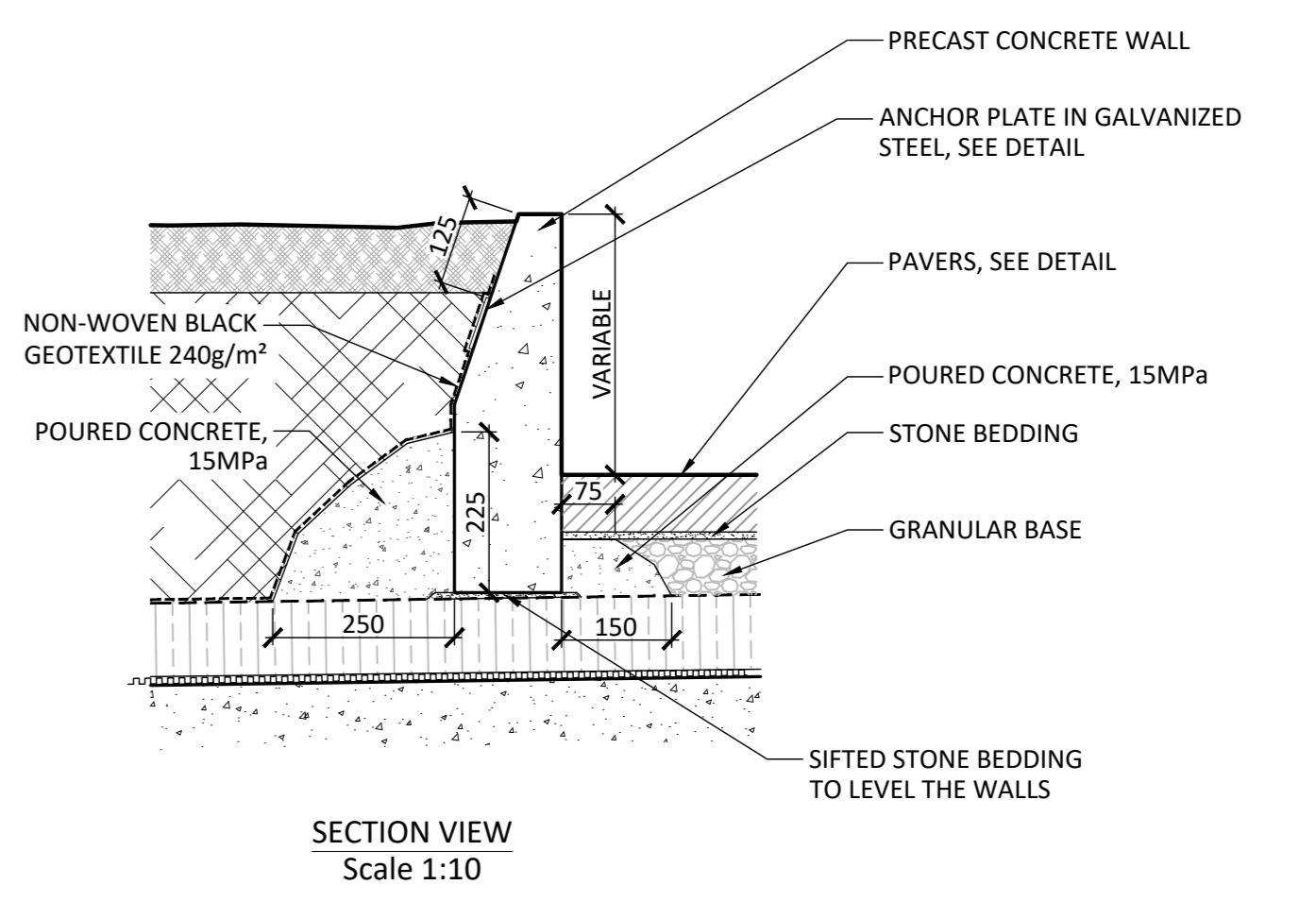
DETAIL TO COME

DETAIL TO COME



ANCHOR PLATE - TYPE A
Scale 1:10

CORNER MODULE ANCHOR PLATE
Scale 1:10



SECTION VIEW
Scale 1:10

20 PRECAST CONCRETE BENCH
Scale 1:10

22 PRECAST CONCRETE WALL
Scale 1:10

- Notes:
- The Contractor must verify all site existing conditions before beginning the work and inform the Project Director of any errors, omissions or contradictions.
 - Existing grades indicated on the plan come from the survey provided by the owner.
 - The Contractor must not cut down any existing vegetation without the approval of the Project Director.
 - Implementation of the works on site must be approved by the Project Director.
 - The Contractor must use the CAD file for implantation of all work.
 - The contractor must verify the amounts specified in the schedule and notify the landscape architect of any errors, omissions or contradictions before the close of the bid.

PROJET | PAYSAGE
24 Mont-Royal O. Bureau 801 Montréal Québec H2T 2S2
T:514.849.7700 F:514.849.2027 info@projetpaysage.com

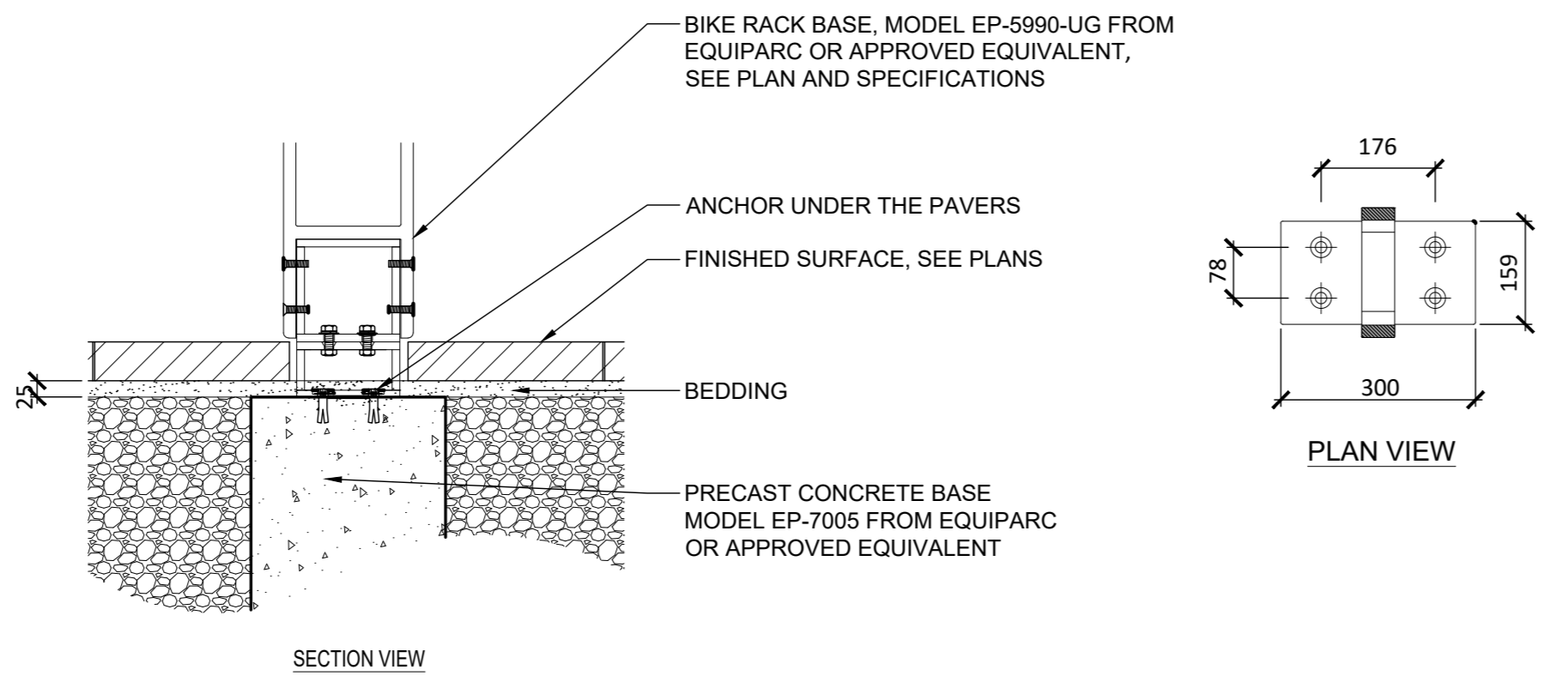


Project name
2026 Scott Road

Drawing title
CONSTRUCTION DETAILS
Scale VARIABLE

Drawn by
P.L. Richard
Checked by
A. Syedah
Approved by
S. Gallant
Date
October 2023
Drawing No.
AP-50
21-698

- NOTES :
- PROVIDE ANTI-THEFT ANCHORING AND HARDWARE
 - INSTALL ACCORDING TO MANUFACTURER'S RECOMMENDATIONS

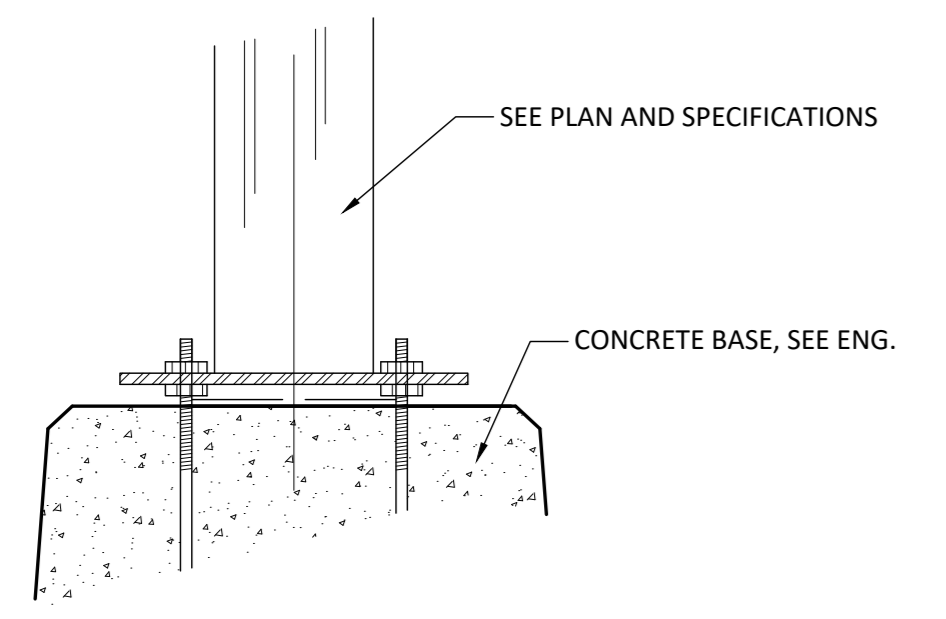


31 BIKE RING TYP.
Scale 1:10

30 WALL STRAIGHT WOOD BENCH
Scale 1:10

DETAIL TO COME

- NOTES:
- FOR PIPING, WIRING AND JUNCTIONS, SEE ELECTRICAL;
 - REFER TO ARCHITECTURE AND STRUCTURE FOR BOLLARD BASES ON STRUCTURAL SLAB;
 - FOR CONCRETE BASES, THE CONTRACTOR MUST PROVIDE DRAWINGS SEALED AND SIGNED BY A CERTIFIED ENGINEER INDICATING THE TYPE OF CONCRETE AND ARMING REQUIRED.



50 PEDESTRIAN SCALE LIGHTING- BASE DETAIL TYP.
Scale 1:10

42 HANDRAIL
Scale 1:10

41 WOOD FENCE
Scale 1:10

40 METAL FENCE
Scale 1:10

DETAIL TO COME

DETAIL TO COME

DETAIL TO COME

Revisions			
No.	Description	Appr.	Date
1	Site Plan Control	S.G.	23/02/22
2	Site Plan Control	P.L.	23/10/13

DO NOT USE FOR CONSTRUCTION

- Notes :
- The Contractor must verify all site existing conditions before beginning the work and inform the Project Director of any errors, omissions or contradictions.
 - Existing grades indicated on the plan come from the survey provided by the owner.
 - The Contractor must not cut down any existing vegetation without the approval of the Project Director.
 - Implementation of the works on site must be approved by the Project Director.
 - The Contractor must use the CAD file for implementation of all work.
 - The contractor must verify the amounts specified in the schedule and notify the landscape architect of any errors, omissions or contradictions before the close of the bid.

PROJET | PAYSAGE
 24 Mont-Royal O. Bureau 801 Montréal Québec H2T 2S2
 T: 514.849.7700 F: 514.849.2027 info@projetpaysage.com



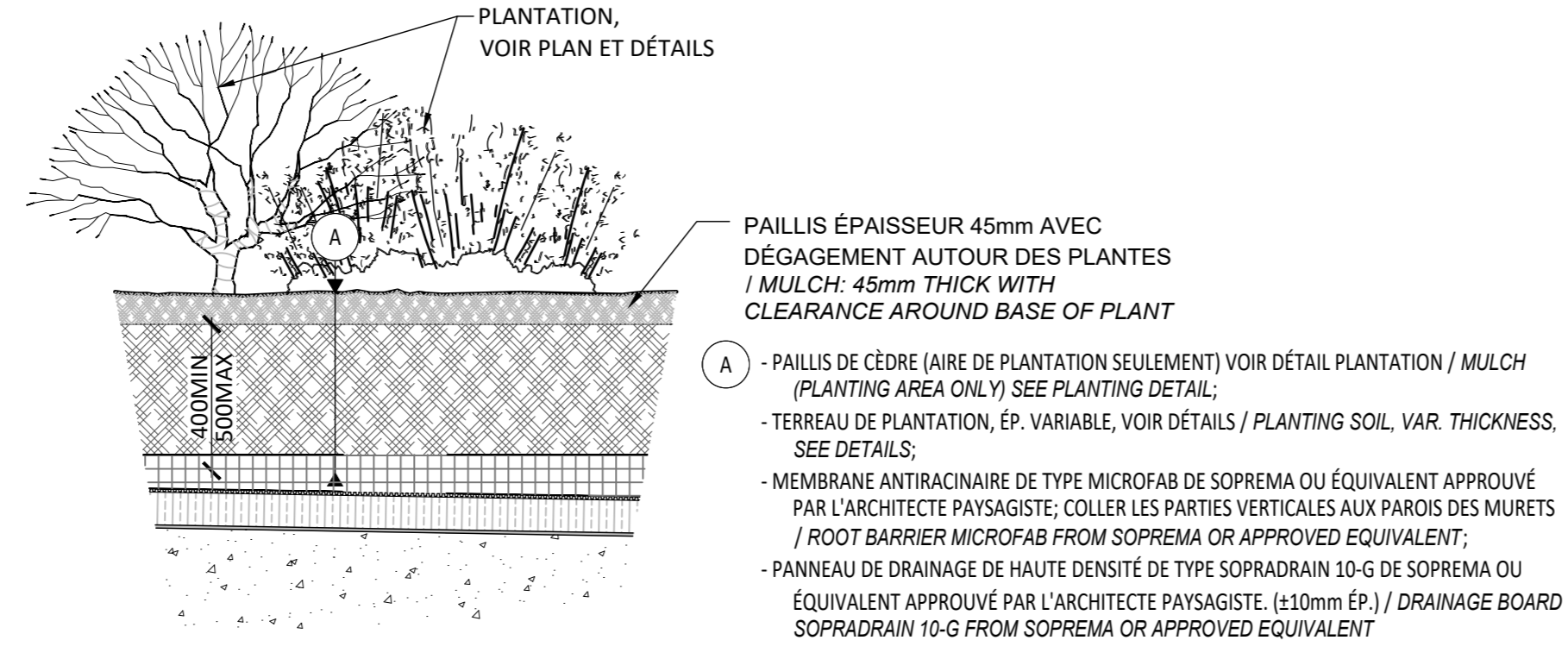
Project name
2026 Scott Road

Drawing title
CONSTRUCTION DETAILS
 Scale VARIABLE

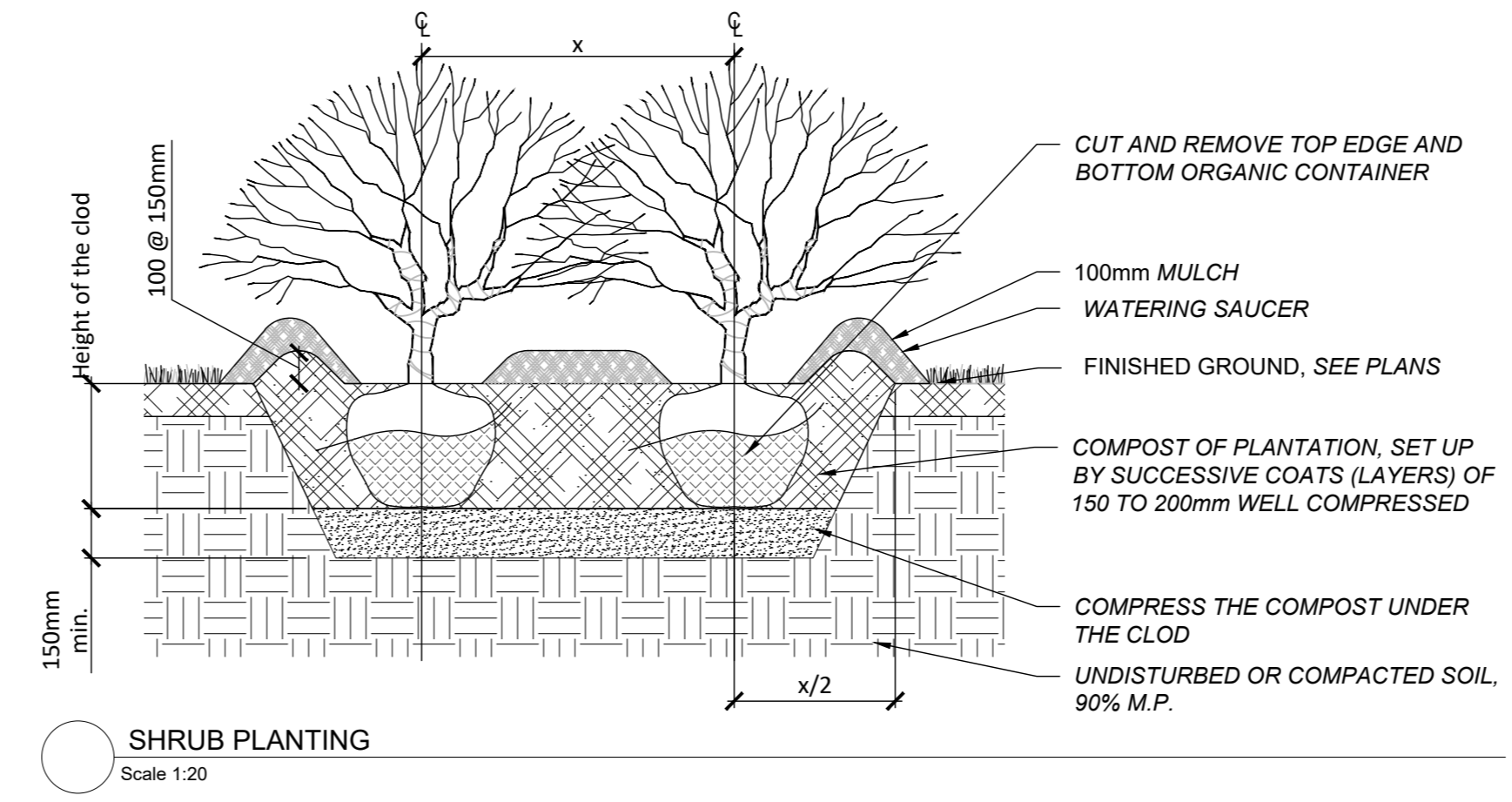
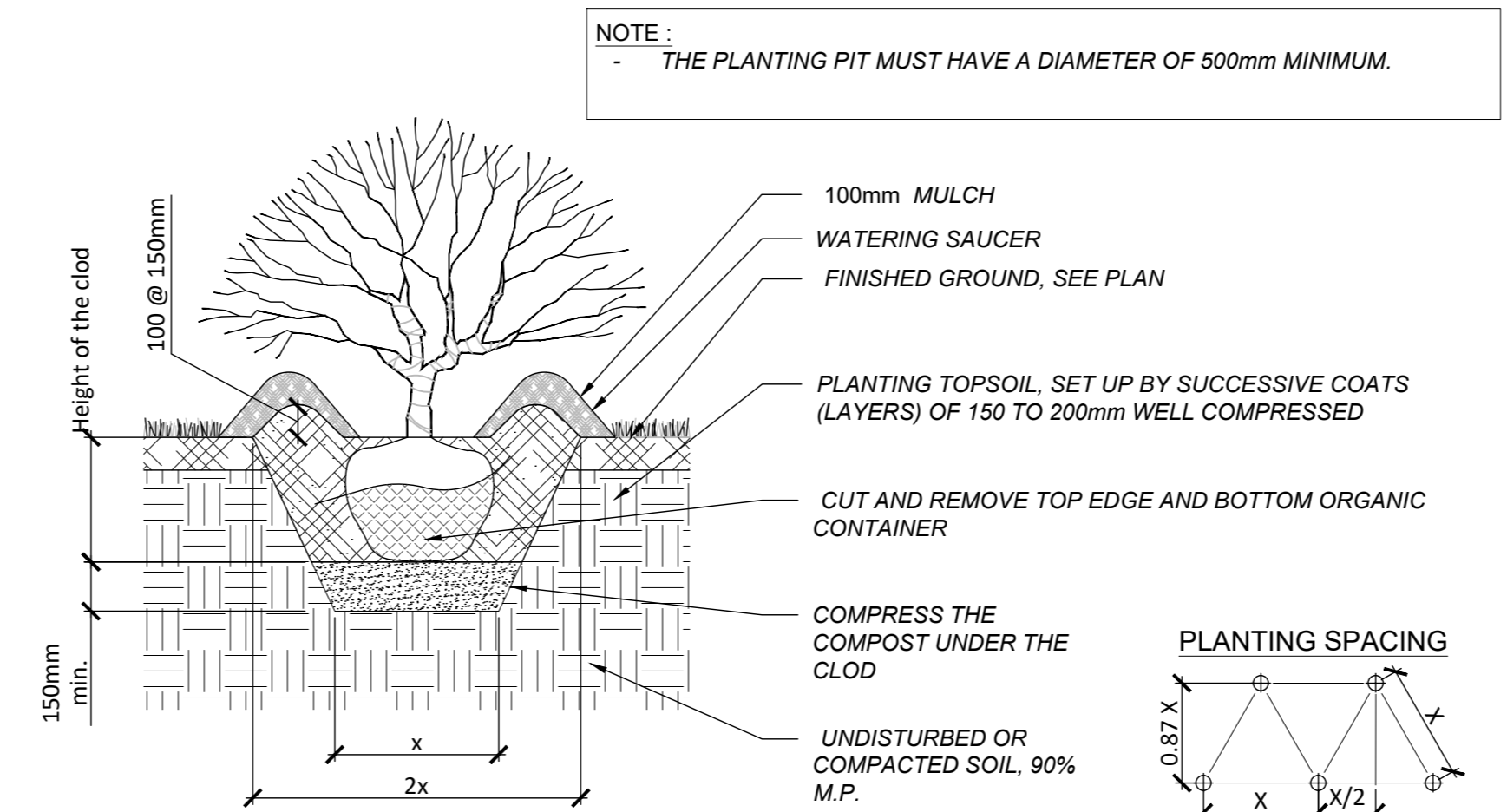
Designed by
 P.L. Richard
 Drawn by
 A. Syedah
 Reviewed by
 S. Gallant
 Date
 October 2023

Sheet no.
AP-51
21-698

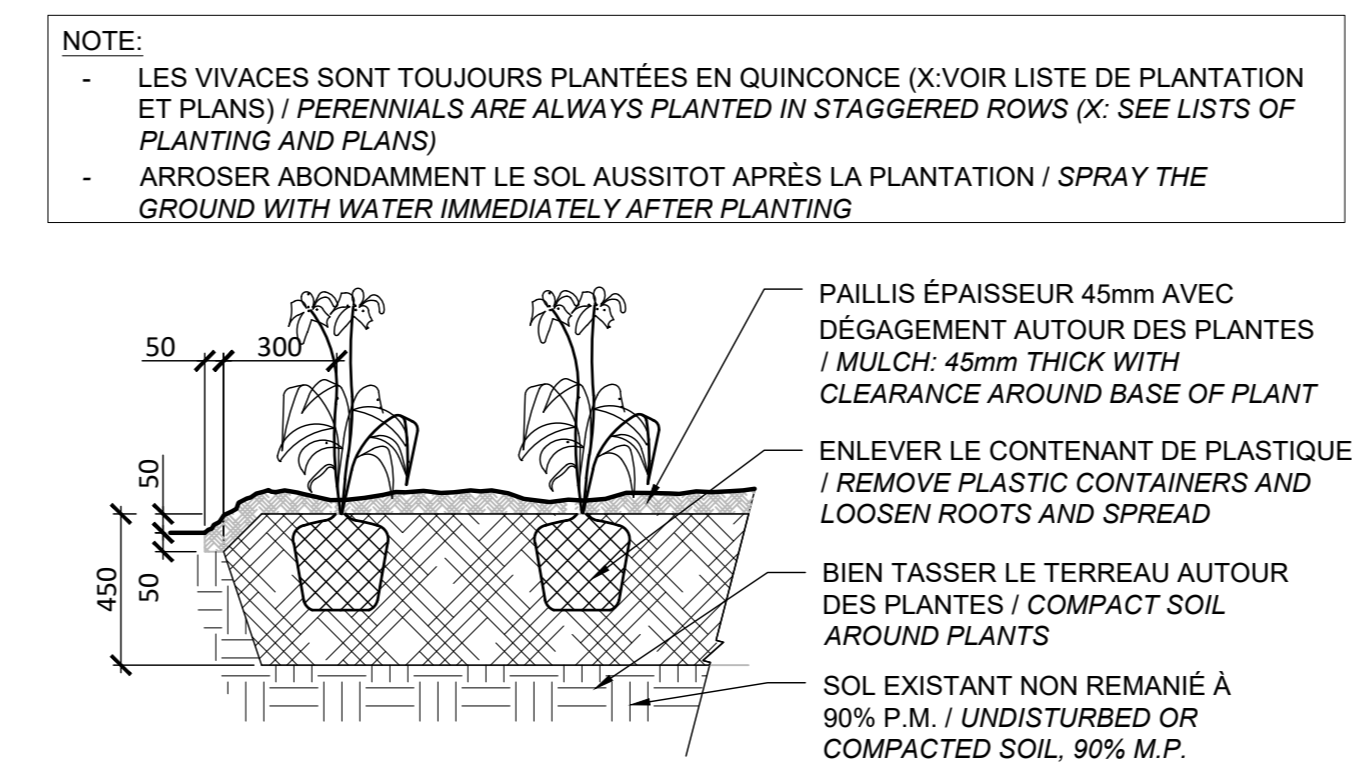
- NOTES :
- IT IS THE RESPONSIBILITY OF THE CONTRACTOR TO VALIDATE THE THICKNESS OF THE SOIL WITH THE BUILDING STRUCTURE
 - WITH THE EXCEPTION OF TREES, THERE MUST BE A MAXIMUM OF 500MM OF SOIL AND/ OR GRANULAR FOUNDATION ON THE CONCRETE SLAB. FILL ALL SPACE ABOVE THE REQUIRED SOIL AND/ OR GRANULAR FOUNDATION THICKNESS WITH RIGID INSULATION TO REACH THE FINISH GRADE INDICATED ON THE PLANS.
 - MAKE SURE TO HAVE A MINIMUM AND MAXIMUM OF 1000MM OF SOIL. FILL ALL SPACE ADJACENT TREE WITH RIGID INSULATION, AS TO RESPECT THE MAXIMUM OF 500MM OF SOIL.
 - WHEN PLANTING SHRUBS, MAKE SURE TO HAVE A MINIMUM OF 500M OF SOIL.
 - WHEN PLANTING PERENNIALS AND/ OR ORNAMENTAL GRASSES, MAKE SURE TO HAVE A MINIMUM OF 500M OF SOIL.
 - FOR SOD, ENSURE YOU HAVE A MINIMUM OF 150MM OF SOIL.
 - REGARDLESS OF THE TYPE OF SURFACE (PLANTING, PAVES, EDGES OR WALLS), INSTALL ALL THE DRAINAGE PANEL ON THE ENTIRE SURFACE OF THE SLAB AND IN A CONTINUOUS MANNER.



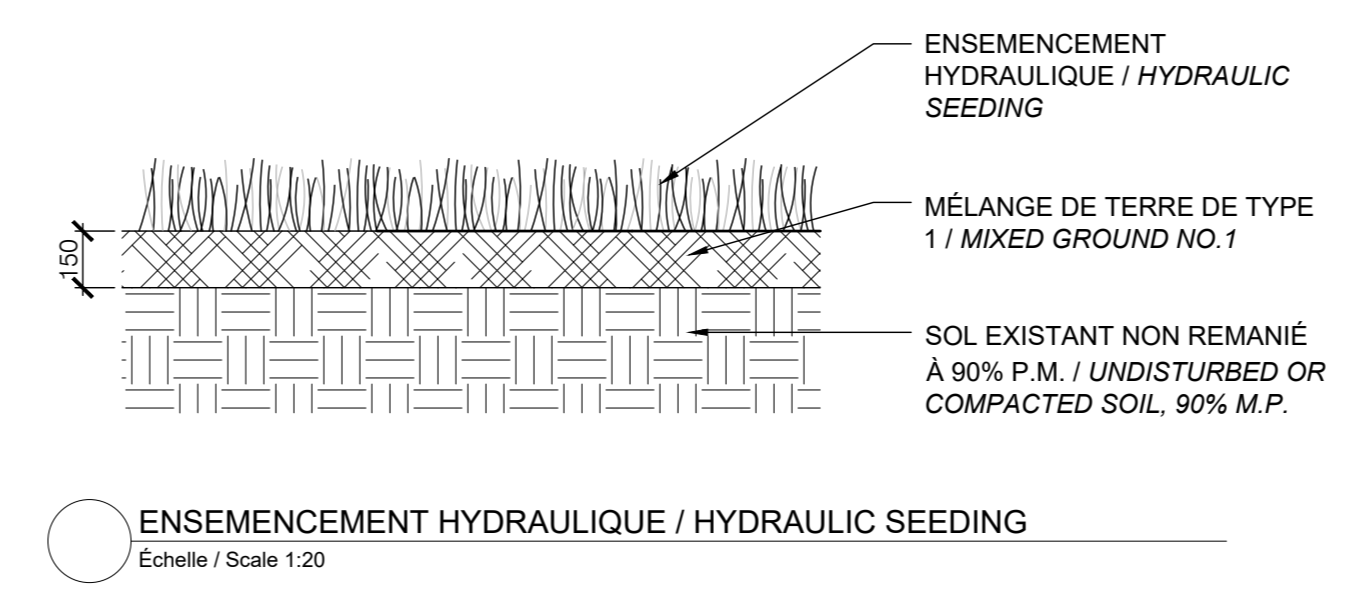
COUPE TYPE - PLANTATION ARBUSTES, VIVACES ET/OU GRAMINÉES SUR DALLE / SHRUB AND/OR PERENNIAL PLANTING ON SLAB
Echelle / Scale 1:20



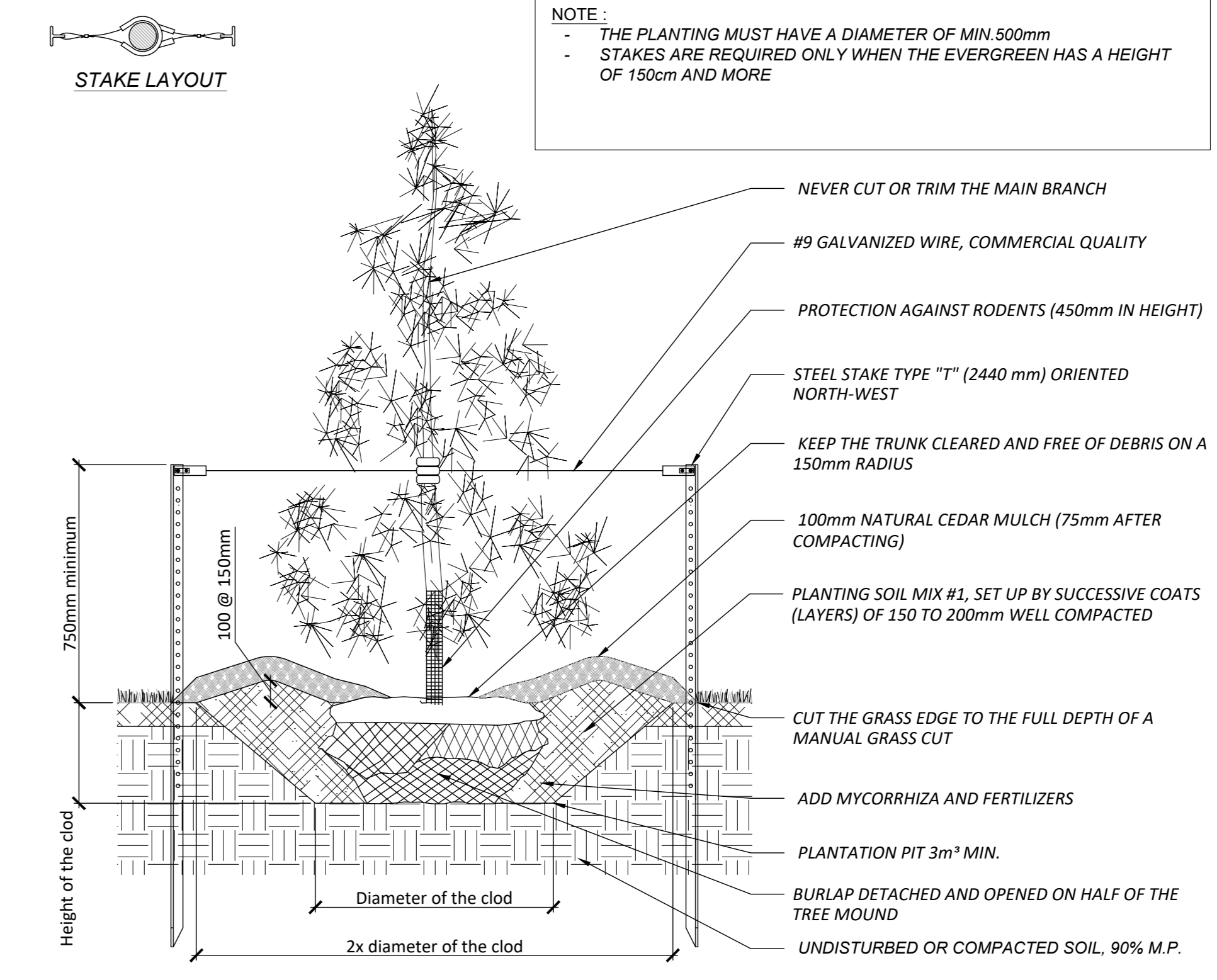
SHRUB PLANTING
Scale 1:20



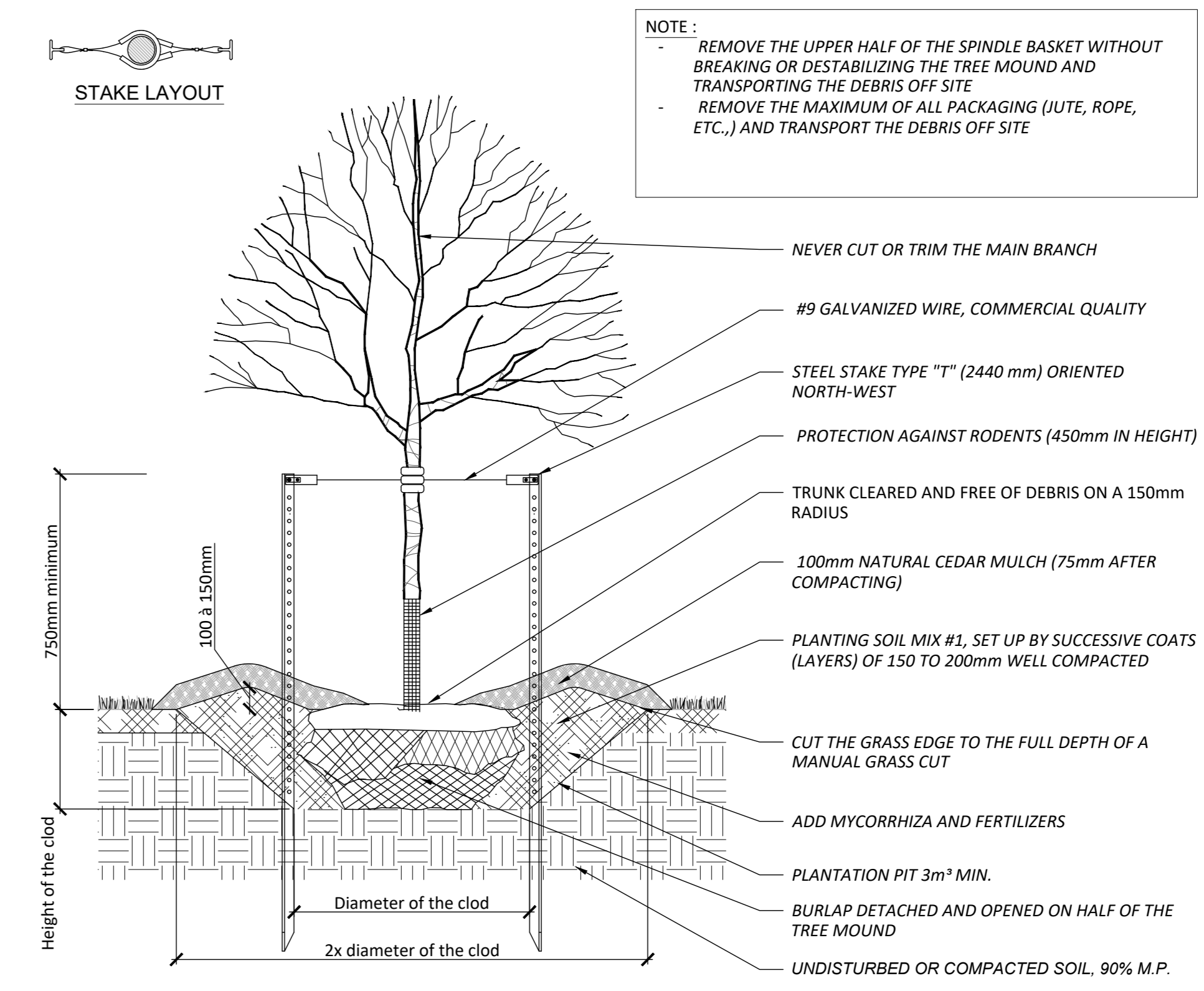
PLANTATION DE VIVACES OU GRAMINÉES / PERENNIAL PLANTING
Echelle / Scale 1:20



ENSEMENCEMENT HYDRAULIQUE / HYDRAULIC SEEDING
Echelle / Scale 1:20



CONIFEROUS TREE PLANTING
Scale 1:20



DECIDUOUS TREE PLANTING
Scale 1:20

Revisions	No.	Description	Appr.	Date
	1	Site Plan Control	S.G.	23/02/22
	2	Site Plan Control	P.L.	23/10/13

DO NOT USE FOR CONSTRUCTION

- Notes :
- 1- The Contractor must verify all site existing conditions before beginning the work and inform the Project Director of any errors, omissions or contradictions.
 - 2- Existing grades indicated on the plan come from the survey provided by the owner.
 - 3- The Contractor must not cut down any existing vegetation without the approval of the Project Director.
 - 4- Implantation of the works on site must be approved by the Project Director.
 - 5- The Contractor must use the CAD file for implantation of all work.
 - 6- The contractor must verify the amounts specified in the schedule and notify the landscape architect of any errors, omissions or contradictions before the close of the bid.

PROJET | PAYSAGE
24 Mont-Royal O. Bureau 801 Montréal Québec H2T 2S2
T: 514 849 7700 F: 514 849 2027 info@projetpaysage.com



Project name
2026 Scott Road

Drawing title
PLANTING DETAILS

Scale **VARIABLE**

Designed by
P.L. Richard
Drawn by
A. Syedah
Reviewed by
S. Gallant
Date
October 2023

Drawing No.
AP-52

21-698