

- LEGEND:
- - - PROPERTY LINE
 - TREES TO BE PLANTED BY OTHERS
 - PROPOSED DECIDUOUS TREE
 - PROPOSED CONIFEROUS TREE
 - TOPSOIL AND SOD
 - SHRUB/PERENNIAL PLANTING
 - UNIT PAVING
 - CONCRETE PAVING
 - PLANTER WALL
 - PLANTER WALL WITH BENCH
 - LANDSCAPE FEATURE WALL
 - BACKED BENCH WITH ARMRESTS
 - BACKLESS BENCH
 - BICYCLE RACK
 - OVERHEAD SHADE STRUCTURE
 - MODULAR METAL PLANTER
 - MULTI-PURPOSE SPACE

- NOTES:
1. THERE ARE NO EXISTING TREES ON THE SITE.

PROJECT TEAM

ARCHITECT:
 FAXS ARCHITECTURE
 BRIGGAN GORDON-COOKER
 403.623.5072

PLANNING:
 OJ PLANNING & DESIGN
 CHRISTINE INJANG
 913.850.8345

CIVIL:
 BS GROUP
 DEMETRIUS VANNILOPOULOS
 913.447.6904

LANDSCAPE ARCHITECT:
 CSW LANDSCAPE ARCHITECTS LTD.
 JERRY CORUSH
 913.886.9808

TRANSPORTATION:
 BS GROUP
 BEN PASCOLOUNHEU
 913.225.3311 x416034

ENVIRONMENTAL:
 GRADIENT WIND ENGINEERING
 JOSHUA FROSTER
 913.838.9834

RELEASES

NO.	DESCRIPTION	DATE

1050 TAWADINA RD WATERIDGE

REGISTERED ADDRESS:
 1050 TAWADINA RD
 OTTAWA, ON

GRID REFERENCE:
 PART OF BLOCK 11
 REGISTERED PLAN 4M-1651
 CITY OF OTTAWA
 ANNIS O'SULLIVAN VOLLEBEKK LTD. 2022

PROJECT NO.: 22.01.W.U.
 CSW PROJECT NO. 2125261

DRAWN: LMSW JC
CHECKED: JC

DATE: 22.01.14
SCALE: AS NOTED

DRAWING TITLE: GROUND FLOOR LANDSCAPE PLAN

DRAWING NUMBER:

L1.0

THIS DRAWING AND DESIGN ARE AT ALL TIMES TO REMAIN THE EXCLUSIVE PROPERTY OF THE ARCHITECT AND MAY NOT BE USED OR REPRODUCED WITHOUT PRIOR WRITTEN CONSENT.



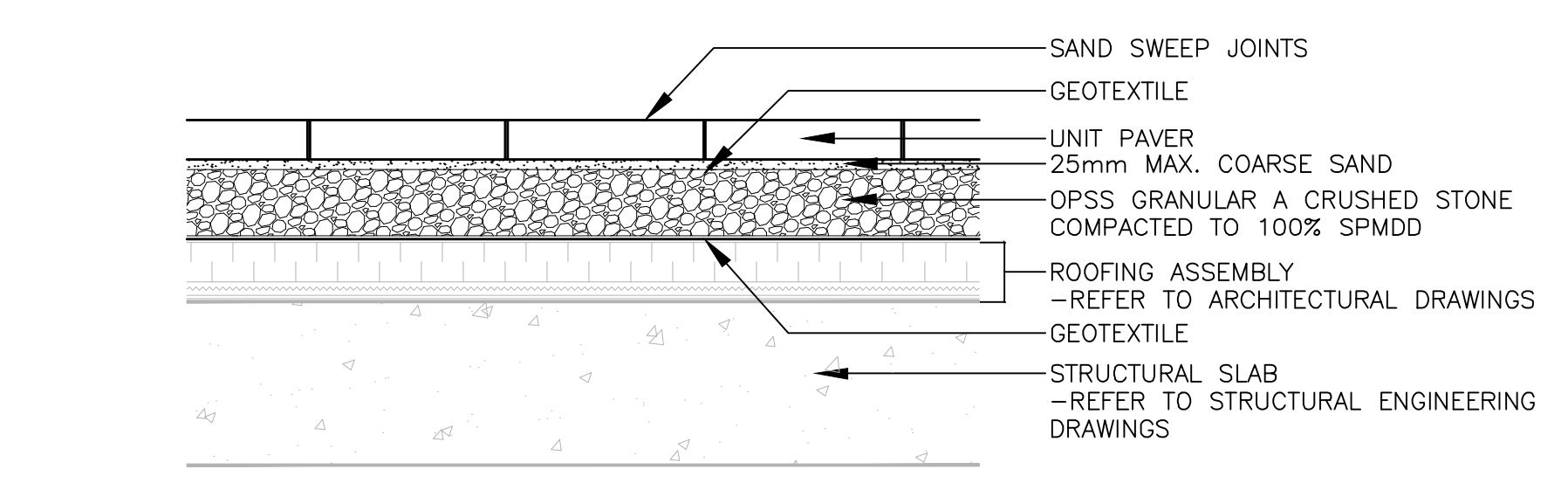
RELEASES

NO.	DESCRIPTION	DATE
1	CONCRETE PAVING	2021.14
2	CONCRETE PAVING	2021.14
3	CONCRETE PAVING	2021.14
4	CONCRETE PAVING	2021.14
5	CONCRETE PAVING	2021.14
6	CONCRETE PAVING	2021.14
7	CONCRETE PAVING	2021.14
8	CONCRETE PAVING	2021.14
9	CONCRETE PAVING	2021.14

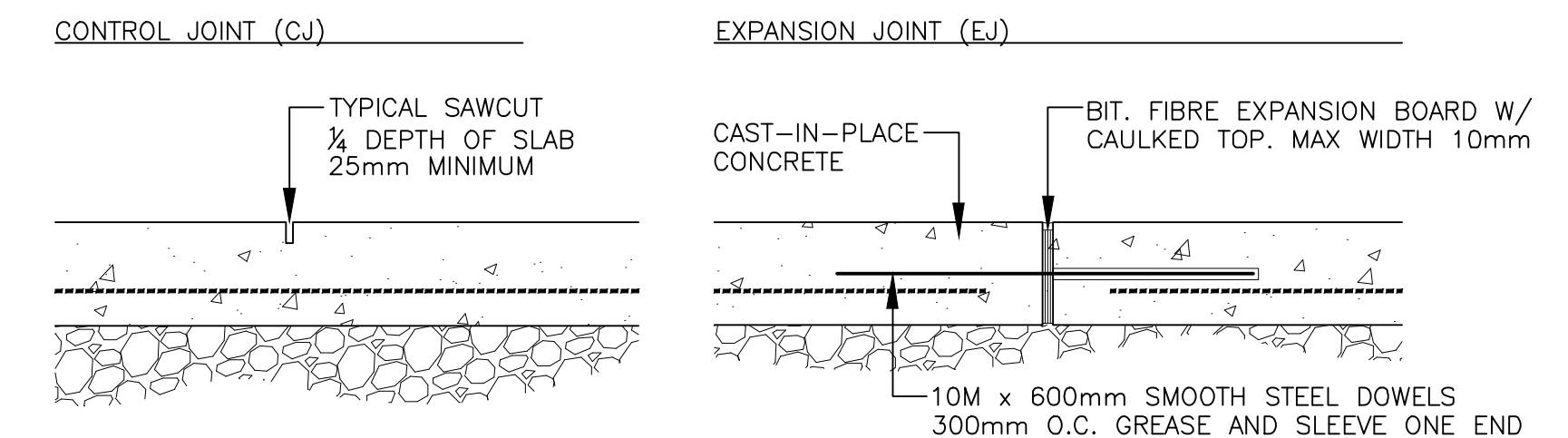
1050 TAWADINA RD WATERIDGE
 PROJECT NO: 22.01.W.U.
 CSW PROJECT NO. 22.01

LANDSCAPE DETAILS
L2.0

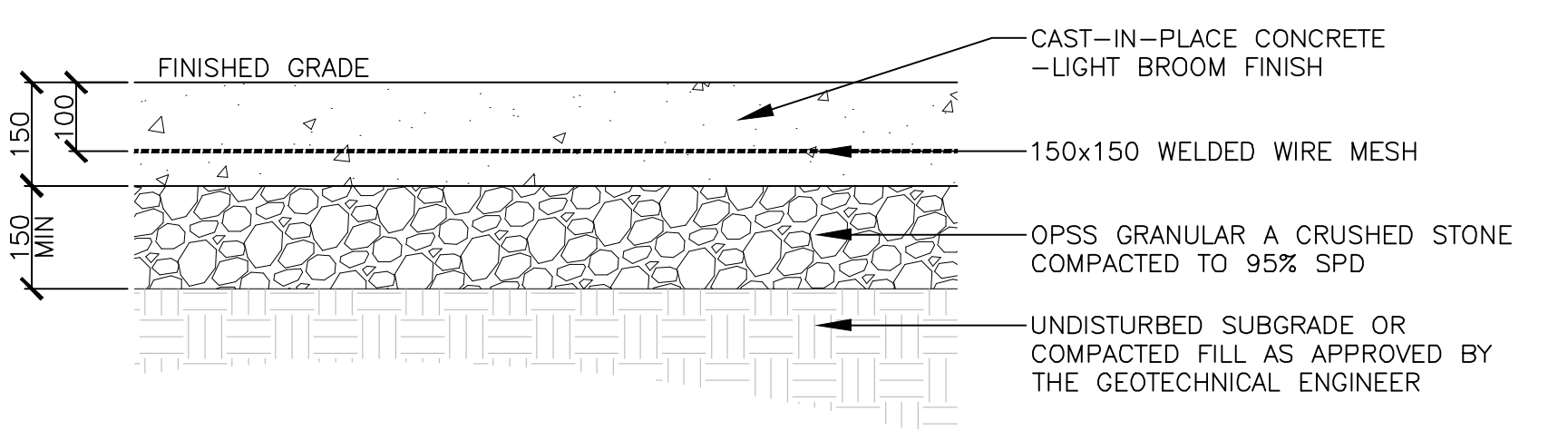
THIS DRAWING AND DESIGN ARE AT ALL TIMES TO REMAIN THE EXCLUSIVE PROPERTY OF THE ARCHITECT AND MAY NOT BE USED OR REPRODUCED WITHOUT PRIOR WRITTEN CONSENT.



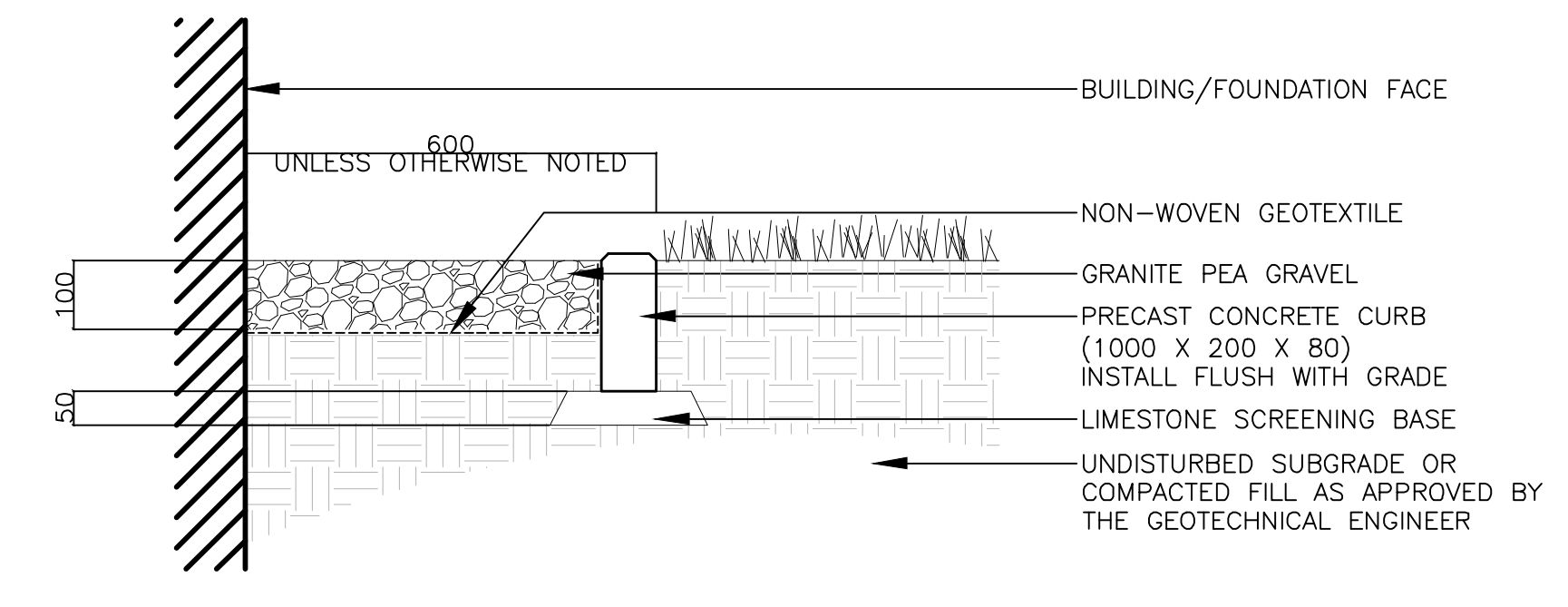
1 UNIT PAVING 1:10



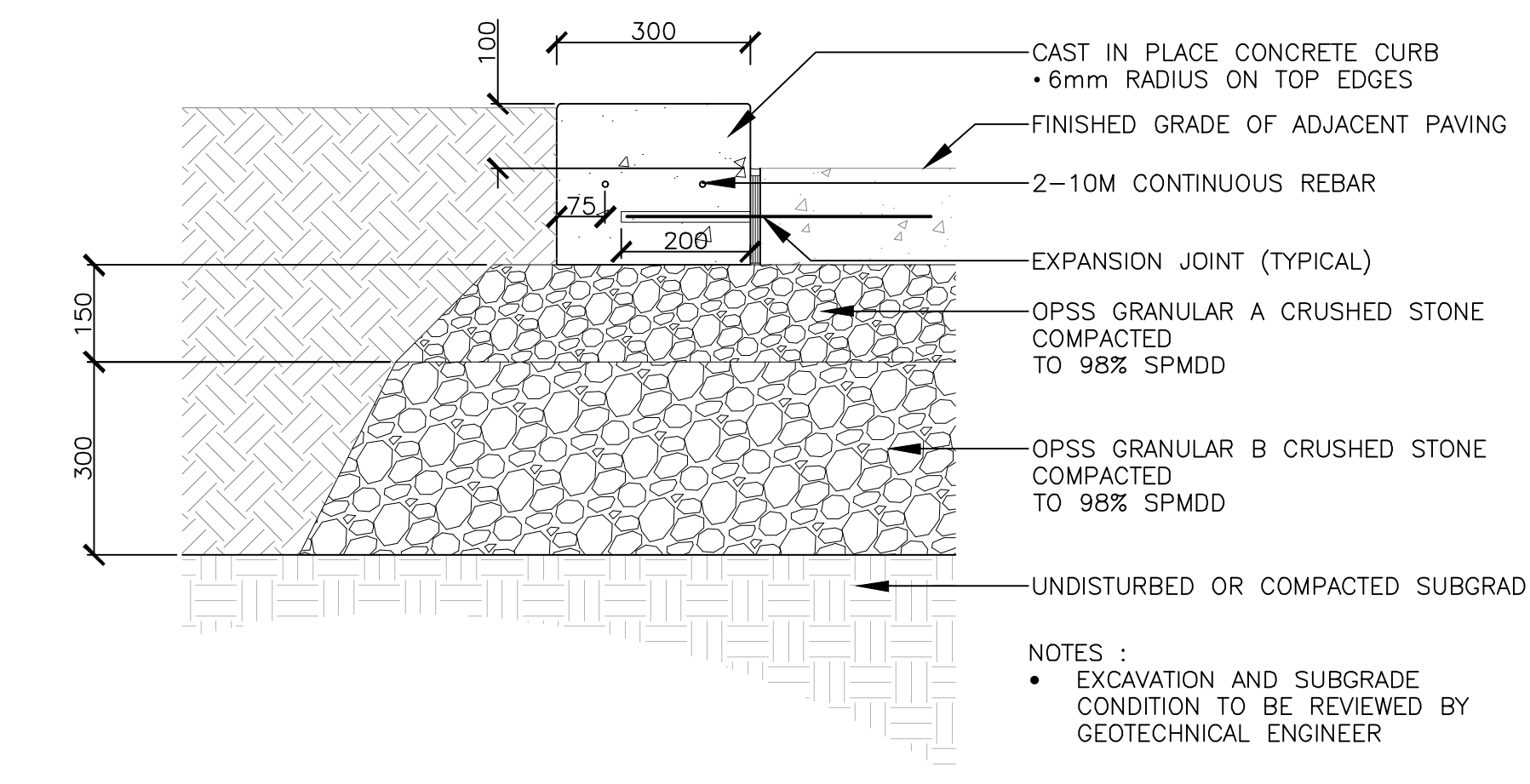
NOTES:
 1. REFER TO DRAWINGS FOR JOINT LAYOUT
 2. SAWCUT WITHIN 48 HOURS OF POUR
 3. NO TOOLED EDGES



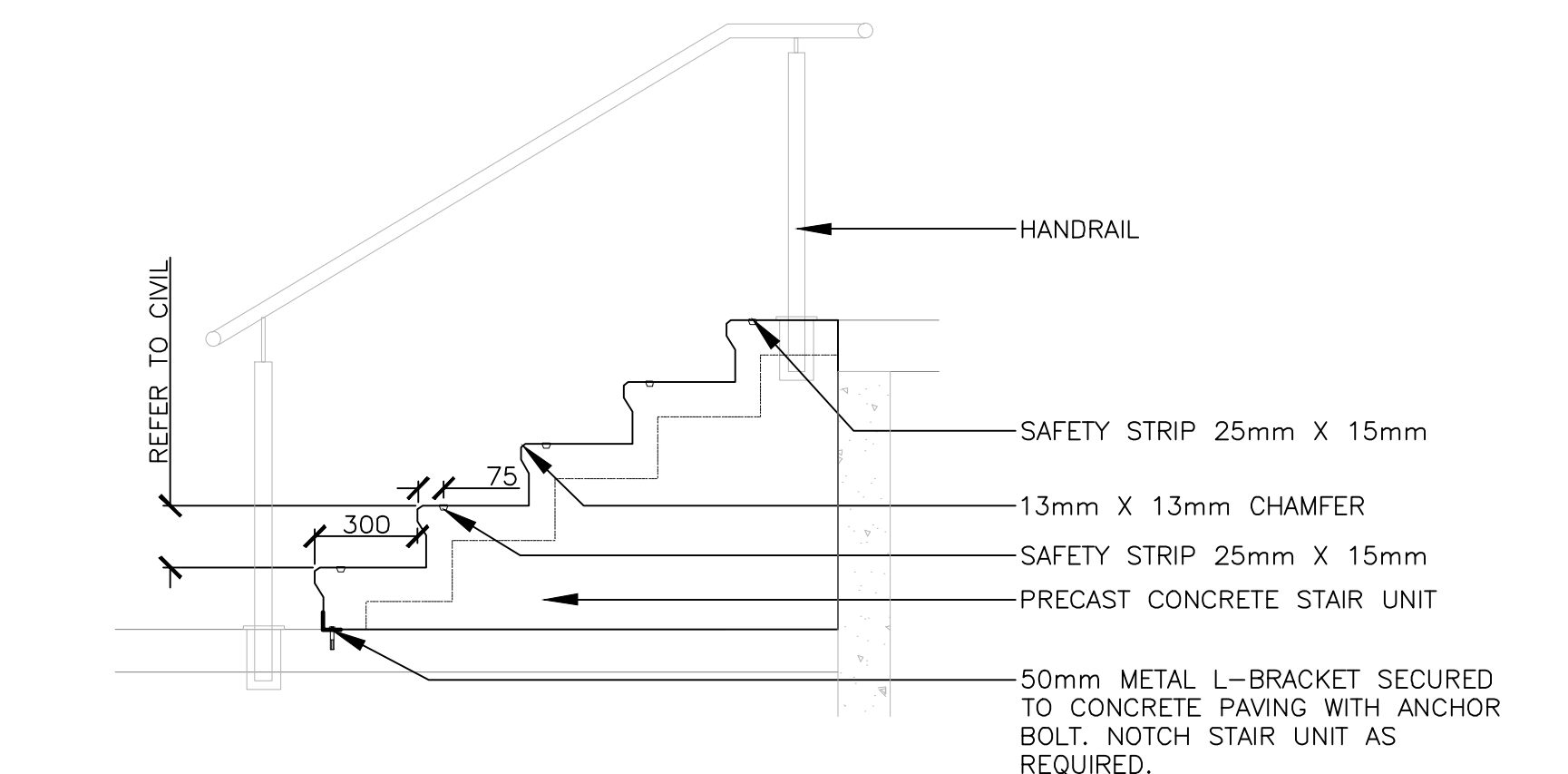
2 CONCRETE PAVING 1:10



3 MAINTENANCE EDGE 1:10

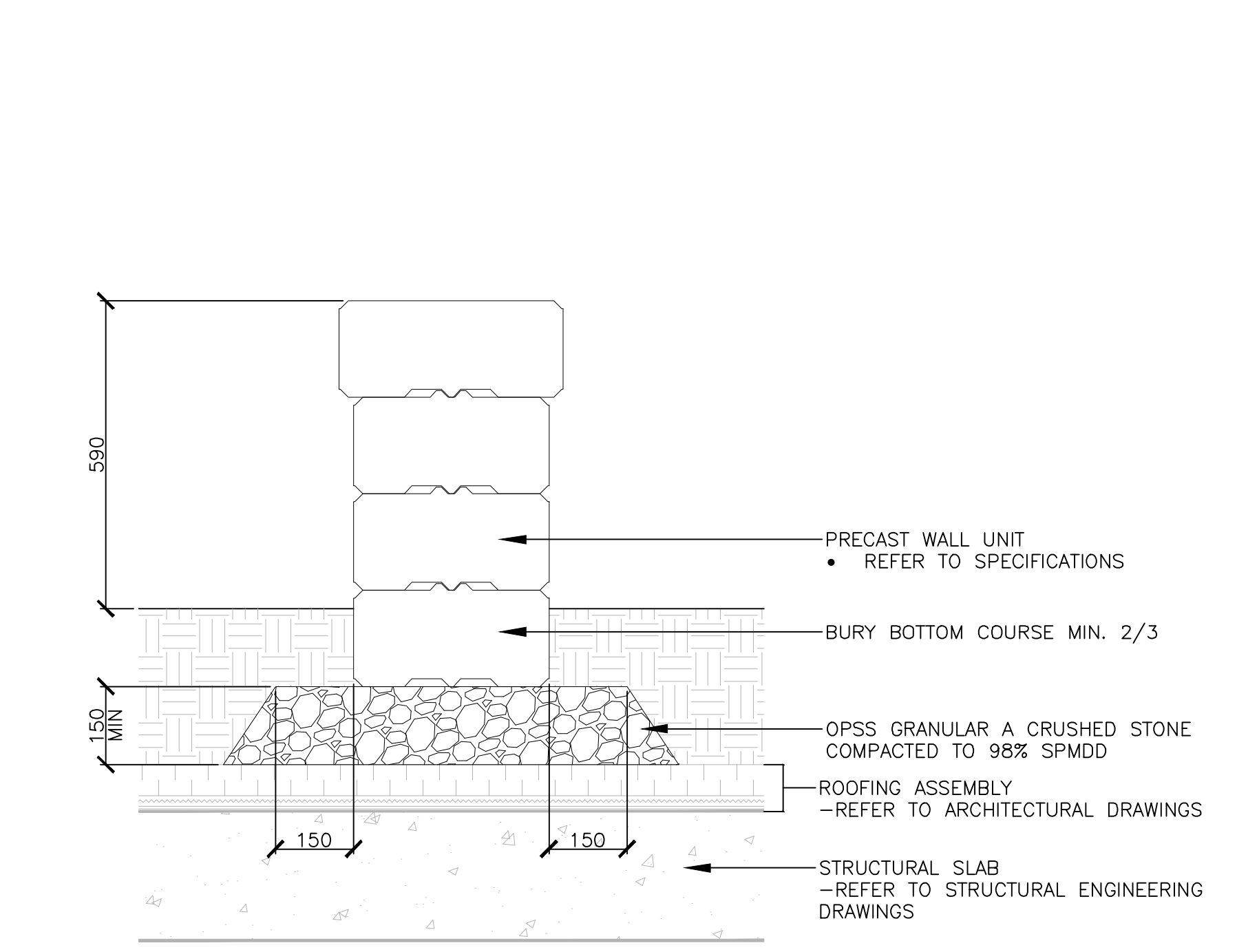


4 LANDSCAPE CURB 1:10



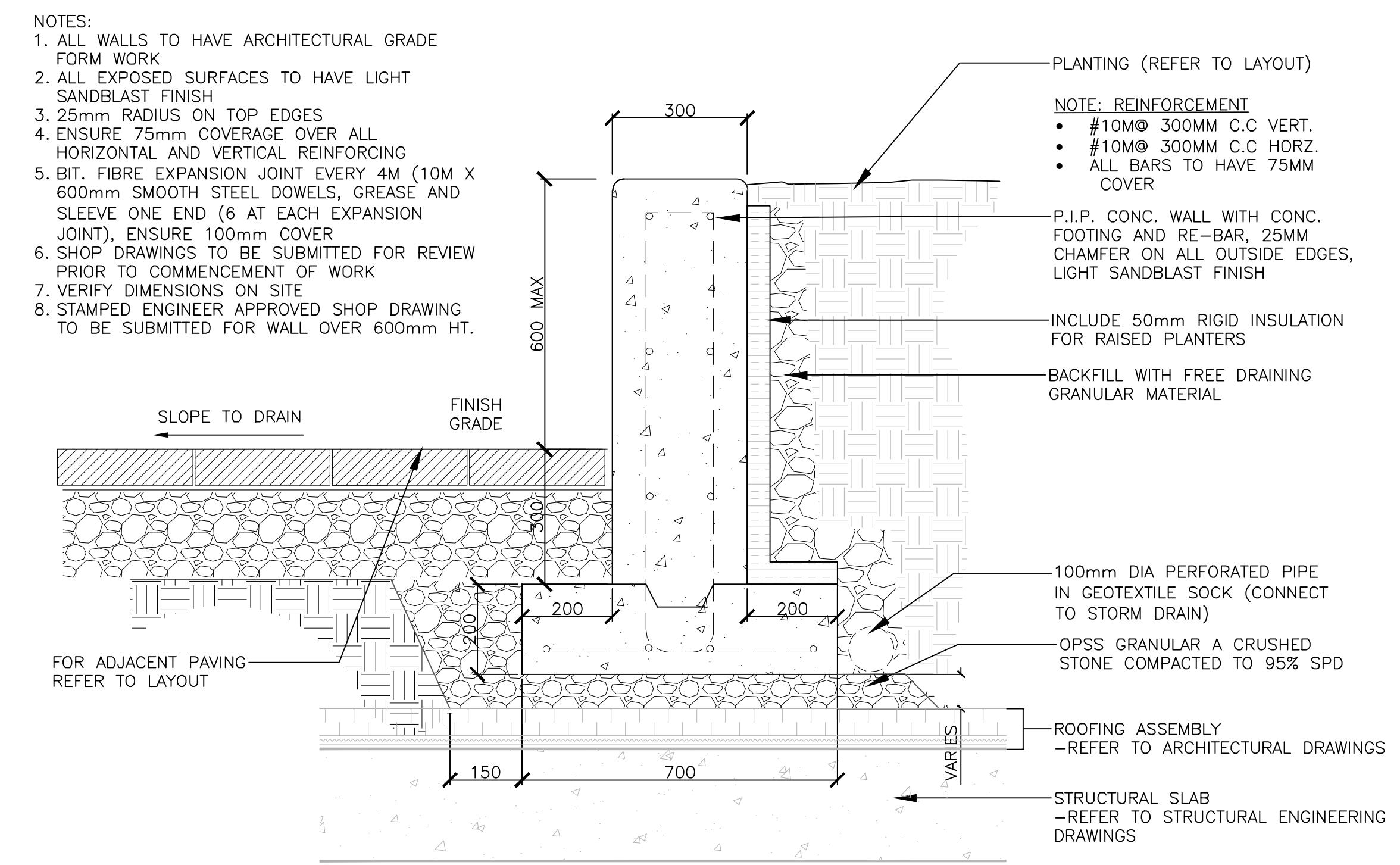
NOTES:
 • ALL RISERS AS PART OF SET OF STAIRS SHALL HAVE THE SAME HEIGHT AND WIDTH OF TREAD
 • SAFETY STRIP
 - CARBORUNDUM / EPOXY MIX
 - RAISED TEXTURE SET INTO EACH STAIR TREAD
 - TERMINATE SAFETY STRIP 50mm FROM EDGE OF STAIRS
 • SLOPE TREADS TO DRAIN AT 1% (ENSURE POSITIVE DRAINAGE ON ALL TREADS)
 • PRECAST UNITS TO HAVE MEDIUM SANDBLAST FINISH
 • METAL TO BE HOT DIPPED GALVANIZED STEEL
 • CONTRACTOR TO SUBMIT SHOP DRAWINGS FOR REVIEW PRIOR TO FABRICATION

5 CONCRETE STEPS 1:10



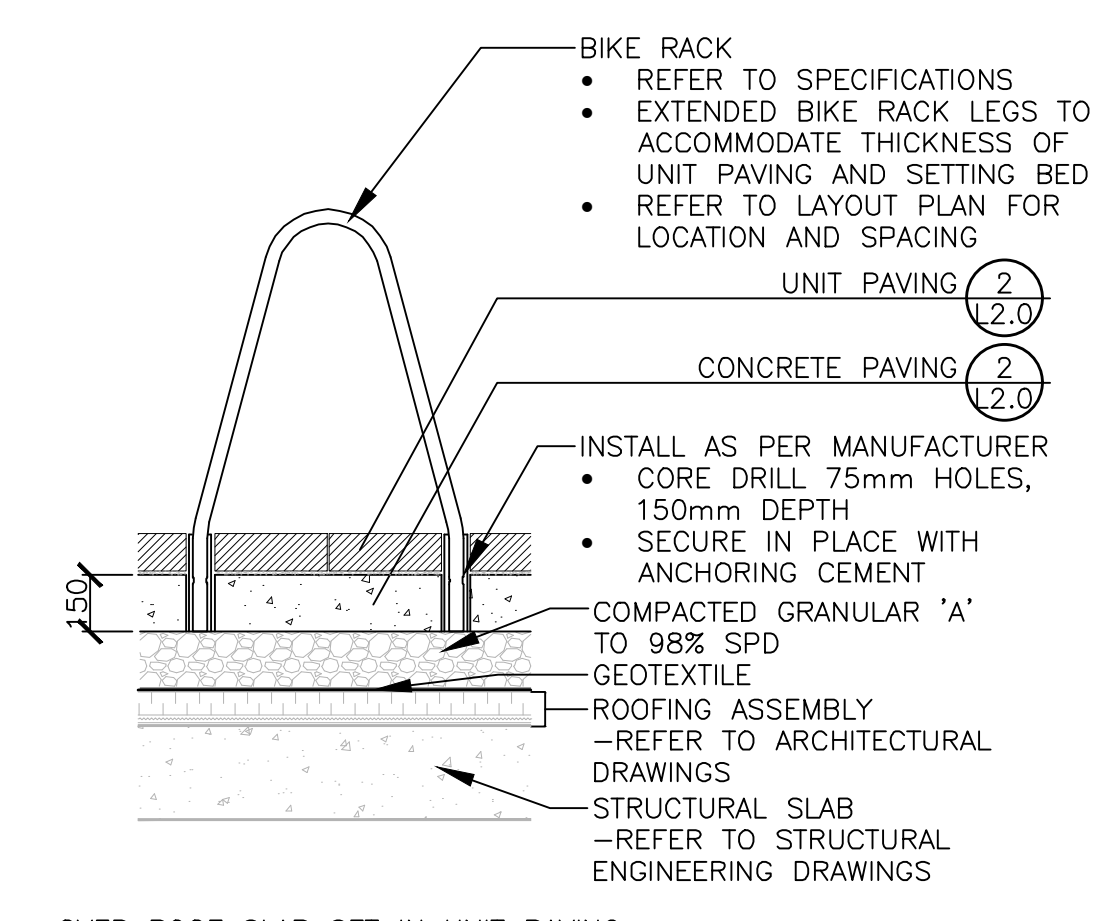
NOTES:
 • INSTALL EXPANSION JOINT BETWEEN WALL AND ANY ADJACENT CONCRETE PAVING
 • CONTRACTOR TO SUBMIT ENGINEER STAMPED SHOP DRAWINGS FOR APPROVAL PRIOR TO INSTALL

7 LANDSCAPE FEATURE WALL 1:10

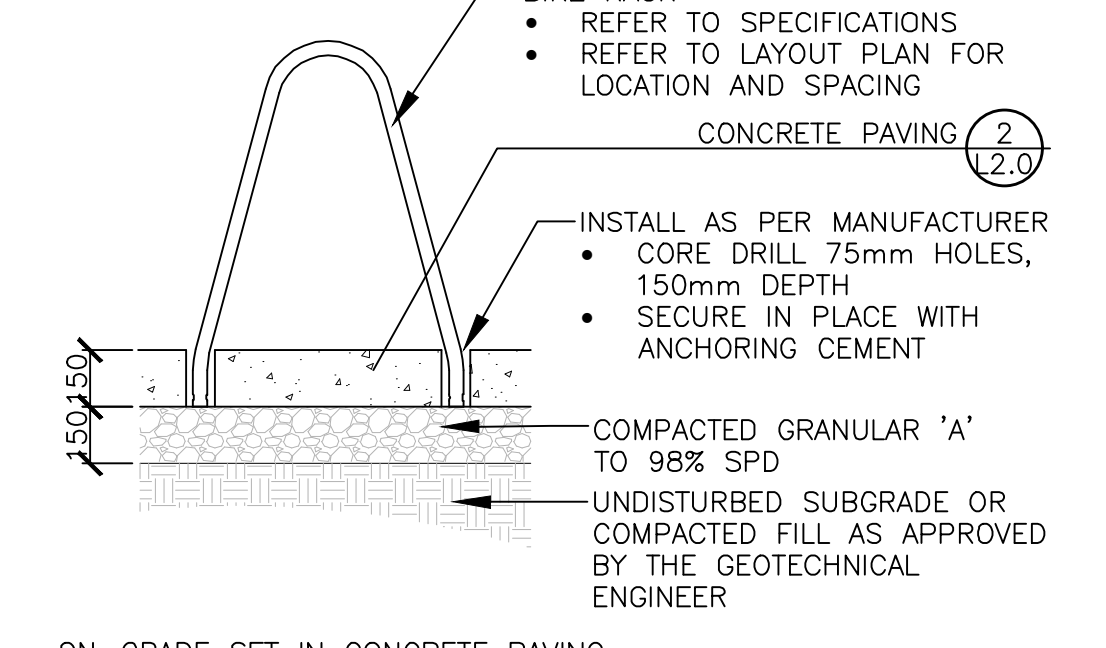


NOTE: REINFORCEMENT
 • #10M@ 300MM C.C VERT.
 • #10M@ 300MM C.C HORIZ.
 • ALL BARS TO HAVE 75MM COVER

8 PLANTER WALL 1:10

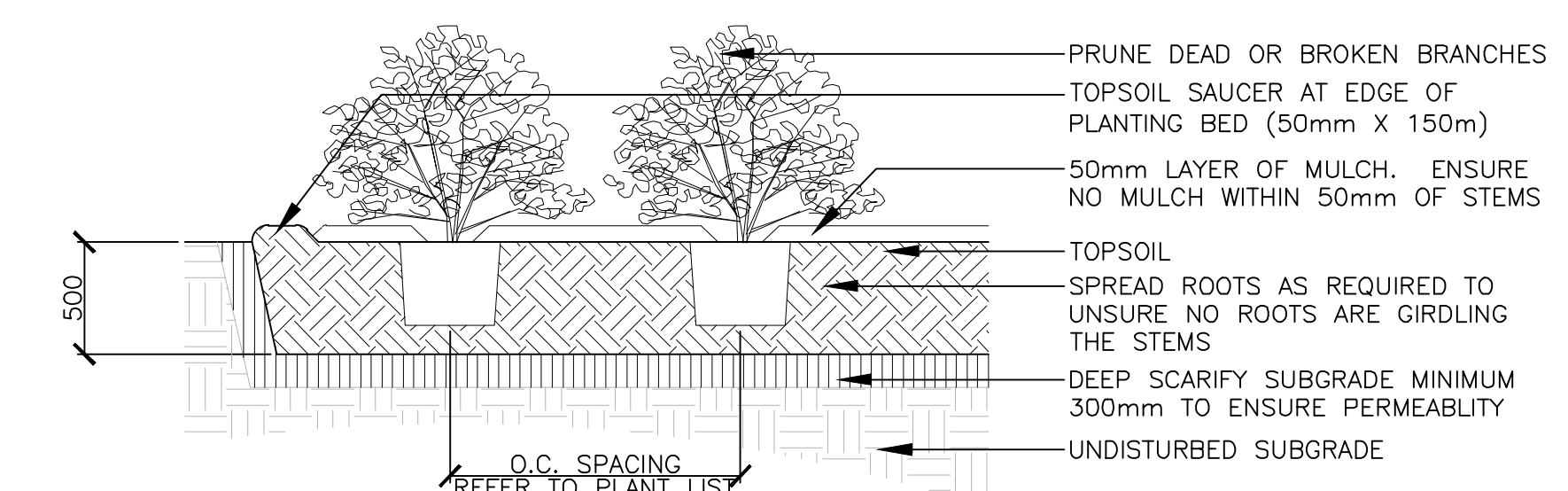


OVER ROOF SLAB SET IN UNIT PAVING

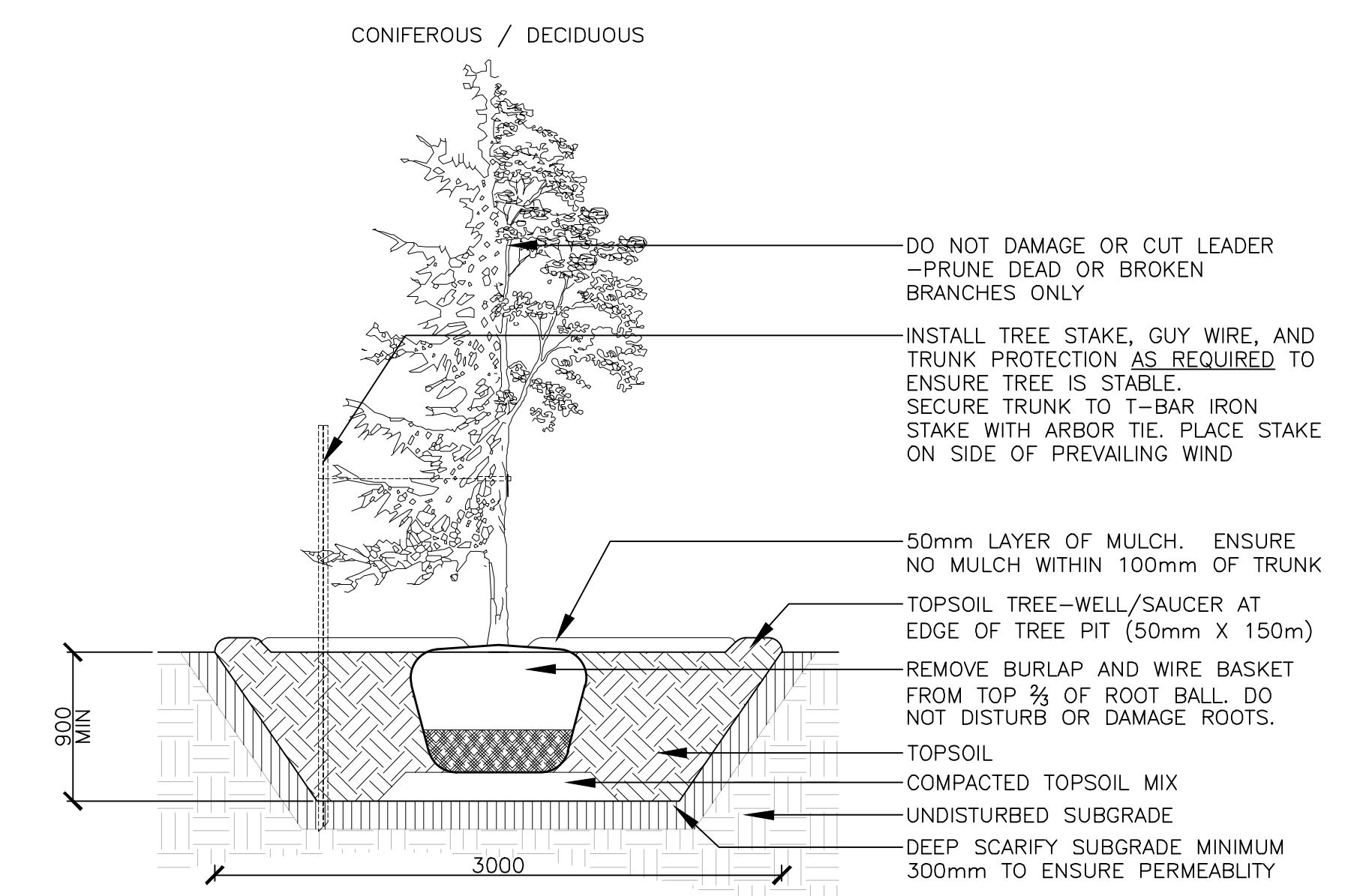


ON-GRADE SET IN CONCRETE PAVING

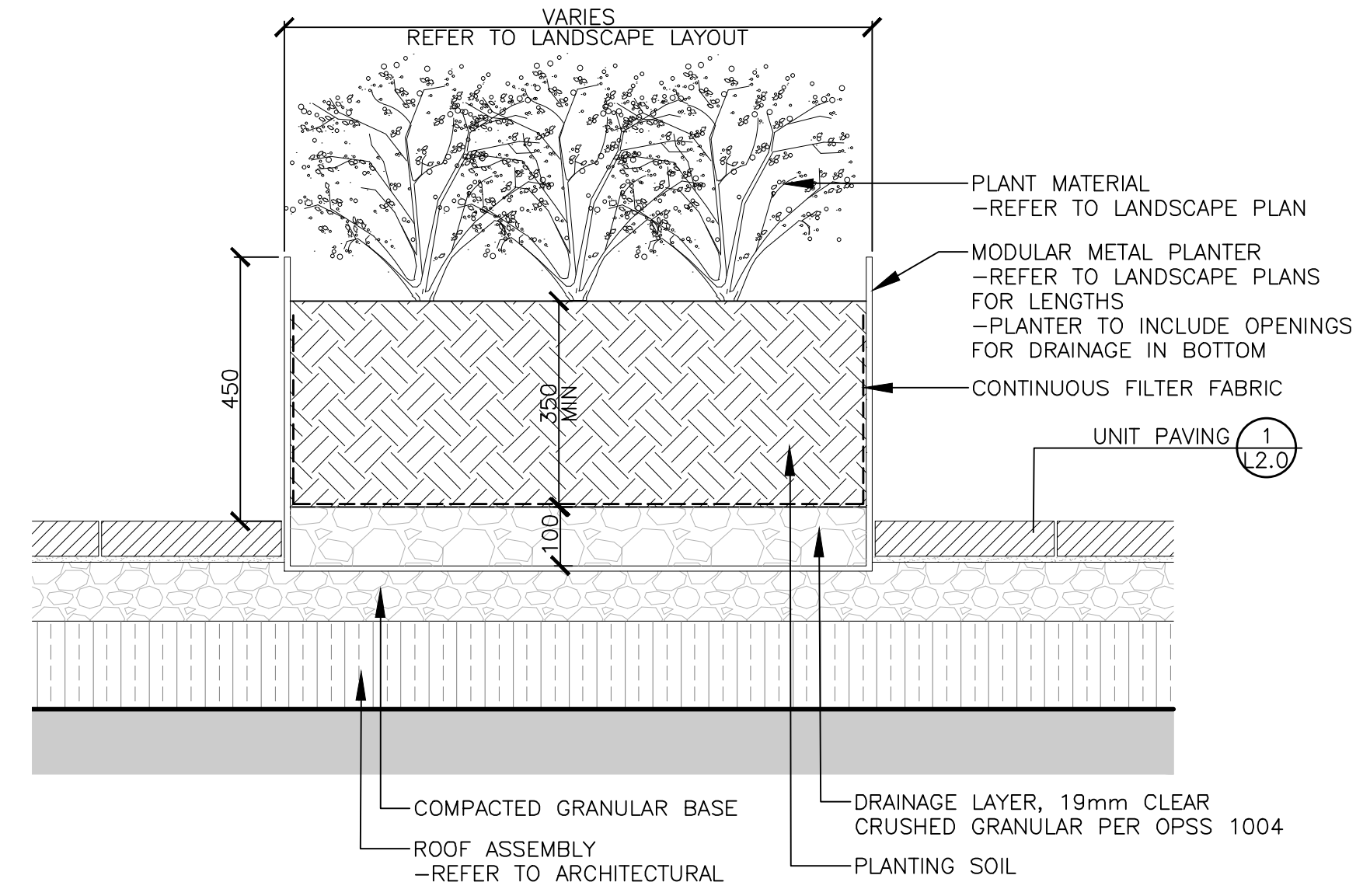
9 BICYCLE PARKING 1:10



NOTES:
 • TOP OF ROOT BALL TO RETAIN SAME ELEVATION AS GROWING CONDITIONS



NOTES:
 • TREE STAKES ARE GENERALLY USED FOR CONDITIONS WHERE THE INSTALLED TREE IS UNSTABLE AND/OR BECOMES UNSTABLE
 • ALLOW 10mm TO 25mm SLACK ON GUY WIRE SUPPORT FOR TREE
 • TOP OF ROOT BALL TO RETAIN SAME ELEVATION AS GROWING CONDITIONS
 • REMOVE STAKES ONE YEAR AFTER INSTALL
 • INSTALL STAKE BEYOND EDGE OF ROOT BALL



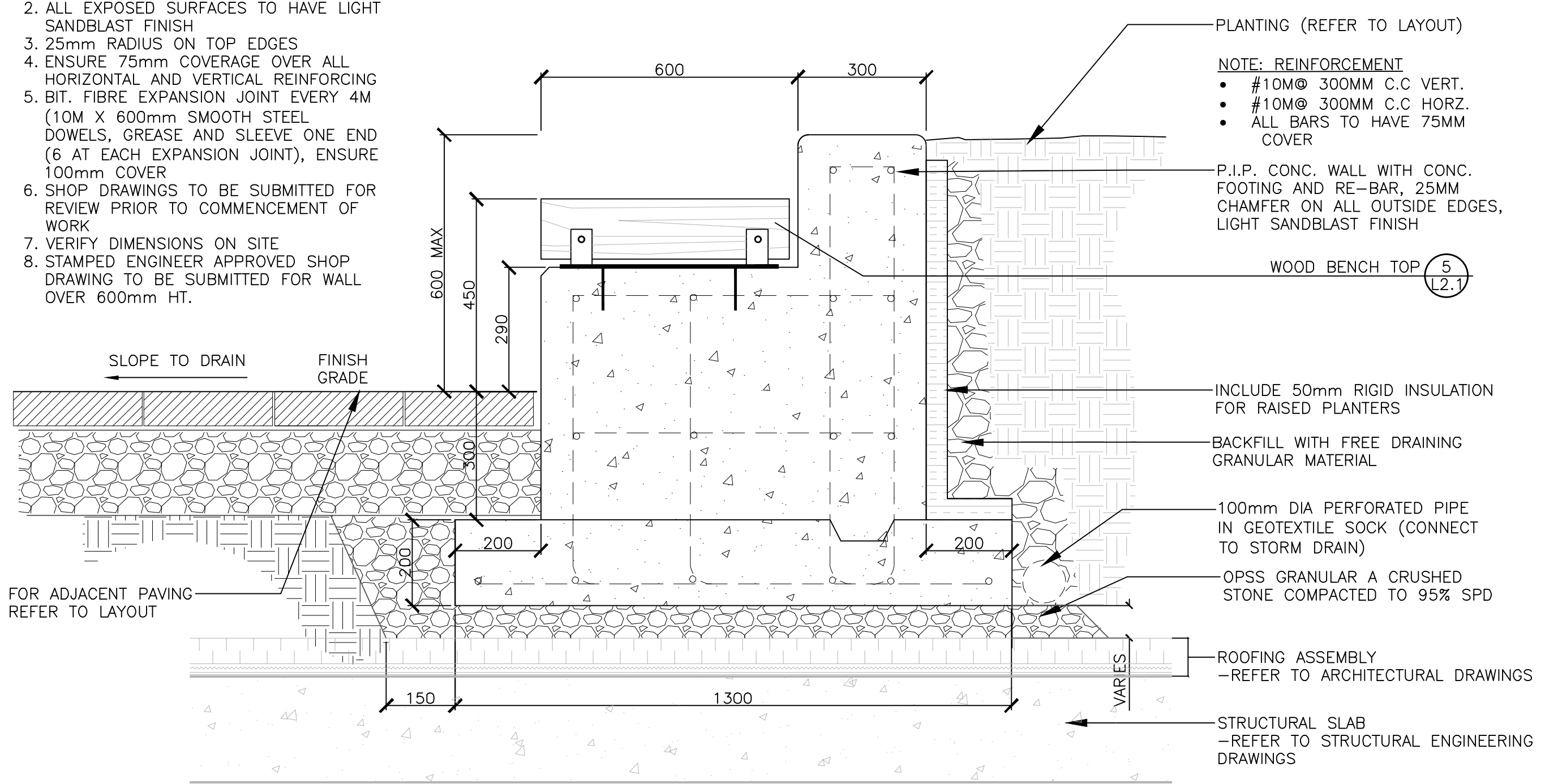
1:10

1 SHRUB PLANTING 1:30

2 TREE PLANTING 1:30

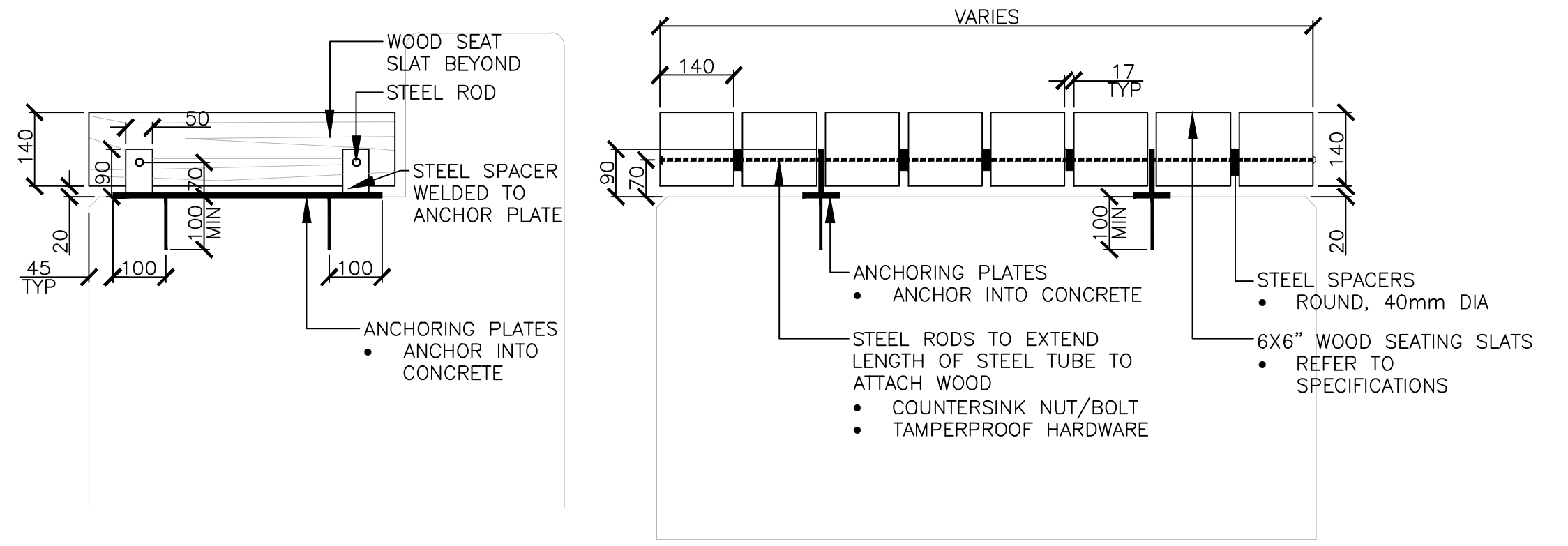
3 RAISED PLANTER 1:10

NOTES:
 1. ALL WALLS TO HAVE ARCHITECTURAL GRADE FORM WORK
 2. ALL EXPOSED SURFACES TO HAVE LIGHT SANDBLAST FINISH
 3. 25mm RADIUS ON TOP EDGES
 4. ENSURE 75mm COVERAGE OVER ALL HORIZONTAL AND VERTICAL REINFORCING
 5. BIT FIBRE EXPANSION JOINT EVERY 4M (10M X 600MM SMOOTH STEEL DOWELS, GREASE AND SLEEVE ONE END (6 AT EACH EXPANSION JOINT), ENSURE 100mm COVER
 6. SHOP DRAWINGS TO BE SUBMITTED FOR REVIEW PRIOR TO COMMENCEMENT OF WORK
 7. VERIFY DIMENSIONS ON SITE
 8. STAMPED ENGINEER APPROVED SHOP DRAWING TO BE SUBMITTED FOR WALL OVER 600mm HT.



1:10

4 PLANTER WALL WITH BENCH 1:10



NOTES:
 1. CONTRACTOR TO SUBMIT SHOP DRAWINGS FOR APPROVAL PRIOR TO FABRICATION INCLUDING BUT NOT LIMITED TO HARDWARE, FINISH, ANCHORING AND INSTALLATION METHOD ETC.
 2. ALL STEEL TO BE GALVANIZED
 3. WOOD SEAT SLATS TO BE WESTERN RED CEDAR, 2X6" UNFINISHED
 3.1. SMOOTH ALL EDGES, ALL WOOD TO BE FREE OF SPLINTERS OR IRREGULARITIES, STABLE AND FREE OF MOVEMENT AFTER INSTALLATION

5 WOOD BENCH TOP 1:10

KEY	BOTANICAL NAME	COMMON NAME	QTY	SIZE	REMARKS
DECIDUOUS TREES					
AC	AMELANCHIER CANADENSIS	SERVICEBERRY	5	TREEFORM 40MM	W.B
AS	ACER SACCHARUM	SUGAR MAPLE	3	50mm CAL.	B&B/W.B
PT	POPULUS TREMULOIDES	TREMBLING ASPEN	9	50mm CAL.	B&B/W.B
QA	QUERCUS ALBA	WHITE OAK	3	50mm CAL.	B&B/W.B
QR	QUERCUS RUBRA	RED OAK	3	50mm CAL.	B&B/W.B
UP	ULMUS AMERICANA 'PRINCETON'	PRINCETON ELM	5	50mm CAL.	B&B/W.B
CONIFEROUS TREES					
PP	PICEA PUNGENS	COLORADO SPRUCE	2	1800mm HT.	B&B/W.B
SHRUBS					
CC	CARPINUS CAROLINIANA	BLUE BEECH	3	GAL.	POT
DK	DIERVILLA KODIAK BLACK	KODIAK BLACK DIERVILLA	3	GAL.	POT
HA	HYDRANGEA ARBORESCENS 'ANNABELLE'	ANNABELLE HYDRANGEA	3	GAL.	POT
HI	HAMAMELIS X INTERMEDIA ARNOLD PROMISE STD	ARNOLD'S PROMISE WITCH HAZEL TREEFORM	3	GAL.	POT
JH	JUNIPERUS HORIZ. 'PRINCE OF WALES'	PRINCE OF WALES JUNIPER	3	GAL.	POT
JG	JUNIPERUS CHINENSIS 'AUREA'	GOLD COAST JUNIPER	3	GAL.	POT
JO	JUNIPERUS VIRGINIANA 'GREY OWL'	GREY OWL JUNIPER	3	GAL.	POT
JS	JUNIPERUS CHINENSIS 'SPARTAN'	SPARTAN JUNIPER	3	GAL.	POT
JV	JUNIPERUS VIRGINIANA CANAERTII	CANAERT RED CEDAR	3	GAL.	POT
MD	MICROBIOTA DECUSSATA	SIBERIAN CARPET CYPRESS	3	GAL.	POT
MP	MALUS PINK SPIRES	PINK SPIRES CRABAPPLE	3	GAL.	POT
PC	PINUS CEMBRA ALGONQUIN PILLAR	ALGONQUIN PILLAR SWISS STONE PINE	3	GAL.	POT
PO	PHYSCOCARPUS OPUFOLIUS 'TINY WINE'	TINY WINE NINEBARK	3	GAL.	POT
PS	PHILADELPHUS X SNOWBELLE	SNOWBELLE MOCK ORANGE	3	GAL.	POT
RA	RHUS AROMATICA 'GRO-LOW'	GRO LOW SUMAC	3	GAL.	POT
SR	SYRINGA RETICULATA IVORY SILK	IVORY SILK LILAC	3	GAL.	POT
SS	SPIRAEA NIPPONICA 'SNOWMOUND'	SNOWMOUND SPIREA	3	GAL.	POT
GRASSES & PERENNIALS					
AF	AGASTACHE FOENICULUM 'BLUE FORTUNE'	ANISE HYSSOP	1	GAL.	POT
BC	BOUTERLOUA CURTIPENDULA	SIDE OATS GAMA	1	GAL.	POT
CA	CALAMAGROTIS ACUTIFLORA 'KARL FOERSTER'	KARL FOERSTER FEATHER REED GRASS	1	GAL.	POT
DC	DESCHAMPSIA CAESPITOSA	TUFTED HAIR GRASS	1	GAL.	POT
SA	SESLERIA AUTUMNALIS	AUTUMN MOORE GRASS	1	GAL.	POT
SB	SCHIZACHYRIUM SCOPARIUM 'THE BLUES'	THE BLUES LITTLE BLUESTEM	1	GAL.	POT
SH	SPOROBOLUS HETEROLEPSIS	PRAIRIE DROPSIED	1	GAL.	POT
SN	SALVIA NEMOROSA 'MAY NIGHT'	MAY NIGHT MEADOW SAGE	1	GAL.	POT
PN	PANICUM VIRGATUM 'NORTHWIND'	NORTHWIND SWITCHGRASS	1	GAL.	POT
PP	PICEA OMDRIKA 'PIMOKO'	PIMOKO DWARF SERBIAN SPRUCE	1	GAL.	POT
TC	TAXUS CUSPIDATA 'MONDLO'	EMERALD SPREADER JAPANESE YEW	116	1 GAL.	POT

6 PRELIMINARY PLANT LIST 1:30



PROJECT TEAM

ARCHITECT
 FAKS ARCHITECTURE
 BRIGGAN GORDON-COOPER
 403.623.3072

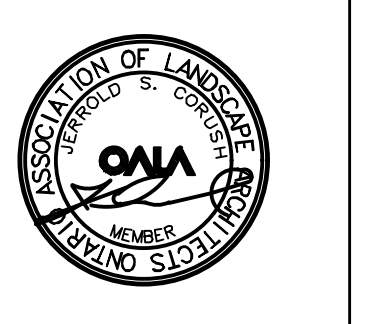
PLANNING
 QI PLANNING & DESIGN
 CHRISTINE NGUYEN
 613.850.8345

CIVIL
 BS GROUP
 DEMETRIUS YANNIPOULOS
 613.447.8804

LANDSCAPE ARCHITECT
 CSW LANDSCAPE ARCHITECTS LTD.
 JERRY CORLIH
 613.866.1008

TRANSPORTATION
 BS GROUP
 BEN PASCOLOCHELLO
 613.225.3311 ext. 66074

ENVIRONMENTAL
 GRADIENT WIND ENGINEERING
 JOSHUA FOSTER
 613.836.9834



RELEASES

NO.	DESCRIPTION	DATE

1050 TAWADINA RD WATERIDGE

1050 TAWADINA RD
 OTTAWA, ON

PART OF BLOCK 11
 REGISTERED PLAN 484-1651
 CITY OF OTTAWA
 ANNIS O'SULLIVAN VOLLEBERG LTD. 2022

22.01.W.U.
 CSW PROJECT NO. 232501

LMSW JC
 22.01.14 AS NOTED

LANDSCAPE DETAILS

9/25/2022

L2.1

THE DRAWING AND DESIGN ARE AT ALL TIMES TO REMAIN THE EXCLUSIVE PROPERTY OF THE ARCHITECT AND MAY NOT BE USED OR REPRODUCED WITHOUT PRIOR WRITTEN CONSENT.