

JEANNE D'ARC BOULEVARD

STREET 3

EXISTING STREET 2

BLOCK "D"
12 B2B TOWNS
BLDG 4

BLOCK "C"
16 B2B TOWNS
BLDG 3

BLOCK "B"
16 B2B TOWNS
BLDG 2

BLOCK "A"
16 B2B TOWNS
BLDG 1

EXISTING STREET 1

PLANT MATERIAL SCHEDULE

CODE	BOTANICAL NAME	COMMON NAME	QTY.	SIZE	REMARKS
DECIDUOUS TREES					
AC	AMELANCHIER CANADENSIS	SHADBLOW SERVICEBERRY	5	50mm cal	B&B, Single Stem
AE	AESCULUS GLABRA	OHIO BUCKEYE	4	50mm cal	B&B, Single Stem
AFJ	ACER x FREEMANII JEFFERSRED	AUTUMN BLAZE MAPLE	5	50mm cal	B&B, Single Stem
AR	ACER RUBRUM	RED MAPLE	1	50mm cal	B&B, Single Stem
AS	ACER SACCHARUM	SUGAR MAPLE	1	50mm cal	B&B, Single Stem
CC	CARYA COROFORMIS	BITTERNUT HICKORY	1	50mm cal	B&B, Single Stem
CCa	CARPINUS CAROLINIANA	BLUE BEECH	2	50mm cal	B&B, Single Stem
CO	CELTIS OCCIDENTALIS	COMMON HACKBERRY	4	50mm cal	B&B, Single Stem
GT	GLEDITSIA TRIACANTHOS SKYLINE	SKYLINE HONEYLOCUST	5	50mm cal	B&B, Single Stem
MK	MALUS KELSEY	KELSEY CRABAPPLE	3	50mm cal	B&B, Single Stem
MS	MALUS SPRING SNOW	SPRING SNOW CRABAPPLE	3	50mm cal	B&B, Single Stem
QM	QUERCUS MACROCARPA	BUR OAK	3	50mm cal	B&B, Single Stem
QR	QUERCUS RUBRA	RED OAK	1	50mm cal	B&B, Single Stem
SR	SYRINGA RETICULATA IVORY SILK	IVORY SILK JAPANESE TREE LILAC	5	50mm cal	B&B, Single Stem
CONIFEROUS TREES					
PG	PICEA GLAUCA	WHITE SPRUCE	7	200 cm ht	B&B
PN	PINUS NIGRA	AUSTRIAN PINE	4	200 cm ht	B&B
PP	PICEA PUNGENS	COLORADO GREEN SPRUCE	4	200 cm ht	B&B
SHRUBS					
AC2	AMELANCHIER CANADENSIS	DOWNY SERVICEBERRY	4	150cm ht	B&B, multi-stem
AP	AESCULUS PARVIFLORA	BOTTLEBRUSH BUCKEYE	48	50cm ht	potted, 100cm o/c
CAIT	CORNUS ALTERNIFOLIA	PAGODA DOGWOOD	5	150cm ht	B&B, multi-stem
HAA	HYDRANGEA ARBORESCENS ANNABELLE	ANNABELLE HYDRANGEA	26	50cm ht	potted, 100cm o/c
JCF	JUNIPERUS CHINENSIS 'FAIRVIEW'	FAIRVIEW JUNIPER	28	100cm ht	potted, 100cm o/c
PFG	POTENTILLA FRUTICOSA GOLDFINGER	GOLDFINGER CINQUEFOIL	17	50cm ht	potted, 100cm o/c
PHV	PHILADELPHUS X VIRGINIALIS	MOCKORANGE	55	50cm ht	potted, 100cm o/c
PM	PINUS MUGO MUGHUS	MUGHO PINE	12	50cm ht	potted, 100cm o/c
PO	PHYSCARPUS OPULIFOLIUS	COMMON NINEBARK	44	50cm ht	potted, 100cm o/c
POG	PHYSCARPUS OPULIFOLIUS DART'S GOLD	DART'S GOLD NINEBARK	26	50cm ht	potted, 100cm o/c
PON	PHYSCARPUS OPULIFOLIUS NANUS	DWARF NINEBARK	19	50cm ht	potted, 100cm o/c
RAU	RIBES AUREUM	FLOWERING CURRANT	12	50cm ht	potted, 100cm o/c
RB	ROSA BLANDA	SHRUB ROSE	70	50cm ht	potted, 100cm o/c
SA	SYMPHORICARPUS ALBUS	SNOWBERRY	16	50cm ht	potted, 100cm o/c
SJAW	SPIRAEA JAPONICA ANTHONY WATERER	ANTHONY WATERER SPIREA	32	50cm ht	potted, 100cm o/c
SJF	SPIRAEA JAPONICA 'FROEBELI'	FROEBEL SPIREA	27	50cm ht	potted, 100cm o/c
SPM	SYRINGA X PRESTONIAE 'MINUET'	MINUET LILAC	36	50cm ht	potted, 100cm o/c
ST	SPIRAEA TRILOBATA	DWARF VANHOUTTEI SPIREA	55	50cm ht	potted, 100cm o/c
VD	VIBURNUM DENTATUM	ARROWWOOD	15	50cm ht	potted, 100cm o/c
VL	VIBURNUM LENTAGO	NANNYBERRY	4	150cm ht	B&B, multi-stem
WFE	WEIGELA FLORIDA 'POLKA'	POLKA WEIGELA	13	50cm ht	potted, 100cm o/c
PERENNIALS					
Ech	ECHINACEA purpurea	PURPLE CONEFLOWER	60	15 cm pot	plant 60cm o/c
Hel	HELIOPSIS helianthoides 'Tuscan Sun'	TUSCAN SUNFLOWER	73	15 cm pot	plant 60cm o/c
LI	LIATRIS spicata 'Floristan Purple'	FLORISTAN PURPLE BLAZING STAR	54	15 cm pot	plant 60cm o/c
Rud	RUDBECKIA laciniata	CUTLEAF CONEFLOWER	114	15 cm pot	plant 60cm o/c
ORNAMENTAL GRASSES					
Cal	CALAMAGROSTIS x acutiflora 'Karl Foerster'	KARL FOERSTER REED GRASS	72	15cm pot	plant 75cm o/c
Pv	PANICUM virgatum	SWITCH GRASS	32	15cm pot	plant 75cm o/c
Sor	SORGHASTRUM nutans	INDIAN GRASS	49	15cm pot	plant 75cm o/c
Spo	SPOROBOLUS heterolepis	PRAIRIE DROPSSEED	14	15cm pot	plant 75cm o/c

LEGEND / SYMBOL

- PROPOSED DECIDUOUS TREE
DETAIL 1/L2.01
- PROPOSED CONIFEROUS TREE
DETAIL 1/L2.01
- PROPOSED SHRUBS, PERENNIALS, ORNAMENTAL GRASSES
DETAIL 1/L2.01
- PROPOSED UNIT PAVERS
TYPE 1
DETAIL 2/L2.01
- PROPOSED UNIT SLABS
TYPE 2
DETAIL 2/L2.01
- PROPOSED UNIT PAVERS
TYPE 3
DETAIL 2/L2.01
- PROPOSED BENCH
DETAIL 6/L2.01
- PROPOSED BICYCLE PARKING SPACES PROVIDED: 2
- PROPOSED BICYCLE RACK
PROPOSED QTY.: 1
DETAIL 4/L2.01
- PROPOSED POST / 3-RAIL FENCE
DETAIL 5/L2.01
- PROPOSED BERM
3H: 1V MAX. SLOPES

GENERAL NOTES

- This drawing shall be read in conjunction with all relevant Architectural, Engineering and related Drawings and Documents.
- Refer to Engineering Drawings for Grading and Servicing.
- Refer to Architectural Drawings for Site layout.
- Contractor shall provide the location(s) of all services/utilities by consulting Municipal Authorities and Utility companies and shall be responsible for adequate protection from damage during construction.
- Plant material shall be No.1 Grade and shall comply with the Metric Guide Specifications For Nursery Stock (latest edition), published by the Canadian Nursery Trades Association.
- Plant Material locations are Schematic / Approximate only. Contractor shall stake out locations on site prior to work.
- Contractor shall guarantee all plant material for a period of one (1) full year from the date of final acceptance.
- Shrubs shall be planted in a continuous prepared bed of 450mm depth planting soil mix covered over with 75mm depth composted pine mulch to finish grade.
- Perennials and Ornamental Grasses shall be planted in a continuous prepared bed of 450mm depth planting soil mix covered over with 75mm depth composted pine mulch to finish grade.
- Sod areas to receive 125mm topsoil. Sod shall be No. 1 quality conforming to the Canadian Nursery Sod Growers Specification.
- Reinstate all areas damaged or disturbed beyond the limit of Work.
- Plant Material substitutions shall not be permitted without written approval from the Consultant.
- Contractor shall advise Consultant a minimum of 48hrs. prior to proceeding landscape work and any required Field Reviews.
- TREE PLANTING SETBACK RESTRICTIONS FOR BUILDING FOUNDATIONS CONFORM TO RECOMMENDATIONS AND STANDARDS SET OUT IN THE GEOTECHNICAL REPORT.
- THIS PLAN HAS BEEN PREPARED FOR MUNICIPAL SITE PLAN APPROVAL ONLY AND MAY NOT BE USED FOR ANY OTHER PURPOSE.**

FOR APPROVAL ONLY

4.	MAY 24/24	RE-ISSUE FOR SPA (3)
3.	AUG.31/23	RE-ISSUE FOR SPA
2.	FEB.10/23	ISSUE SPA
1.	FEB.3/23	ISSUE FOR REVIEW / COORDINATION

North Arrow

Stamp

Contractor shall check and verify all dimensions on site and report all errors and/or omissions to the Consultant.
Work to be done in accordance with all applicable codes and by-laws.
Do not scale Drawing.
This Drawing shall not be used for construction until signed by the Consultant.
Copyright reserved. This Drawing is the exclusive property of Levstek Consultants Inc. and shall not be used without consent.

Consultant

LEVSTEK CONSULTANTS
LANDSCAPE ARCHITECTS

5871 Hugh Crescent - Ottawa, Ontario - K2A 2W0
613 - 824 - 8318

Client

NORTH AMERICAN DEVELOPMENT GROUP

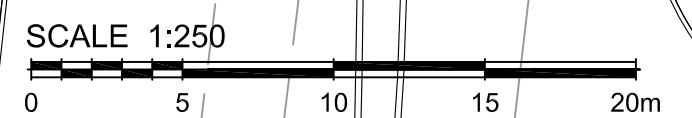
Project

ORLEANS GARDENS
1615 ORLEANS BOULEVARD
ORLEANS, ONTARIO

Drawing Title

LANDSCAPE PLAN

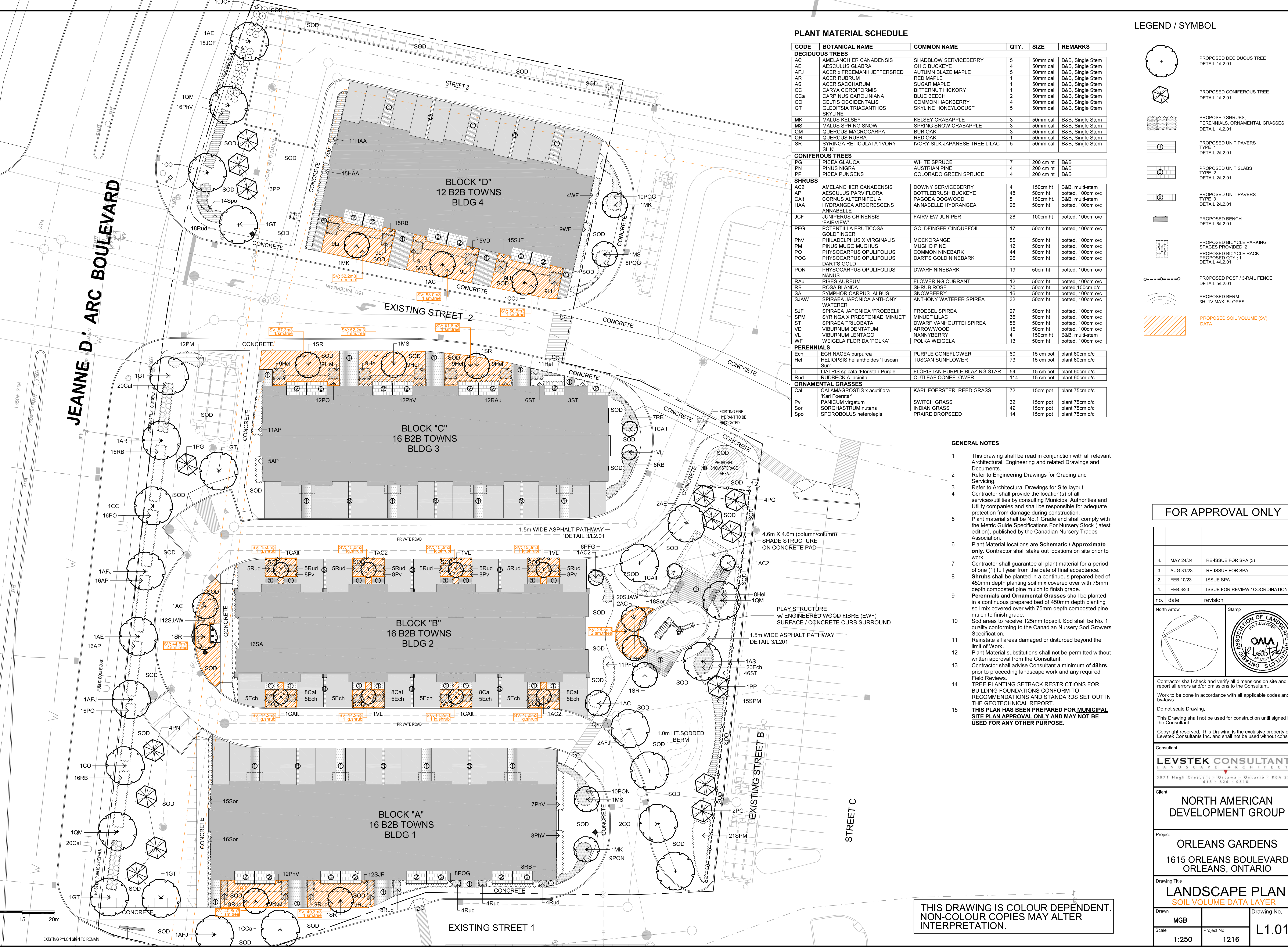
Drawing No.	L1.01
Scale	1:250
Project No.	1216



THIS DRAWING IS COLOUR DEPENDENT.
NON-COLOUR COPIES MAY ALTER INTERPRETATION.

D07-12-23-0026

JEANNE D'ARC BOULEVARD



PLANT MATERIAL SCHEDULE

CODE	BOTANICAL NAME	COMMON NAME	QTY.	SIZE	REMARKS
DECIDUOUS TREES					
AC	AMELANCHIER CANADENSIS	SHADBLOW SERVICEBERRY	5	50mm cal	B&B, Single Stem
AE	AESCULUS GLABRA	OHIO BUCKEYE	4	50mm cal	B&B, Single Stem
AFJ	ACER x FREEMANII JEFFERSRED	AUTUMN BLAZE MAPLE	5	50mm cal	B&B, Single Stem
AR	ACER RUBRUM	RED MAPLE	1	50mm cal	B&B, Single Stem
AS	ACER SACCHARUM	SUGAR MAPLE	1	50mm cal	B&B, Single Stem
CC	CARYA COROFORMIS	BITTERNUT HICKORY	1	50mm cal	B&B, Single Stem
CCa	CARPINUS CAROLINIANA	BLUE BEECH	2	50mm cal	B&B, Single Stem
CO	CELTIS OCCIDENTALIS	COMMON HACKBERRY	4	50mm cal	B&B, Single Stem
GT	GLEDITSIA TRIACANTHOS SKYLINE	SKYLINE HONEYLOCUST	5	50mm cal	B&B, Single Stem
MK	MALUS KELSEY	KELSEY CRABAPPLE	3	50mm cal	B&B, Single Stem
MS	MALUS SPRING SNOW	SPRING SNOW CRABAPPLE	3	50mm cal	B&B, Single Stem
QM	QUERCUS MACROCARPA	BUR OAK	3	50mm cal	B&B, Single Stem
QR	QUERCUS RUBRA	RED OAK	1	50mm cal	B&B, Single Stem
SR	SYRINGA RETICULATA IVORY SILK	IVORY SILK JAPANESE TREE LILAC	5	50mm cal	B&B, Single Stem
CONIFEROUS TREES					
PG	PICEA GLAUCA	WHITE SPRUCE	7	200 cm ht	B&B
PN	PINUS NIGRA	AUSTRIAN PINE	4	200 cm ht	B&B
PP	PICEA PUNGENS	COLORADO GREEN SPRUCE	4	200 cm ht	B&B
SHRUBS					
AC2	AMELANCHIER CANADENSIS	DOWNY SERVICEBERRY	4	150cm ht	B&B, multi-stem
AP	AESCULUS PARVIFLORA	BOTTLEBRUSH BUCKEYE	48	50cm ht	potted, 100cm o/c
CAIT	CORNUS ALTERNIFOLIA	PAGODA DOGWOOD	5	150cm ht	B&B, multi-stem
HAA	HYDRANGEA ARBORESCENS ANNABELLE	ANNABELLE HYDRANGEA	26	50cm ht	potted, 100cm o/c
JCF	JUNIPERUS CHINENSIS 'FAIRVIEW'	FAIRVIEW JUNIPER	28	100cm ht	potted, 100cm o/c
PFG	POTENTILLA FRUTICOSA GOLDFINGER	GOLDFINGER CINQUEFOIL	17	50cm ht	potted, 100cm o/c
PHV	PHILADELPHUS X VIRGINIALIS	MOCKORANGE	55	50cm ht	potted, 100cm o/c
PM	PINUS MUGO MUGHUS	MUGHO PINE	12	50cm ht	potted, 100cm o/c
PO	PHYSCARPUS OPULIFOLIUS	COMMON NINEBARK	44	50cm ht	potted, 100cm o/c
POG	PHYSCARPUS OPULIFOLIUS DART'S GOLD	DART'S GOLD NINEBARK	26	50cm ht	potted, 100cm o/c
PON	PHYSCARPUS OPULIFOLIUS NANUS	DWARF NINEBARK	19	50cm ht	potted, 100cm o/c
RAU	RIBES AUREUM	FLOWERING CURRANT	12	50cm ht	potted, 100cm o/c
RB	ROSA BLANDA	SHRUB ROSE	70	50cm ht	potted, 100cm o/c
SA	SYMPHORICARPUS ALBUS	SNOWBERRY	16	50cm ht	potted, 100cm o/c
SJAW	SPIRAEA JAPONICA ANTHONY WATERER	ANTHONY WATERER SPIREA	32	50cm ht	potted, 100cm o/c
SJF	SPIRAEA JAPONICA 'FROEBELI'	FROEBEL SPIREA	27	50cm ht	potted, 100cm o/c
SPM	SYRINGA X PRESTONIAE 'MINUET'	MINUET LILAC	36	50cm ht	potted, 100cm o/c
ST	SPIRAEA TRILOBATA	DWARF VANHOUTTEI SPIREA	55	50cm ht	potted, 100cm o/c
VD	VIBURNUM DENTATUM	ARROWWOOD	15	50cm ht	potted, 100cm o/c
VL	VIBURNUM LENTAGO	NANNYBERRY	4	150cm ht	B&B, multi-stem
WLF	WEIGELA FLORIDA 'POLKA'	POLKA WEIGELA	13	50cm ht	potted, 100cm o/c
PERENNIALS					
Ech	ECHINACEA purpurea	PURPLE CONEFLOWER	60	15 cm pot	plant 60cm o/c
Hel	HELIOPSIS helianthoides 'Tuscan Sun'	TUSCAN SUNFLOWER	73	15 cm pot	plant 60cm o/c
LI	LIATRIS spicata 'Floristan Purple'	FLORISTAN PURPLE BLAZING STAR	54	15 cm pot	plant 60cm o/c
Rud	RUDBECKIA laciniata	CUTLEAF CONEFLOWER	114	15 cm pot	plant 60cm o/c
ORNAMENTAL GRASSES					
Cal	CALAMAGROSTIS x acutiflora 'Karl Foerster'	KARL FOERSTER REED GRASS	72	15cm pot	plant 75cm o/c
Pv	PANICUM virgatum	SWITCH GRASS	32	15cm pot	plant 75cm o/c
Sor	SORGHASTRUM nutans	INDIAN GRASS	49	15cm pot	plant 75cm o/c
Spo	SPOROBOLUS heterolepis	PRAIRIE DROPSEED	14	15cm pot	plant 75cm o/c

LEGEND / SYMBOL

- PROPOSED DECIDUOUS TREE DETAIL 1/L2.01
- PROPOSED CONIFEROUS TREE DETAIL 1/L2.01
- PROPOSED SHRUBS, PERENNIALS, ORNAMENTAL GRASSES DETAIL 1/L2.01
- PROPOSED UNIT PAVERS TYPE 1 DETAIL 2/L2.01
- PROPOSED UNIT SLABS TYPE 2 DETAIL 2/L2.01
- PROPOSED UNIT PAVERS TYPE 3 DETAIL 2/L2.01
- PROPOSED BENCH DETAIL 6/L2.01
- PROPOSED BICYCLE PARKING SPACES PROVIDED: 2
- PROPOSED BICYCLE RACK PROPOSED QTY.: 1 DETAIL 4/L2.01
- PROPOSED POST / 3-RAIL FENCE DETAIL 5/L2.01
- PROPOSED BENCH DETAIL 6/L2.01
- PROPOSED SOIL VOLUME (SV) DATA

- ### GENERAL NOTES
- This drawing shall be read in conjunction with all relevant Architectural, Engineering and related Drawings and Documents.
 - Refer to Engineering Drawings for Grading and Servicing.
 - Refer to Architectural Drawings for Site layout.
 - Contractor shall provide the location(s) of all services/utilities by consulting Municipal Authorities and Utility companies and shall be responsible for adequate protection from damage during construction.
 - Plant material shall be No.1 Grade and shall comply with the Metric Guide Specifications For Nursery Stock (latest edition), published by the Canadian Nursery Trades Association.
 - Plant Material locations are Schematic / Approximate only. Contractor shall stake out locations on site prior to work.
 - Contractor shall guarantee all plant material for a period of one (1) full year from the date of final acceptance.
 - Shrubs shall be planted in a continuous prepared bed of 450mm depth planting soil mix covered over with 75mm depth composted pine mulch to finish grade.
 - Perennials and Ornamental Grasses shall be planted in a continuous prepared bed of 450mm depth planting soil mix covered over with 75mm depth composted pine mulch to finish grade.
 - Sod areas to receive 125mm topsoil. Sod shall be No. 1 quality conforming to the Canadian Nursery Sod Growers Specification.
 - Reinstate all areas damaged or disturbed beyond the limit of Work.
 - Plant Material substitutions shall not be permitted without written approval from the Consultant.
 - Contractor shall advise Consultant a minimum of 48hrs. prior to proceeding landscape work and any required Field Reviews.
 - TREE PLANTING SETBACK RESTRICTIONS FOR BUILDING FOUNDATIONS CONFORM TO RECOMMENDATIONS AND STANDARDS SET OUT IN THE GEOTECHNICAL REPORT.
 - THIS PLAN HAS BEEN PREPARED FOR MUNICIPAL SITE PLAN APPROVAL ONLY AND MAY NOT BE USED FOR ANY OTHER PURPOSE.**

FOR APPROVAL ONLY

no.	date	revision
4.	MAY 24/24	RE-ISSUE FOR SPA (3)
3.	AUG.31/23	RE-ISSUE FOR SPA
2.	FEB.10/23	ISSUE SPA
1.	FEB.3/23	ISSUE FOR REVIEW / COORDINATION

North Arrow

Contractor shall check and verify all dimensions on site and report all errors and/or omissions to the Consultant.
 Work to be done in accordance with all applicable codes and by-laws.
 Do not scale Drawing.
 This Drawing shall not be used for construction until signed by the Consultant.
 Copyright reserved. This Drawing is the exclusive property of Levstek Consultants Inc. and shall not be used without consent.

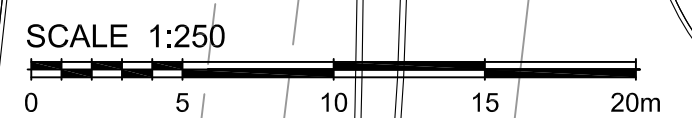
Consultant
LEVSTEK CONSULTANTS
 LANDSCAPE ARCHITECTS
 5871 Hugh Crescent - Ottawa - Ontario - K2A 2W0
 613 - 824 - 8318

Client
NORTH AMERICAN DEVELOPMENT GROUP

Project
ORLEANS GARDENS
 1615 ORLEANS BOULEVARD
 ORLEANS, ONTARIO

Drawing Title
LANDSCAPE PLAN
SOIL VOLUME DATA LAYER

Drawn	MGB	Project No.	L1.01B
Scale	1:250		



THIS DRAWING IS COLOUR DEPENDENT. NON-COLOUR COPIES MAY ALTER INTERPRETATION.

D07-12-23-0026

JEANNE D'ARC BOULEVARD



PLANT MATERIAL SCHEDULE

CODE	BOTANICAL NAME	COMMON NAME	QTY.	SIZE	REMARKS
DECIDUOUS TREES					
AC	AMELANCHIER CANADENSIS	SHADBLOW SERVICEBERRY	5	50mm cal	B&B, Single Stem
AE	AESCULUS GLABRA	OHIO BUCKEYE	4	50mm cal	B&B, Single Stem
AFJ	ACER x FREEMANNI JEFFERSRED	AUTUMN BLAZE MAPLE	5	50mm cal	B&B, Single Stem
AR	ACER RUBRUM	RED MAPLE	1	50mm cal	B&B, Single Stem
AS	ACER SACCHARUM	SUGAR MAPLE	1	50mm cal	B&B, Single Stem
CC	CARYA COROFORMIS	BITTERNUT HICKORY	1	50mm cal	B&B, Single Stem
CCa	CARPINUS CAROLINIANA	BLUE BEECH	2	50mm cal	B&B, Single Stem
CO	CELTIS OCCIDENTALIS	COMMON HACKBERRY	4	50mm cal	B&B, Single Stem
GT	GLEDITSIA TRIACANTHOS SKYLINE	SKYLINE HONEYLOCUST	5	50mm cal	B&B, Single Stem
MK	MALUS KELSEY	KELSEY CRABAPPLE	3	50mm cal	B&B, Single Stem
MS	MALUS SPRING SNOW	SPRING SNOW CRABAPPLE	3	50mm cal	B&B, Single Stem
QM	QUERCUS MACROCARPA	BUR OAK	3	50mm cal	B&B, Single Stem
QR	QUERCUS RUBRA	RED OAK	1	50mm cal	B&B, Single Stem
SR	SYRINGA RETICULATA IVORY SILK	IVORY SILK JAPANESE TREE LILAC	5	50mm cal	B&B, Single Stem
CONIFEROUS TREES					
PG	PICEA GLAUCA	WHITE SPRUCE	7	200 cm ht	B&B
PN	PINUS NIGRA	AUSTRIAN PINE	4	200 cm ht	B&B
PP	PICEA PUNGENS	COLORADO GREEN SPRUCE	4	200 cm ht	B&B
SHRUBS					
AC2	AMELANCHIER CANADENSIS	DOWNY SERVICEBERRY	4	150cm ht	B&B, multi-stem
AP	AESCULUS PARVIFLORA	BOTTLEBRUSH BUCKEYE	48	50cm ht	potted, 100cm o/c
CAIT	CORNUS ALTERNIFOLIA	PAGODA DOGWOOD	5	150cm ht	B&B, multi-stem
HAA	HYDRANGEA ARBORESCENS ANNABELLE	ANNABELLE HYDRANGEA	26	50cm ht	potted, 100cm o/c
JCF	JUNIPERUS CHINENSIS 'FAIRVIEW'	FAIRVIEW JUNIPER	28	100cm ht	potted, 100cm o/c
PFG	POTENTILLA FRUTICOSA GOLDFINGER	GOLDFINGER CINQUEFOIL	17	50cm ht	potted, 100cm o/c
PHV	PHILADELPHUS X VIRGINIALIS	MOCKORANGE	55	50cm ht	potted, 100cm o/c
PM	PINUS MUGO MUGHUS	MUGHO PINE	12	50cm ht	potted, 100cm o/c
PO	PHYSCARPUS OPULIFOLIUS	COMMON NINEBARK	44	50cm ht	potted, 100cm o/c
POG	PHYSCARPUS OPULIFOLIUS DART'S GOLD	DART'S GOLD NINEBARK	26	50cm ht	potted, 100cm o/c
PON	PHYSCARPUS OPULIFOLIUS NANUS	DWARF NINEBARK	19	50cm ht	potted, 100cm o/c
RAU	RIBES AUREUM	FLOWERING CURRANT	12	50cm ht	potted, 100cm o/c
RB	ROSA BLANDA	SHRUB ROSE	70	50cm ht	potted, 100cm o/c
SA	SYMPHORICARPUS ALBUS	SNOWBERRY	16	50cm ht	potted, 100cm o/c
SJAW	SPIRAEA JAPONICA ANTHONY WATERER	ANTHONY WATERER SPIREA	32	50cm ht	potted, 100cm o/c
SJF	SPIRAEA JAPONICA 'FROEBELII'	FROEBEL SPIREA	27	50cm ht	potted, 100cm o/c
SPM	SYRINGA X PRESTONIAE 'MINUET'	MINUET LILAC	36	50cm ht	potted, 100cm o/c
ST	SPIRAEA TRILOBATA	DWARF VANHOUTTEI SPIREA	55	50cm ht	potted, 100cm o/c
VD	VIBURNUM DENTATUM	ARROWWOOD	15	50cm ht	potted, 100cm o/c
VL	VIBURNUM LENTAGO	NANNYBERRY	4	150cm ht	B&B, multi-stem
WLF	WEIGELA FLORIDA 'POLKA'	POLKA WEIGELA	13	50cm ht	potted, 100cm o/c
PERENNIALS					
Ech	ECHINACEA purpurea	PURPLE CONEFLOWER	60	15 cm pot	plant 60cm o/c
Hel	HELIOPSIS helianthoides 'Tuscan Sun'	TUSCAN SUNFLOWER	73	15 cm pot	plant 60cm o/c
LI	Liatris spicata 'Floristan Purple'	FLORISTAN PURPLE BLAZING STAR	54	15 cm pot	plant 60cm o/c
Rud	RUDBECKIA laciniata	CUTLEAF CONEFLOWER	114	15 cm pot	plant 60cm o/c
ORNAMENTAL GRASSES					
Cal	CALAMAGROSTIS x acutiflora 'Karl Foerster'	KARL FOERSTER REED GRASS	72	15cm pot	plant 75cm o/c
Pv	PANICUM virgatum	SWITCH GRASS	32	15cm pot	plant 75cm o/c
Sor	SORGHASTRUM nutans	INDIAN GRASS	49	15cm pot	plant 75cm o/c
Spo	SPOROBOLUS heterolepis	PRAIRIE DROPSSEED	14	15cm pot	plant 75cm o/c

LEGEND / SYMBOL

- PROPOSED DECIDUOUS TREE DETAIL 1/L2.01
- PROPOSED CONIFEROUS TREE DETAIL 1/L2.01
- PROPOSED SHRUBS, PERENNIALS, ORNAMENTAL GRASSES DETAIL 1/L2.01
- PROPOSED UNIT PAVERS TYPE 1 DETAIL 2/L2.01
- PROPOSED UNIT SLABS TYPE 2 DETAIL 2/L2.01
- PROPOSED UNIT PAVERS TYPE 3 DETAIL 2/L2.01
- PROPOSED BENCH DETAIL 6/L2.01
- PROPOSED BICYCLE PARKING SPACES PROVIDED: 2
- PROPOSED BICYCLE RACK PROPOSED QTY.: 1 DETAIL 4/L2.01
- PROPOSED POST / 3-RAIL FENCE DETAIL 5/L2.01
- PROPOSED BENCH 3H:1V MAX. SLOPES
- 4.5m TREE PLANTING SETBACK
- 7.5m TREE PLANTING SETBACK

- GENERAL NOTES**
- This drawing shall be read in conjunction with all relevant Architectural, Engineering and related Drawings and Documents.
 - Refer to Engineering Drawings for Grading and Servicing.
 - Refer to Architectural Drawings for Site layout.
 - Contractor shall provide the location(s) of all services/utilities by consulting Municipal Authorities and Utility companies and shall be responsible for adequate protection from damage during construction.
 - Plant material shall be No.1 Grade and shall comply with the Metric Guide Specifications For Nursery Stock (latest edition), published by the Canadian Nursery Trades Association.
 - Plant Material locations are Schematic / Approximate only. Contractor shall stake out locations on site prior to work.
 - Contractor shall guarantee all plant material for a period of one (1) full year from the date of final acceptance.
 - Shrubs shall be planted in a continuous prepared bed of 450mm depth planting soil mix covered over with 75mm depth composted pine mulch to finish grade.
 - Perennials and Ornamental Grasses shall be planted in a continuous prepared bed of 450mm depth planting soil mix covered over with 75mm depth composted pine mulch to finish grade.
 - Sod areas to receive 125mm topsoil. Sod shall be No. 1 quality conforming to the Canadian Nursery Sod Growers Specification.
 - Reinstate all areas damaged or disturbed beyond the limit of Work.
 - Plant Material substitutions shall not be permitted without written approval from the Consultant.
 - Contractor shall advise Consultant a minimum of 48hrs. prior to proceeding landscape work and any required Field Reviews.
 - TREE PLANTING SETBACK RESTRICTIONS FOR BUILDING FOUNDATIONS CONFORM TO RECOMMENDATIONS AND STANDARDS SET OUT IN THE GEOTECHNICAL REPORT.
 - THIS PLAN HAS BEEN PREPARED FOR MUNICIPAL SITE PLAN APPROVAL ONLY AND MAY NOT BE USED FOR ANY OTHER PURPOSE.**

FOR APPROVAL ONLY

4.	MAY 24/24	RE-ISSUE FOR SPA (3)
3.	AUG.31/23	RE-ISSUE FOR SPA
2.	FEB.10/23	ISSUE SPA
1.	FEB.3/23	ISSUE FOR REVIEW / COORDINATION

North Arrow

Contractor shall check and verify all dimensions on site and report all errors and/or omissions to the Consultant.
 Work to be done in accordance with all applicable codes and by-laws.
 Do not scale Drawing.
 This Drawing shall not be used for construction until signed by the Consultant.
 Copyright reserved. This Drawing is the exclusive property of Levstek Consultants Inc. and shall not be used without consent.

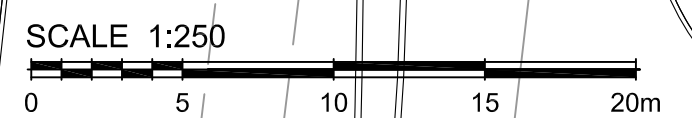
Consultant
LEVSTEK CONSULTANTS
 LANDSCAPE ARCHITECTS
 5871 Hugh Crescent - Ottawa - Ontario - K8A 2W0
 613 - 824 - 8318

Client
NORTH AMERICAN DEVELOPMENT GROUP

Project
ORLEANS GARDENS
 1615 ORLEANS BOULEVARD
 ORLEANS, ONTARIO

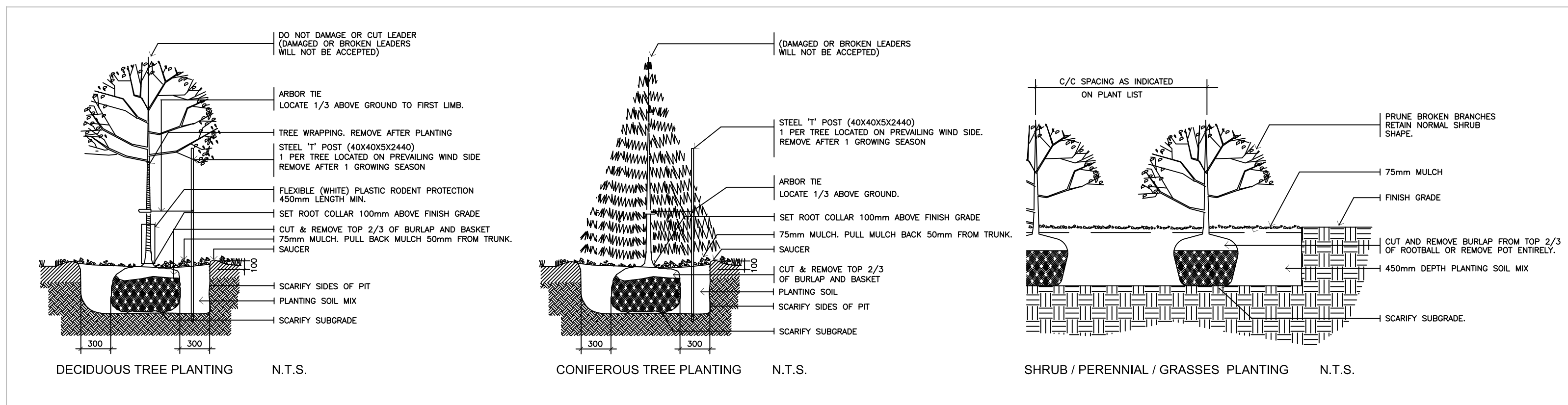
Drawing Title
LANDSCAPE PLAN
 SENSITIVE SOILS SETBACK LAYER

Drawn MGB	Project No. 1216	Drawing No. L1.01C
--------------	---------------------	-----------------------

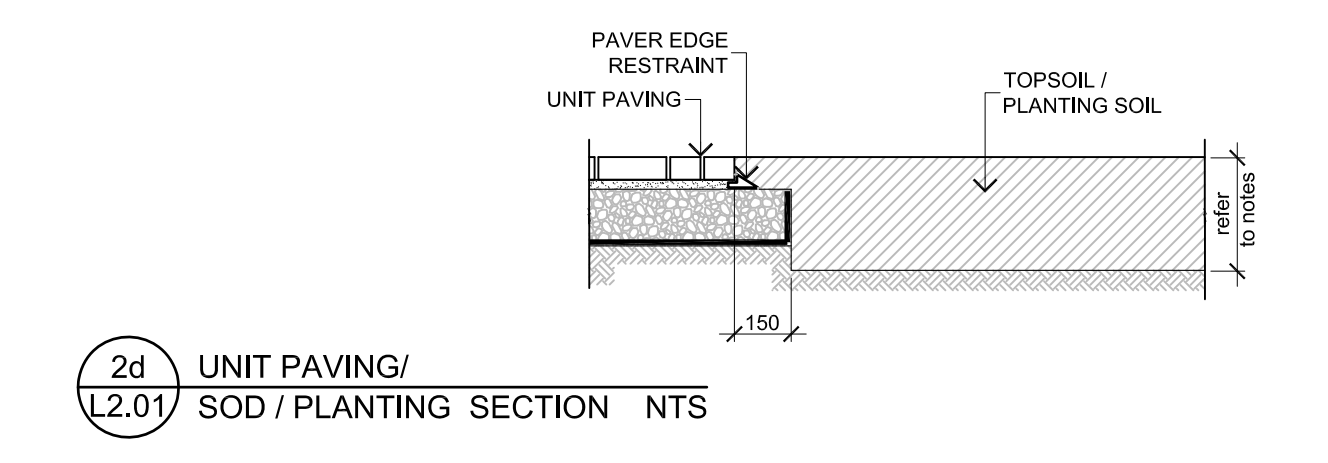
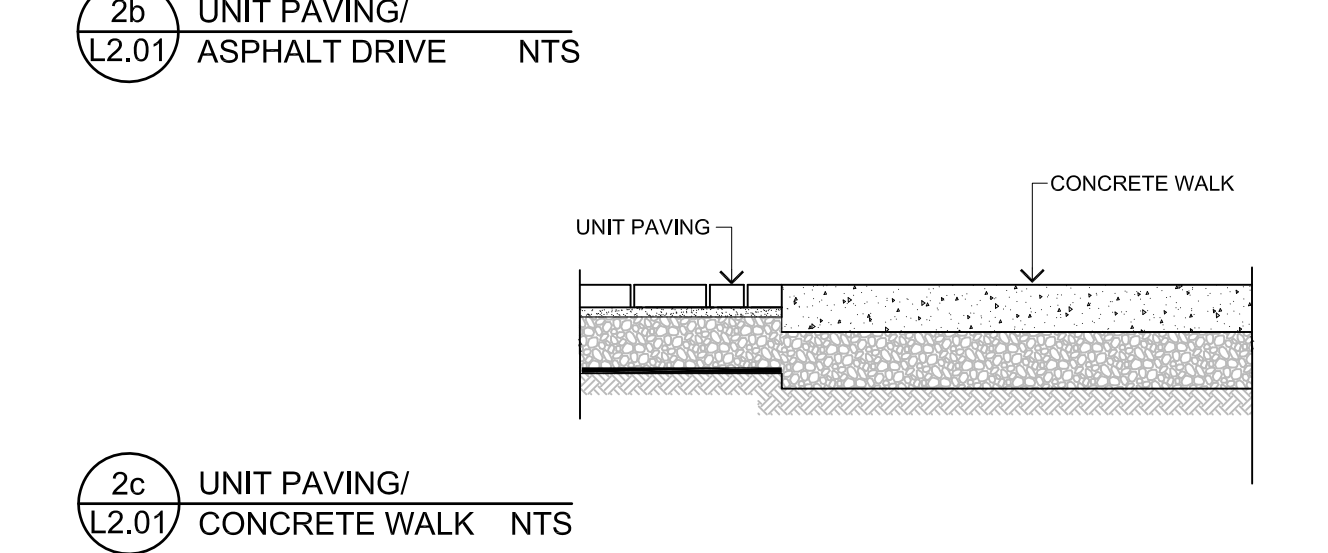
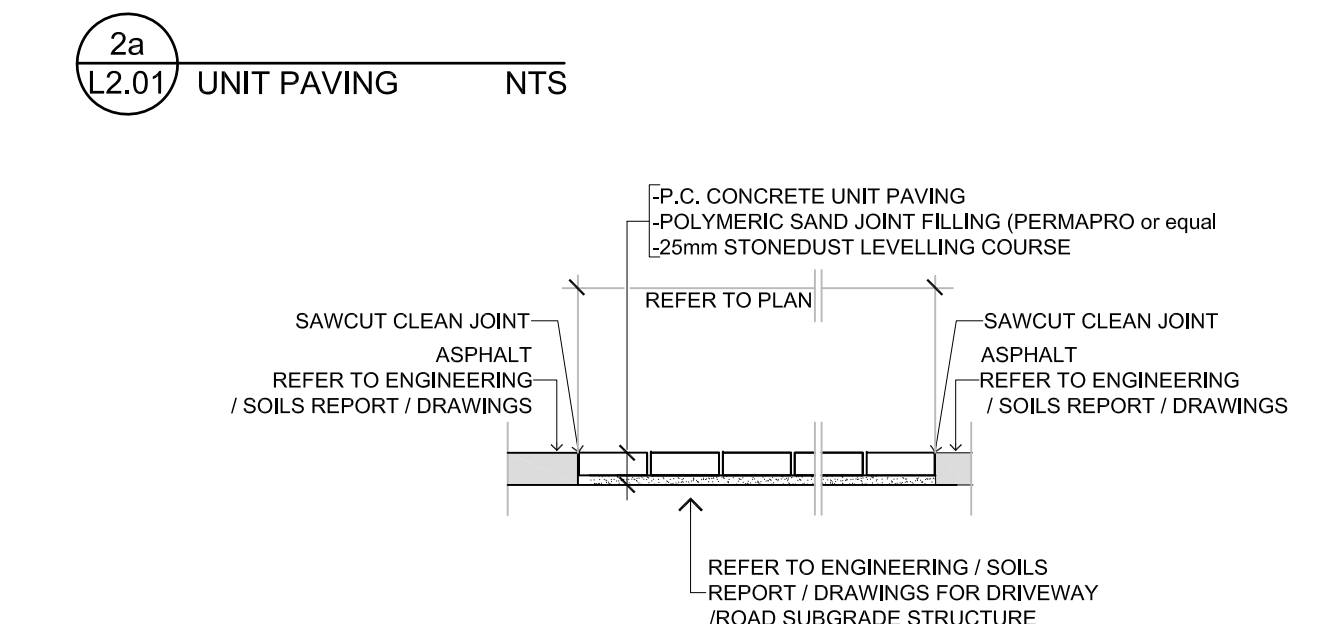
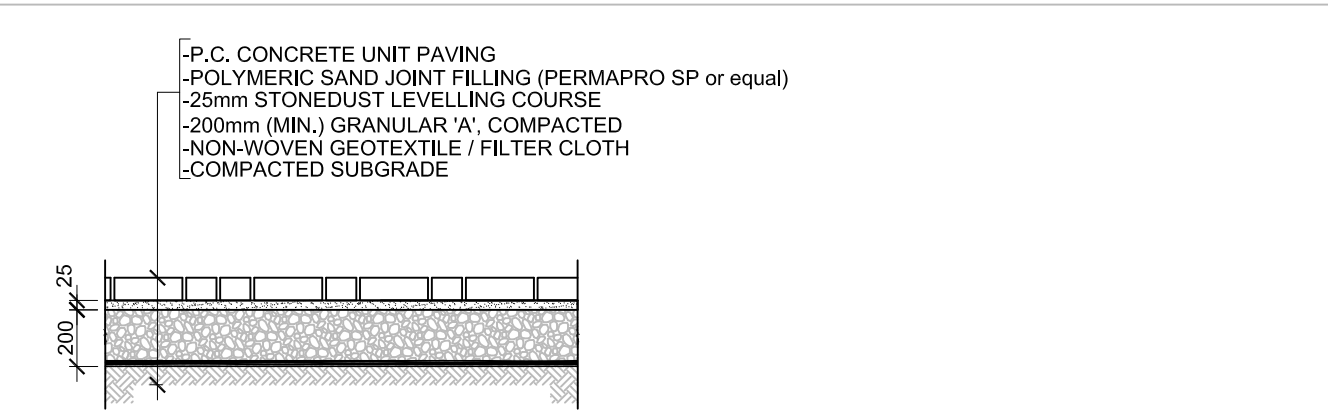


THIS DRAWING IS COLOUR DEPENDENT. NON-COLOUR COPIES MAY ALTER INTERPRETATION.

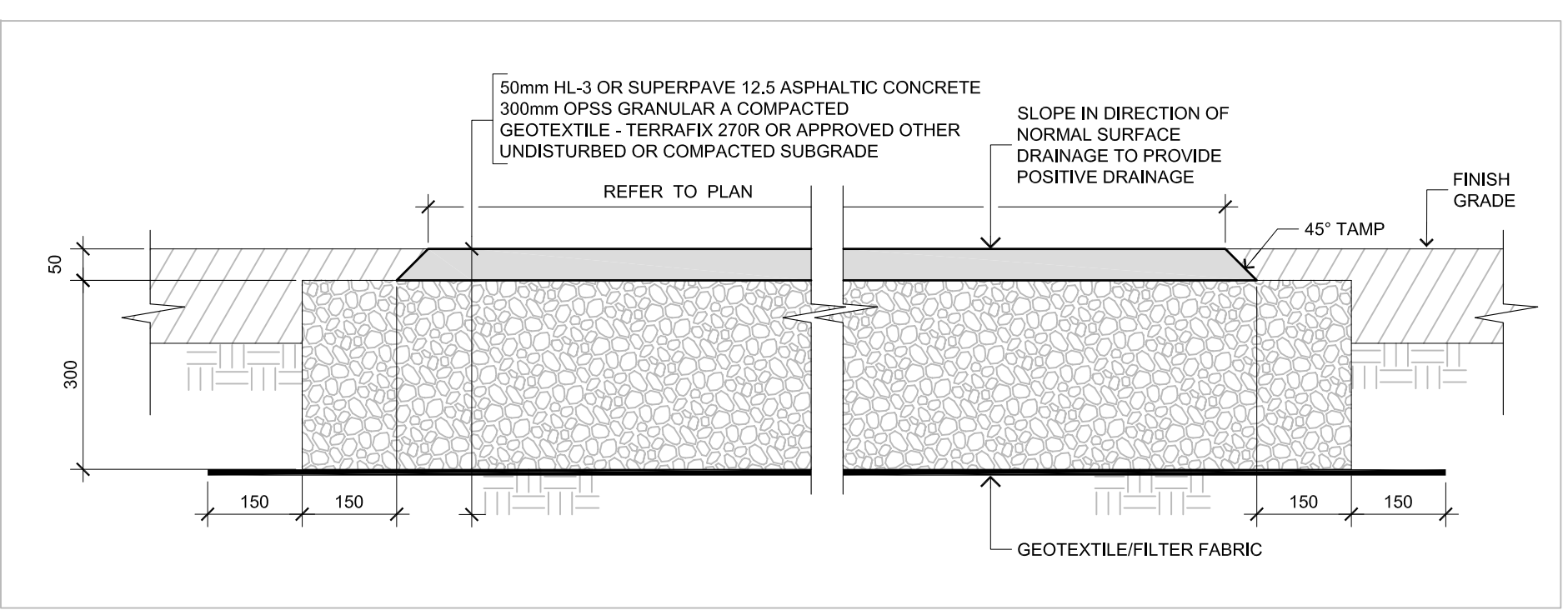
D07-12-23-0026



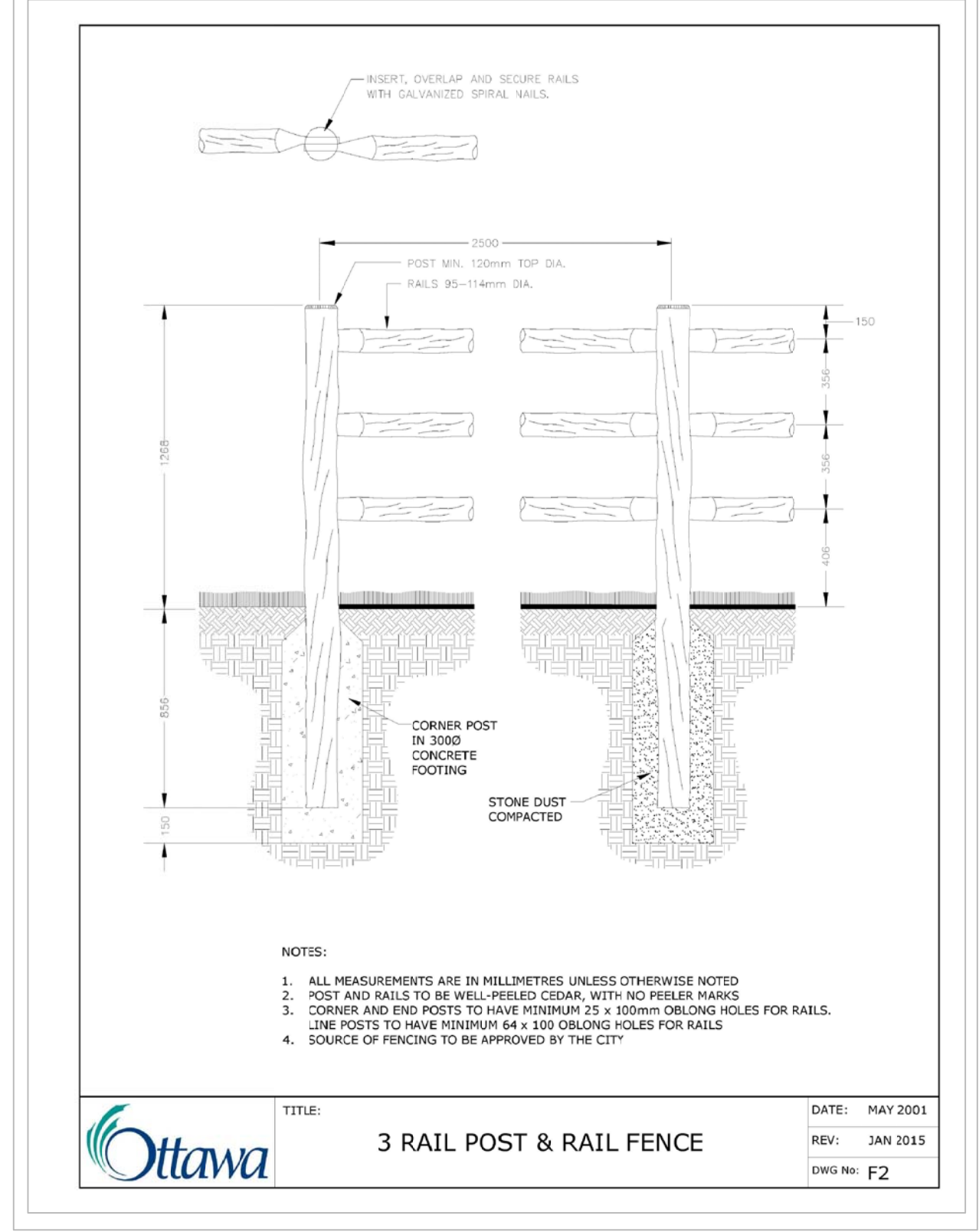
1 PLANTING DETAILS (TYPICAL) NTS



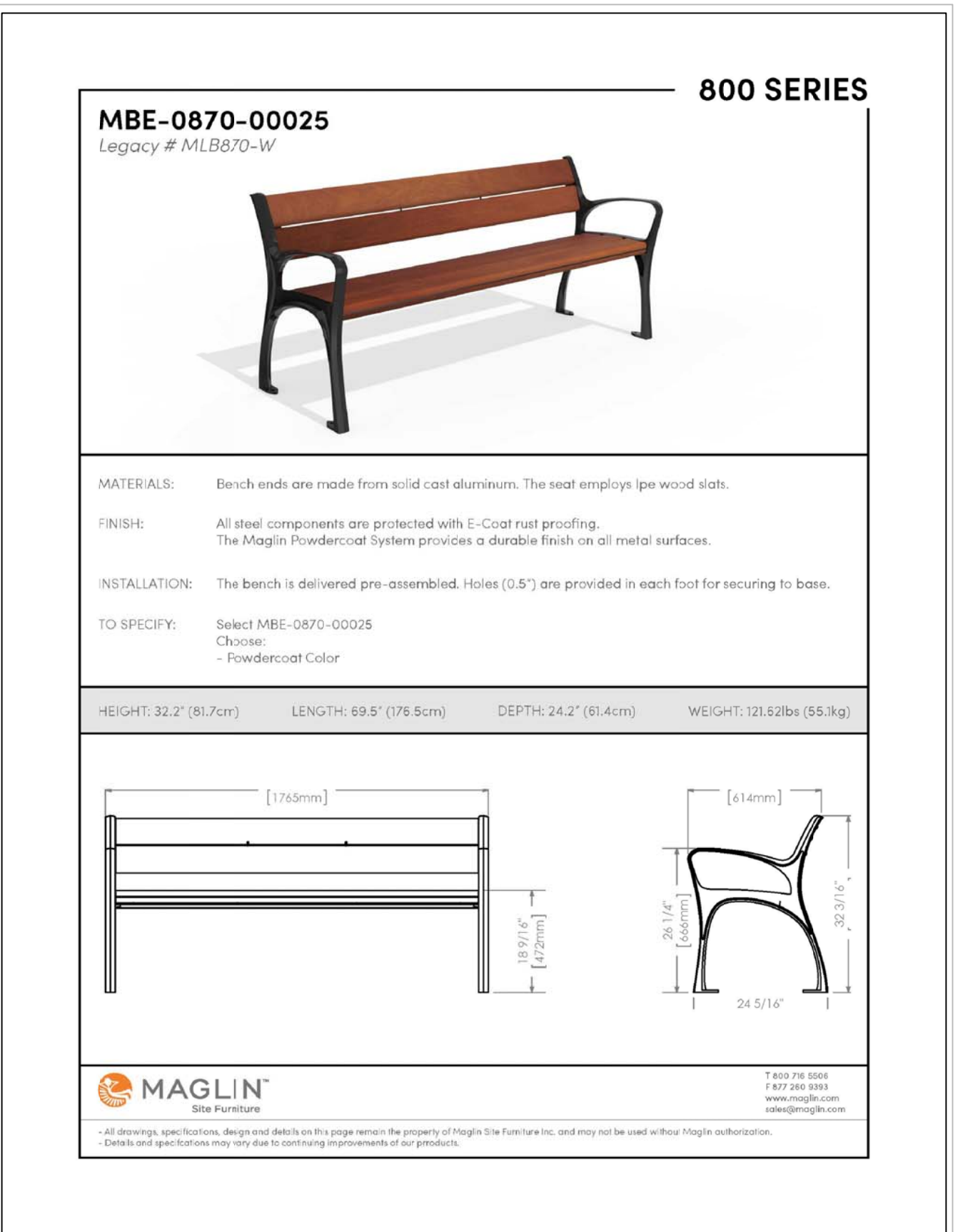
2 UNIT PAVING DETAILS NTS



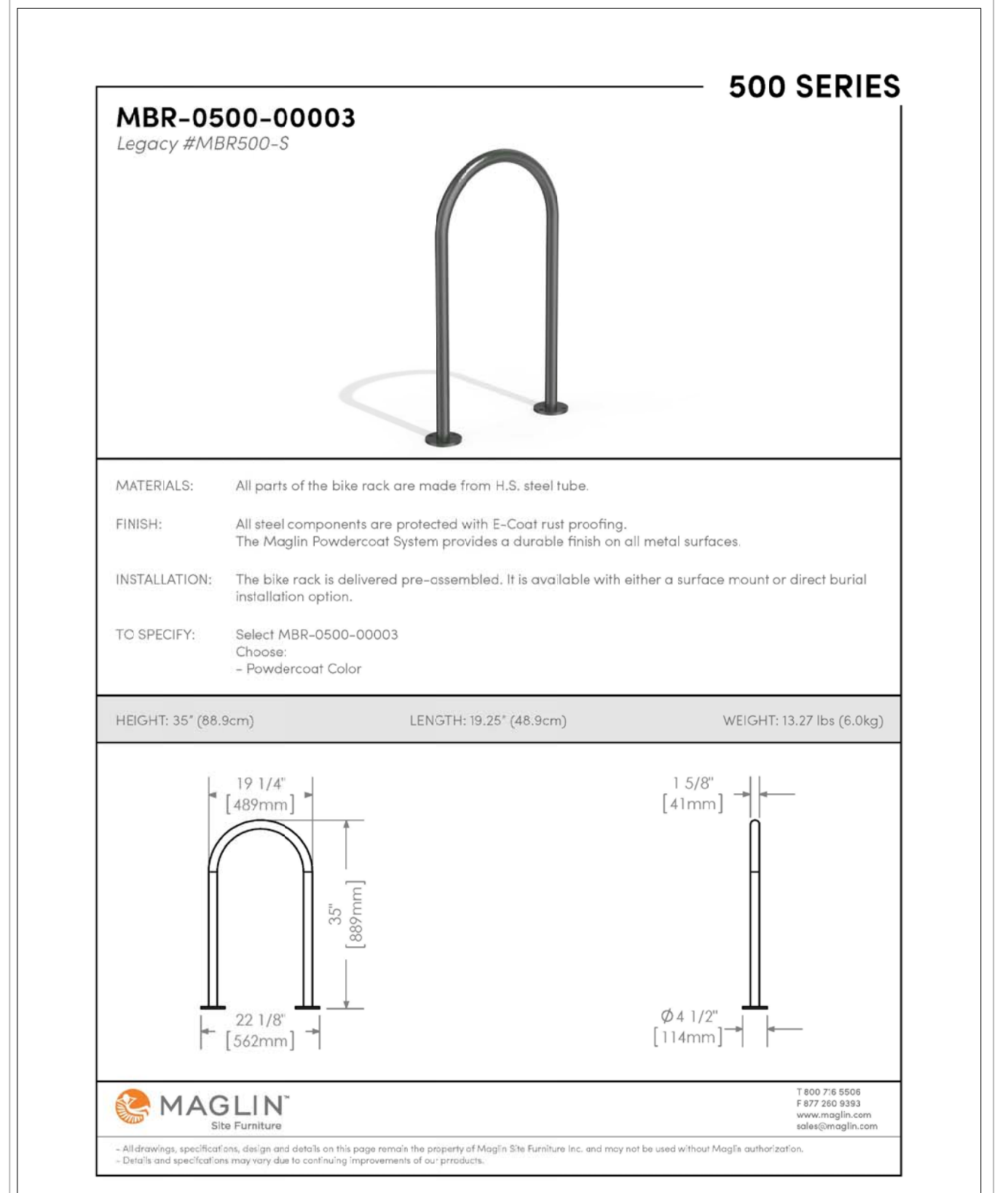
3 ASPHALT PATHWAY (LIGHT DUTY) - TYPE A 1:10



5 POST / 3-RAIL FENCE NTS



6 BENCH NTS



4 BICYCLE RACK NTS

FOR APPROVAL ONLY

4.	MAY 24/24	RE-ISSUE FOR SPA (3)
3.	AUG.31/23	RE-ISSUE FOR SPA
2.	FEB.10/23	ISSUE SPA
1.	FEB.3/23	ISSUE FOR REVIEW / COORDINATION

no. date revision

North Arrow

Stamp

Contractor shall check and verify all dimensions on site and report all errors and/or omissions to the Consultant.
Work to be done in accordance with all applicable codes and by-laws.
Do not scale Drawing.
This Drawing shall not be used for construction until signed by the Consultant.
Copyright reserved. This Drawing is the exclusive property of Levestek Consultants Inc. and shall not be used without consent.

Consultant

LEVSTEK CONSULTANTS INC.
L A N D S C A P E A R C H I T E C T S

5871 Hugh Crescent - Ottawa - Ontario - K8A 2W0
613 - 824 - 8318

Client

NORTH AMERICAN DEVELOPMENT GROUP

Project

ORLEANS GARDENS
1615 ORLEANS BOULEVARD
ORLEANS, ONTARIO

Drawing Title

DETAILS

Drawn	MGB	Project No.	1216
Scale	AS NOTED	Drawing No.	L2.01

D07-12-23-0026