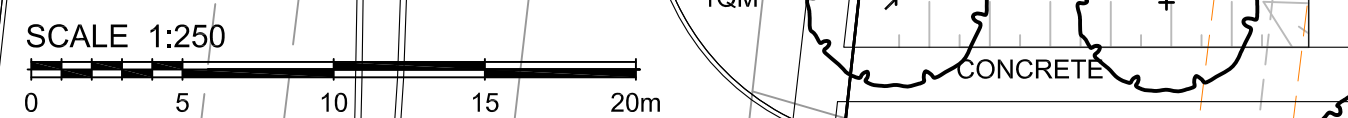


JEANNE D'ARC BOULEVARD

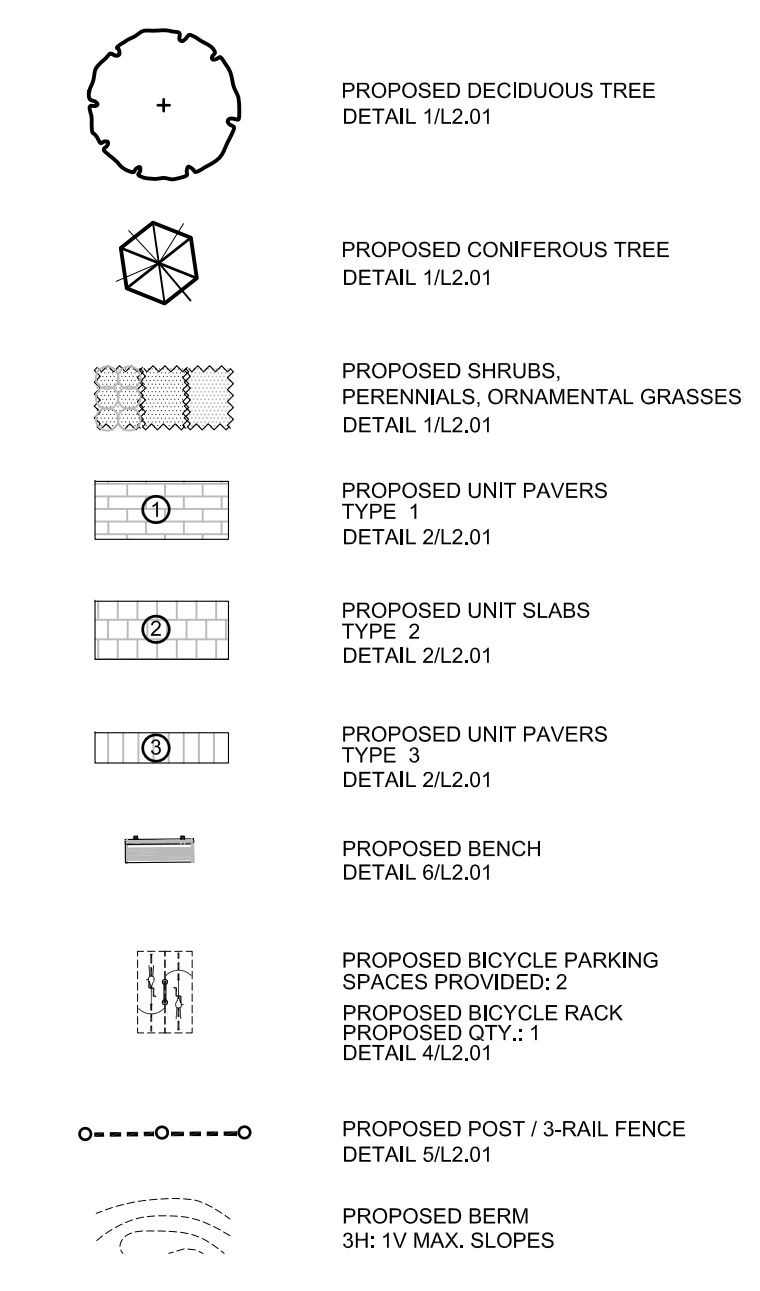
ORLEANS GARDENS
1615 ORLEANS BOULEVARD
ORLEANS, ONTARIO



PLANT MATERIAL SCHEDULE

CODE	BOTANICAL NAME	COMMON NAME	QTY.	SIZE	REMARKS
DECIDUOUS TREES					
AC	AMELANCHIER CANADENSIS	SHADBLOW SERVICEBERRY	3	50mm cal	B&B, Single Stem
AFJ	ACER x FREEMANI JEFFERSRED	AUTUMN BLAZE MAPLE	7	50mm cal	B&B, Single Stem
CC	CARPINUS CAROLINIANA	BLUE BEECH	3	50mm cal	B&B, Single Stem
CO	CEL TIS OCCIDENTALIS	COMMON HACKBERRY	5	50mm cal	B&B, Single Stem
GT	GLEDITSIA TRIACANTHOS	SKYLINE HONEYLOCUST	3	50mm cal	B&B, Single Stem
MK	MALUS KELSEY	KELSEY CRABAPPLE	1	50mm cal	B&B, Single Stem
MS	MALUS SPRING SNOW	SPRING SNOW CRABAPPLE	3	50mm cal	B&B, Single Stem
QM	QUERCUS MACROCARPA	BUR OAK	4	50mm cal	B&B, Single Stem
QR	QUERCUS RUBRA	RED OAK	6	50mm cal	B&B, Single Stem
SR	SYRINGA RETICULATA 'IVORY SILK'	IVORY SILK JAPANESE TREE LILAC	8	50mm cal	B&B, Single Stem
CONIFEROUS TREES					
PG	PICEA GLAUCA	WHITE SPRUCE	7	200 cm ht	B&B
PN	PINUS NIGRA	AUSTRIAN PINE	4	200 cm ht	B&B
PP	PICEA PUNGENS	COLORADO GREEN SPRUCE	4	200 cm ht	B&B
SHRUBS					
AC2	AMELANCHIER CANADENSIS	DOWNY SERVICEBERRY	4	150cm ht	B&B, multi-stem
AP	AESCLULUS PARVIFLORA	BOTTLEBRUSH BUCKEYE	16	50cm ht	potted, 100cm o/c
CAIT	CORNUS ALTERNIFOLIA	PAGODA DOGWOOD	6	150cm ht	B&B, multi-stem
HAA	HYDRANGEA ARBORESCENS ANNABELLE	ANNABELLE HYDRANGEA	26	50cm ht	potted, 100cm o/c
PFG	POTENTILLA FRUTICOSA GOLDFINGER	GOLDFINGER CINQUEFOIL	17	50cm ht	potted, 100cm o/c
PhV	PHILADELPHUS X VIRGINALIS	MOCKORANGE	39	50cm ht	potted, 100cm o/c
PM	PINUS MUGO MUGHUS	MUGHO PINE	12	50cm ht	potted, 100cm o/c
PO	PHYSOCARPUS OPULIFOLIUS	COMMON NINEBARK	12	50cm ht	potted, 100cm o/c
POG	PHYSOCARPUS OPULIFOLIUS DART'S GOLD	DART'S GOLD NINEBARK	26	50cm ht	potted, 100cm o/c
PON	PHYSOCARPUS OPULIFOLIUS NANUS	DWARF NINEBARK	19	50cm ht	potted, 100cm o/c
RAU	RIBES AUREUM	FLOWERING CURRANT	12	50cm ht	potted, 100cm o/c
RB	ROSA BLANDA	SHRUB ROSE	38	50cm ht	potted, 100cm o/c
SA	SYMPHORICARPUS ALBUS	SNOWBERRY	16	50cm ht	potted, 100cm o/c
SJAW	SPIRAEA JAPONICA ANTHONY WATERER	ANTHONY WATERER SPIREA	32	50cm ht	potted, 100cm o/c
SJF	SPIRAEA JAPONICA 'FROEBELI'	FROEBEL SPIREA	27	50cm ht	potted, 100cm o/c
SP	SYRINGA X PRESTONIAE 'MINUET'	MINUET LILAC	36	50cm ht	potted, 100cm o/c
ST	SPIRAEA TRILOBATA	DWARF VANHOUTTEI SPIREA	55	50cm ht	potted, 100cm o/c
VD	VIBURNUM DENTATUM	ARROWWOOD	15	50cm ht	potted, 100cm o/c
VL	VIBURNUM LENTAGO	NANNYBERRY	3	150cm ht	B&B, multi-stem
WF	WEIGELA FLORIDA 'POLKA'	POLKA WEIGELA	13	50cm ht	potted, 100cm o/c
PERENNIALS					
Ech	ECHINACEA purpurea	PURPLE CONEFLOWER	60	15 cm pot	plant 60cm o/c
Hel	HELIOPSIS helianthoides 'Tuscan Sun'	TUSCAN SUNFLOWER	73	15 cm pot	plant 60cm o/c
LI	LIATRIS spicata 'Floristan Purple'	FLORISTAN PURPLE BLAZING STAR	54	15 cm pot	plant 60cm o/c
Rud	RUDEBECKIA laciniata	CUTLEAF CONEFLOWER	114	15 cm pot	plant 60cm o/c
ORNAMENTAL GRASSES					
Ca	CALAMAGROSTIS x acutiflora 'Karl Foerster'	KARL FOERSTER REED GRASS	244	15cm pot	plant 75cm o/c
Pv	PANICUM virgatum	SWITCH GRASS	32	15cm pot	plant 75cm o/c
Sor	SORGHASTRUM nutans	INDIAN GRASS	49	15cm pot	plant 75cm o/c
Spo	SPOROBOLUS heterolepis	PRAIRIE DROPSEED	14	15cm pot	plant 75cm o/c

LEGEND / SYMBOL

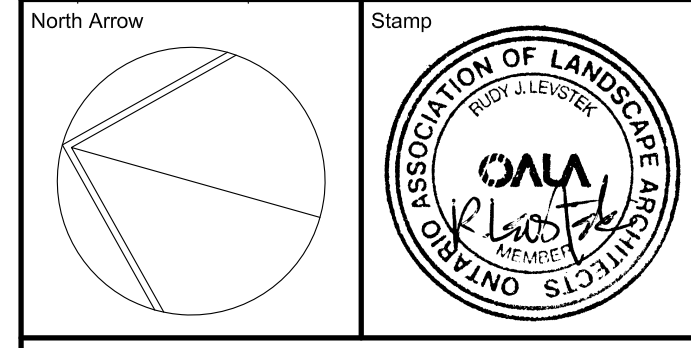


GENERAL NOTES

- This drawing shall be read in conjunction with all relevant Architectural, Engineering and related Drawings and Documents.
- Refer to Engineering Drawings for Grading and Servicing.
- Refer to Architectural Drawings for Site layout.
- Contractor shall provide the location(s) of all services/utilities by consulting Municipal Authorities and Utility companies and shall be responsible for adequate protection from damage during construction.
- Plant material shall be No.1 Grade and shall comply with the Metric Guide Specifications For Nursery Stock (latest edition), published by the Canadian Nursery Trades Association.
- Plant Material locations are Schematic / Approximate only. Contractor shall stake out locations on site prior to work.
- Contractor shall guarantee all plant material for a period of one (1) full year from the date of final acceptance.
- Shrubs shall be planted in a continuous prepared bed of 450mm depth planting soil mix covered over with a woven polypropylene weed control fabric (LANDSCAPE FABRIC-Green-Line by Thrace-LINQ) and 75mm depth composted pine mulch to finish grade, as specified.
- Perennials and Ornamental Grasses shall be planted in a continuous prepared bed of 450mm depth planting soil mix covered over with 75mm depth composted pine mulch to finish grade. (NO WEED CONTROL FABRIC), as specified.
- Sod areas to receive 125mm topsoil. Sod shall be No. 1 quality conforming to the Canadian Nursery Sod Growers Specification.
- Reinstate all areas damaged or disturbed beyond the limit of Work.
- Plant Material substitutions shall not be permitted without written approval from the Consultant.
- Contractor shall advise Consultant a minimum of 48hrs. prior to proceeding landscape work and any required Field Reviews.
- TREE PLANTING SETBACK RESTRICTIONS FOR BUILDING FOUNDATIONS CONFORM TO RECOMMENDATIONS AND STANDARDS SET OUT IN THE GEOTECHNICAL REPORT.
- THIS PLAN HAS BEEN PREPARED FOR MUNICIPAL SITE PLAN APPROVAL ONLY AND MAY NOT BE USED FOR ANY OTHER PURPOSE.**

FOR APPROVAL ONLY

no.	date	revision
3.	AUG.31/23	RE-ISSUE FOR SPA
2.	FEB.10/23	ISSUE SPA
1.	FEB.3/23	ISSUE FOR REVIEW / COORDINATION



Contractor shall check and verify all dimensions on site and report all errors and/or omissions to the Consultant.
Work to be done in accordance with all applicable codes and by-laws.
Do not scale Drawing.
This Drawing shall not be used for construction until signed by the Consultant.
Copyright reserved. This Drawing is the exclusive property of Levstek Consultants Inc. and shall not be used without consent.

Consultant
LEVSTEK CONSULTANTS
LANDSCAPE ARCHITECTS
5871 Hugh Crescent - Ottawa, Ontario - K8A 2W0
613-824-8318

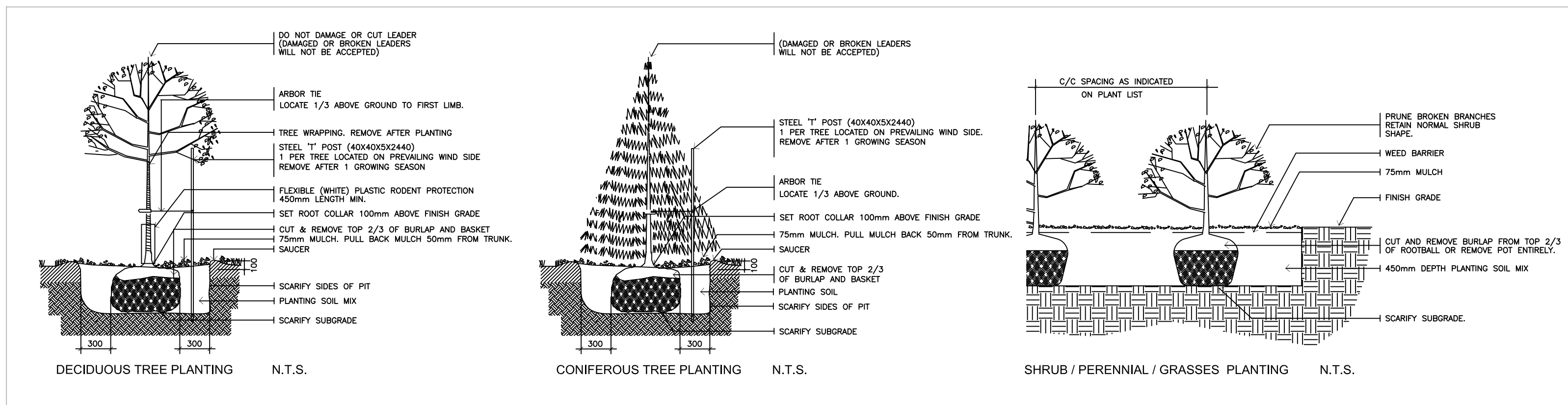
Client
NORTH AMERICAN DEVELOPMENT GROUP

Project
ORLEANS GARDENS
1615 ORLEANS BOULEVARD
ORLEANS, ONTARIO

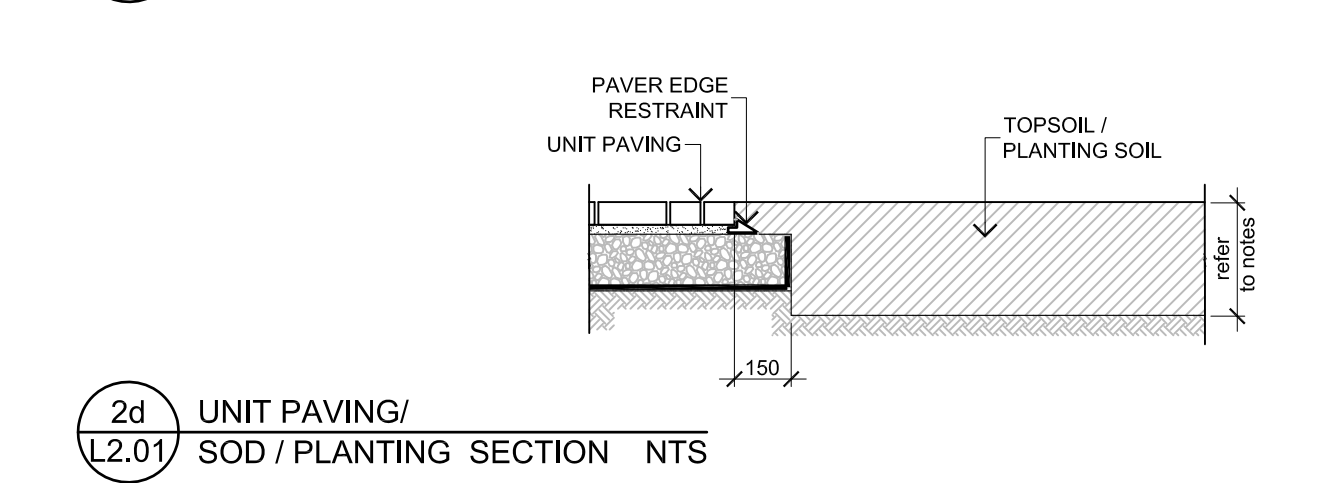
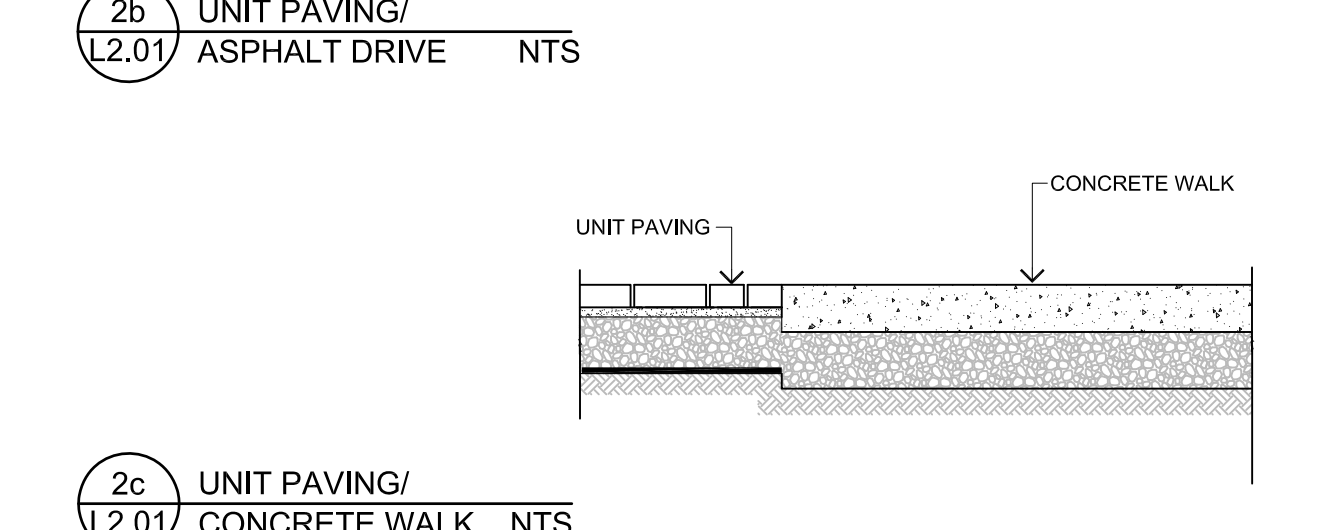
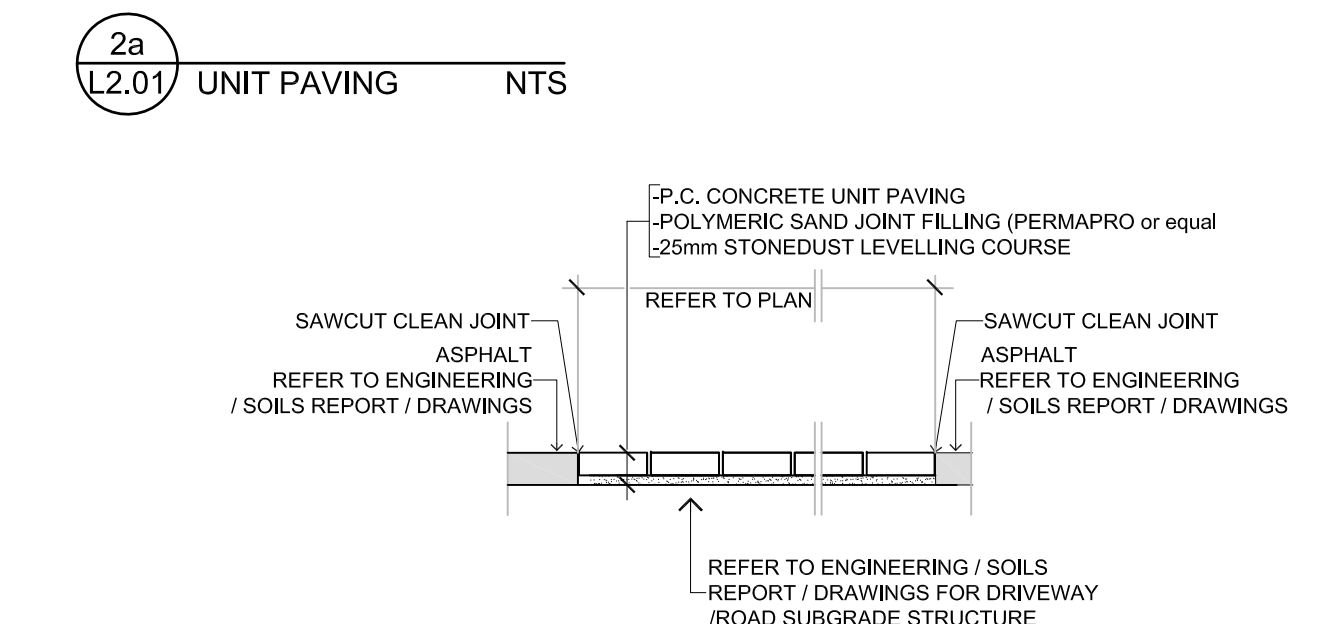
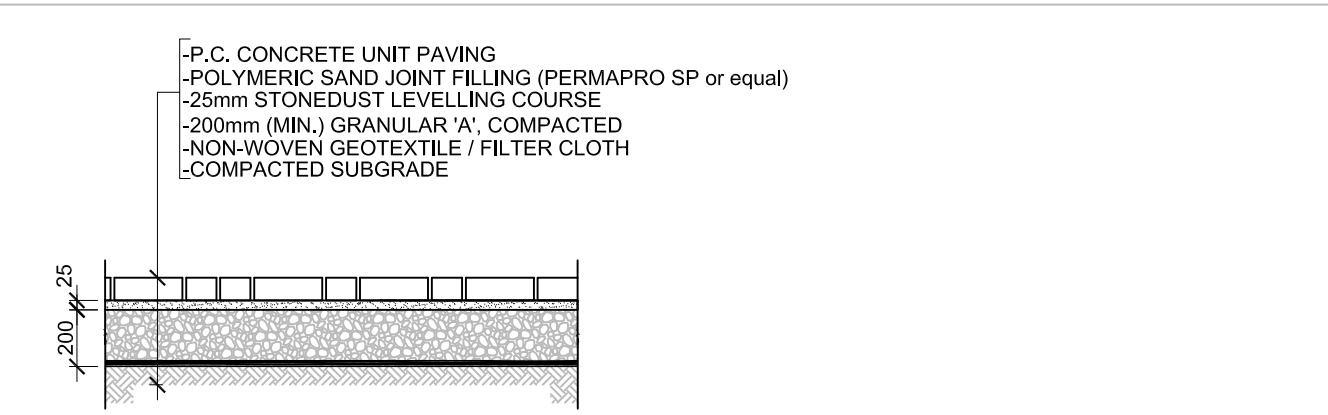
Drawing Title
LANDSCAPE PLAN

Drawn MGB	Project No. 1216	Drawing No. L1.01
---------------------	----------------------------	-----------------------------

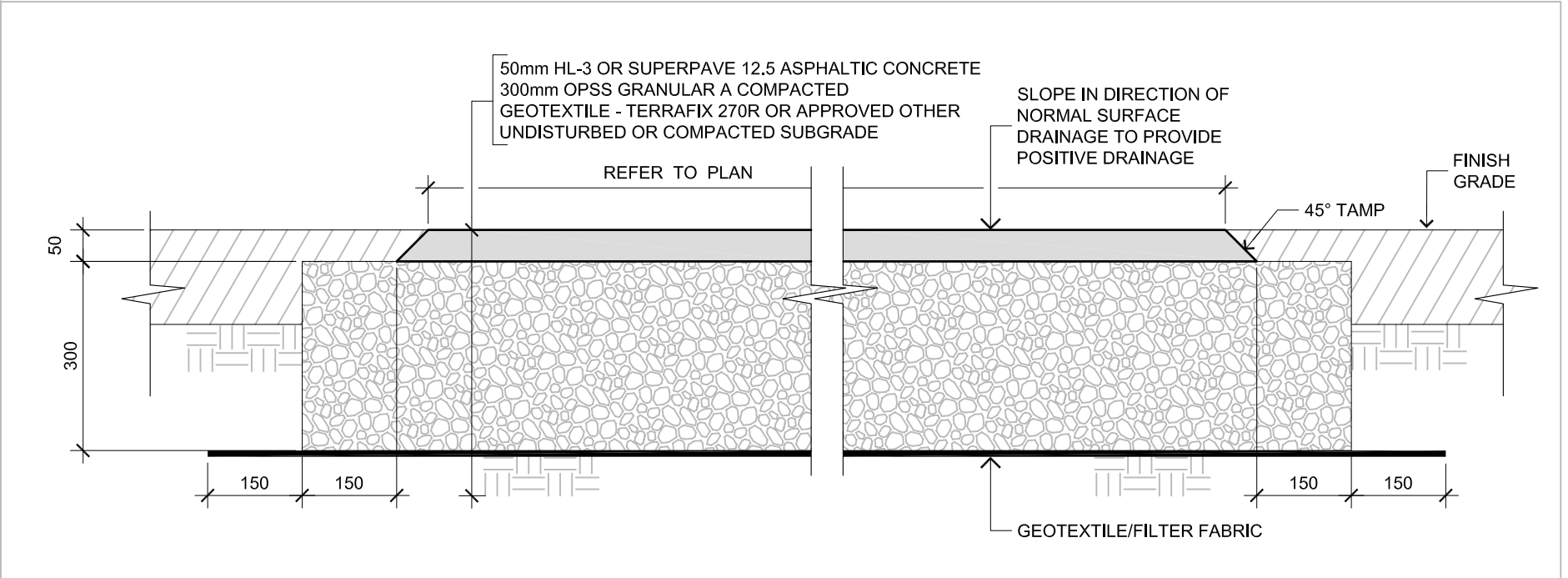
D07-12-23-0026



1 PLANTING DETAILS (TYPICAL) NTS



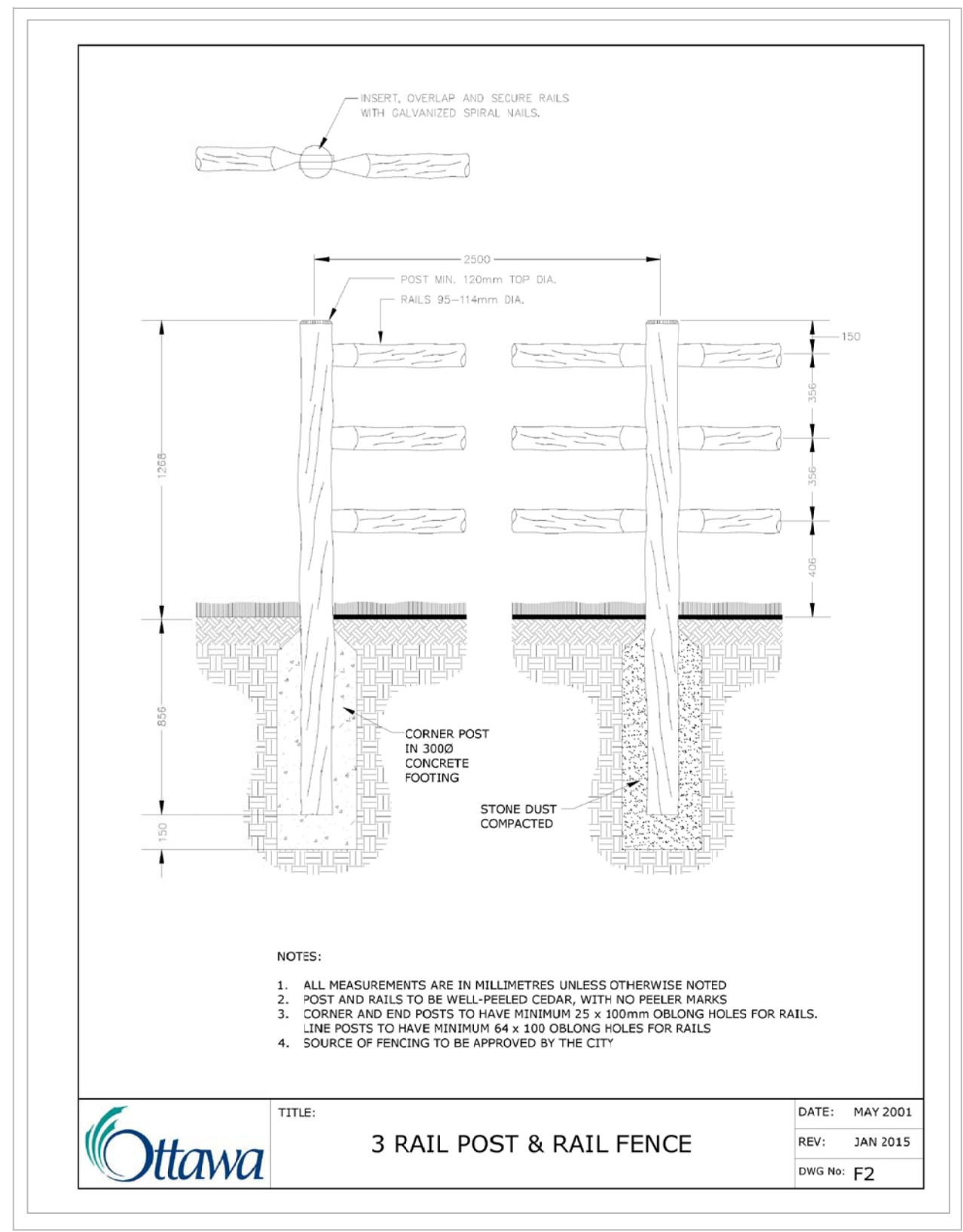
2 UNIT PAVING DETAILS NTS



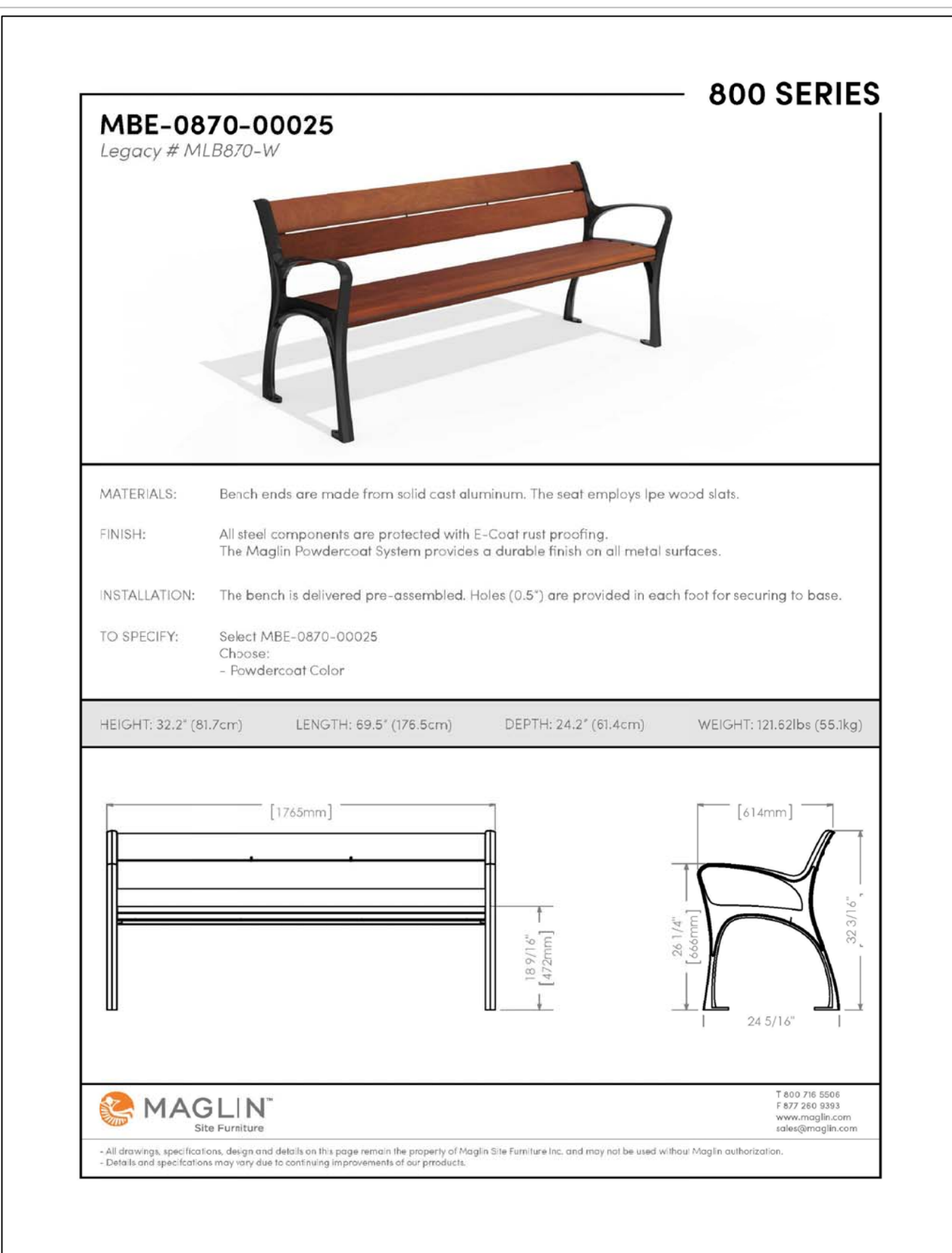
3 ASPHALT PATHWAY (LIGHT DUTY) - TYPE A 1:10



4 BICYCLE RACK NTS



5 POST / 3-RAIL FENCE NTS



6 BENCH NTS

INSTALLATION: SURFACE MOUNT
POWDERCOAT COLOR: TITANIUM (GLOSS)

FOR APPROVAL ONLY

3.	AUG.31/23	RE-ISSUE FOR SPA
2.	FEB.10/23	ISSUE SPA
1.	FEB.3/23	ISSUE FOR REVIEW / COORDINATION
no.	date	revision
North Arrow		
Stamp		

Contractor shall check and verify all dimensions on site and report all errors and/or omissions to the Consultant.

Work to be done in accordance with all applicable codes and by-laws.

Do not scale Drawing.

This Drawing shall not be used for construction until signed by the Consultant.

Copyright reserved. This Drawing is the exclusive property of Levstek Consultants Inc. and shall not be used without consent.

Consultant
LEVSTEK CONSULTANTS
L A N D S C A P E A R C H I T E C T S

Client
NORTH AMERICAN DEVELOPMENT GROUP

Project
ORLEANS GARDENS
1615 ORLEANS BOULEVARD
ORLEANS, ONTARIO

Drawing Title
DETAILS

Drawn
MGB

Scale
AS NOTED

Project No.
1216

Drawing No.
L2.01

D07-12-23-0026