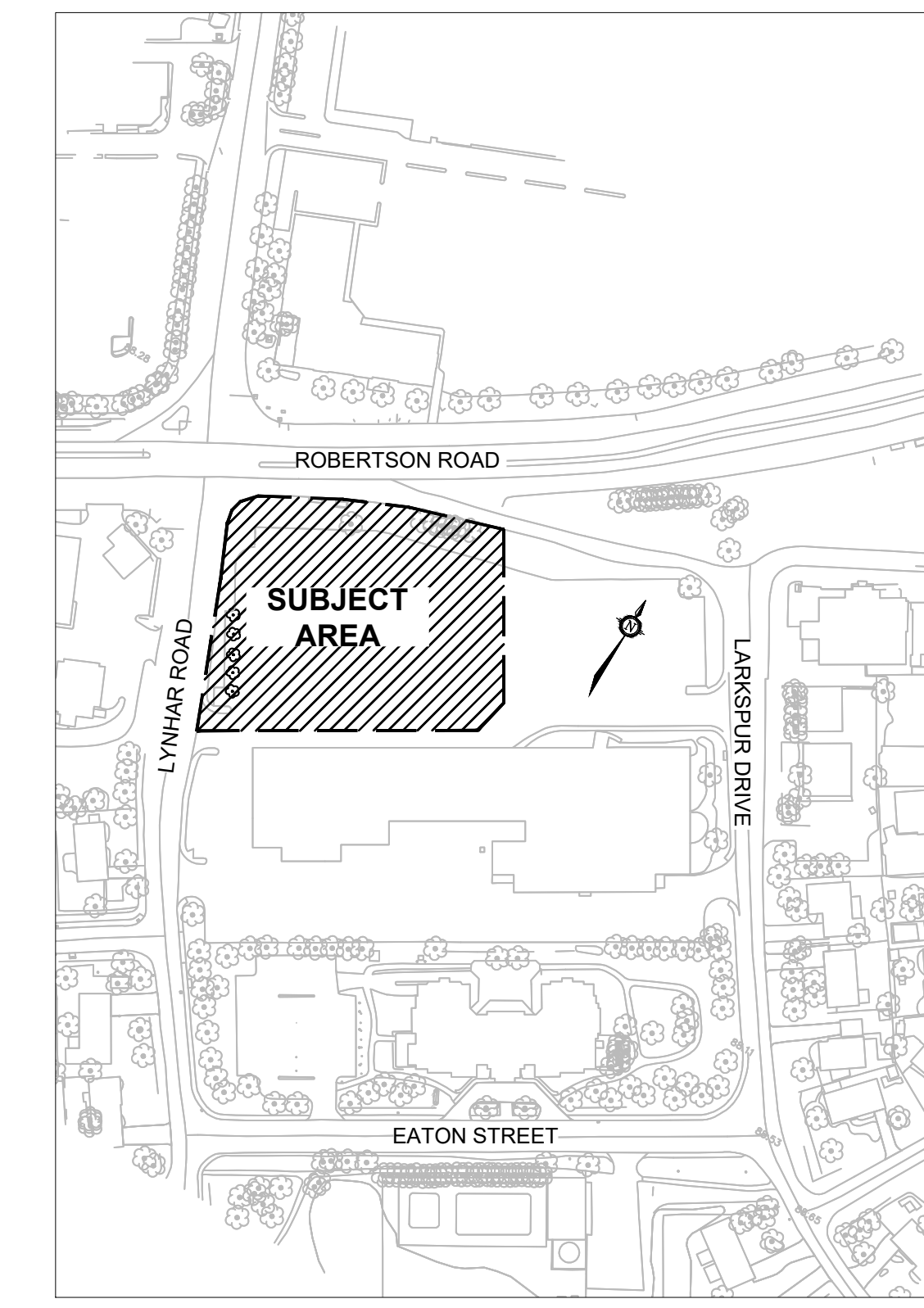


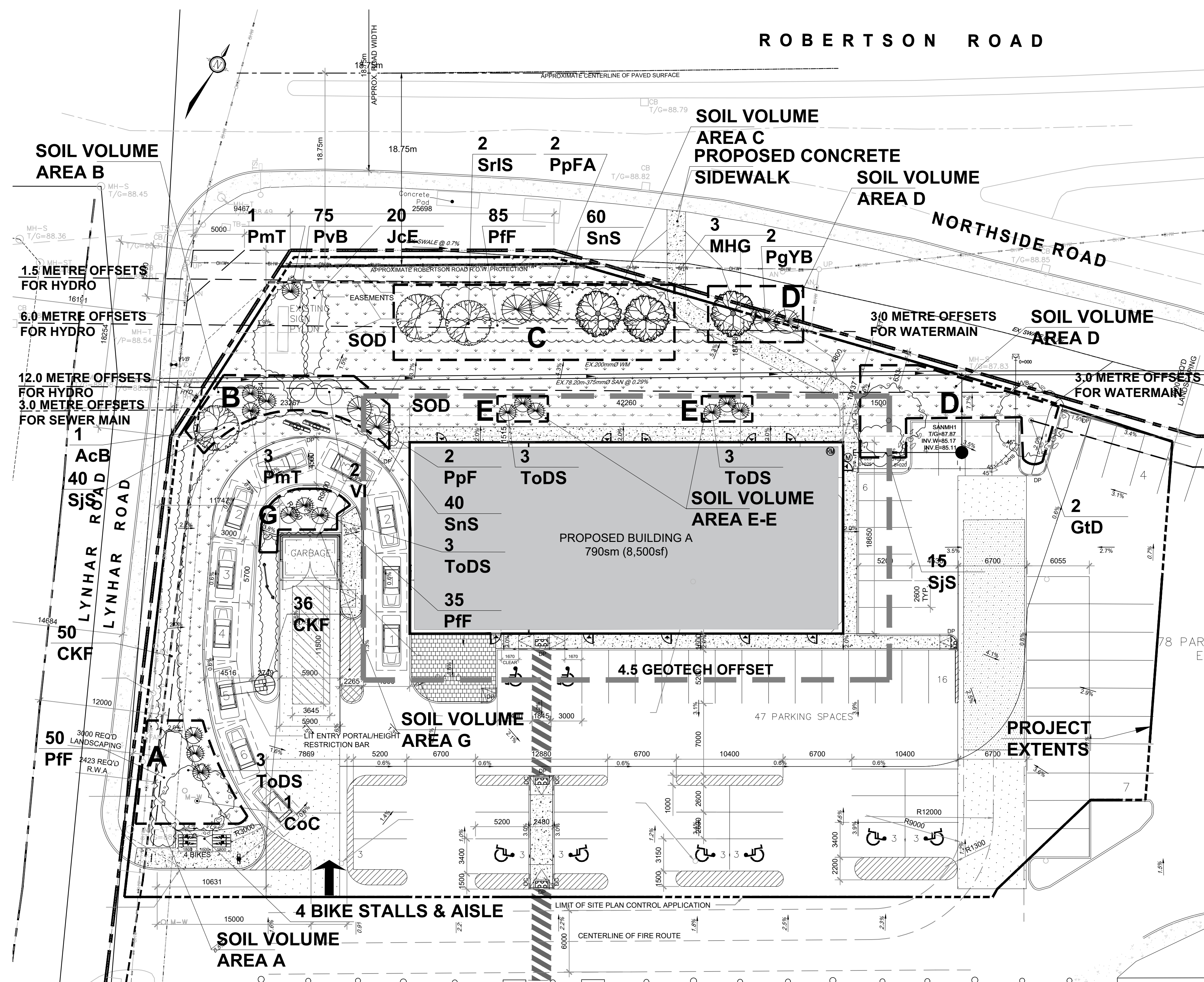
GENERAL NOTES

- All general site information and conditions compiled from existing plans, surveys and consultant's field notes. Report all discrepancies prior to any work. No responsibility is born by the Consultant for unknown subsurface conditions.
- The location of the utilities is approximate only, and the exact location should be determined by consulting the municipal authorities and utility companies concerned. The Contractor shall prove the location of utilities and shall be responsible for adequate protection from damage.
- All dimensions shown are to be verified on site prior to any construction. No deviations are to be made from the layouts as shown on this plan without prior consultation with the Landscape Architect and Owner.
- No other trees to be removed without prior approval by Landscape Architect.



KEY PLAN

THIS PLAN IS ISSUED FOR SITE PLAN CONTROL ONLY. ADDITIONAL DETAILING AND SPECIFICATIONS ARE REQUIRED PRIOR TO TENDERING AND CONSTRUCTION.



PLANT LIST - TREES

Key	Qty	Botanical Name	Common Name	Hydro Offset	Mature Size	Size Planted	Remarks
<b>Coniferous Trees</b>							
<b>Small Conifers - Small Ornamental category</b>							
PgYB	2	<i>Picea glauca</i> 'Yukon Blue'	Yukon Blue White Spruce	1.5 - 6m hydro offset	Height (m) 3.5	Spread (m) 2.5	1200mm ht. Potted
ToDS	12	<i>Thuja occidentalis</i> 'Degroot's Spire'	Degroot's Spire White Cedar	1.5 - 6m hydro offset	3	0.5	1200mm ht. Potted
<b>Deciduous Trees</b>							
<b>Ornamental Trees and Conifers (4m to 6m ht. and canopy dia.)</b>							
AcB	1	<i>Amelanchier canadensis</i> 'Ballerina'	Ballerina Serviceberry		5	4	50mm cal. WB Staked
MHG	3	<i>Malus x 'Harvest Gold'</i>	Harvest Gold Crabapple	6 - 12m hydro offset	6-7	6	50mm cal. WB Staked
PpFA	2	<i>Picea pungens</i> 'Fat Albert'	Fat Albert Spruce	1.5 - 6m hydro offset	6	5	1750mm ht. WB Staked
PpF	2	<i>Picea pungens</i> 'Fastigiata'	Pyramidal Spruce		6	2.5	1750mm ht. WB Staked
SrS	2	<i>Syringa reticulata</i> 'Ivory Silk'	Ivory Silk Tree Lilac	6 - 12m hydro offset	7	5	50mm cal. WB Staked
<b>Small Trees (9m to 13m ht., 8.5 - 20m canopy dia.)</b>							
GtD	2	<i>Gleditsia triacanthos</i> 'Draves'	Streetkeeper Honeylocust		13	6	70mm cal. WB Staked
<b>Large Trees (14m to 40m ht., canopy &gt;13m)</b>							
CoC	1	<i>Celtis occidentalis</i> 'Chicagoland'	Chicagoland Hackberry		16	13	70mm cal. WB Staked

PLANT LIST

ID	Qty	Botanical Name	Common Name	Scheduled Size	Remarks
<b>Shrubs</b>					
JcE	20	<i>Effusa Juniper</i>	<i>Juniperus communis</i> 'Effusa'	50cm spd.	Potted
PfF	170	<i>Potentilla fruticosa</i> 'Farreri'	Gold Drop Potentilla	50cm ht.	Potted, 0.85m o.c.
PmT	4	<i>Pinus Mugho</i> 'Tammenbaum'	Tammenbaum Mugho Pine	1000mm ht.	WB Staked
SjS	55	<i>Spiraea japonica</i> 'Shirobana'	Shirobana Spirea	50cm ht.	Potted, 1.0m o.c.
SnS	100	<i>Spiraea nipponica</i> 'Snowmound'	Snowmound Spirea	50cm ht.	Potted, 1.0m o.c.
VI	2	<i>Viburnum lentago</i>	Nannyberry	50cm ht.	Potted, 1.0m o.c.
<b>Perennials / Ornamental Grasses</b>					
PvB	75	Low Sun Flowering Perennials		150mm Pot	50cm o.c.
CKF	86	<i>Calamagrostis acutifolia</i> 'Karl Foerster'	Karl Foerster Feather Reed Grass	1 gallon Pot	80cm o.c.

Note: Perennial types: (invasives such as miscanthus or purple loosestrife are not to be planted)

Soil Volume Area, Tree Quantity and Size	Tree Quantity	OTTAWA Target Soil Volume (m <sup>3</sup> )	Design Soil Volume	Soil Adequacy percentage
<b>AREA A - 1 large tree, 3 small ornamental conifers</b> plant bed (80 sq m x 0.4 ave metre deep)	4	33.2	32.0	96.53%
<b>AREA B - 1 ornamental trees (typical), 2 small ornamental conifers</b> plant bed (80 sq m x 0.4 ave metre deep)	3	11.1	32.0	288.29%
<b>AREA C - 6 ornamental trees</b> plant bed (200 sq m x 0.4 ave metre deep)	6	54.0	80.0	148.15%
<b>AREA D - 1 ornamental tree, 2 small ornamental conifers</b> plant bed (50 sq m x 0.4 ave metre deep)	3	17.1	20.0	116.96%
<b>AREA E - 2 small ornamental conifers</b> plant bed (10 sq m x 0.4 ave metre deep)	2	2.1	4.0	190.48%
<b>AREA F - 2 medium trees (typical)</b> plant bed (80 sq m x 0.4 ave metre deep)	2	18.0	32.0	177.78%
<b>AREA G - 3 small ornamental conifers</b> plant bed (30 sq m x 0.8 ave metre deep)	3	27.0	24.0	88.89%

Small conifers considered Ornamental trees. \* Small ornamental trees with growth to 8-15cm DBH, large shrubs, and columnar conifers calculated using 'How much soil to grow a big tree' by DeepRoot as a guide

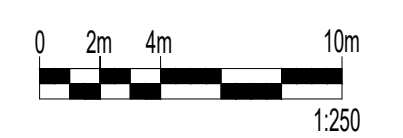
**TREE SOIL VOLUME REQUIREMENTS:**  
STANDARD TREE SOIL VOLUMES QUANTITIES INCLUDE THE TOP 900-1000mm OF SOIL/EXISTING SUBSOIL LAYER TO CALCULATE TOTAL SOIL VOLUMES REQUIRED BY CITY OF OTTAWA FOR SUSTAINABLE TREE GROWTH. WHERE LARGER SOFT AREAS ARE AVAILABLE, THE TOP 400-500mm LAYER IS USED TO CALCULATE SOIL VOLUMES (AS PER CITY DETAL L1).

WHERE EXISTING MATERIAL BELOW THE SPECIFIED TOPSOIL IS NOT CONDUCIVE TO TREE GROWTH, AN ADDITIONAL LAYER OF PLANTING MEDIUM IS TO BE INSTALLED BELOW SPECIFIED TOPSOIL DEPTH TO OBTAIN THE SOIL VOLUME DEPTH REQUIRED.

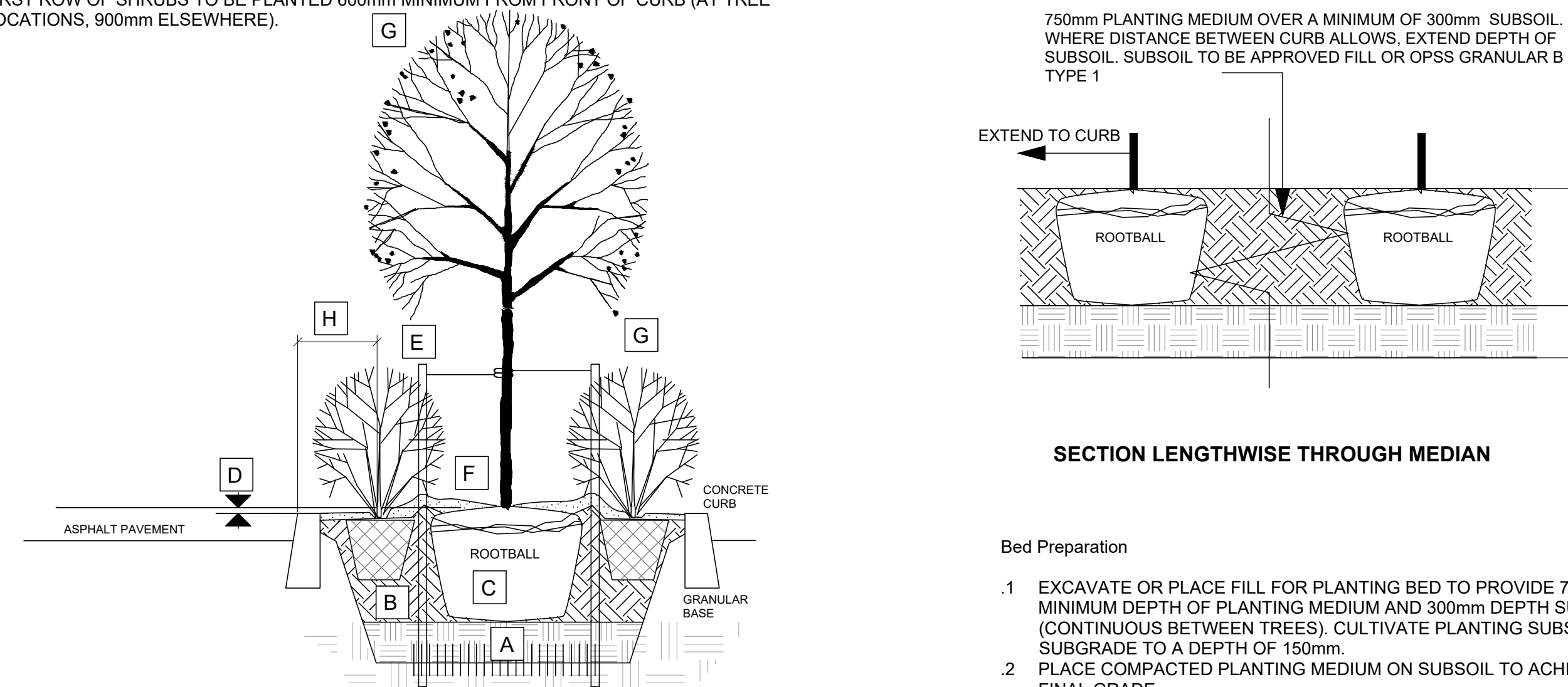
REFER TO SOIL VOLUME CHART AND PLANS FOR AREA WHERE TREE SOIL VOLUMES ARE REQUIRED.

EXISTING BUILDING  
1st Floor: 4339 sq.m. (46,704 sq.ft.)  
2nd Floor: 492 sq.m. (5,296 sq.ft.)

LANDSCAPE PLAN  
SCALE: 1:250



- A SUBSOIL / SUBGRADE CULTIVATED LAYER
- B PLANTING MEDIUM
- C ROOTBALL / POT
- D TOP OF ROOT CROWN TO BE FLUSH WITH PLANTING SOIL
- E 2-METAL POSTS (40x 40x 2100 mm) PLACE AT OUTSIDE OF ROOTBALL AND FASTEN TO TRUNK WITH 3 mm GALVANIZED WIRE AND 25 mm 2 PLY REINFORCED HOSE (PARALLEL TO CURB).
- F 50-75 mm MULCH LAYER, KEEP MULCH AWAY FROM STEMS AND PROVIDE 100mm DEEP SAUCER.
- G PRUNE DAMAGE, DISEASED OR WEAK BRANCHES AS PER ACCEPTED HORTICULTURAL PRACTICE. DO NOT DAMAGE OR REMOVE LEADER
- H FIRST ROW OF SHRUBS TO BE PLANTED 600mm MINIMUM FROM FRONT OF CURB (AT TREE LOCATIONS, 900mm ELSEWHERE).

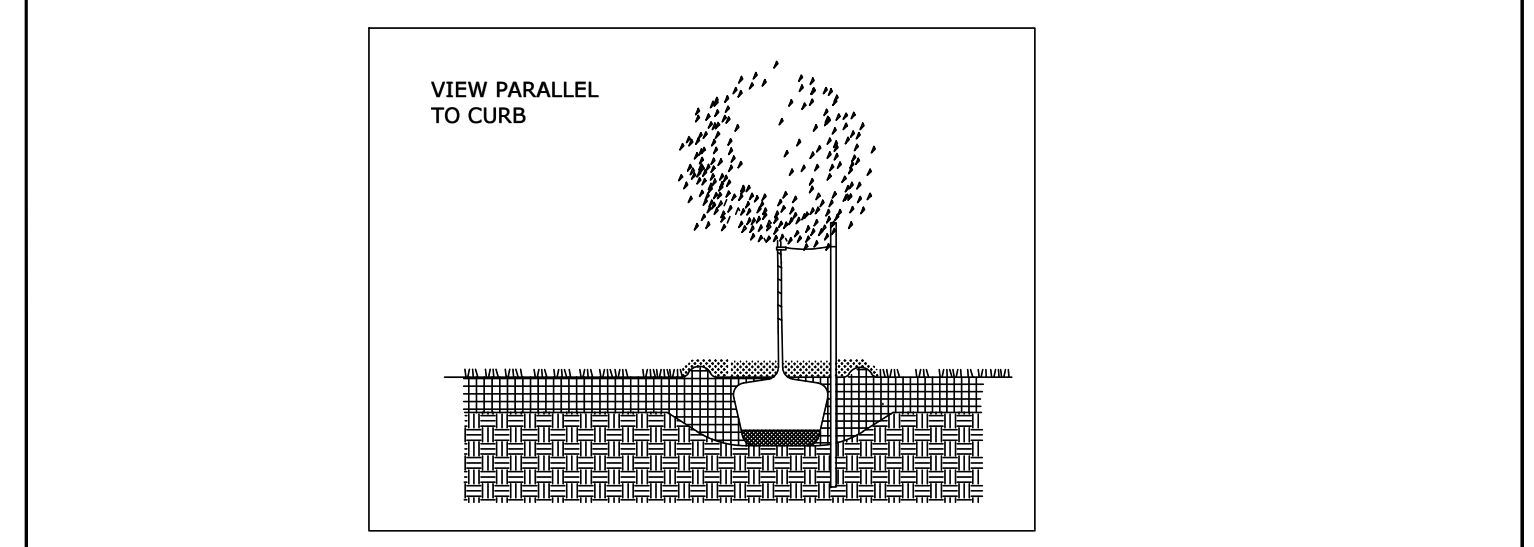
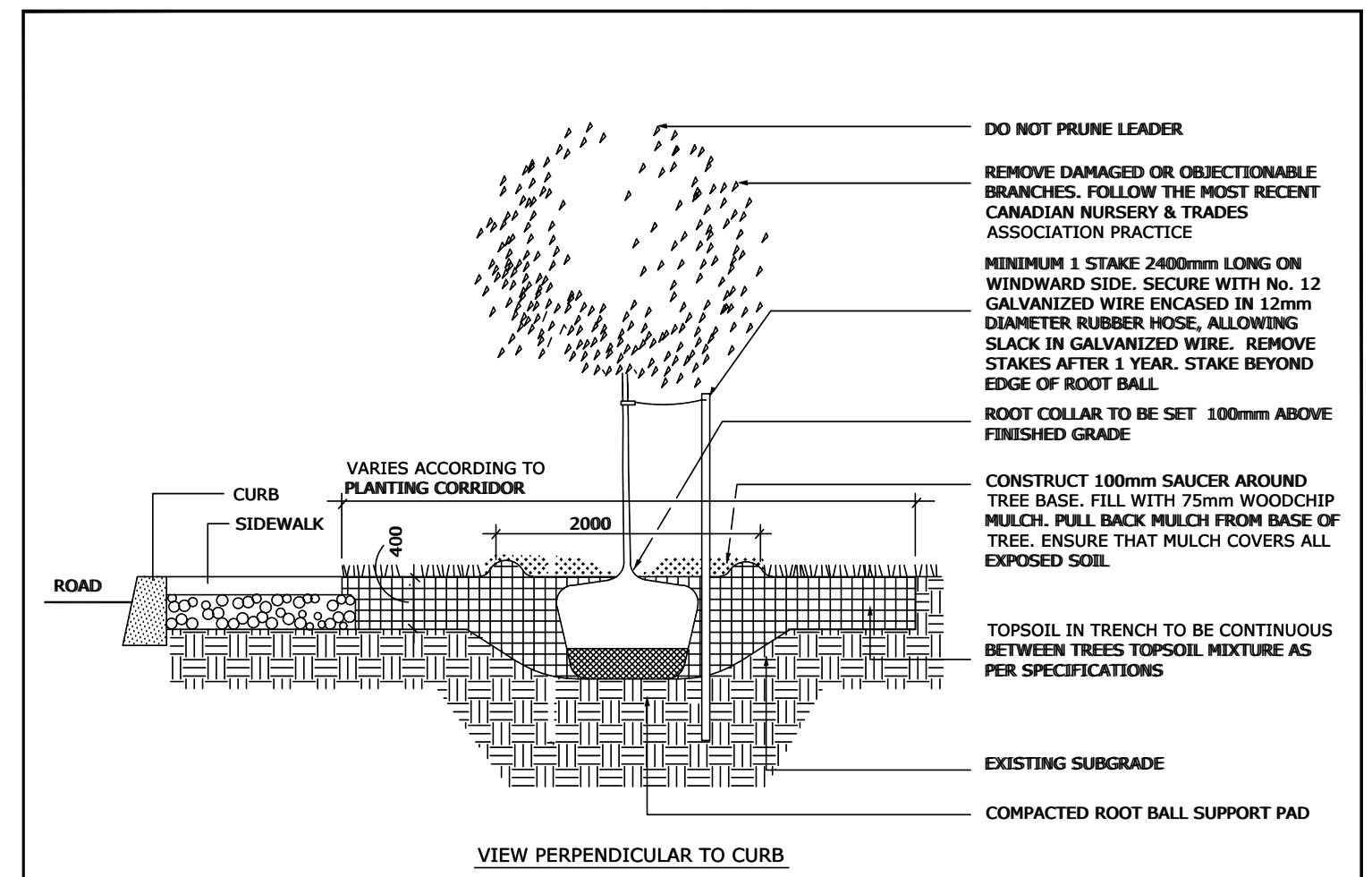


PLANTING IN MEDIAN

- Bed Preparation
- EXCAVATE OR PLACE FILL FOR PLANTING BED TO PROVIDE 750mm MINIMUM DEPTH OF PLANTING MEDIUM AND 300mm DEPTH SUBSOIL (CONTINUOUS BETWEEN TREES). CULTIVATE PLANTING SUBSOIL INTO SUBGRADE TO A DEPTH OF 150mm.
  - PLACE COMPACTED PLANTING MEDIUM ON SUBSOIL TO ACHIEVE FINAL GRADE.
  - CENTRE OF BED TO BE CROWNED ABOVE ADJACENT GRADE TO APPROVAL OF CONSULTANT.

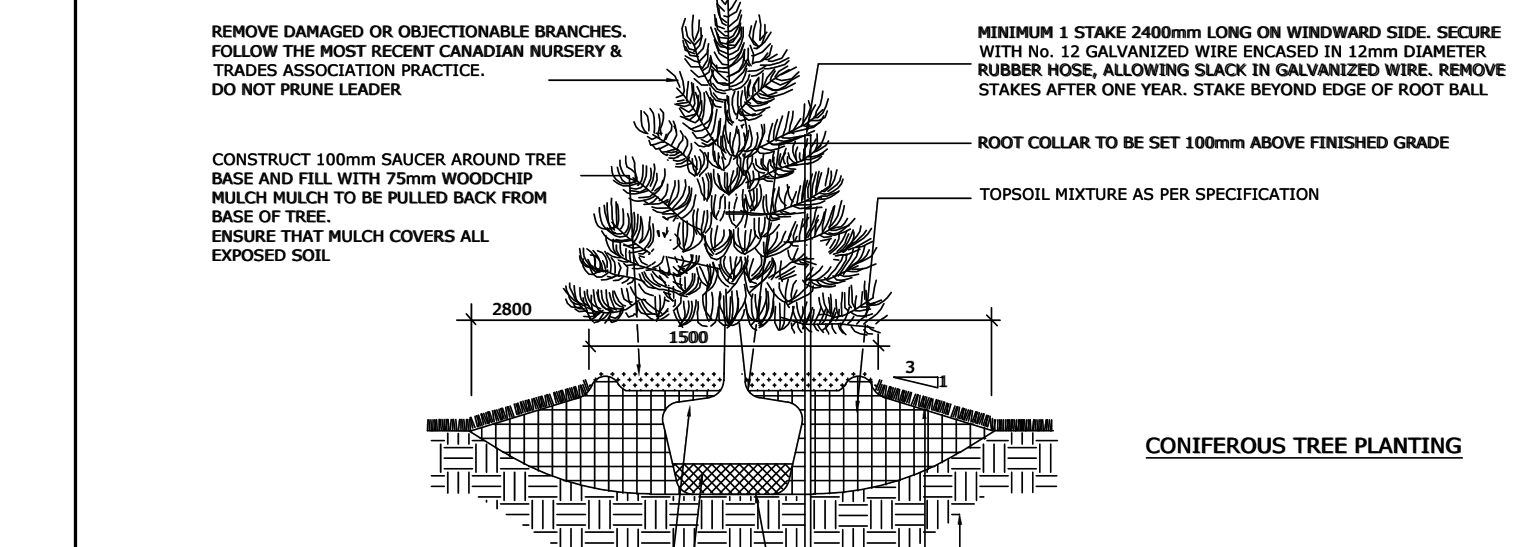
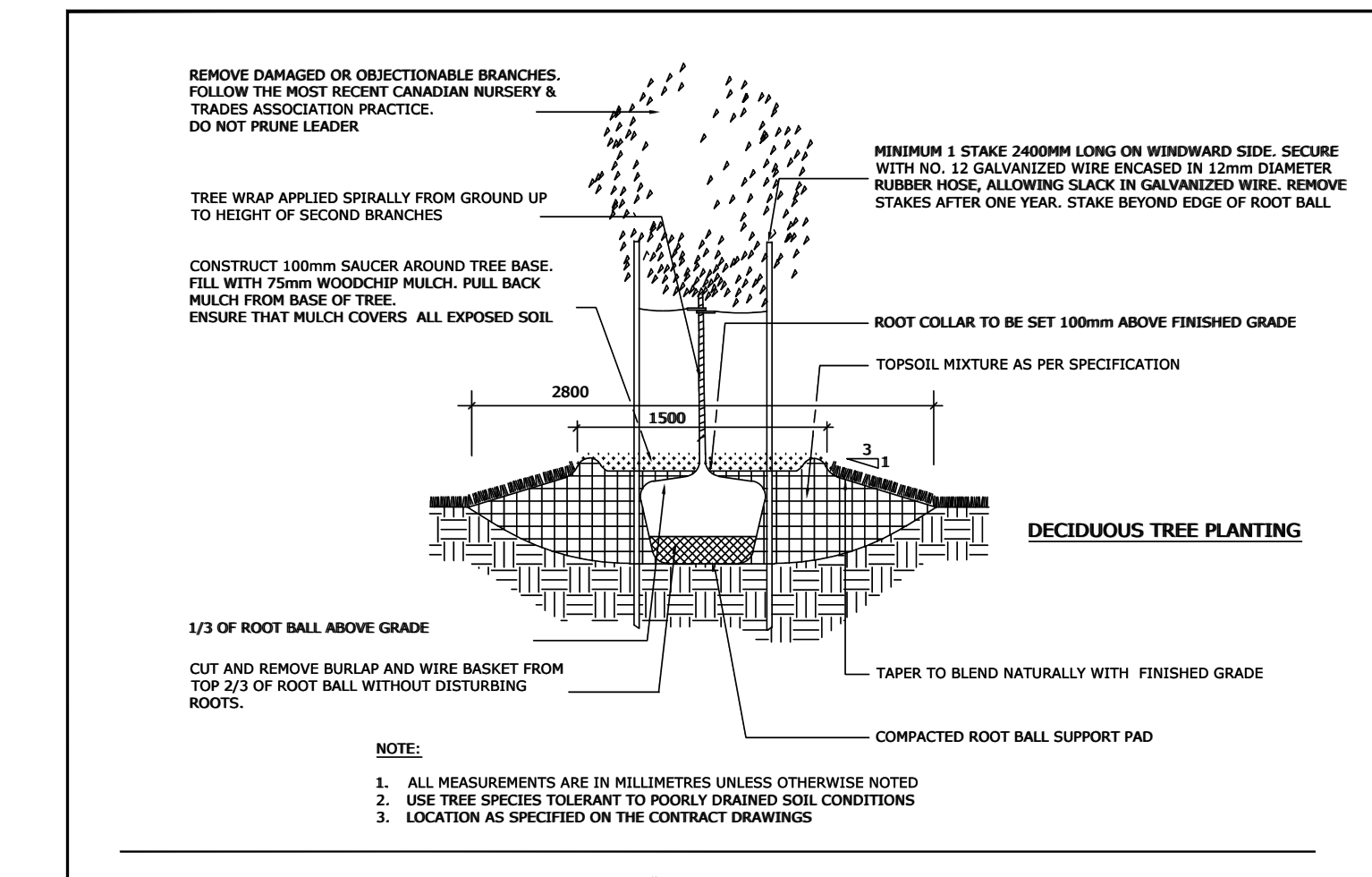


**NOTES:**  
 TREES ARE TO BE INSTALLED AS PER CITY STANDARD DETAILS, SOIL VOLUME AS PER BELOW NOTES AND MATRIX ON SHEET L-01.  
 - STANDARD TREE SOIL VOLUMES QUANTITIES INCLUDE THE TOP 900-1000mm OF SOIL/EXISTING SUBSOIL LAYER TO CALCULATE TOTAL SOIL VOLUMES REQUIRED BY THE CITY OF OTTAWA FOR SUSTAINABLE TREE GROWTH. WHERE LARGER SOFT AREAS ARE AVAILABLE, THE TOP 400-500mm LAYER IS USED TO CALCULATE SOIL VOLUMES.  
 - WHERE EXISTING MATERIAL BELOW THE SPECIFIED TOPSOIL IS NOT CONDUCIVE TO TREE GROWTH, AN ADDITIONAL LAYER OF PLANTING MEDIUM IS TO BE INSTALLED BELOW SPECIFIED TOPSOIL DEPTH TO OBTAIN THE SOIL VOLUME DEPTH REQUIRED.  
 - REFER TO SOIL VOLUME MATRIX AND PLANS FOR AREA WHERE TREE SOIL VOLUMES ARE REQUIRED.



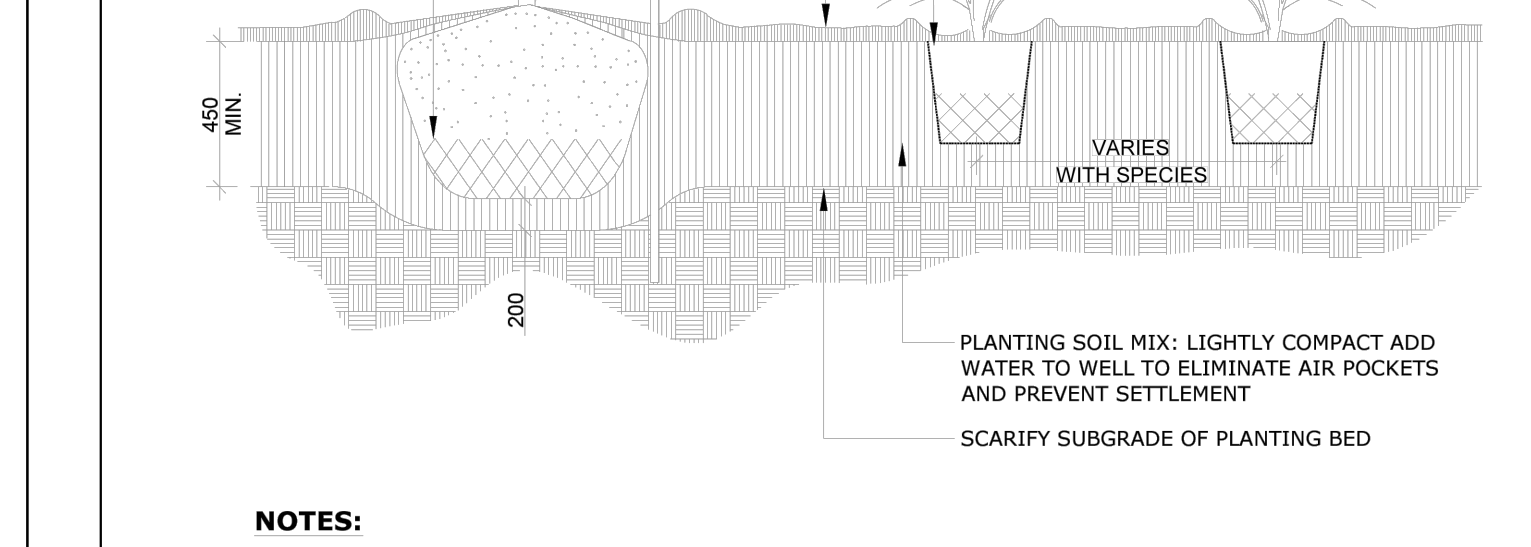
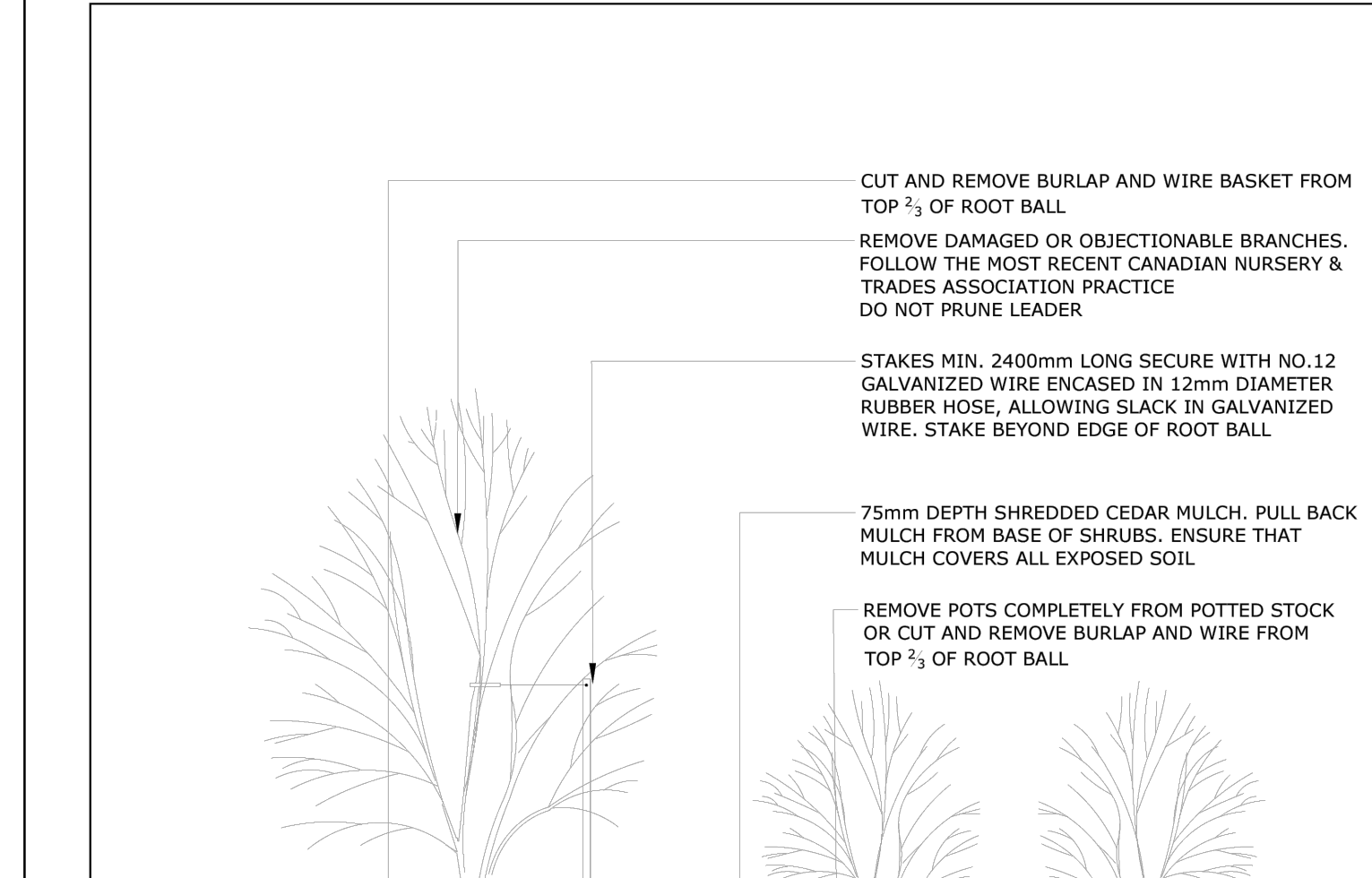
**NOTES:**  
 1. ALL MEASUREMENTS ARE IN MILLIMETRES UNLESS OTHERWISE NOTED  
 2. CUT AND REMOVE BURLAP AND WIRE BASKET FROM TOP 2/3 OF ROOT BALL WITHOUT DISTURBING ROOTS  
 3. LOCATION AS SPECIFIED ON THE CONTRACT DRAWINGS

**Ottawa** TITLE: **PLANTING TRENCH WELL DRAINED SOILS** DATE: MAY 2001  
 REV: JAN 2017  
 DWG No: **L1**



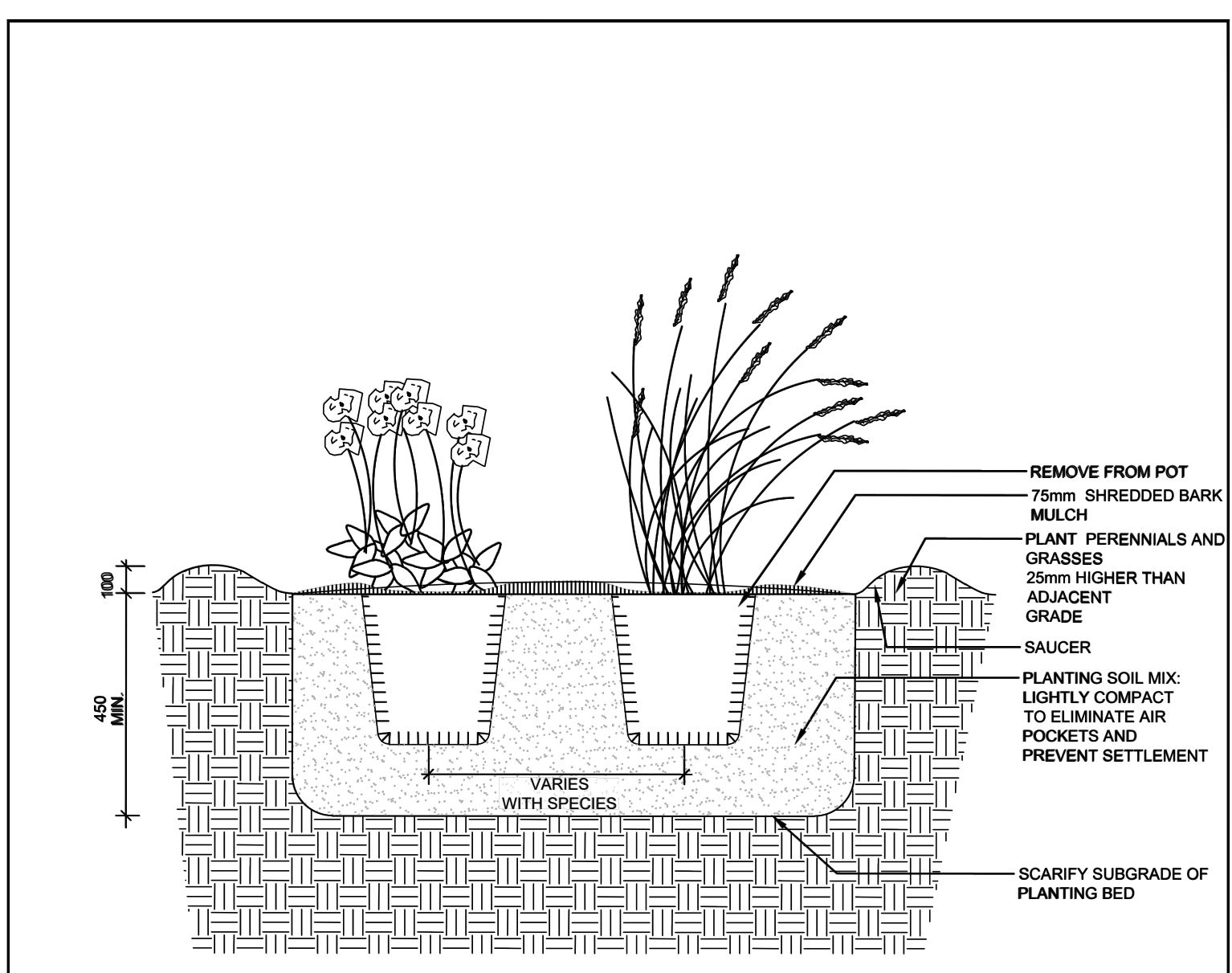
**NOTES:**  
 1. ALL MEASUREMENTS ARE IN MILLIMETRES UNLESS OTHERWISE NOTED  
 2. USE TREE SPECIES TOLERANT TO POORLY DRAINED SOIL CONDITIONS  
 3. LOCATION AS SPECIFIED ON THE CONTRACT DRAWINGS

**Ottawa** TITLE: **PLANTING PIT POORLY DRAINED SOILS** DATE: MAY 2001  
 REV: FEB 2017  
 DWG No: **L6**



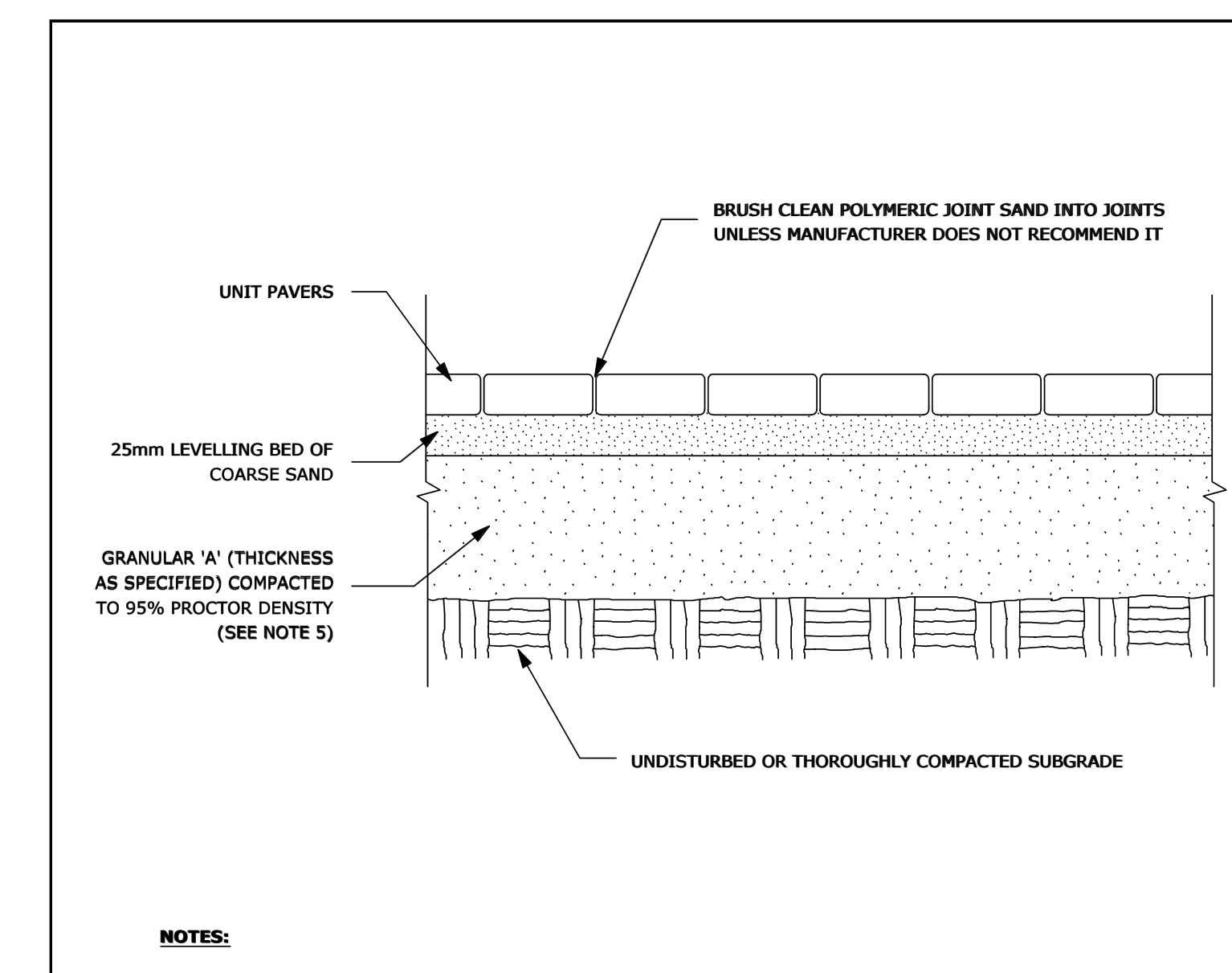
**NOTES:**  
 1. PLANTING SOIL MIXTURE AS PER SPECIFICATION.  
 2. SHRUBS SPECIFIED BARE ROOTS (B.R.) TO BE PLANTED SO THAT ROOTS ARE FULLY EXTENDED IN PLANTING HOLE WITH SOIL MIX BACKFILLED CAREFULLY TO PREVENT ROOT DAMAGE  
 3. PROVIDE 100 HIGH EARTH SAUCER AROUND SHRUB BED  
 4. STAKES TO BE REMOVED AT COMPLETION OF TWO YEAR WARRANTY PERIOD

**Ottawa** TITLE: **CONTINUOUS SHRUB BED PLANTING** DATE: FEB 2013  
 REV: FEB 2014  
 DWG No: **L17**



**NOTES:**  
 1. ALL DIMENSIONS ARE IN MILLIMETRES UNLESS OTHERWISE NOTED.  
 2. PLANTING SOIL MIXTURE AS PER SPECIFICATION.  
 3. PROVIDE 100MM HIGH EARTH SAUCER AROUND PERENNIAL/GRASS BED.

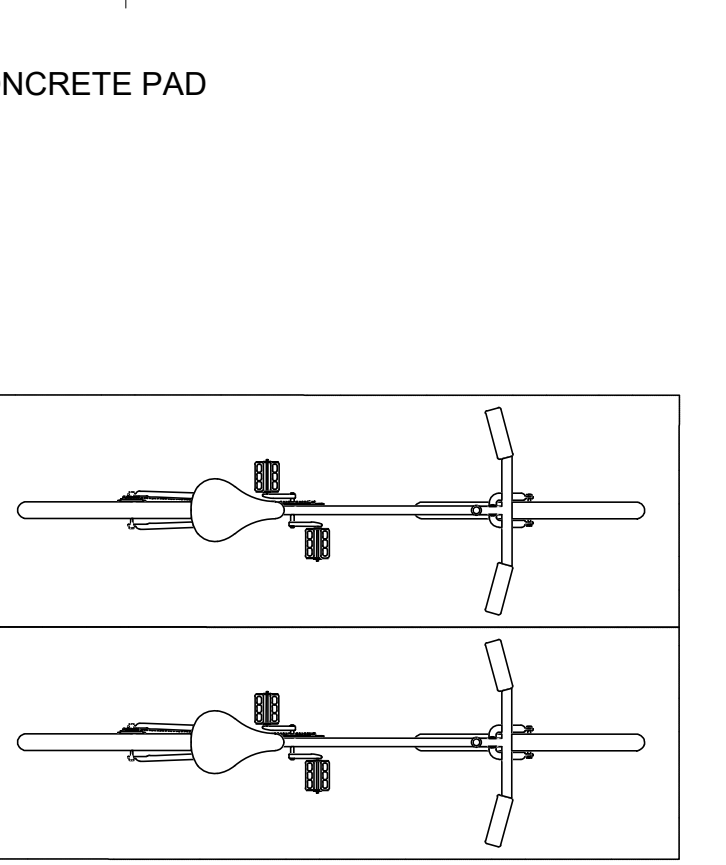
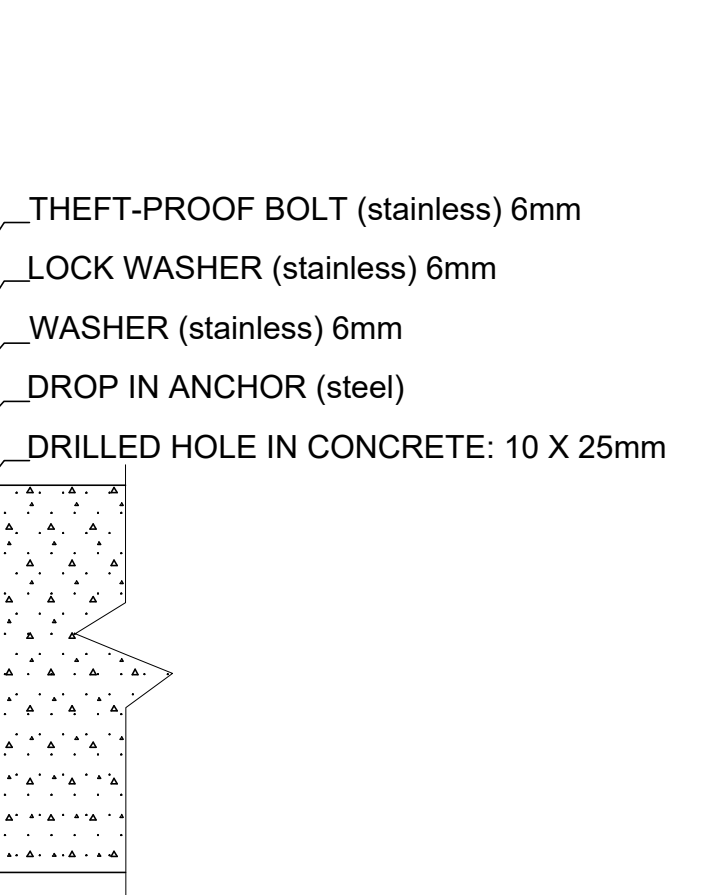
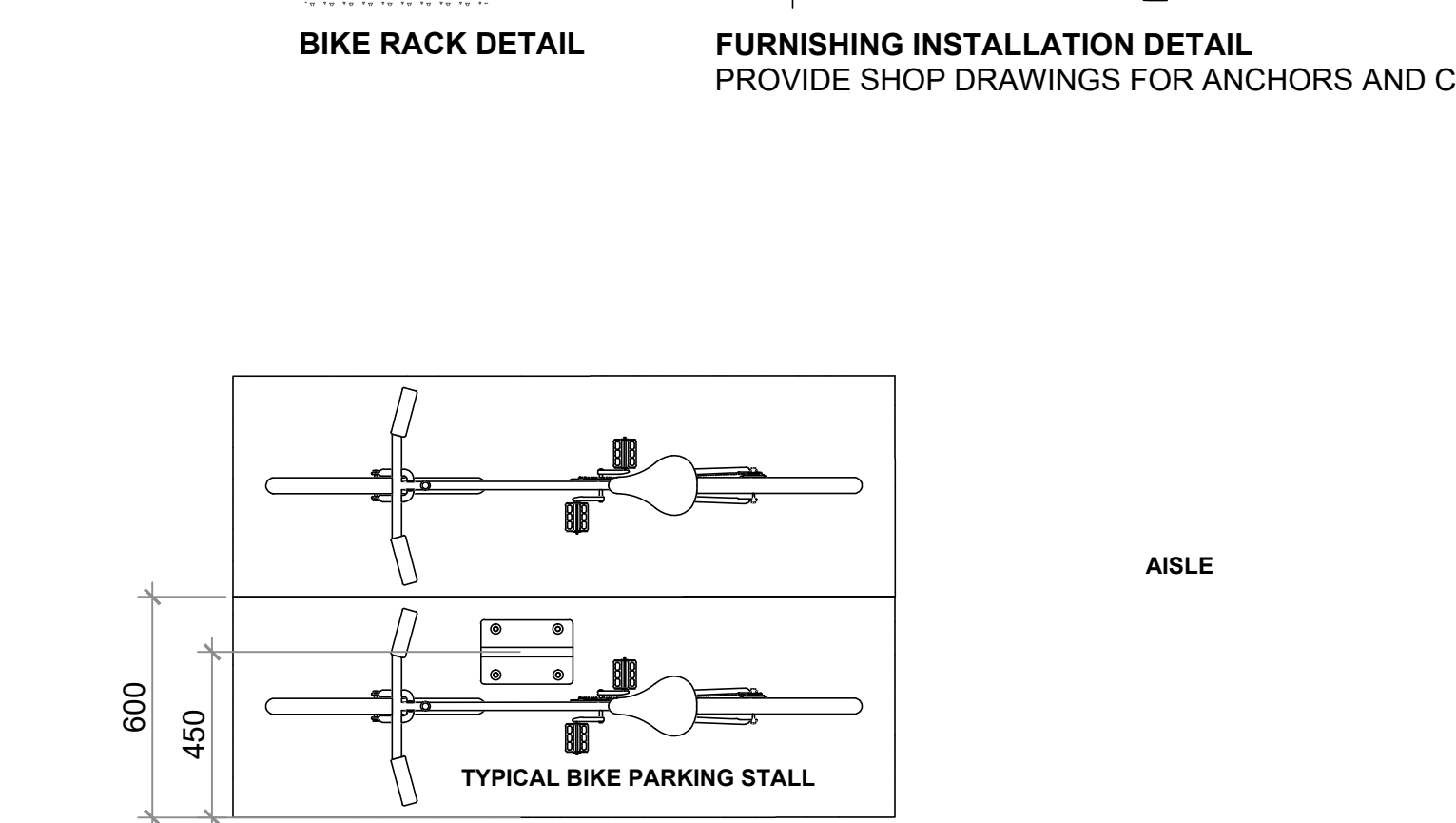
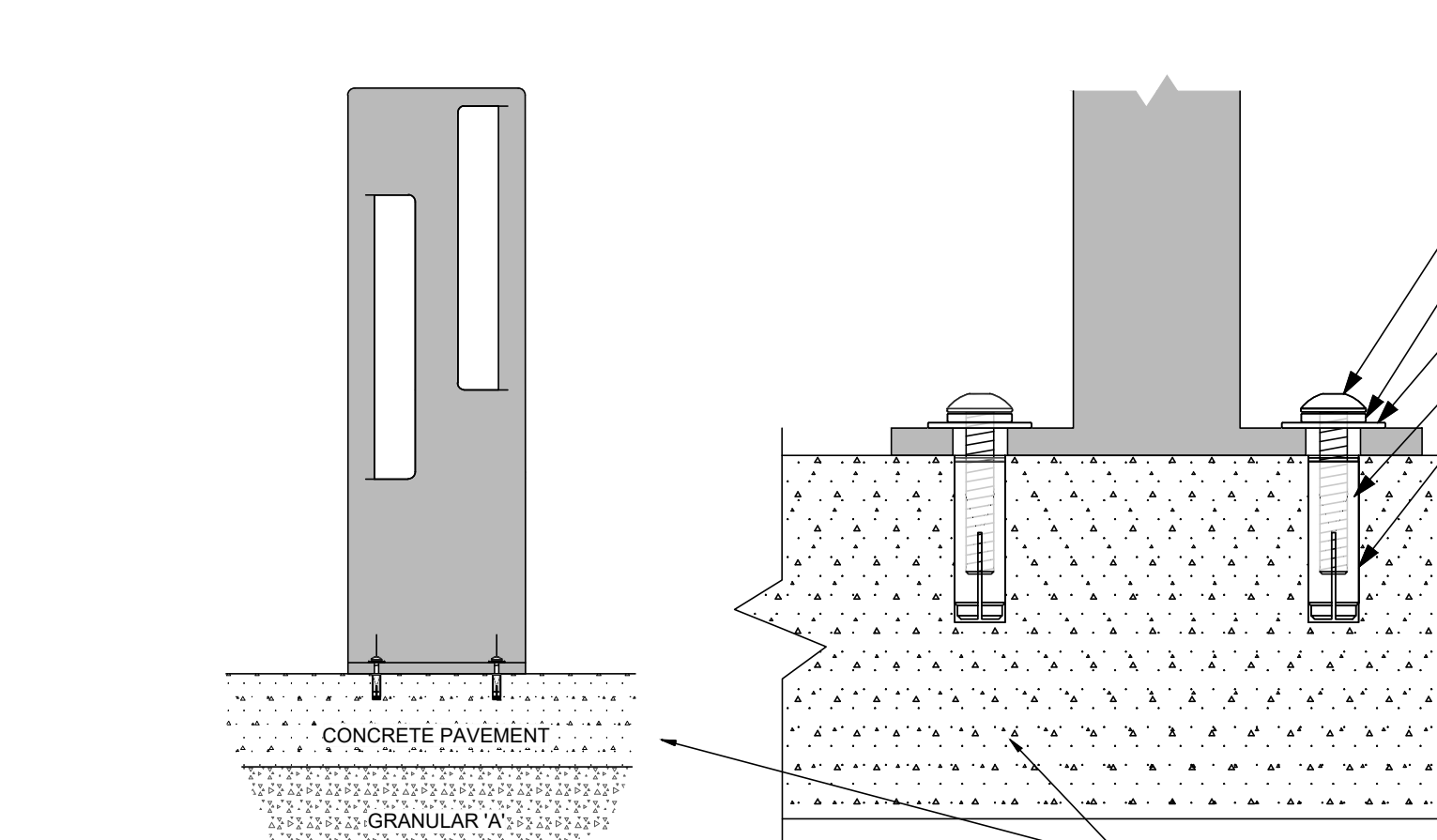
**Ottawa** TITLE: **PERENNIAL AND ORNAMENTAL GRASS PLANTING** DATE: JAN 2015  
 REV:  
 DWG No: **L21**



**NOTES:**  
 1. THE LEVELLING COURSE (BEDDING SAND) SHALL BE PLACED LOOSE, IN A UNIFORM LAYER AT A MAXIMUM DEPTH OF 25mm TO ACHIEVE THE FINAL COMPACTED THICKNESS AND GRADE AS SPECIFIED  
 2. INSTALL SOLID EDGE RESTRAINT BETWEEN UNIT PAVERS AND ANY SOFT SURFACE (SOD, PLANTING BED, ETC.)  
 3. UNIT PAVERS ARE THEN PLACED ON TOP OF THE LEVELLING COURSE AND ADDITIONAL SAND SWEEP BETWEEN THE UNIT PAVERS  
 4. THE UNIT PAVERS ARE THEN VIBRATED INTO PLACE WITH A VIBRA-PLATE AND WATER IS ADDED TO ASSIST IN THE SETTLING OF THE JOINT SAND  
 5. GRANULAR 'A' DEPTH TO BE 100mm FOR PEDESTRIAN AREAS AND 150mm FOR VEHICULAR ACCESSSES, OR AS RECOMMENDED BY GEOTECHNICAL INVESTIGATION  
 6. USE OF THIS DETAIL REQUIRES THE PRIOR APPROVAL OF THE GENERAL MANAGER

**Ottawa** TITLE: **UNIT PAVING - ON GRANULAR BASE** DATE: MAY 2001  
 REV: FEB 2016  
 DWG No: **5C9**

**NOTES:**  
 ADDITIONAL NOTES FOR NUMBER 5: PRECAST PAVERS IN PEDESTRIAN AREAS WHERE NORMAL SNOW REMOVALS ARE DONE IS TO RECEIVE A MINIMUM 200mm GRANULAR 'A'. FURTHER ADJUSTMENTS TO BE SPECIFIED IN RELATION TO SITE CONDITIONS AND GEOTECHNICAL RECOMMENDATIONS.



**Ottawa** TITLE: **PERENNIAL AND ORNAMENTAL GRASS PLANTING** DATE: JAN 2015  
 REV:  
 DWG No: **L21**

**Ottawa** TITLE: **UNIT PAVING - ON GRANULAR BASE** DATE: MAY 2001  
 REV: FEB 2016  
 DWG No: **5C9**

**BIKE RACK DETAIL**  
**FURNISHING INSTALLATION DETAIL**  
 PROVIDE SHOP DRAWINGS FOR ANCHORS AND CONCRETE PAD

7		
6		
5		
4	Re-issued for Site Plan Control	2024/07/19
3	Re-issued for Site Plan Control	2024/04/12
2	Re-issued for Site Plan Control	2023/11/27
1	Issued for Site Plan Control	2023/03/03

no. issue / revision date

north seal

**Ruhland & Associates Ltd**  
 landscape architecture • urban design • site planning  
 Ph: 613-224-0204 Fax: 613-224-0231 info@ralta.ca www.ralta.ca

project **LYNWOOD CENTRE REDEVELOPMENT**  
**1826 ROBERSTON ROAD**

drawing title **LANDSCAPE PLAN**

scale AS SHOWN	drawn by M. Malkov	designed by R. Ruhland
date July 2024	checked by R. Ruhland	plot date
project number <b>22-1694</b>	drawing number <b>L - 02</b>	

Contractor to check and verify all dimensions on the Job  
 Plan #19127