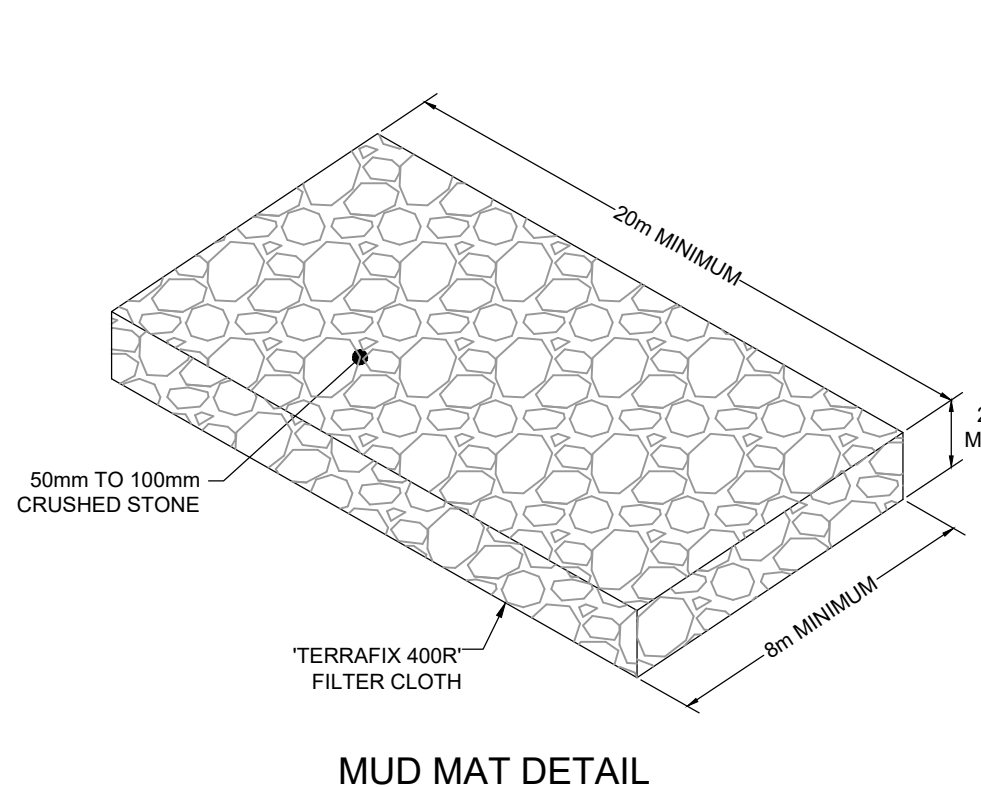
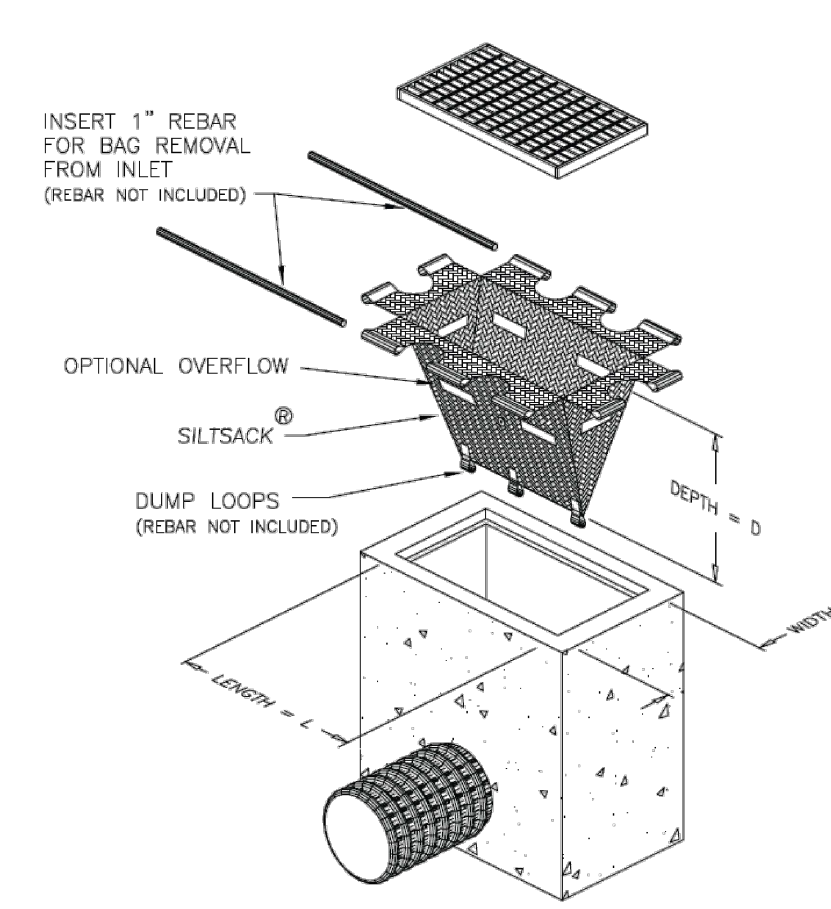


LIGHT DUTY SILT FENCE INSIDE ASPHALT CUT DETAIL

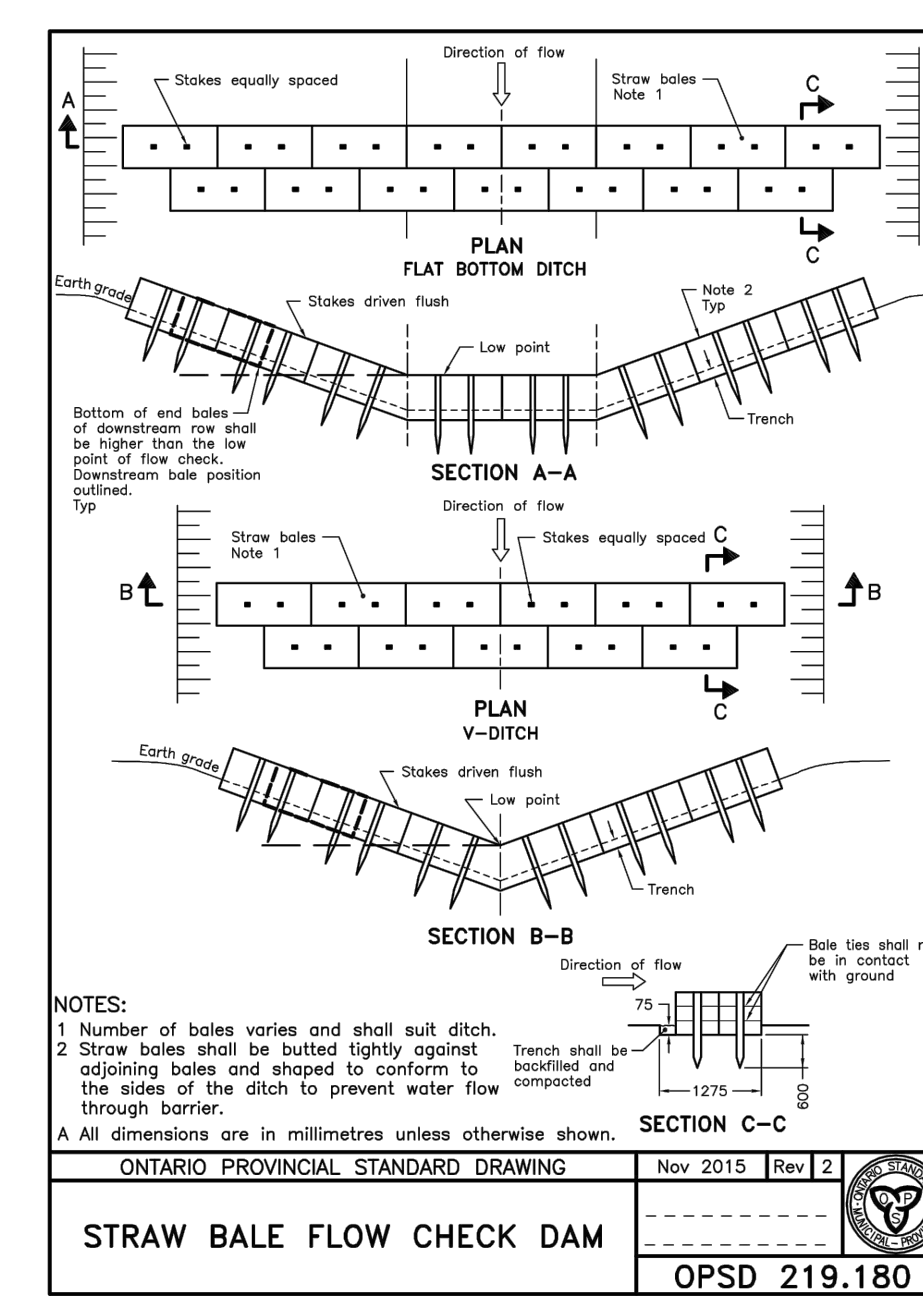


MUD MAT DETAIL

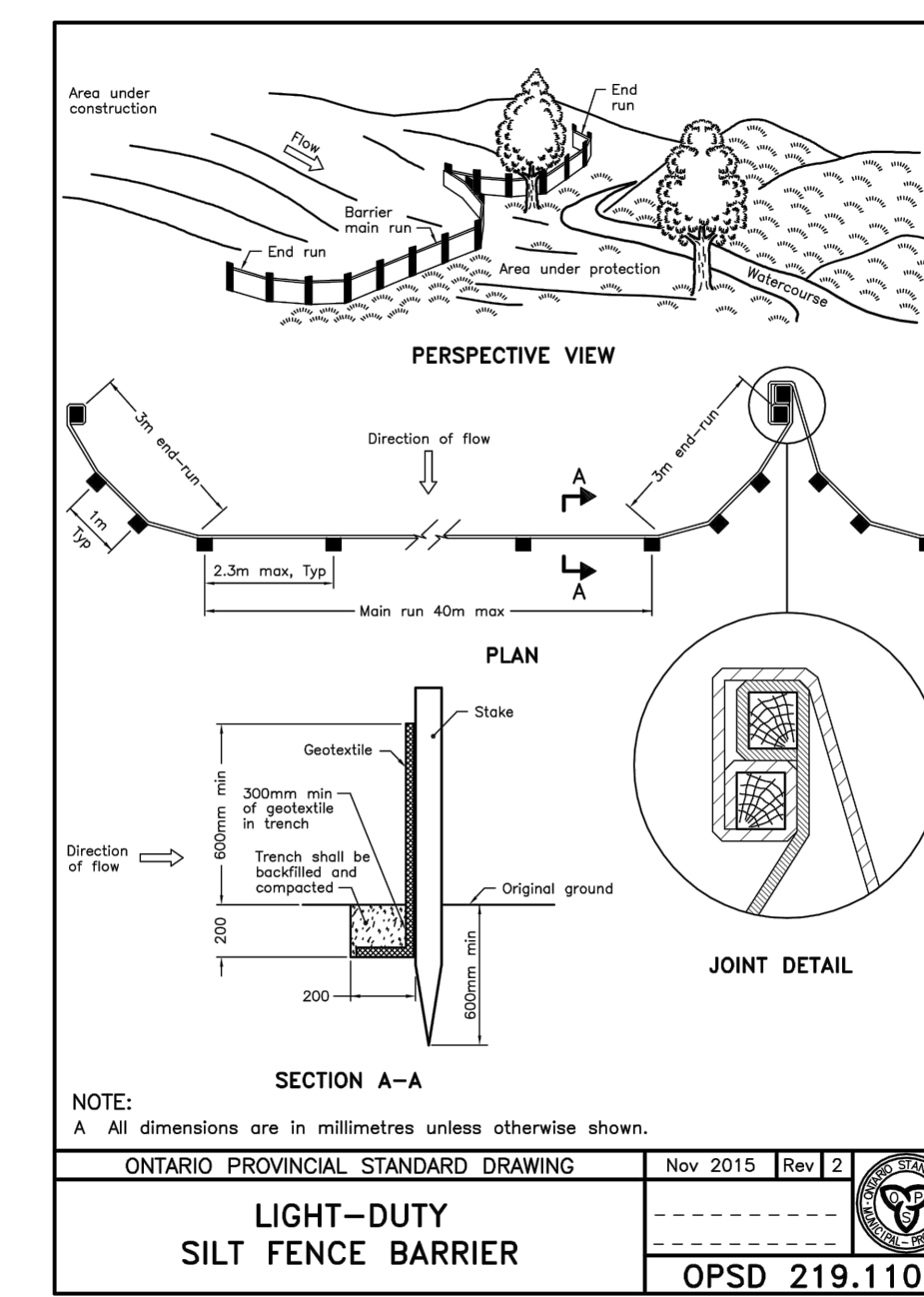


TEMPORARY CATCHBASIN INSERT DETAIL

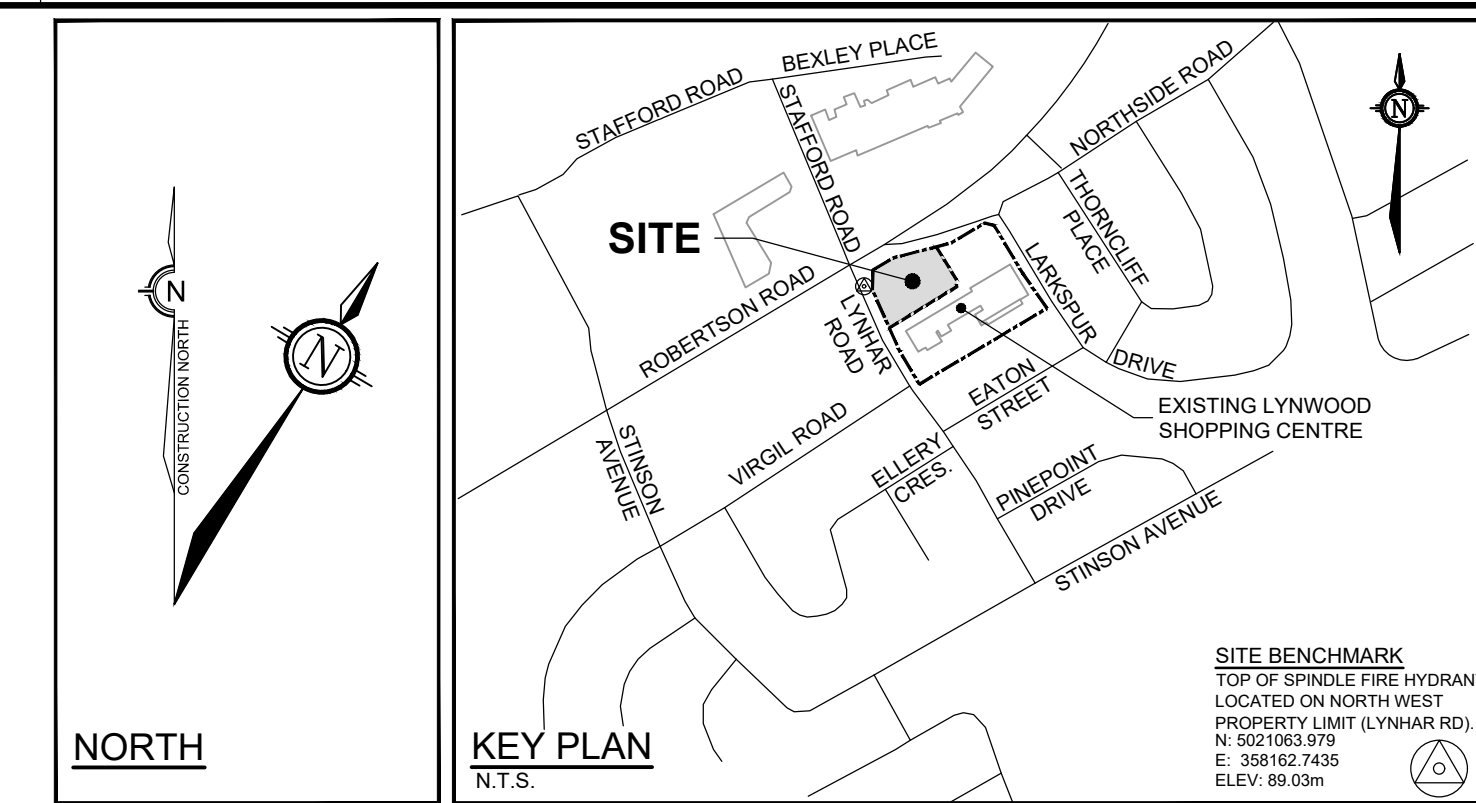
N.T.S.  
NOTE: ALL EXISTING AND PROPOSED CATCHBASINS ARE TO HAVE AN INSERT UNTIL CONSTRUCTION OF SUBDIVISION IS COMPLETE.



STRAW BALE FLOW CHECK DAM  
OPSD 219.180

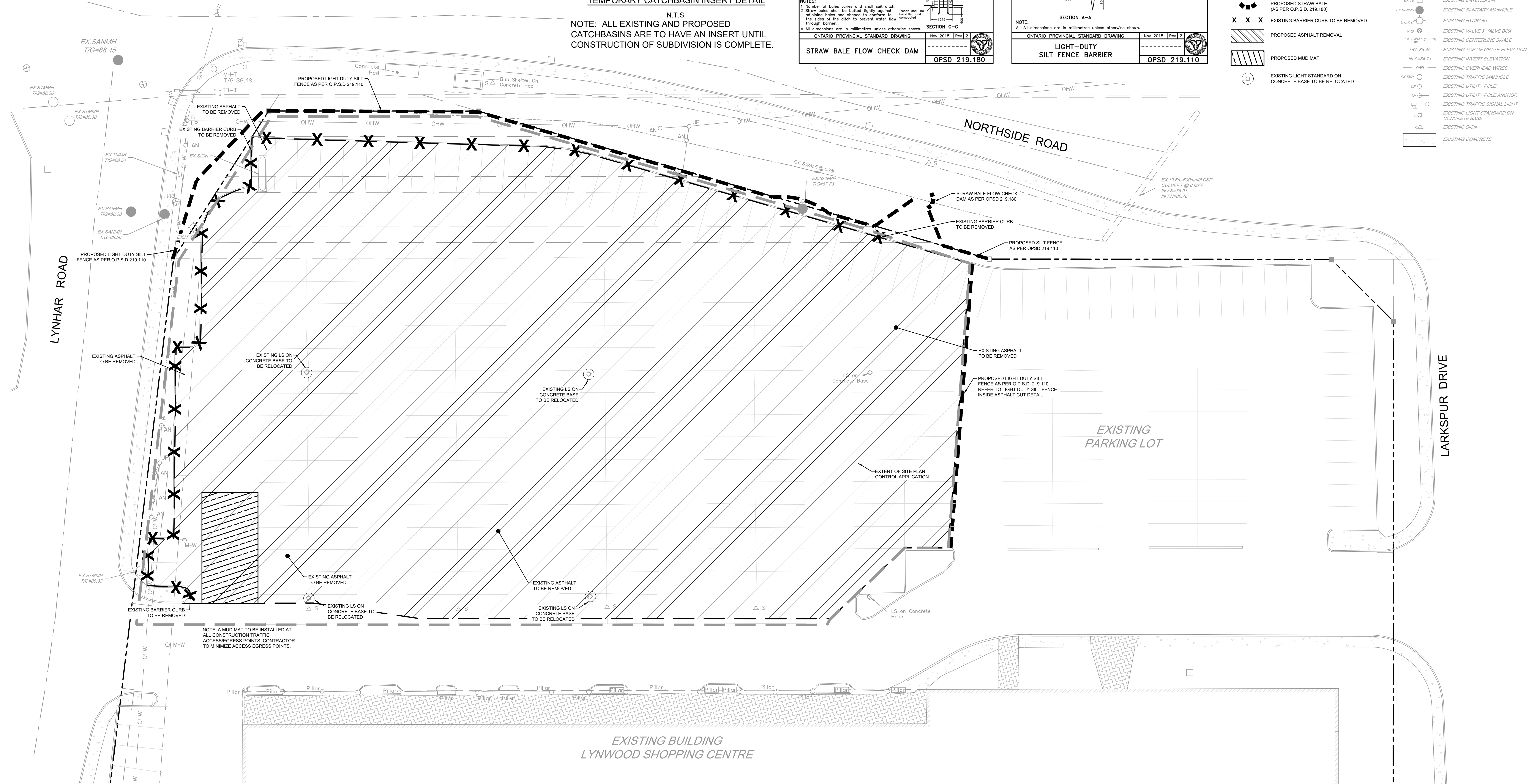


LIGHT-DUTY SILT FENCE BARRIER  
OPSD 219.110



**LEGEND**

[Symbol]	SITE BOUNDARY	[Symbol]	EXISTING ADJACENT LEGAL LINE
[Symbol]	LIMIT OF SITE PLAN CONTROL APPLICATION	[Symbol]	EXISTING CULVERT
[Symbol]	PROPOSED LIGHT DUTY SILT FENCE (AS PER O.P.S.D. 219.110)	[Symbol]	EXISTING STORM MANHOLE
[Symbol]	PROPOSED STRAW BALE (AS PER O.P.S.D. 219.180)	[Symbol]	EXISTING CATCHBASIN
[Symbol]	EXISTING BARRIER CURB TO BE REMOVED	[Symbol]	EXISTING SANITARY MANHOLE
[Symbol]	PROPOSED ASPHALT REMOVAL	[Symbol]	EXISTING HYDRANT
[Symbol]	PROPOSED MUD MAT	[Symbol]	EXISTING VALVE & VALVE BOX
[Symbol]	EXISTING LIGHT STANDARD ON CONCRETE BASE TO BE RELOCATED	[Symbol]	EXISTING CENTERLINE SWALE
[Symbol]		[Symbol]	EXISTING TOP OF GRATE ELEVATION
[Symbol]		[Symbol]	EXISTING INVERT ELEVATION
[Symbol]		[Symbol]	EXISTING OVERHEAD WIRES
[Symbol]		[Symbol]	EXISTING TRAFFIC POLE
[Symbol]		[Symbol]	EXISTING TRAFFIC MANHOLE
[Symbol]		[Symbol]	EXISTING UTILITY POLE
[Symbol]		[Symbol]	EXISTING UTILITY POLE ANCHOR
[Symbol]		[Symbol]	EXISTING TRAFFIC SIGNAL LIGHT
[Symbol]		[Symbol]	EXISTING LIGHT STANDARD ON CONCRETE BASE
[Symbol]		[Symbol]	EXISTING SIGN
[Symbol]		[Symbol]	EXISTING CONCRETE



REFER TO 106134-ND FOR ADDITIONAL NOTES AND DETAILS

NOTE: THE POSITION OF ALL POLE LINES, CONDUITS, WATERMANS, SEWERS AND OTHER UNDERGROUND AND OVERGROUND UTILITIES AND STRUCTURES IS NOT NECESSARILY SHOWN ON THE CONTRACT DRAWINGS, AND WHERE SHOWN, THE ACCURACY OF THE POSITION OF SUCH UTILITIES AND STRUCTURES IS NOT GUARANTEED. BEFORE STARTING WORK, DETERMINE THE EXACT LOCATION OF ALL SUCH UTILITIES AND STRUCTURES AND ASSUME ALL LIABILITY FOR DAMAGE TO THEM.

**PRELIMINARY  
NOT FOR  
CONSTRUCTION**

No.	REVISION	DATE	BY
4.	REVISED AS PER CITY OF OTTAWA COMMENTS	JUL 1924	SAZ
3.	REVISED AS PER CITY OF OTTAWA COMMENTS	APR 1924	SAZ
2.	REVISED AS PER CITY OF OTTAWA COMMENTS	NOV 1723	SAZ
1.	ISSUED WITH SITE PLAN APPLICATION	MAR 323	SAZ

SCALE	FOR REVIEW ONLY
1:200	SAZ
	MSP
	MTM
	SAZ
	MSP



CITY OF OTTAWA 1826 ROBERTSON ROAD LYNWOOD RETAIL PLAZA		PROJECT No. 106134-00
DRAWING NAME REMOVALS AND EROSION & SEDIMENT CONTROL PLAN		REV # REV # 4
DRAWING No. 106134-RM-ESC		#19127