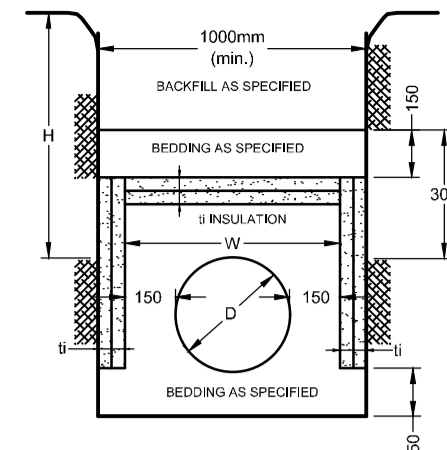
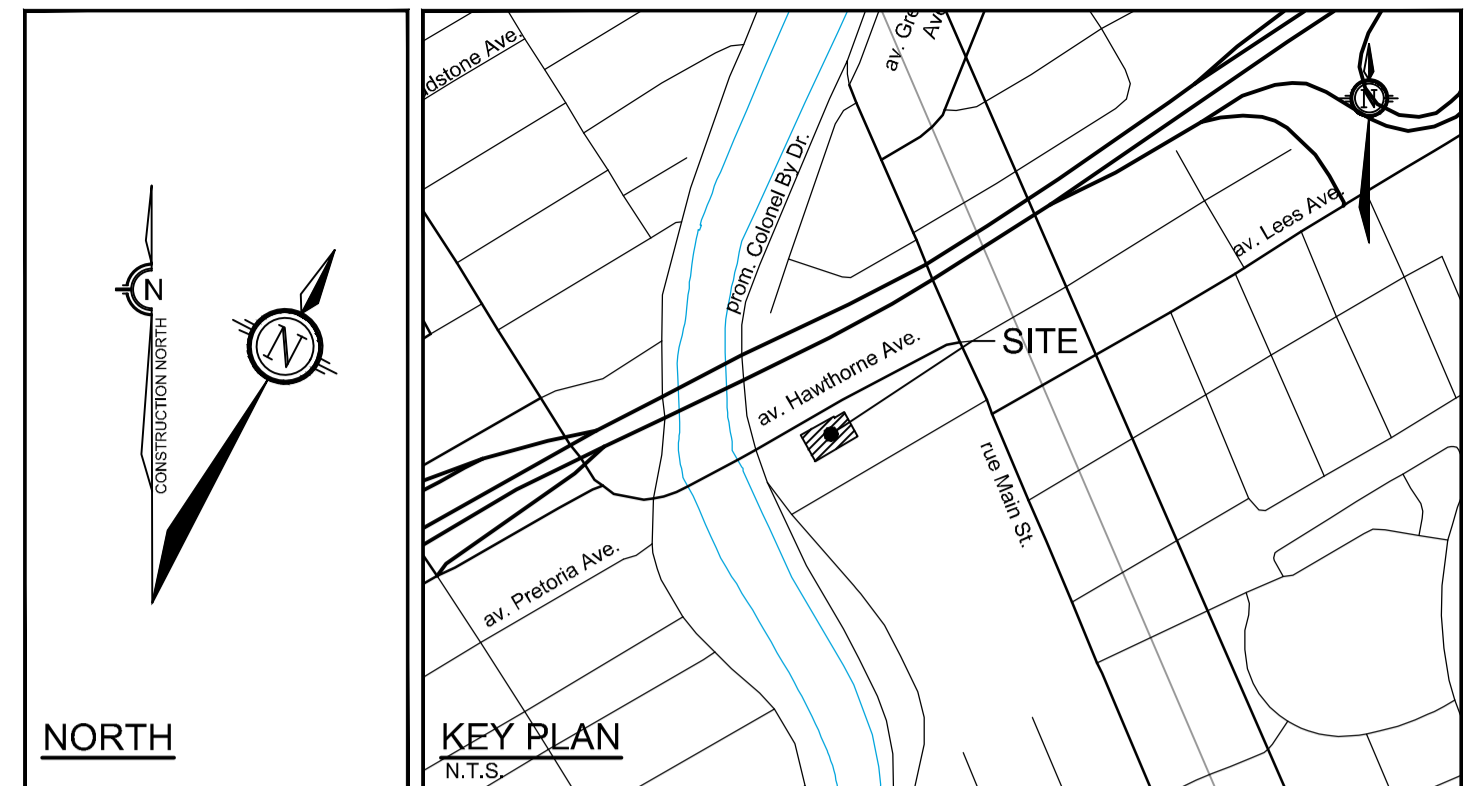


LEGEND

Table with 4 columns: Symbol, Description, Symbol, Description. Includes PROPERTY LINE, PROPOSED WATER SERVICE AND DIAMETER, FFE, FINISHED FLOOR ELEVATION, etc.



COVER THICKNESS TABLE with columns: COVER (mm), THICKNESS (mm), and NOTES regarding insulation requirements.



GENERAL NOTES:

- 1. COORDINATE AND SCHEDULE ALL WORK WITH OTHER TRADES AND CONTRACTORS.
2. DETERMINE THE EXACT LOCATION, SIZE, MATERIAL AND ELEVATION OF ALL EXISTING UTILITIES PRIOR TO COMMENCING CONSTRUCTION.

SEWER NOTES:

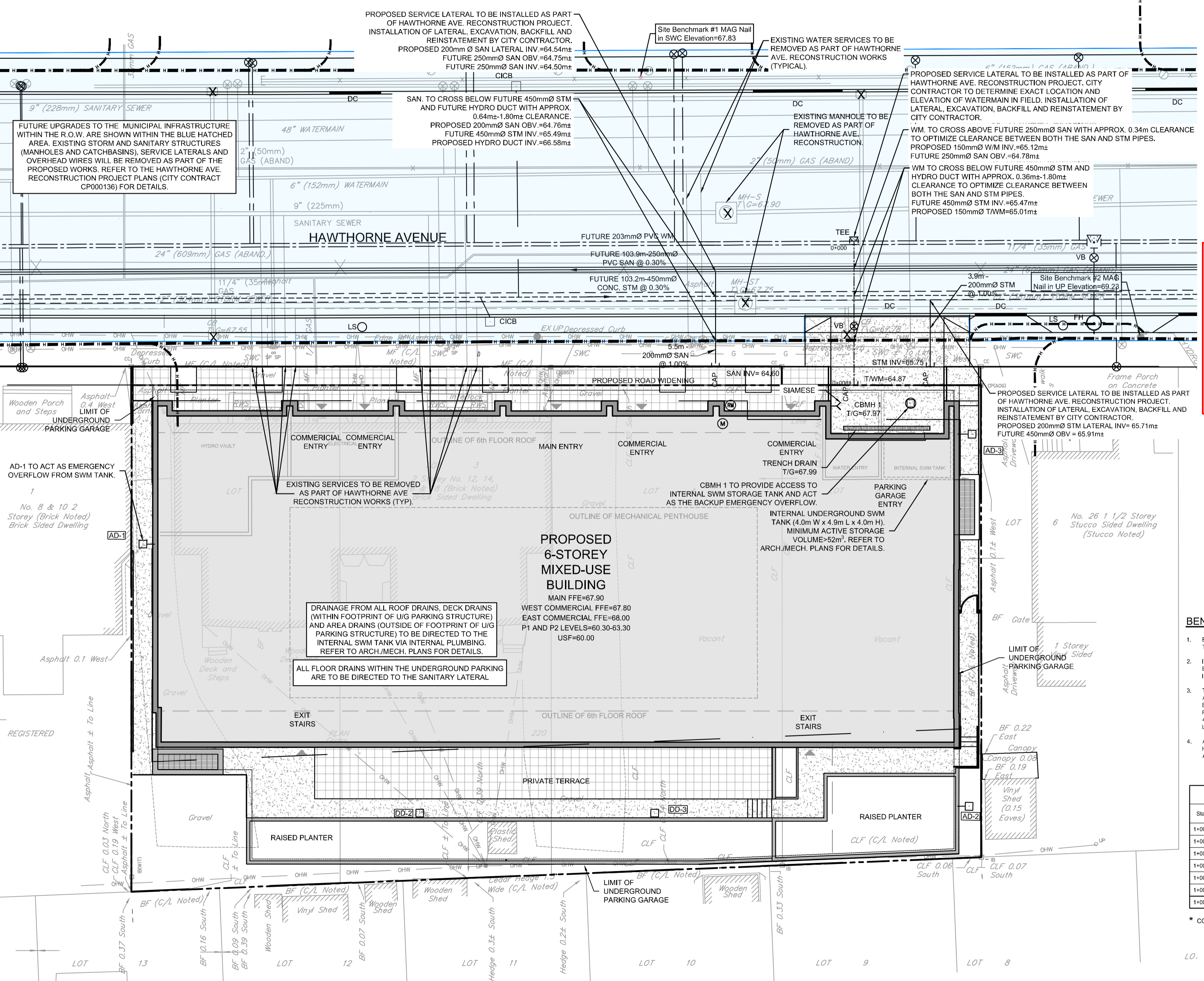
- 1. SUPPLY AND CONSTRUCT ALL SEWERS AND APPURTENANCES IN ACCORDANCE WITH THE MOST CURRENT CITY OF OTTAWA STANDARDS AND SPECIFICATIONS.
2. SPECIFICATIONS: ITEM, SPEC. No., REFERENCE.

INTERNAL SWM STORAGE TANK

Table with columns: DESIGN EVENT, STORAGE SYSTEM, CONTROLLED FLOW, STORAGE VOLUMES (REQUIRED, PROVIDED).

- 1. ALL DRAINAGE FROM AREA A-2 (PROPOSED AMENITY AREA DECK DRAINS/AREA DRAINS AND ALL ROOF DRAINS) TO BE DIRECTED TO THE INTERNAL STORMWATER STORAGE SYSTEM.

APPROVED By Andrew McCreight at 8:50 am, Feb 05, 2024. MANAGER, DEVELOPMENT REVIEW CENTRAL PLANNING, REAL ESTATE & ECONOMIC DEVELOPMENT DEPARTMENT, CITY OF OTTAWA



BENCHMARK NOTES:

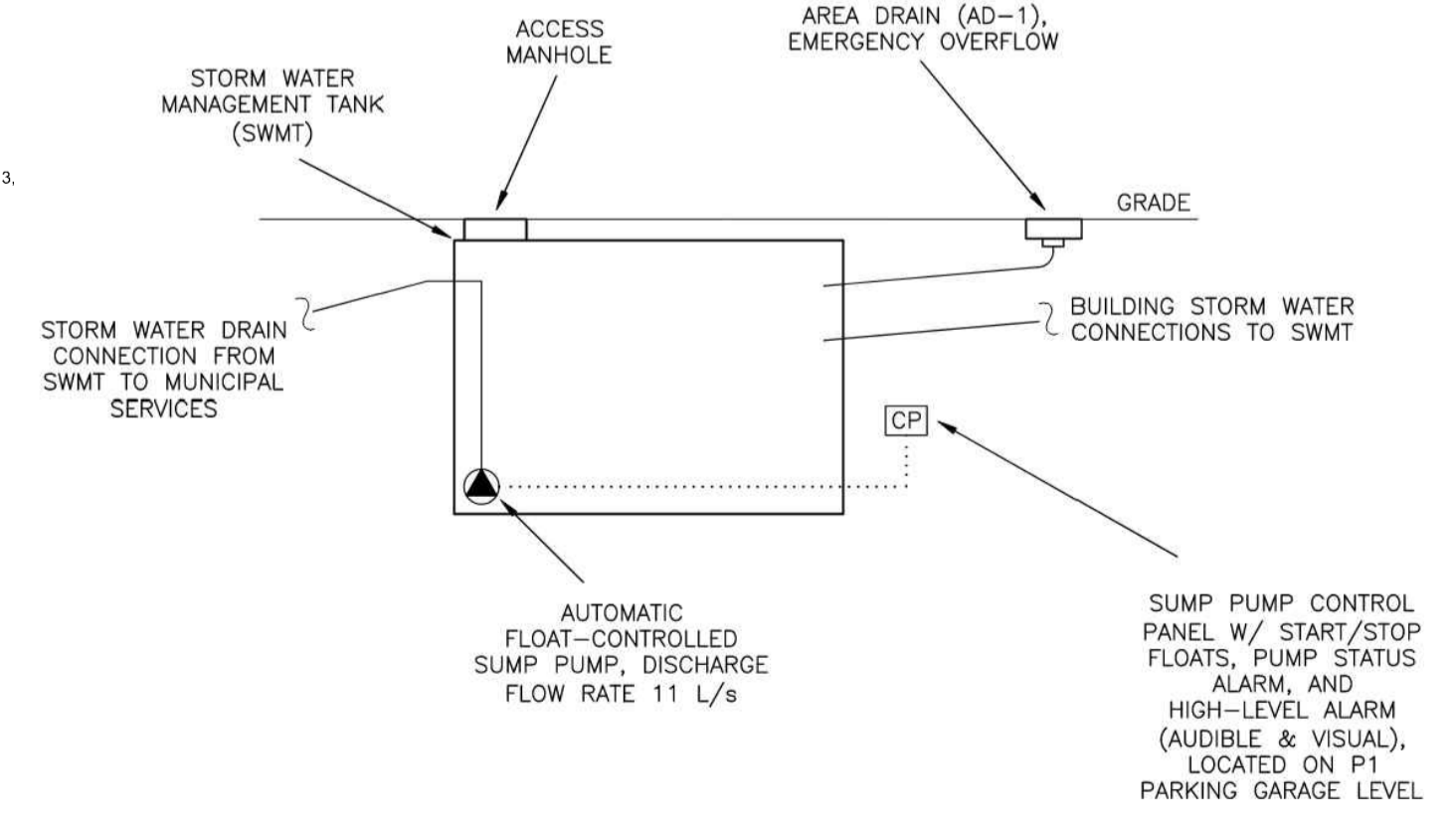
- 1. ELEVATIONS SHOWN ARE GEODETIC AND ARE REFERRED TO THE CGVD28 GEODETIC DATUM AND ARE REFERRED TO CITY OF OTTAWA BENCHMARK OTT 25.

PROPOSED 150mmØ WATER SERVICE TABLE

Table with columns: Station, RIG ELEVATION, TOP OF WATERMAIN, DESCRIPTION.

WATERMAIN NOTES:

- 1. SUPPLY AND CONSTRUCT ALL WATERMANS AND APPURTENANCES IN ACCORDANCE WITH THE CITY OF OTTAWA STANDARDS AND SPECIFICATIONS.
2. SPECIFICATIONS: ITEM, SPEC. No., REFERENCE.



NOTE: THE POSITION OF ALL POLE LINES, CONDUITS, WATERMANS, SEWERS AND OTHER UNDERGROUND AND OVERGROUND UTILITIES AND STRUCTURES IS NOT NECESSARILY SHOWN ON THE CONTRACT DRAWINGS...

OWNER INFORMATION: JBPA Developments Inc. 107 Pretoria Avenue Ottawa, ON, K1S 1W8. CONTACT: KEVIN FAGAN Tel: (613) 695-6767 EMAIL: kfagan@jbpa.ca

Revision table with columns: No., REVISION, DATE, BY. Includes entries for revised per city comments and issued for site plan control approval.

FOR REVIEW ONLY stamp, NOVATECH logo, LOCATION: CITY OF OTTAWA 12-24 HAWTHORNE AVENUE, DRAWING NAME: GENERAL PLAN OF SERVICES, PROJECT No. 122152, REV # 4, DRAWING No. 122152-GP, PLAN #19052