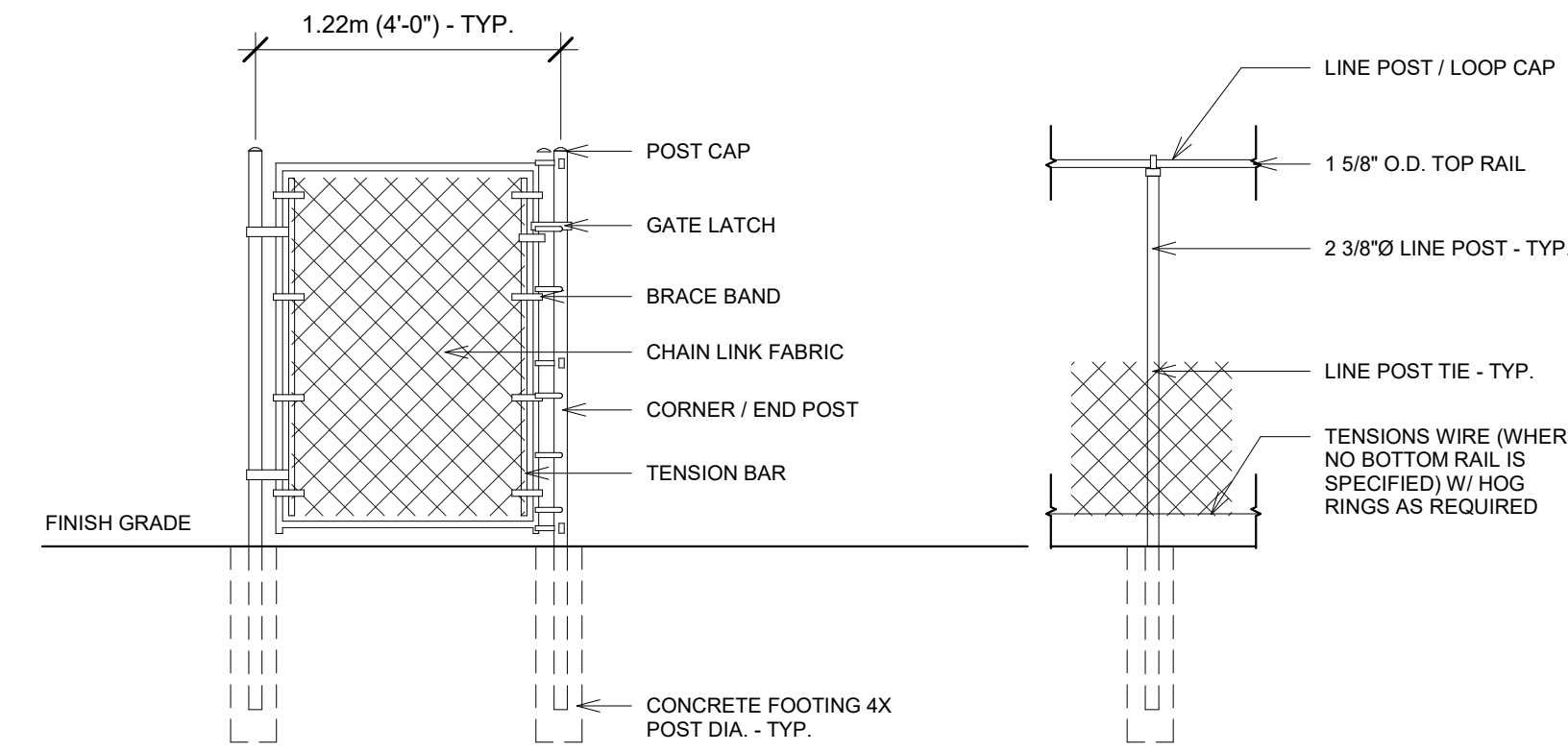
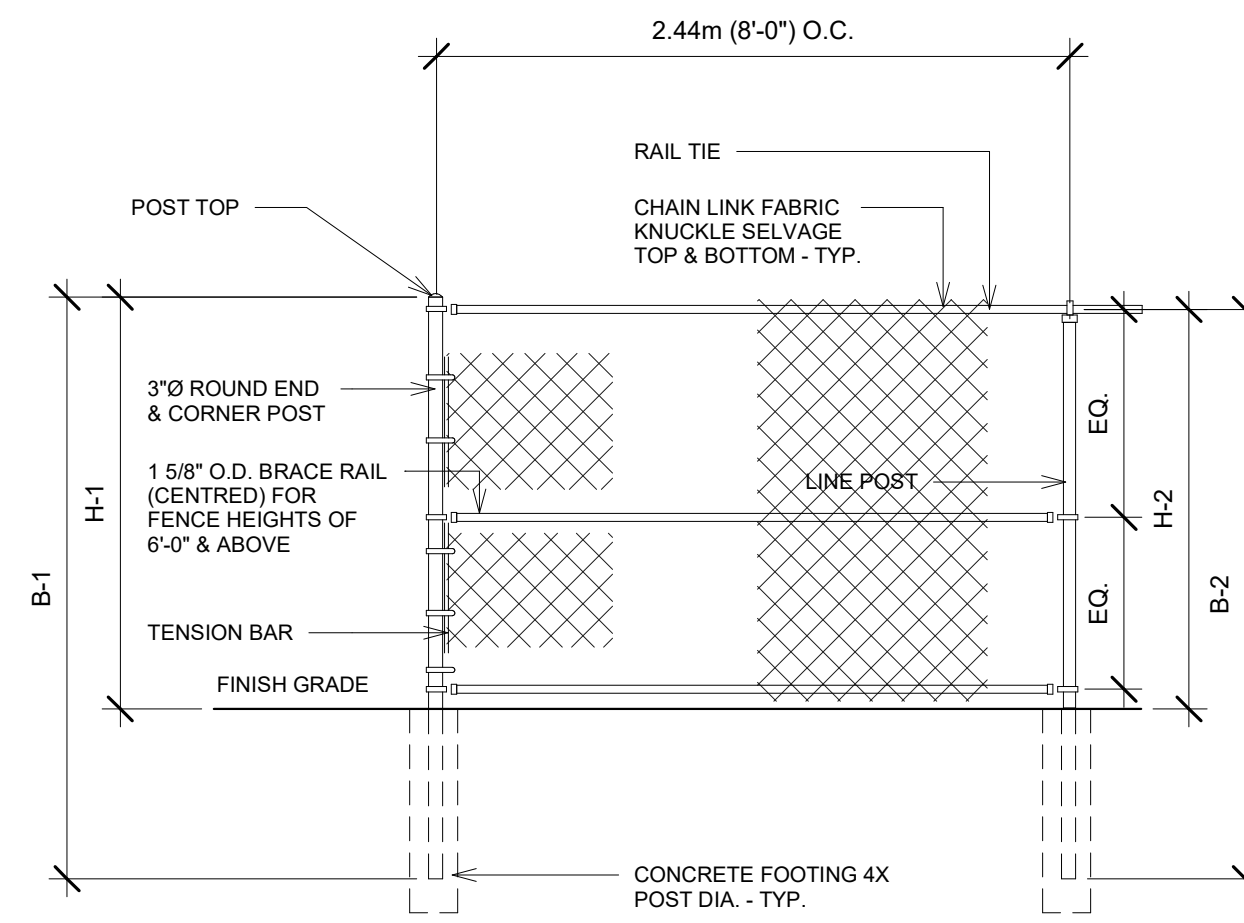
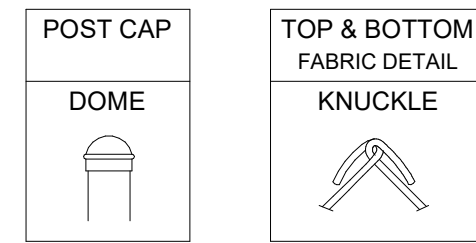


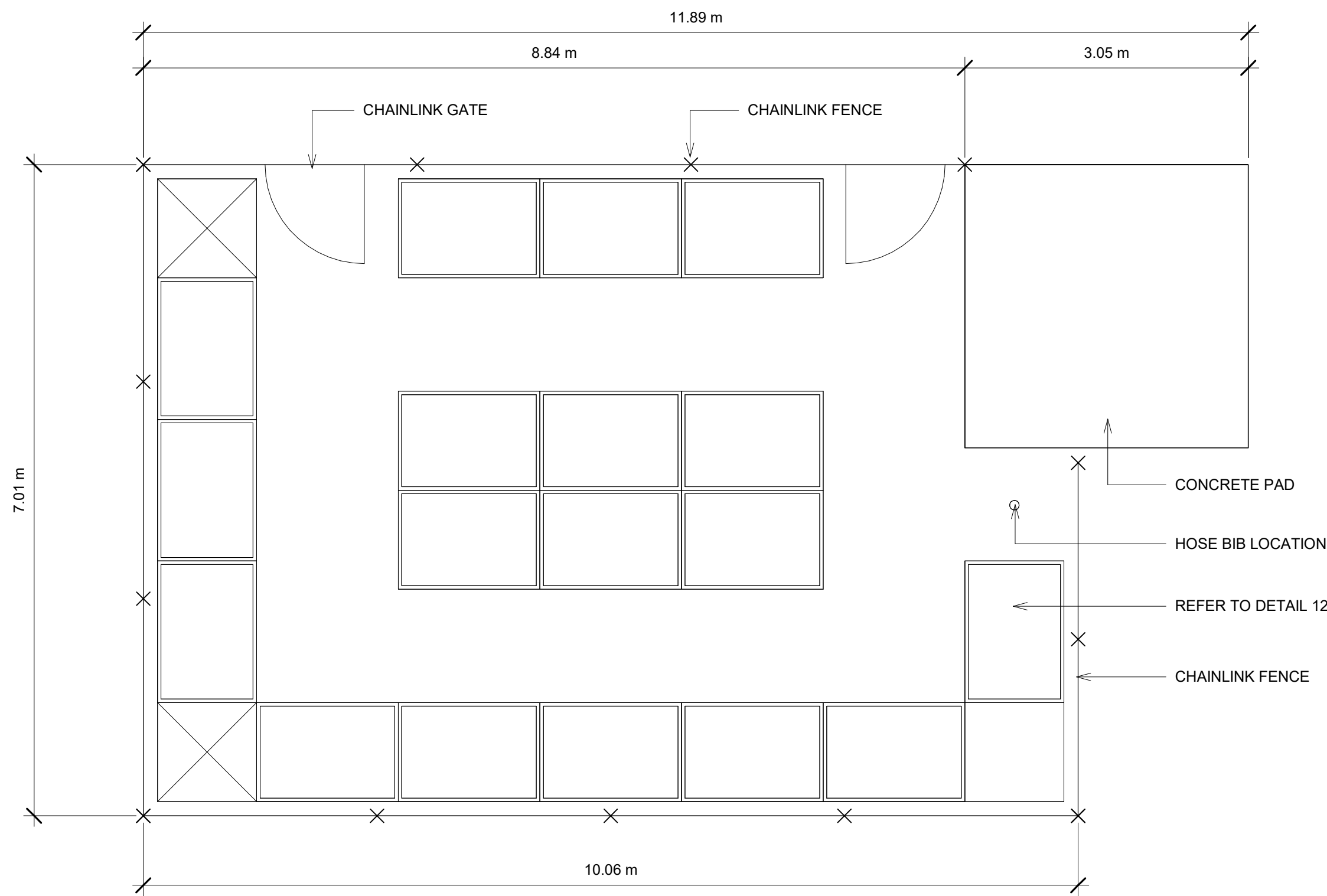
GENERAL NOTES:

- FOOTING WIDTH TO BE (4)X POST WIDTH
- ALL MATERIAL TO CONFORM TO CSA
- ALL GALVANIZED FITTINGS TO CONFORM TO ASTM-A153
- ALL FENCE COMPONENTS TO BE VINYL COATED
- VINYL COATING COLOR TO BE BLACK
- NO ALUMINUM TIES SHALL BE PERMITTED
- POST AND RAIL SIZES MAY REQUIRE MODIFICATION TO MEET SPECIFIC PROJECT REQUIREMENTS

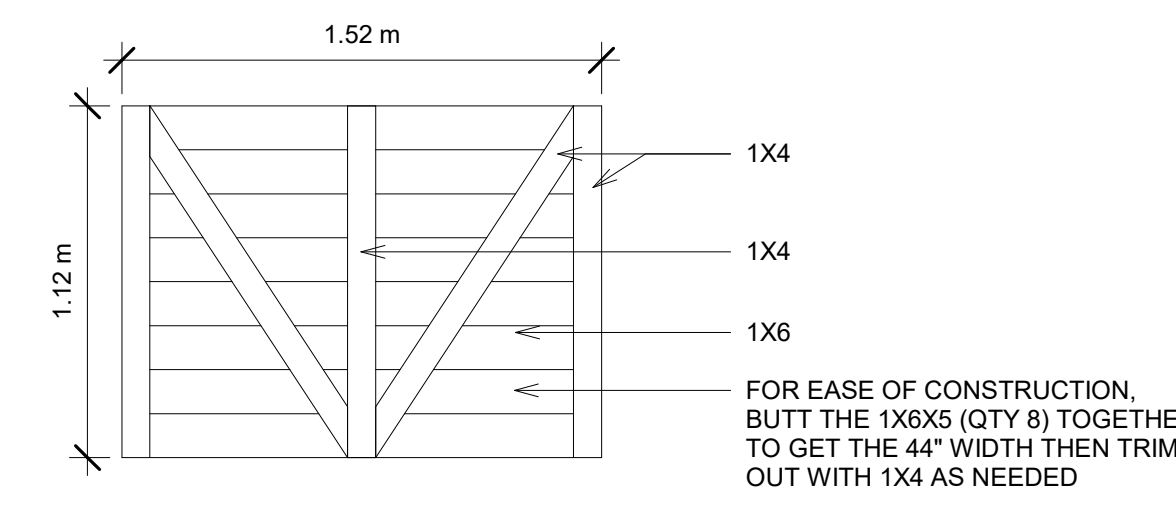
LOCATION	FENCE HEIGHT NOMINAL HEIGHT	END & CORNER POSTS		LINE POSTS	
		B-1 BAR LENGTH	H-1 HEIGHT ABOVE GRADE	B-2 BAR LENGTH	H-2 HEIGHT ABOVE GRADE
GARDEN	4'-0"	7'-0"	4'-0 5/8"	6'-8"	3'-8 7/8"
DOG RUN	5'-0"	8'-0"	5'-0 5/8"	7'-8"	4'-8 7/8"
PARKADE	9'-0"	N/A	9'-0 5/8"	N/A	8'-8 7/8"



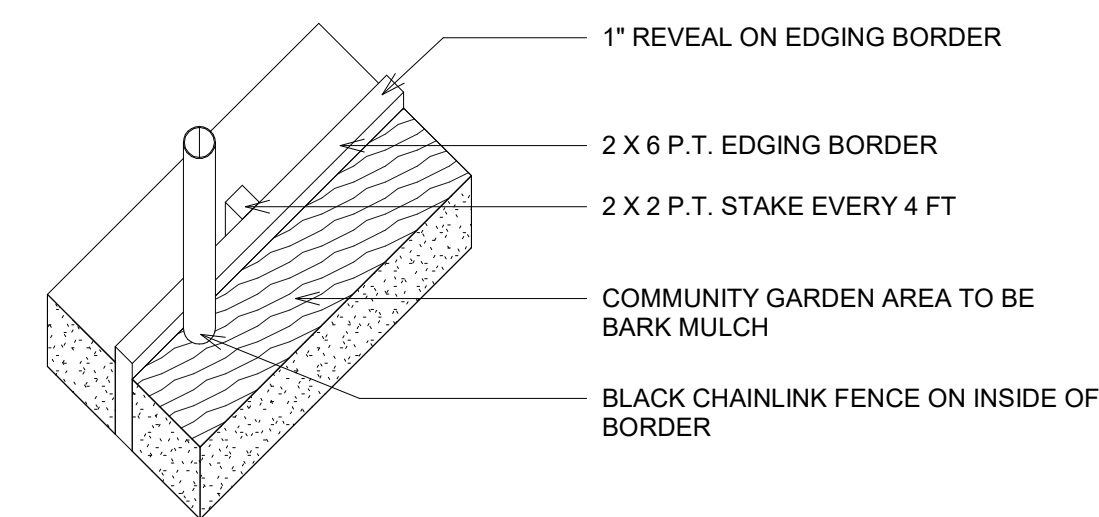
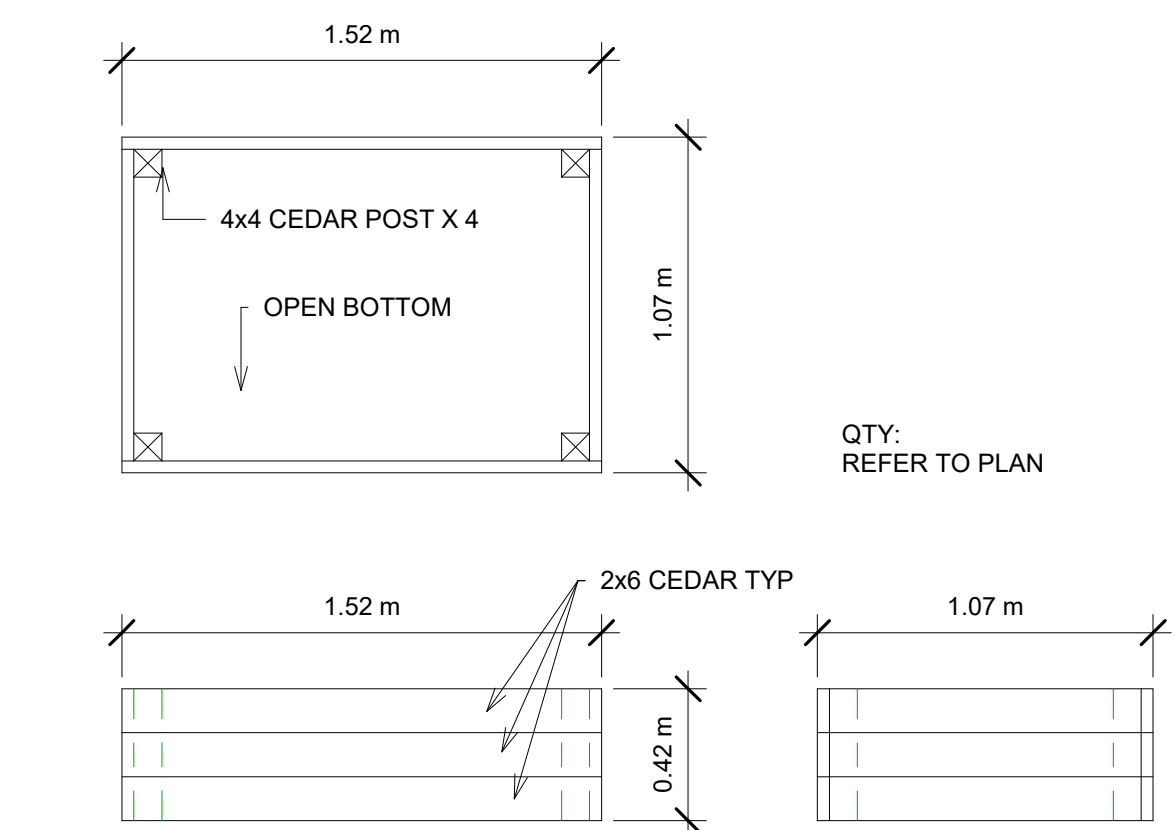
1 CHAINLINK FENCING DETAILS
1 : 24



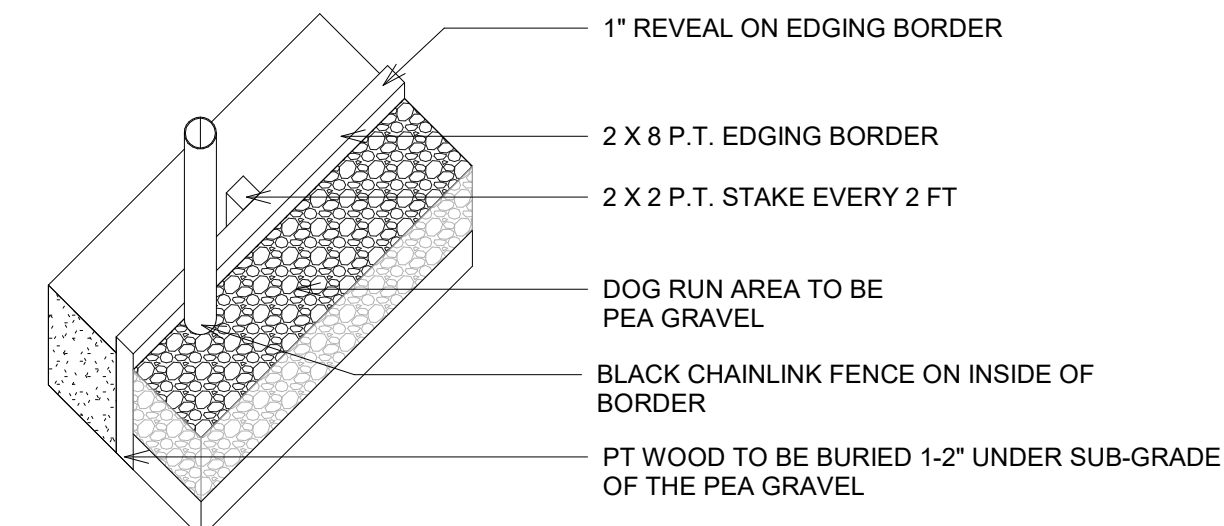
COMMUNITY GARDEN LAYOUT
1 : 48



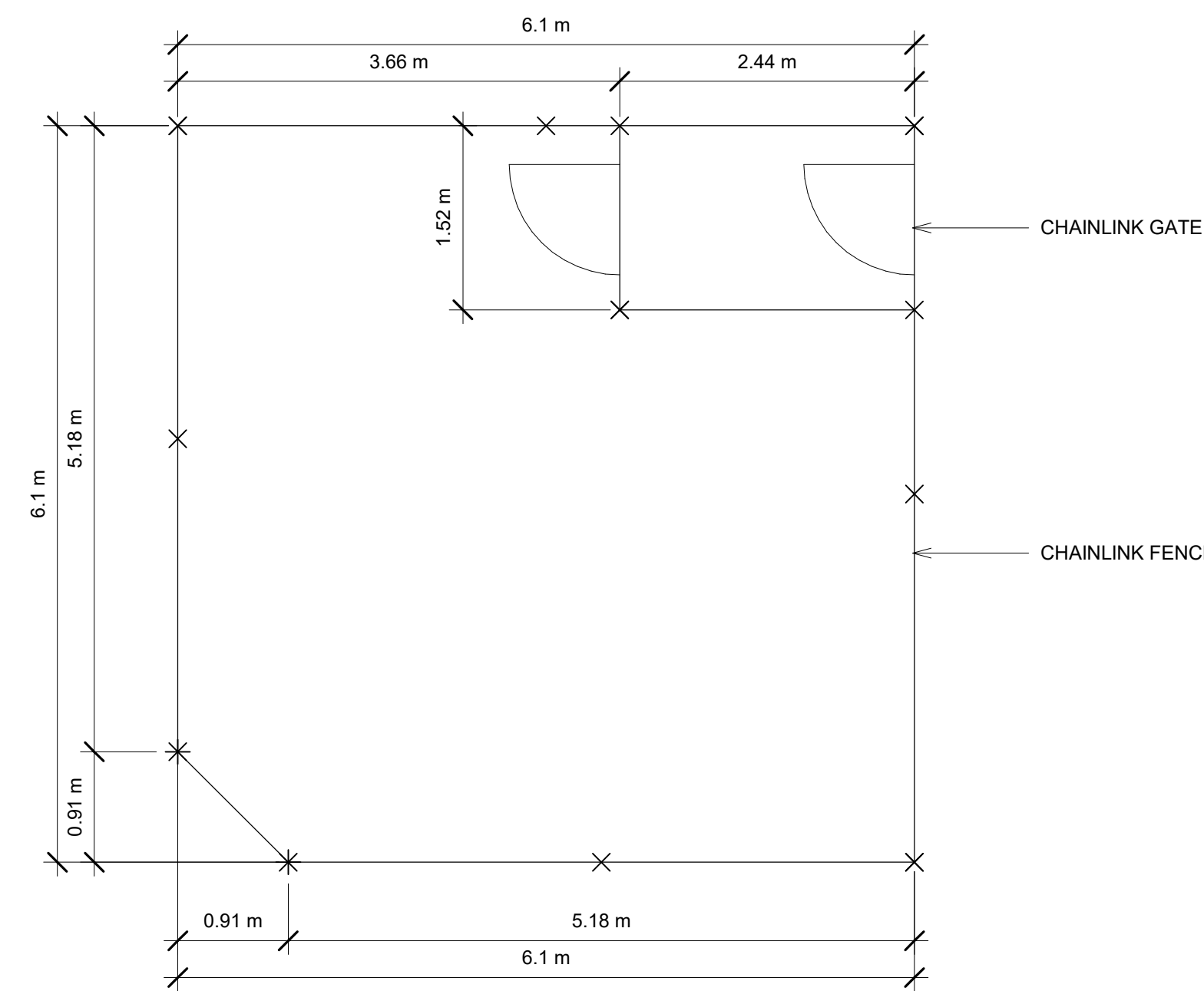
12 COMMUNITY GARDEN PLANTER BOX
1 : 24



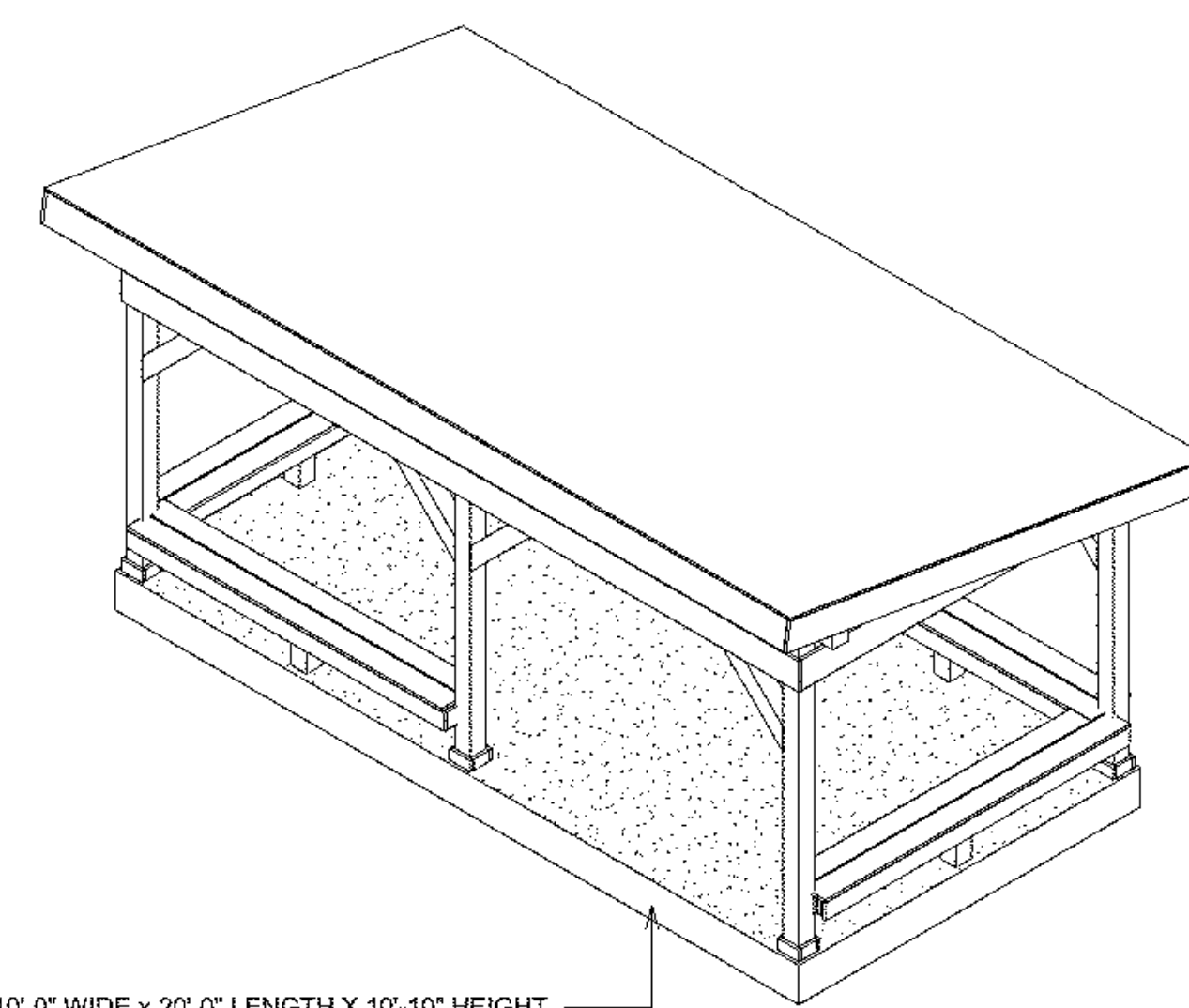
10 GARDEN RUN BORDER
1 : 12



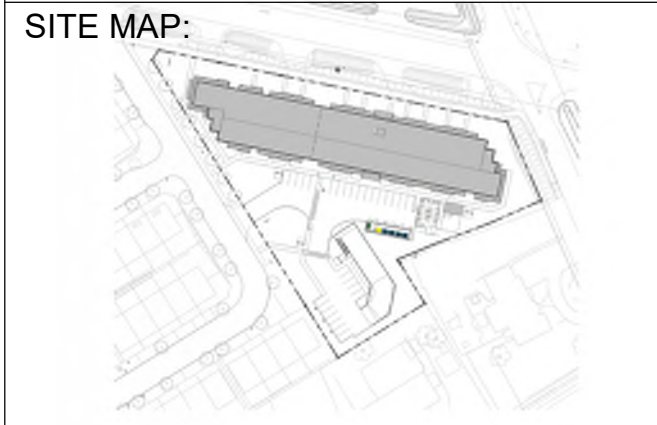
11 DOG RUN BORDER
1 : 12



DOG RUN LAYOUT
1 : 48



PERGOLA - 3D ISO
1 : 48



PROJECT STATUS:
ISSUED FOR SITE PLAN CONTROL

Revision Schedule		
No.	Description	Revision Date
A	ISSUED FOR SPC	04/26/2023
B	RE-ISSUED FOR SPC	09/15/2023
C	RE-ISSUED FOR SPC	12/15/2023

SEAL: **ABELEARCHITECTURE**
THOMAS C. ABLE, ARCHITECT OAA, T: 604.662.6818

TRADE CONTRACTORS SHALL VERIFY ALL DIMENSIONS AND REPORT ANY DISCREPANCIES OR INCONSISTENCIES TO SEYMOUR PACIFIC DEVELOPMENTS LTD., WITHOUT DELAY, FOR CLARIFICATION AND/OR CONFIRMATION. DO NOT SCALE DRAWINGS. DESIGNS REPRESENTED AND DRAWINGS USED AS INSTRUMENTS OF SERVICE SHALL REMAIN THE COPYRIGHT AND PROPERTY OF SEYMOUR PACIFIC DEVELOPMENTS LTD. ANY REPRODUCTION OR USE FOR ANY PURPOSE OTHER THAN THAT AUTHORIZED BY SEYMOUR PACIFIC DEVELOPMENTS LTD. IS PROHIBITED.

CONTRACTORS SHALL REMAIN FAMILIAR WITH, SHALL REFER TO, AND SHALL PERFORM IN ACCORDANCE WITH LOCAL LAWS, REGULATIONS AND BUILDING CODES. CONTRACTORS SHALL MAINTAIN GOOD INDUSTRY BUILDING AND SAFETY PRACTICES CONSISTENT WITH THE CONTRACT INTENT AND THE REQUIREMENTS OF JURISDICTIONAL AUTHORITIES.

ADDITIONAL CLAIMS AND COSTS RELATED TO NON-MATERIAL CHANGES WILL NOT BE ACCEPTED BY SEYMOUR PACIFIC DEVELOPMENTS LTD. NON-MATERIAL CHANGES ARE DEEMED TO BE PLAN CHANGES OR SPECIFICATION ADJUSTMENTS THAT DO NOT SUBSTANTIALLY AFFECT THE VALUE, TIME, COST AND QUALITY OF CONSTRUCTION.

CONTRACTORS SHALL MAKE EVERY REASONABLE EFFORT TO MAINTAIN SCHEDULE TARGETS AND PROVIDE GOOD EFFICIENCY, PROGRESS, WORKMANSHIP AND QUALITY TOWARD DEFICIENCY-FREE RESULTS.

PROJECT NAME:
RHYTHM APARTMENTS

PROJECT NUMBER:
VP 2211

ADDRESS:
3080 NAVAN ROAD, OTTAWA

DRAWING TITLE:
SITE ACCESSORIES

DRAWN BY: EC
CHECKED BY: CG
DATE: DEC 15, 2023
SCALE: As indicated

DRAWING #: **A1.05** REV #: **C**