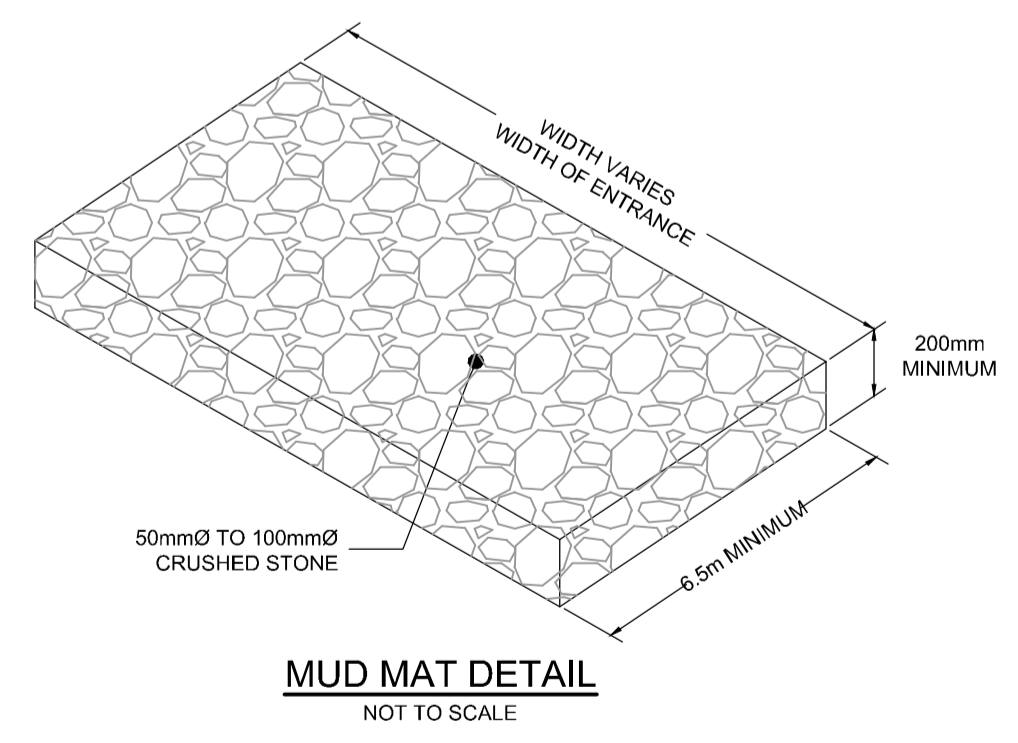
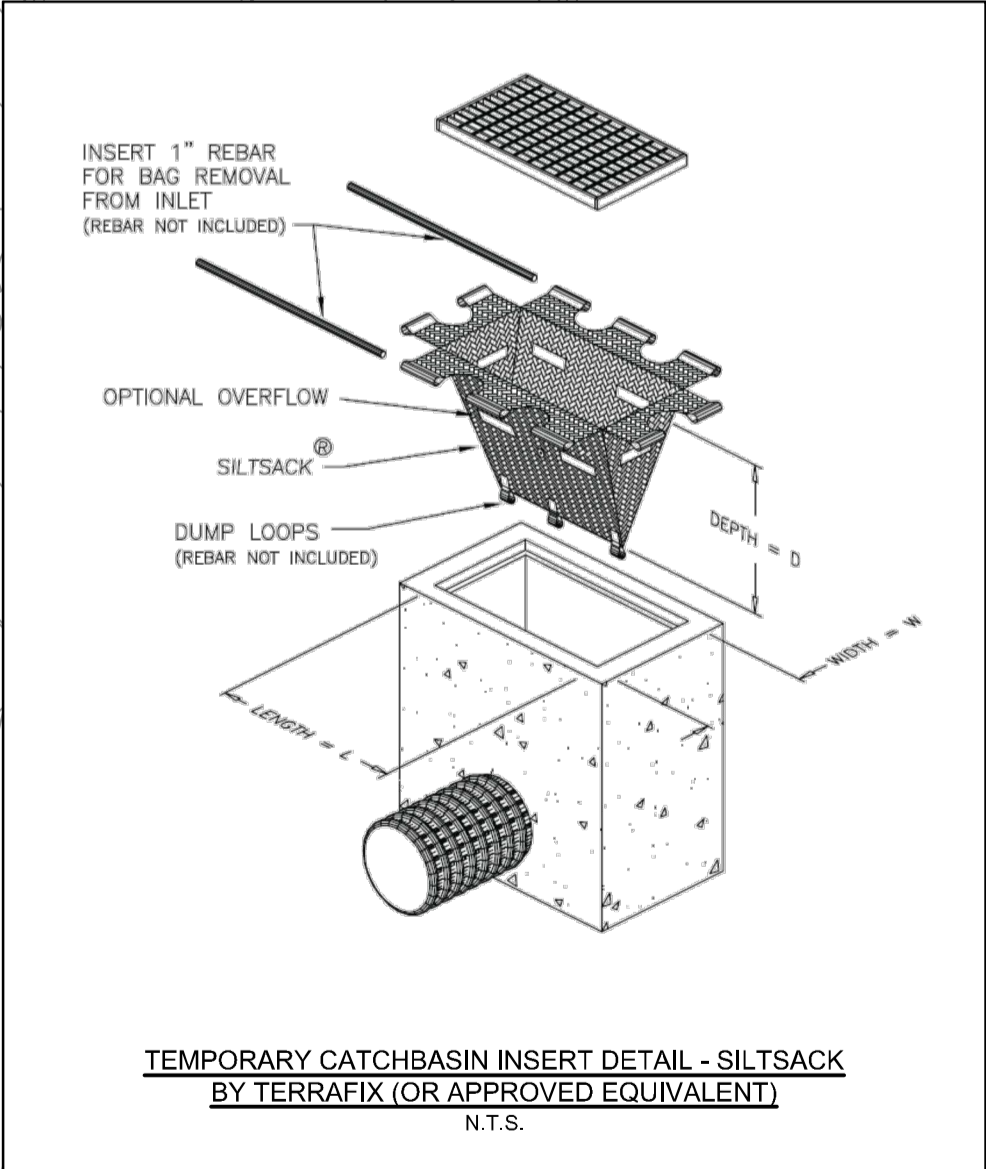


**LEGEND**

---	PROPERTY LINE	○	PROPOSED FILTER BAGS AT CATCHBASINS, CATCHBASIN MANHOLES AND TRENCHDRAINS
---	PROPOSED CURB	MM	PROPOSED MUD MAT
DC	PROPOSED DEPRESSED CURB	○	LIGHT DUTY SILT FENCE (OPSD 219.110)
---	PROPOSED RETAINING WALL C/W GUARD RAIL	STM MH	EXISTING STORM MANHOLE
○	PROPOSED CAP	CB 1	EXISTING CATCHBASIN
---	PROPOSED STORM SEWER AND MANHOLE	LS	EXISTING LIGHT STANDARD
○	PROPOSED CATCHBASIN MANHOLE	X	EXISTING FENCE
□	PROPOSED CATCHBASIN	---	EXISTING ROAD SIGNAGE
□	PROPOSED LANDSCAPE DRAIN		
□	PROPOSED AREA DRAIN		
□	PROPOSED TRENCH DRAIN		
▼	PROPOSED BUILDING ENTRANCE		
---	SWALE c/w SUBDRAIN AND DIRECTION OF FLOW		
---	TERRACING 3:1 SLOPE MAX (UNLESS OTHERWISE INDICATED)		

**EROSION AND SEDIMENT CONTROL NOTES:**

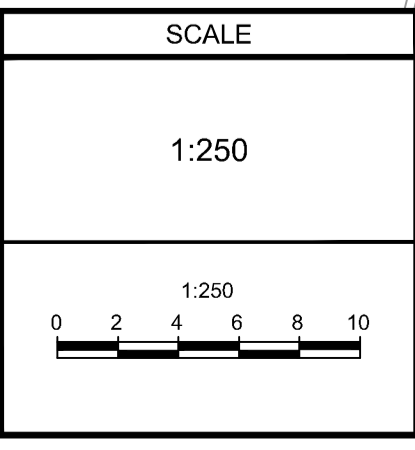
- THE CONTRACTOR SHALL IMPLEMENT BEST MANAGEMENT PRACTICES, TO PROVIDE FOR PROTECTION OF THE AREA DRAINAGE SYSTEM AND THE RECEIVING WATERCOURSE, DURING CONSTRUCTION ACTIVITIES. THE CONTRACTOR ACKNOWLEDGES THAT FAILURE TO IMPLEMENT APPROPRIATE EROSION AND SEDIMENT CONTROL MEASURES MAY BE SUBJECT TO PENALTIES IMPOSED BY ANY APPLICABLE REGULATORY AGENCY.
- 1) THE OWNER AGREES TO PREPARE AND IMPLEMENT AN EROSION AND SEDIMENT CONTROL PLAN TO THE SATISFACTION OF THE CITY OF OTTAWA, APPROPRIATE TO THE SITE CONDITIONS, PRIOR TO UNDERTAKING ANY SITE ALTERATIONS (FILLING, GRADING, REMOVAL OF VEGETATION, ETC.) AND DURING ALL PHASES OF SITE PREPARATION AND CONSTRUCTION IN ACCORDANCE WITH THE CURRENT BEST MANAGEMENT PRACTICES FOR EROSION AND SEDIMENT CONTROL. SUCH AS BUT NOT LIMITED TO INSTALLING FILTER CLOTHS ACROSS MANHOLE/CATCHBASIN LIDS TO PREVENT SEDIMENTS FROM ENTERING STRUCTURES AND INSTALL AND MAINTAIN A LIGHT DUTY SILT FENCE BARRIER AS REQUIRED.
  - 2) THE CONTRACTOR SHALL PLACE FILTER BAGS UNDER THE CATCHBASIN AND MANHOLE GRATES FOR THE DURATION OF CONSTRUCTION AND WILL REMAIN IN PLACE DURING ALL PHASES OF CONSTRUCTION.
  - 3) SILT FENCING FOR ENTIRE PERIMETER OF SITE, SHALL BE UTILIZED TO CONTROL EROSION FROM THE SITE DURING CONSTRUCTION.
  - 4) THE CONTRACTOR ACKNOWLEDGES THAT FAILURE TO IMPLEMENT EROSION AND SEDIMENT CONTROL MEASURES MAY BE SUBJECT TO PENALTIES IMPOSED BY ANY APPLICABLE REGULATORY AGENCY.
  - 5) PROVIDE MUD MATS AT ALL CONSTRUCTION ACCESS POINTS TO MINIMIZE SEDIMENT TRANSPORT OFFSITE.
  - 6) EROSION AND SEDIMENT CONTROL MEASURES MAY BE MODIFIED IN THE FIELD AT THE DISCRETION OF THE CITY OF OTTAWA SITE INSPECTOR OR CONSERVATION AUTHORITY.



**NOTE:**  
THE POSITION OF ALL POLE LINES, CONDUITS, WATERMANS, SEWERS AND OTHER UNDERGROUND AND OVERGROUND UTILITIES AND STRUCTURES IS NOT NECESSARILY SHOWN ON THE CONTRACT DRAWINGS, AND WHERE SHOWN, THE ACCURACY OF THE POSITION OF SUCH UTILITIES AND STRUCTURES IS NOT GUARANTEED. BEFORE STARTING WORK, DETERMINE THE EXACT LOCATION OF ALL SUCH UTILITIES AND STRUCTURES AND ASSUME ALL LIABILITY FOR DAMAGE TO THEM.

**NOT FOR CONSTRUCTION**

No.	REVISION	DATE	BY
1.	ISSUED FOR SPA	APR 26/23	GJM



**FOR REVIEW ONLY**

DESIGN: ARM  
 CHECKED: GJM  
 DRAWN: ARM  
 CHECKED: GJM  
 APPROVED: GJM

**PROFESSIONAL ENGINEER**  
 A.R. MESTWAP  
 108201604  
 APR 26, 2023  
 PROVINCE OF ONTARIO

**PROFESSIONAL ENGINEER**  
 G.J. McDONALD  
 101-26-2023  
 PROVINCE OF ONTARIO

**NOVATECH**  
 Engineers, Planners & Landscape Architects  
 Suite 200, 240 Michael Cowpland Drive  
 Ottawa, Ontario, Canada K2M 1P6  
 Telephone: (613) 254-9643  
 Facsimile: (613) 254-5867  
 Website: www.novatech-eng.com

LOCATION: CITY OF OTTAWA  
 3080 NAVAN ROAD (RHYTHM APARTMENTS)

DRAWING NAME: EROSION AND SEDIMENT CONTROL PLAN

PROJECT No.: 122180  
 REV: REV # 1  
 DRAWING No.: 122180-ESC