

PROJECT STATUS:
 ISSUED FOR SITE PLAN CONTROL

Revision Schedule

| No. | Description | Revision Date |
|-----|----------------|---------------|
| A | ISSUED FOR SPC | 04/26/2023 |

SEAL: **ABELEARCHITECTURE**
 THOMAS C. ABELE, ARCHITECT OAA, T. 604.662-6918

TRADE CONTRACTORS SHALL VERIFY ALL DIMENSIONS AND REPORT ANY DISCREPANCIES OR INCONSISTENCIES TO SEYMOUR PACIFIC DEVELOPMENTS LTD., WITHOUT DELAY. FOR CLARIFICATION AND/OR CONFIRMATION, DO NOT SCALE DRAWINGS. DESIGNS REPRESENTED AND DRAWINGS USED AS INSTRUMENTS OF SERVICE SHALL REMAIN THE COPYRIGHT AND PROPERTY OF SEYMOUR PACIFIC DEVELOPMENTS LTD. ANY REPRODUCTION OR USE FOR ANY PURPOSE OTHER THAN THAT AUTHORIZED BY SEYMOUR PACIFIC DEVELOPMENTS LTD. IS PROHIBITED.

CONTRACTORS SHALL REMAIN FAMILIAR WITH, SHALL REFER TO, AND SHALL PERFORM IN ACCORDANCE WITH LOCAL LAWS, REGULATIONS AND BUILDING CODES. CONTRACTORS SHALL MAINTAIN GOOD INDUSTRY BUILDING AND SAFETY PRACTICES CONSISTENT WITH THE CONTRACT INTENT AND THE REQUIREMENTS OF JURISDICTIONAL AUTHORITIES.

ADDITIONAL CLAIMS AND COSTS RELATED TO NON-MATERIAL CHANGES WILL NOT BE ACCEPTED BY SEYMOUR PACIFIC DEVELOPMENTS LTD. NON-MATERIAL CHANGES ARE DEEMED TO BE PLAN CHANGES OR SPECIFICATION ADJUSTMENTS THAT DO NOT SUBSTANTIALLY AFFECT THE VALUE, TIME, COST AND QUALITY OF CONSTRUCTION.

CONTRACTORS SHALL MAKE EVERY REASONABLE EFFORT TO MAINTAIN SCHEDULE TARGETS AND PROVIDE GOOD EFFICIENCY, PROGRESS, WORKMANSHIP AND QUALITY TOWARD DEFICIENCY-FREE RESULTS.

PROJECT NAME:
 RHYTHM APARTMENTS

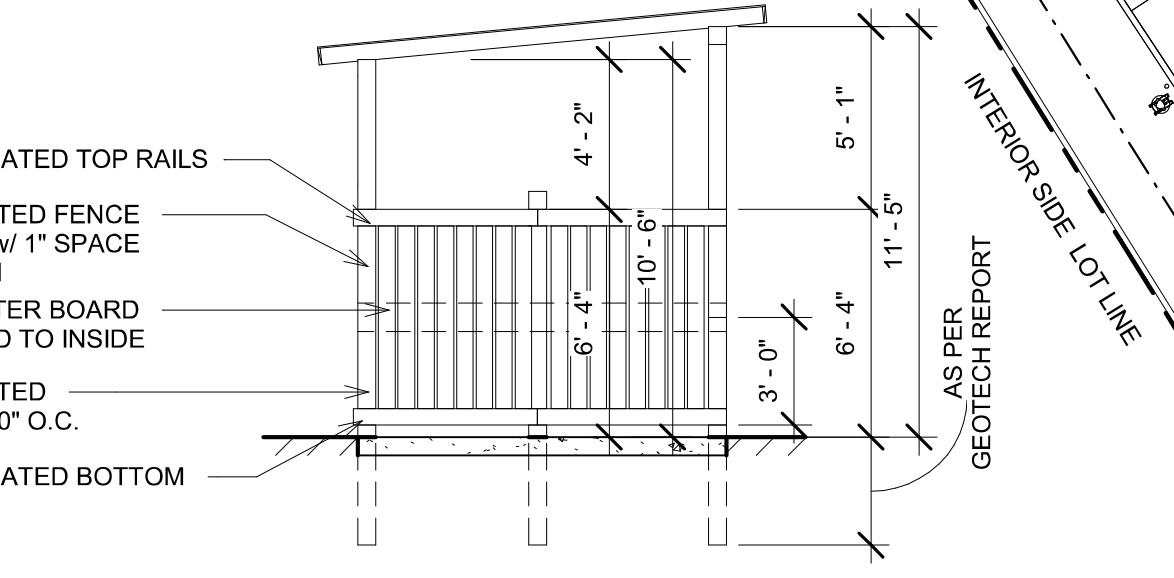
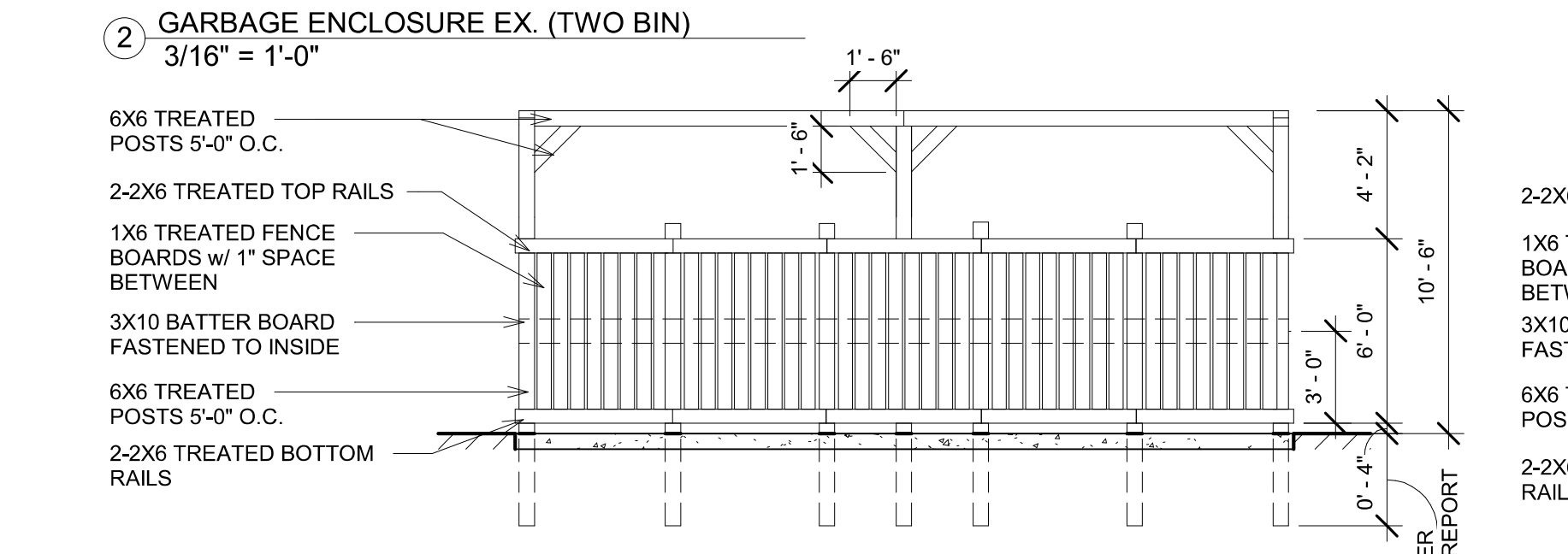
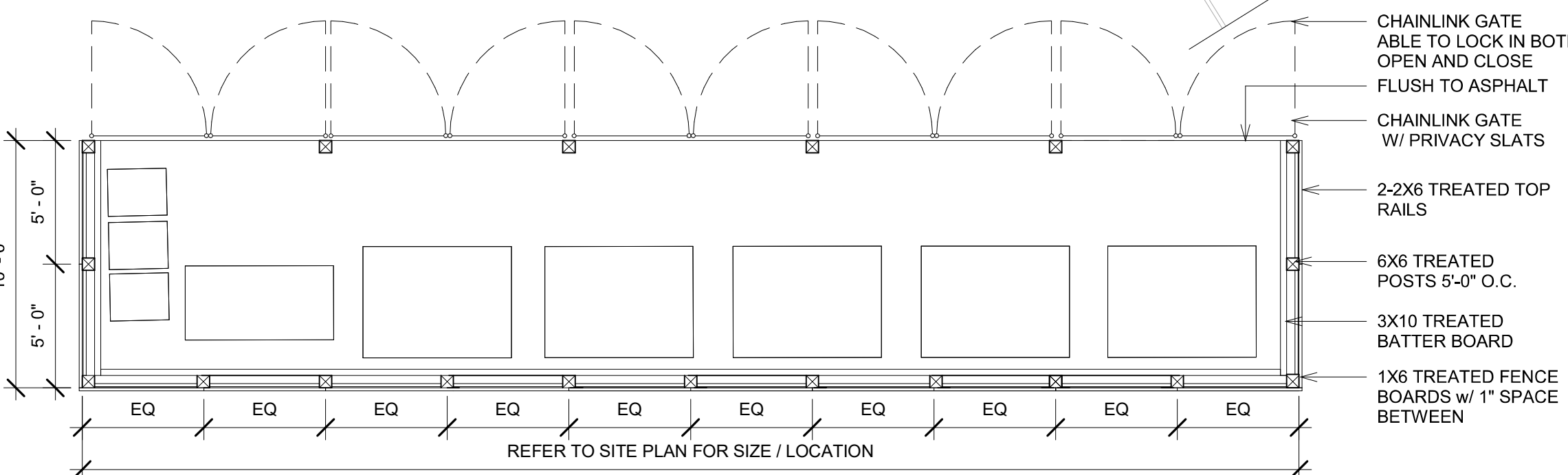
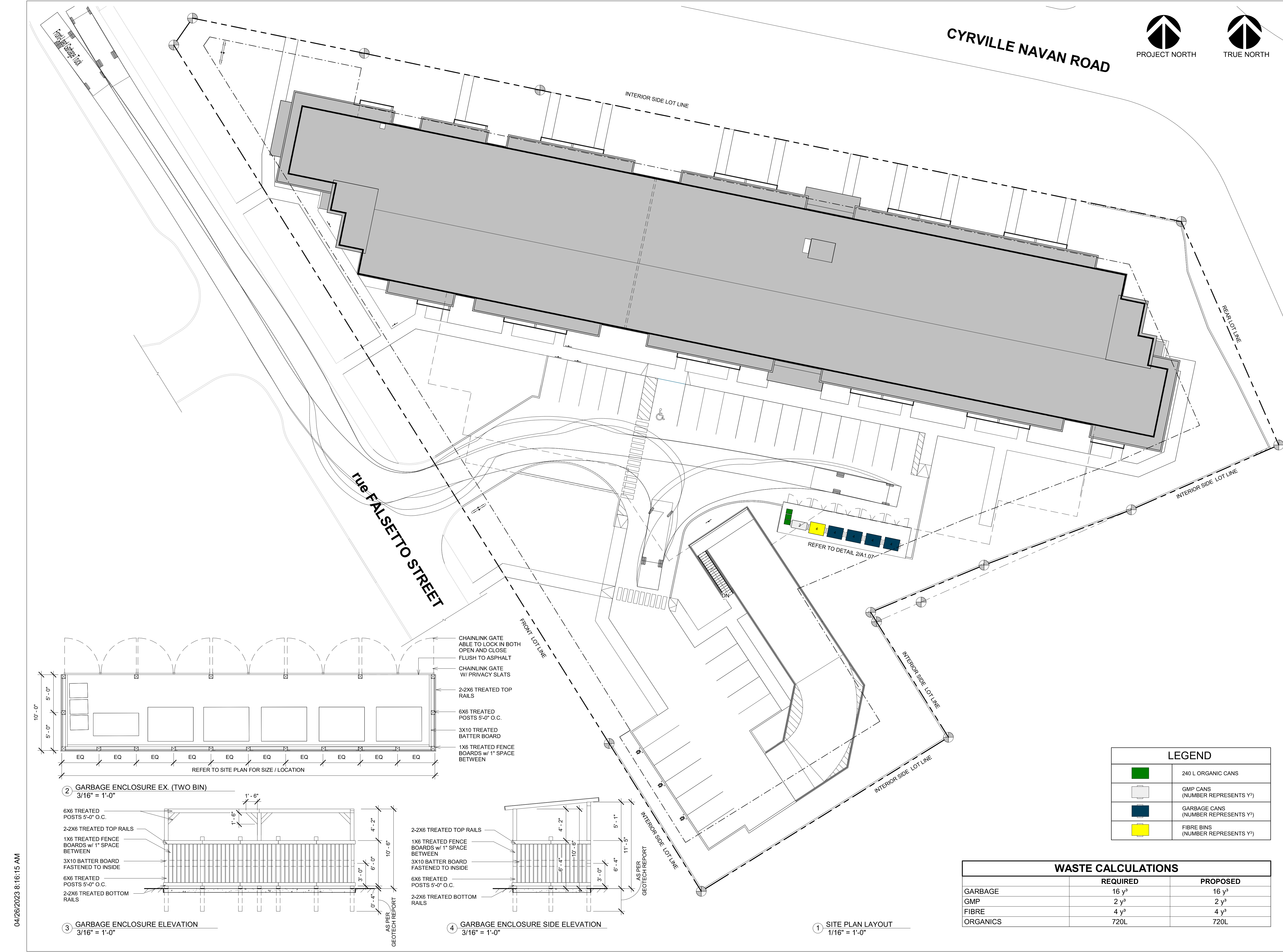
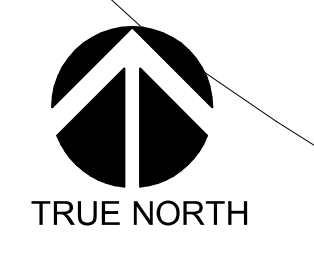
PROJECT NUMBER:
 VP 2211

ADDRESS:
 3080 NAVAN ROAD, OTTAWA

DRAWING TITLE:
 WASTE + RECYCLING PLAN

DRAWN BY: PD
 CHECKED BY: RF
 DATE: APR 26 2023
 SCALE: As indicated
 DRAWING #: **A1.07** REV #:

CYRVILLE NAVAN ROAD



LEGEND

| | |
|---------------------------------------|--|
| ■ | 240 L ORGANIC CANS |
| ■ | GMP CANS (NUMBER REPRESENTS Y ³) |
| ■ | GARBAGE CANS (NUMBER REPRESENTS Y ³) |
| ■ | FIBRE BINS (NUMBER REPRESENTS Y ³) |

WASTE CALCULATIONS

| | REQUIRED | PROPOSED |
|----------|-------------------|-------------------|
| GARBAGE | 16 y ³ | 16 y ³ |
| GMP | 2 y ³ | 2 y ³ |
| FIBRE | 4 y ³ | 4 y ³ |
| ORGANICS | 720L | 720L |

2 GARBAGE ENCLOSURE EX. (TWO BIN)
 3/16" = 1'-0"

3 GARBAGE ENCLOSURE ELEVATION
 3/16" = 1'-0"

4 GARBAGE ENCLOSURE SIDE ELEVATION
 3/16" = 1'-0"

1 SITE PLAN LAYOUT
 1/16" = 1'-0"

04/26/2023 8:16:15 AM