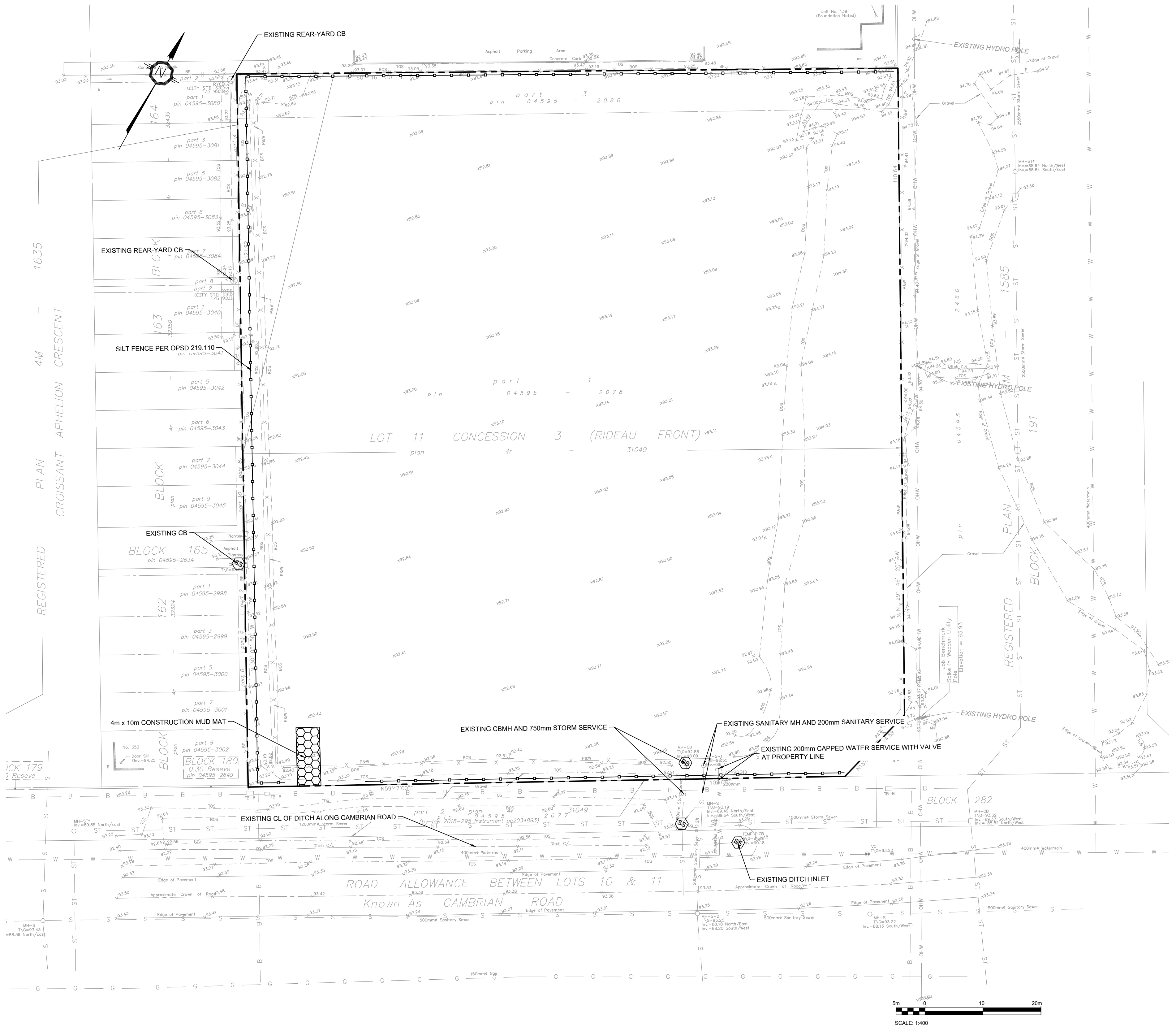


This drawing, as an instrument of service, is provided by and is the property of Turner Fleischer Architects Inc. The contractor must verify and accept responsibility for all dimensions and conditions on site and must notify Turner Fleischer Architects Inc. of any variations from the accepted information. This drawing is not to be used for any other project or for any other purpose without the written consent of Turner Fleischer Architects Inc. The contractor must confirm to all applicable codes and requirements of authorities having jurisdiction. The contractor working from drawings not specifically marked "For Contractor" must assume full responsibility and bear costs for any corrections or damages resulting from his work.



### TOPOGRAPHIC INFORMATION & BENCHMARK

SURVEY COMPLETED BY ANNIS, O'SULLIVAN, VOLLEBEKK LTD. ON OCTOBER 21, 2022. ELEVATIONS SHOWN ARE GEODETIC AND ARE REFERRED TO THE CANADIAN GEODETIC DATUM, DERIVED FROM CONTROL MONUMENT NO. 019680071 HAVING AN ELEVATION OF 99.742m.



### LEGEND:

- EXISTING PROPERTY LINE
- EXISTING WATERMAIN
- EXISTING V&B
- EXISTING VALVE CHAMBER
- EXISTING SANITARY SEWER AND MAINTENANCE HOLE
- EXISTING STORM SEWER AND MAINTENANCE HOLE
- EXISTING GRADE
- EXISTING OVERHEAD HYDRO
- EXISTING GAS
- EXISTING BELL
- 4m x 10m CONSTRUCTION MUD MAT
- PROPOSED SILT FENCE AS PER OPSD 219.110
- SILT SACK PER DETAIL D1

- #### EROSION AND SEDIMENT CONTROL MEASURES:
- CONTRACTOR IS RESPONSIBLE FOR ALL INSTALLATION, MONITORING, REPAIR AND REMOVAL OF ALL EROSION AND SEDIMENT CONTROL FEATURES. THE CONTRACTOR SHALL IMPLEMENT BEST MANAGEMENT PRACTICES TO PROVIDE PROTECTION OF THE AREA DRAINAGE SYSTEM AND THE RECEIVING WATERCOURSE DURING CONSTRUCTION ACTIVITIES. THE CONTRACTOR ACKNOWLEDGES THAT FAILURE TO IMPLEMENT APPROPRIATE EROSION AND SEDIMENT CONTROL MEASURES MAY BE SUBJECT TO PENALTIES IMPOSED BY ANY APPLICABLE REGULATORY AGENCY.
  - SEDIMENT AND EROSION CONTROL MEASURES SHALL BE INSTALLED AND MAINTAINED THROUGHOUT THE CONSTRUCTION PERIOD.
  - PREVENT SOIL EROSION. THIS CAN RESULT FROM STREAMING RAIN WATER OR WIND EROSION DURING CONSTRUCTION.
  - PREVENT SEDIMENT DEPOSITS IN THE SEWER PIPES AND NEARBY COLLECTING STREAMS (AS APPLICABLE).
  - PREVENT AIR POLLUTION FROM PARTICULATE MATTER AND DUST.
- #### 1. PRIOR TO START OF CONSTRUCTION:
- PRIOR TO THE REMOVAL OF ANY VEGETATIVE COVER, MOVING OF SOIL AND CONSTRUCTION:
    - INSTALL SILT FENCE (AS PER OPSD 219.110) ALONG DITCHES IMMEDIATELY DOWNSTREAM FROM AREAS TO BE DISTURBED (SEE PLAN FOR LOCATION).
    - INSTALL FILTER CLOTH ON DOWNSTREAM MANHOLE COVERS.
    - INSTALL SILTSACK FILTERS IN ALL CONCRETE CATCH BASIN STRUCTURES.
    - INSPECT MEASURES IMMEDIATELY AFTER INSTALLATION.
    - THE CONTRACTOR MUST SET UP THE MEASURES INDICATED ON THE PLAN. INSPECT THEM FREQUENTLY AND CLEAN AND REPAIR OR REPLACE THE DEGRADED STRUCTURES AT THE END OF THE CONSTRUCTION PERIOD. THE CONTRACTOR IS RESPONSIBLE FOR REMOVAL OF THE TEMPORARY STRUCTURES AND RECONDITIONING THE AFFECTED AREAS.
- #### 2. DURING CONSTRUCTION:
- SEDIMENT AND EROSION CONTROL MEASURES TO BE CONSTRUCTED AS PER OPS 605
  - WHEN SEDIMENT AND EROSION CONTROL MEASURES MUST BE REMOVED TO COMPLETE A PORTION OF THE WORK, THE SAME MEASURES MUST BE REINSTALLED UPON THE WORK'S COMPLETION.
  - WORK TO BE DONE IN THE VICINITY OF MAJOR WATERWAYS TO BE CARRIED OUT FROM JULY AND SEPTEMBER ONLY.
  - MINIMIZE THE EXTENT OF DISTURBED AREAS AND THE DURATION OF EXPOSURE.
  - PROTECT DISTURBED AREAS FROM RUNOFF.
  - PROVIDE TEMPORARY COVER SUCH AS SEEDING OR MULCHING IF DISTURBED AREA WILL NOT BE REHABILITATED SHORTLY.
  - INSPECT STRAW BALE FLOW CHECK DAMS, SILT FENCES, SILT SACKS, AND CATCH BASIN SUMPS REGULARLY AND AFTER EVERY MAJOR STORM EVENT. CLEAN AND REPAIR WHEN NECESSARY.
  - PLAN TO BE REVIEWED AND REVISED AS REQUIRED DURING CONSTRUCTION.
  - EROSION CONTROL FENCING TO BE ALSO INSTALLED AROUND THE BASE OF ALL STOCKPILES.
  - DO NOT LOCATE TOPSOIL PILES AND EXCAVATION MATERIAL CLOSER THAN 2.5m FROM ANY PAVED SURFACE, OR ONE WHICH IS TO BE PAVED BEFORE THE PILE IS REMOVED. ALL TOPSOIL PILES ARE TO BE SEEDED IF THEY ARE TO REMAIN ON SITE LONG ENOUGH FOR SEEDS TO GROW (LONGER THAN 30 DAYS). WHEN STORING SOIL ON SITE IN PILES THE CONTRACTOR MUST COVER EACH PILE WITH TARPS, STRAW OR A GEOTEXTILE FABRIC TO AVOID FINE PARTICLE TRANSPORT BY WIND AND/OR STREAMING RAIN WATER.
  - CONTROL WIND-BLOWN DUST OFF SITE TO ACCEPTABLE LEVELS BY SEEDING TOPSOIL PILES AND OTHER AREAS TEMPORARILY (PROVIDE WATERING AS REQUIRED). FOR DUST CONTROL, CONTRACTOR TO APPLY CALCIUM CHLORIDE (TYPE I - OPS 201 AND CANCOSB-15-1) AND WATER WITH EQUIPMENT APPROVED BY THE OWNER'S REPRESENTATIVE AT RATE IN ACCORDANCE TO OPS 506 WHEN DIRECTED BY OWNER'S REPRESENTATIVE.
  - ALL EROSION CONTROL STRUCTURE TO REMAIN IN PLACE UNTIL ALL DISTURBED GROUND SURFACES HAVE BEEN STABILIZED EITHER BY PAVING OR RESTORATION OF VEGETATIVE GROUND COVER. SEDIMENT CAPTURE SILT SACKS MUST BE MAINTAINED AND CANNOT BE REMOVED UNTIL ALL LANDSCAPING AREAS ARE COMPLETED.
  - NO ALTERNATE METHODS OF EROSION PROTECTION SHALL BE PERMITTED UNLESS APPROVED BY THIS CONSULTING ENGINEER AND THE TOWN DEPARTMENT OF PUBLIC WORKS.
  - CONTRACTOR RESPONSIBLE FOR MUNICIPAL ROADWAY AND SIDEWALK TO BE CLEANED OF ALL SEDIMENT FROM VEHICULAR TRACKING ETC. AT THE END OF EACH WORK DAY.
  - DURING WET CONDITIONS, TIRES OF ALL VEHICLES/EQUIPMENT LEAVING THE SITE ARE TO BE SCRAPED.
  - ANY ADDITIONAL TRACKING ONTO THE ROAD SHALL BE REMOVED IMMEDIATELY BY HAND OR RUBBER TIRE LOADER.
  - TAKE ALL NECESSARY STEPS TO PREVENT BUILDING MATERIAL, CONSTRUCTION DEBRIS OR WASTE BEING SPILLED OR TRACKED ONTO ADJACENT PROPERTIES OR PUBLIC STREETS DURING CONSTRUCTION AND PROCEED IMMEDIATELY TO CLEAN UP ANY AREAS SO AFFECTED.
  - PROVIDE GRAVEL ENTRANCE WHEREVER EQUIPMENT LEAVES THE SITE TO PROVIDE MUD TRACKING ONTO PAVED SURFACES. GRAVEL BED SHALL BE A MINIMUM OF 10m LONG, 4m WIDE, AND 3.15m DEEP AND SHALL CONSIST OF COARSE MATERIAL. MAINTAIN GRAVEL ENTRANCE IN CLEAN CONDITION.
- #### 3. AFTER CONSTRUCTION:
- PROVIDE PERMANENT COVER CONSISTING OF TOPSOIL AND SEED TO DISTURBED AREAS.
  - ALL SEDIMENT AND EROSION CONTROL MEASURES TO BE REMOVED BY THE CONTRACTOR FOLLOWING THE COMPLETION OF WORK AND AFTER DISTURBED AREAS HAVE BEEN REHABILITATED AND STABILIZED. THIS INCLUDES REMOVE STRAW BALE FLOW CHECK DAMS, SILT FENCES AND FILTER CLOTHS ON CATCH BASINS AND MANHOLE COVERS.
  - INSPECT AND CLEAN CATCH BASIN SUMPS AND STORM SEWERS.

2	2023-10-20	RE-ISSUED FOR SPA	BY
1	2023-04-26	ISSUED FOR SPA	BY
#	DATE	DESCRIPTION	BY



PROJECT NO. **3850 CAMBRIAN RD**  
 BARRHAVEN, ONTARIO

### EROSION/SEDIMENT CONTROL & EXISTING CONDITIONS PLAN

PROJECT NO.	478356
PROJECT DATE	2022-08-19
DRAWN BY	BY
CHECKED BY	MT
SCALE	As indicated



DRAWING NO. **C101** REV.

### TOPOGRAPHIC INFORMATION & BENCHMARK

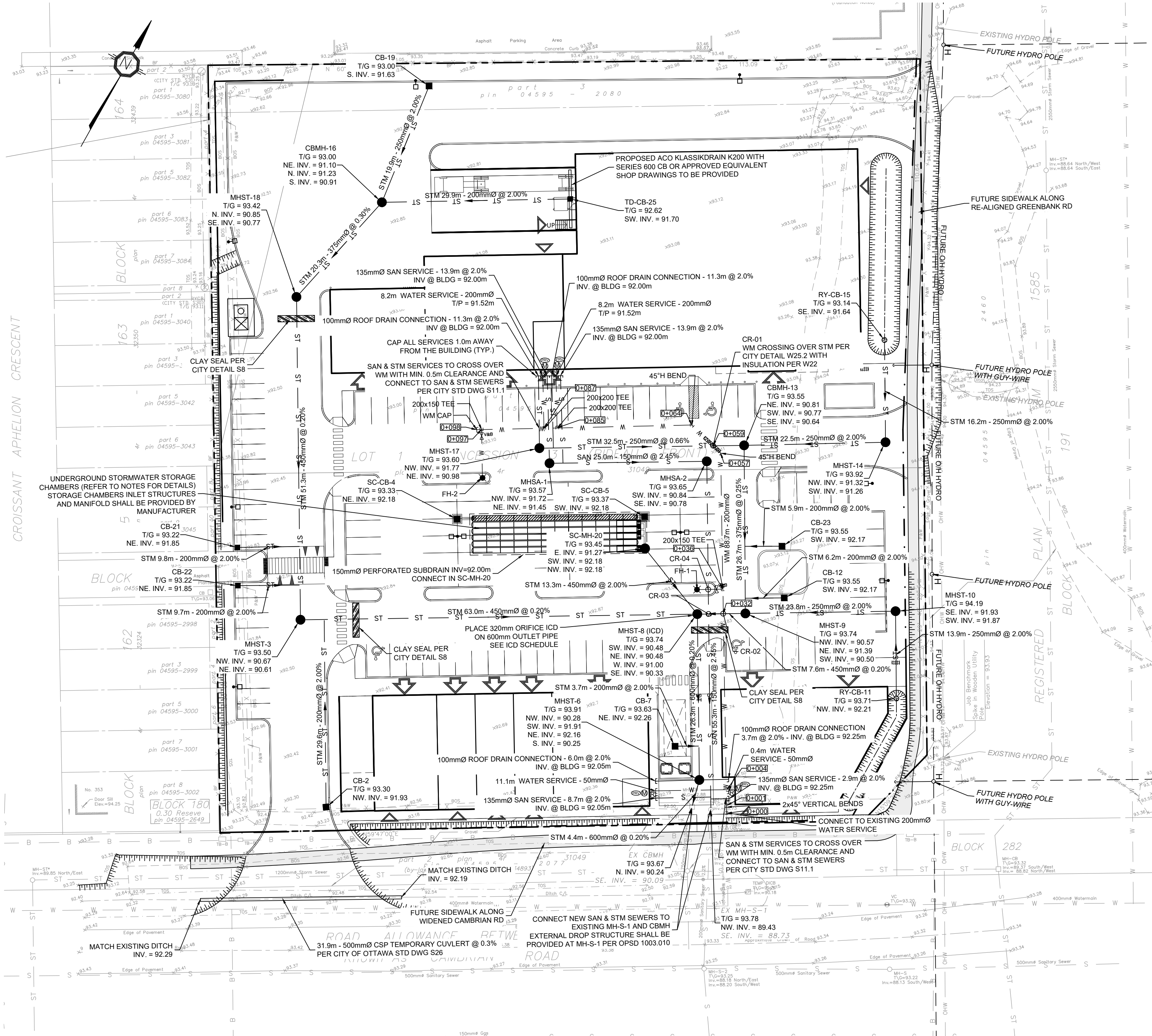
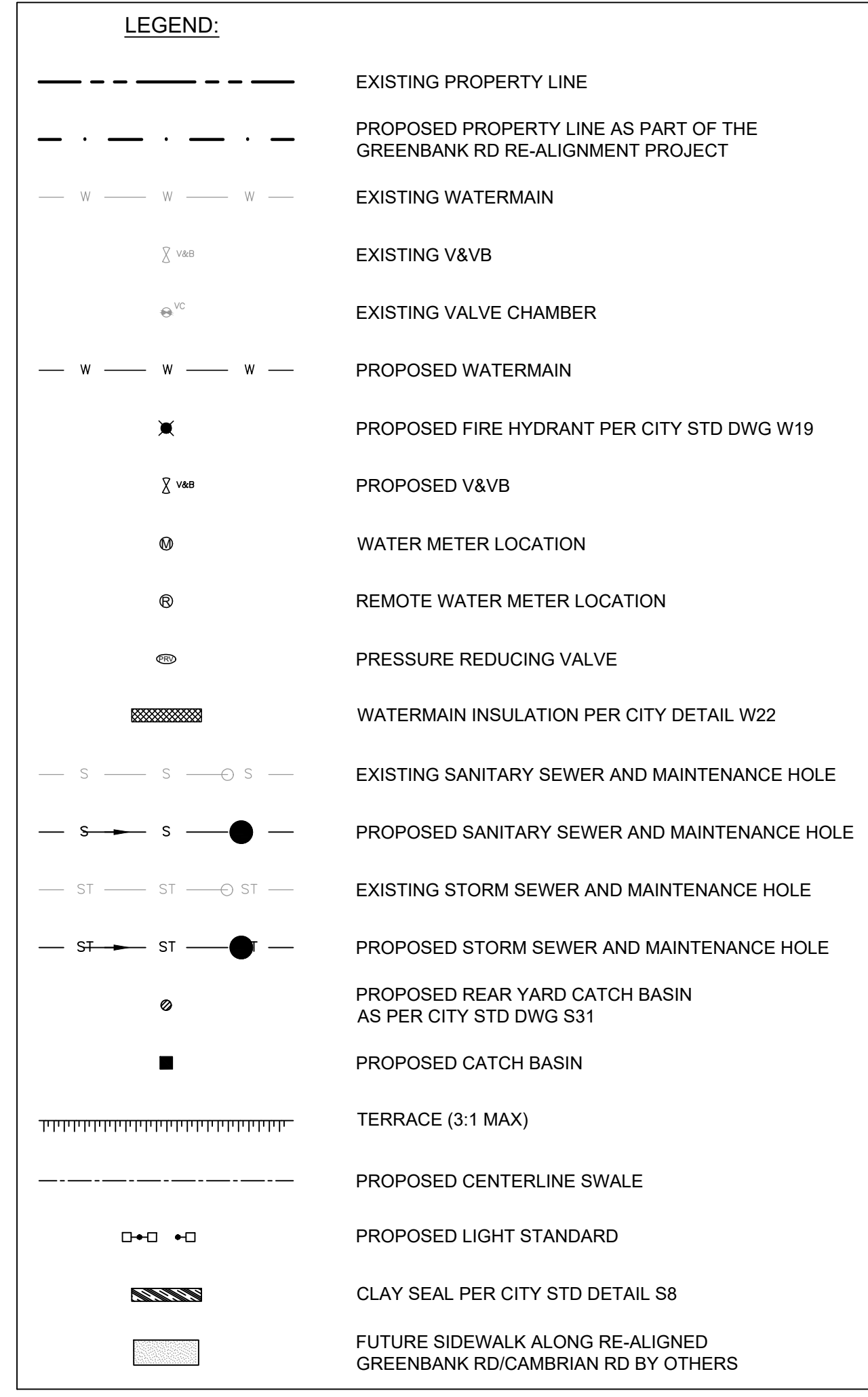
SURVEY COMPLETED BY ANNIS, O'SULLIVAN, VOLLEBEKK LTD. ON OCTOBER 21, 2022. ELEVATIONS SHOWN ARE GEODETIC AND ARE REFERRED TO THE CANADIAN GEODETIC DATUM, DERIVED FROM CONTROL MONUMENT NO. 019680071 HAVING AN ELEVATION OF 99.742m.

### NOTES: WATERMAIN

- ALL WATERMAIN TO BE INSTALLED AT MINIMUM COVER OF 2.4m BELOW FINISHED GRADE. WHERE THE MINIMUM COVER OF 2.4m IS NOT REACHED, THERMAL INSULATION IS REQUIRED AS PER CITY OF OTTAWA DETAIL W22.
- WATERMAIN PIPE MATERIALS TO BE CLASS PVC DR-18, OR APPROVED EQUIVALENT, UNLESS INDICATED OTHERWISE.
- WATERMAIN TO BE CONSTRUCTED AS PER OPSS 441 AND OPSS 802.010. WATERMAIN BEDDING AND COVER MATERIAL TO BE OPSS 1010 GRANULAR 'A' CRUSHER-RUN LIMESTONE COMPACTED TO 95% SPMD.
- A CONTINUOUS 12 GAUGE COPPER TRACER WIRE MUST BE INSTALLED OVER ALL WATERMANS. TRACER WIRE SHALL BE TIED TO ALL FIRE HYDRANTS.
- INSTALLATION OF A WATERMAIN PIPE CROSSING A SEWER PIPE SHALL BE AS PER CITY OF OTTAWA DETAILS W25 AND W25.2.
- IF WATERMAIN PIPE MUST BE DEFLECTED TO MEET ALIGNMENT, ENSURE THAT THE AMOUNT OF DEFLECTION USED IS LESS THAN HALF THAT RECOMMENDED BY THE MANUFACTURER.
- CATHODIC PROTECTION REQUIRED FOR ALL IRON FITTINGS AS PER OPSS 1109.011.
- THRUST BLOCKS AND RESTRAINING AS PER OPSS 1103.010 AND OPSS 1103.020.
- HYDRANT INSTALLATION AS PER OPSS 1105.010 AND OPSS 441. HYDRANT TO COMPLY WITH AWWA C502.
  - HYDRANTS MUST HAVE THREE EXITS (TWO 65.5 mm AND ONE 100.0 mm 'STORZ' OF STAINLESS STEEL) WITHOUT DRAIN. FIRE HYDRANTS MUST BE INSTALLED SUCH THAT THE 'STORZ' EXIT POINTS TOWARDS THE BUILDING IT WILL SERVICE. THE CONTRACTOR MUST ENSURE THAT THE BREAKAWAY FLANGE IS LOCATED ABOVE THE FINISHED GRADE (APPROXIMATELY 150 mm).
  - FIRE FLOW TESTS FOLLOWED BY COLOUR CODING OF HYDRANTS (AS PER NFPA-291) SHALL BE CARRIED OUT PRIOR TO SUBSTANTIAL COMPLETION OF THE WORK.
- WATERMAIN AND HYDRANT CONTROL VALVES IN THE 100 - 300 mm RANGE WILL BE RESILIENT SEATING GATE VALVES (AWWA C509) WITH MECHANICAL JOINT CONNECTIONS. VALVES WILL OPERATE COUNTER-CLOCKWISE TO OPEN WITH A NON-RISING STEM. VALVES WILL BE COMPLETE WITH THE STANDARD AWWA 50 mm OPERATING NUT. VALVES TO BE INSTALLED AS PER OPSS 441.
- PIPE FITTINGS (BENDS, TEES, CROSSES, REDUCERS, ETC.) WILL BE MECHANICAL JOINT (AWWA C-111) WITH CEMENT MORTAR LINING (AWWA C-104).
- INSTALLATION OF WATERMANS MUST BE COMPRESSION TYPE WITH MINIMUM PRESSURE RATING OF 1035 kPa. COUPLERS MUST BE MUELLER 11-12940.
- VALVE BOXES MUST BE COMPLETE (FULLY METALLIC) 3 PIECE SLIDING TYPE WITH GUIDE PLATES.
- WATERMANS MUST BE THOROUGHLY FLUSHED AND CLEANED TO REMOVE ALL DIRT AND DEBRIS PRIOR TO THE DISINFECTION PROCESS.
- ALL WATERMANS SHALL BE HYDROSTATICALLY AND BACTERIOLOGICALLY TESTED AS PER PROVINCIAL AND MUNICIPAL REGULATIONS. IT IS THE CONTRACTOR'S RESPONSIBILITY TO ENSURE THAT ALL REQUIREMENTS ARE FOLLOWED.
- THE DISINFECTION PROCEDURE WHICH FOLLOWS INITIAL FLUSHING AND CLEANING CONSISTS OF CHLORINATION, FINAL FLUSHING AND BACTERIOLOGICAL TESTING. DISINFECTION MUST BE PERFORMED BY THE CONTRACTOR USING METHODS APPROVED BY THE CITY AND IN ACCORDANCE WITH MINISTRY OF ENVIRONMENT AND CLIMATE CHANGE GUIDELINES. DOSAGE MUST BE 100 ppm WITH A MINIMUM RESIDUAL OF 25 ppm AFTER 24 HOURS. DISINFECTANT MUST BE SUPPLIED BY THE CONTRACTOR AND MUST BE APPROVED. TESTING AND TEST RESULTS MUST BE WITNESSED BY CITY PERSONNEL.
- ALL DISINFECTANT WATER IS TO BE REMOVED FROM THE NEW WATERMANS AND REPLACED WITH DISTRIBUTION SYSTEM WATER PRIOR TO PRESSURE TESTING OF THE WATERMAIN.
- PRESSURE TESTING OF ALL WATERMANS AND APPURTENANCES INSTALLED BY THE CONTRACTOR MUST BE PERFORMED BY THE CONTRACTOR USING METHODS MEETING THE APPROVAL OF THE CITY. TESTING AND RESULTS MUST BE WITNESSED BY CITY PERSONNEL.
- MAINS AND SERVICES MUST BE PRESSURE TESTED AT 1035 kPa (150 psi) IN ACCORDANCE WITH AWWA C-600-82 (MINIMUM REQUIREMENT).
- LEAKAGE TESTS MUST BE CONDUCTED AS PER AWWA C-600-82 (MINIMUM REQUIREMENT).
- ONCE THE DISINFECTION AND PRESSURE TESTING RESULTS HAVE BEEN APPROVED, THE CONTRACTOR MUST ENSURE THAT ALL WATERMAIN PIPES ARE FLUSHED UNTIL THE CHLORINE LEVEL IN THE WATER IS SIMILAR TO THE LEVEL OF CHLORINE IN THE MUNICIPAL WATERMAIN NETWORK IN THE AREA.
- BACTERIOLOGICAL TESTING MUST CONSIST OF TWO SAMPLINGS TWENTY FOUR HOURS APART. IF BACTERIOLOGICAL SAMPLES ARE SATISFACTORY THE WATERMAIN MAY BE PLACED ON LINE.
- ALL WATERMAIN VALVES TO BE OPERATED BY THE CITY OF OTTAWA ONLY.

### NOTES: SEWER

- CONTRACTOR TO CONFIRM ELEVATION OF EXISTING STORM AND SANITARY SEWERS AT PROPOSED CONNECTION POINTS AND REPORT ANY DISCREPANCIES TO THE ENGINEER BEFORE COMMENCING ANY WORK.
- ALL WORK SHALL BE PERFORMED, AS APPLICABLE IN ACCORDANCE WITH OPSS 407, 408 AND 410.
- ALL STORM AND SANITARY SEWERS INSTALLED BELOW THE GROUNDWATER TABLE ELEVATION (82.0m) SHALL BE WATERTIGHT AND INFILTRATION TESTS SHALL BE CARRIED OUT ACCORDING TO OPSS MUNI 410.
- CLAY SEALS SHALL BE ACCORDING CITY OF OTTAWA STD DETAIL S8 AND EXTENDED AT LEAST 1.0m ABOVE THE GROUNDWATER TABLE ELEVATION.
- PIPE MATERIAL TO BE PVC SDR-35 AND CONFORMING TO OPSS 1841, UNLESS INDICATED OTHERWISE. PVC SEWERS TO BE INSTALLED PER OPSS 802.010 (MODIFIED). BEDDING AND COVER MATERIALS TO BE OPSS 1010 GRANULAR 'A' CRUSHER-RUN LIMESTONE BEDDING COMPACTED TO 95% SPMD.
- ALL SEWERS WITH LESS THAN 1.5 METERS OF COVER ARE SUBJECT TO INSULATION PER CITY OF OTTAWA STD DETAIL S35.
- PIPE BACKFILL MATERIAL TO BE APPROVED NATIVE MATERIAL OR SELECT SUBGRADE MATERIAL IN CONFORMANCE WITH OPSS 212.
- ALL MAINTENANCE HOLES AND CATCH BASIN MAINTENANCE HOLES TO BE 1200mmØ AS PER OPSS 701.010, UNLESS INDICATED OTHERWISE. MAINTENANCE HOLES AND CATCH BASIN MAINTENANCE HOLES TO BE INSTALLED PER OPSS 407.
- ALL CATCH BASINS TO BE 600x600mm AS PER OPSS 705.010, UNLESS INDICATED OTHERWISE. CATCH BASINS TO BE INSTALLED PER OPSS 407.
- EXCAVATING, BACKFILLING, AND COMPACTING REQUIRED FOR MAINTENANCE HOLES. CATCH BASIN MAINTENANCE HOLES, AND CATCH BASINS TO BE COMPLETED AS PER OPSS 402. THEY ARE TO BE BACKFILLED WITH OPSS GRANULAR 'B' COMPACTED TO 95% SPMD. JOINTS BETWEEN SECTIONS TO BE WRAPPED WITH NON-WOVEN GEOTEXTILE.
- FOR SANITARY STRUCTURES: CAST IRON MAINTENANCE HOLE COVER AS PER OPSS 401.010 TYPE 'A'.
- FOR STORM STRUCTURES: CAST IRON CATCH BASIN MAINTENANCE HOLE COVER AS PER OPSS 401.010 TYPE 'B' AND CAST IRON CATCH BASIN COVER AS PER OPSS 400.020.
- SANITARY MAINTENANCE HOLES REQUIRE BENCHING AS PER OPSS 701.021.
- THE CONTRACTOR IS RESPONSIBLE FOR MAKING OR ARRANGING ALL CONNECTIONS TO THE EXISTING SEWERS AS PER MUNICIPAL REQUIREMENTS. PRIOR TO CONNECTION, THE CONTRACTOR MUST PROVIDE, TO THE CONSULTANT / ENGINEER AND THE CITY FOR APPROVAL, ALL TEST RESULTS PERFORMED ON THE INTERNAL SERVICES.
- ADVISE THE CITY PUBLIC WORKS AT LEAST 72 HOURS IN ADVANCE BEFORE ANY CONNECTION TO THE CITY SERVICES. CO-ORDINATE WITH CITY AS REQUIRED.
- TERMINATE AND PLUG ALL SERVICE CONNECTIONS AT 1.0 m FROM EDGE OF THE BUILDING.
- ALL SEWERS TO BE C.C.T.V. INSPECTED BY THE CONTRACTOR AS PER OPSS 409. TWO COPIES OF THE INSPECTION REPORT MUST BE PROVIDED TO THE CONSULTANT AND THE C.C.T.V. INSPECTION IN DVD FORMAT ONLY.



### ICD SCHEDULE

ICD ID	LOCATION	ORIFICE INVERT (m)	FLOW 100y (L/s)	HEAD 100y (m)	EQUIVALENT DIAMETER (mm)	MODEL*
1	MHST-8	90.33	287.6	2.08	320	SEE D2 ON DWG C104

\*ICD SHOP DRAWINGS SHALL BE SUBMITTED TO PARSONS BEFORE COMMENCING ANY WORK

### NOTES: UNDERGROUND STORMWATER STORAGE

- UNDERGROUND STORMWATER STORAGE SYSTEM CHAMBER TYPE OR EQUIVALENT STORAGE REQUIREMENT: 70.0m³
- CHAMBER TYPE: STORMTECH SC-310 OR EQUIVALENT
- BOTTOM GRANULAR PAD ELEVATION & PERFORATED SUBDRAIN INVERT: 92.00m.
- BOTTOM OF CHAMBER ELEVATION: 92.15
- TOP OF CHAMBER ELEVATION: 92.56m.
- TOP OF SYSTEM TO BE A MINIMUM OF 450mm BELOW PARKING LOT PAVEMENT

### WATERMAIN TABLE

STATION	SURFACE ELEVATION	W/M DEPTH	TOP OF W/M ELEV.	INV. OF W/M ELEV.	NOTES
0+000	94.10	3.79m	90.31	90.11	CONNECTION TO EXISTING WATERMAIN
0+001	94.10	2.40m	91.70	91.50	2 x 45° VERTICAL BENDS
0+004	94.05	2.40m	91.65	91.45	2 x 50mm WATER SERVICE CONNECTIONS
0+032	93.80	2.40m	91.40	91.20	CR-02 REFER TO CROSSING TABLE
0+036	93.70	2.40m	91.30	91.10	200x150 TEE FOR FIRE HYDRANT LATERAL, CR-04 REFER TO CROSSING TABLE
0+057	93.60	2.40m	91.20	91.00	45° HORIZONTAL BEND
0+059	93.60	2.13m	91.47	91.27	CR-01 REFER TO CROSSING TABLE AND NOTE ON PLAN
0+064	93.60	2.40m	91.20	91.00	45° HORIZONTAL BEND
0+085	93.60	2.40m	91.20	91.00	200x200 TEE, 200mm WATER SERVICE CONNECTION
0+087	93.60	2.40m	91.20	91.00	200x200 TEE, 200mm WATER SERVICE CONNECTION
0+097	93.60	2.40m	91.20	91.00	200x150 TEE FOR FIRE HYDRANT LATERAL
0+098	93.60	2.40m	91.20	91.00	WATER CAP WITH CONCRETE THRUST BLOCK

### CROSSING TABLE

CROSSING No.	PIPE ELEV. AT CROSSING	PIPE ELEV. AT CROSSING	CLEARANCE
CR-01	STM, TOP, 91.02	WM, INV. 91.27	0.25m
CR-02	STM, TOP, 90.95	WM, INV. 91.20	0.25m
CR-03	SAN, TOP, 90.34	STM, INV. 90.49	0.15m
CR-04	SAN, TOP, 90.43	FH LAT., INV. 91.30	0.87m

PROJECT: **3850 CAMBRIAN RD**

BARRHAVEN, ONTARIO

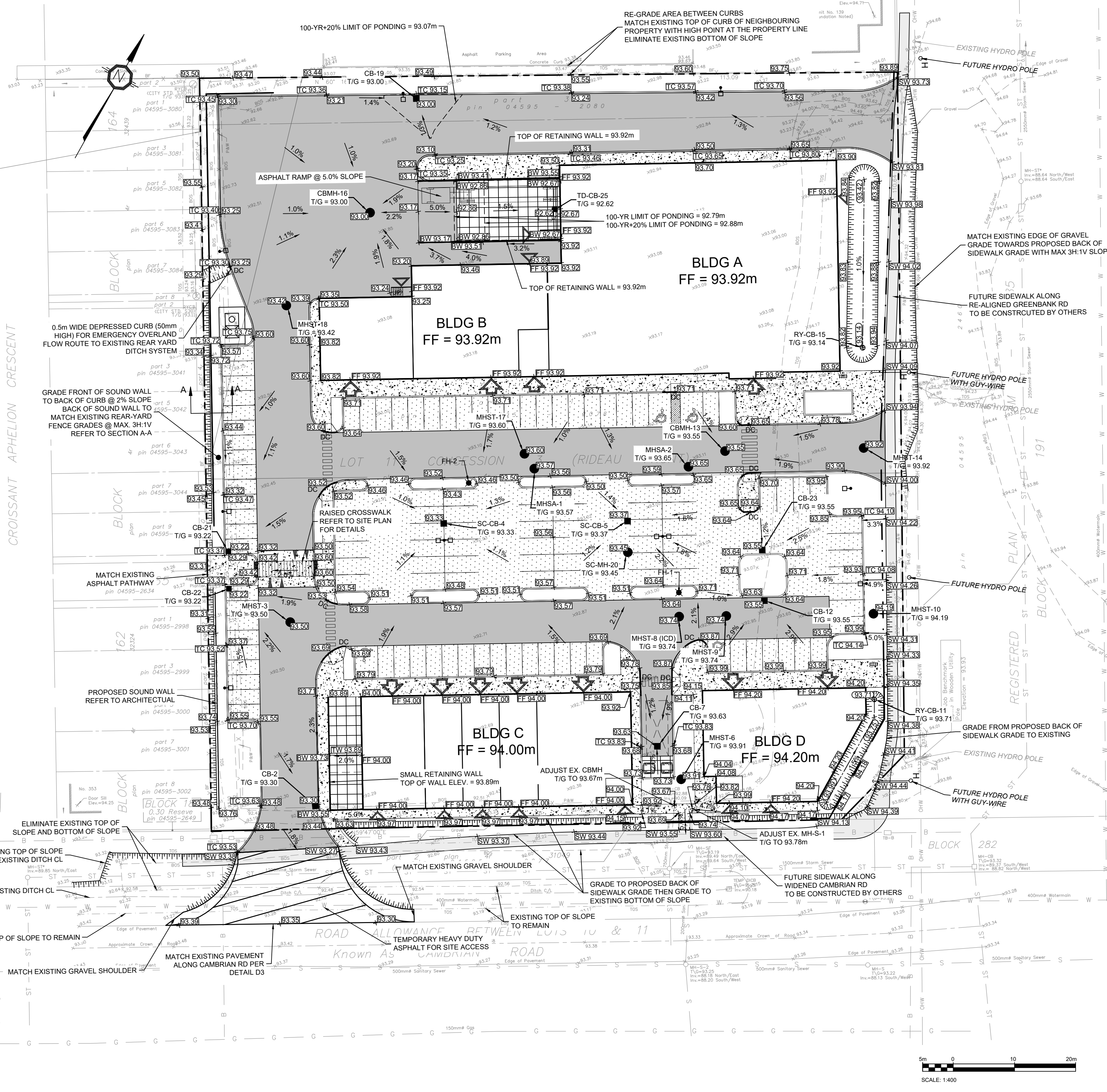
### SITE SERVICING PLAN

PROJECT NO.	478356	ISSUED FOR SPA	BY
PROJECT DATE	2022-08-19	ISSUED FOR SPA	BY
DRAWN BY	BY	DESCRIPTION	BY
CHECKED BY	MT		
SCALE	As indicated		



### TOPOGRAPHIC INFORMATION & BENCHMARK

SURVEY COMPLETED BY ANNIS, O'SULLIVAN, VOLLEBEKK LTD. ON OCTOBER 21, 2022. ELEVATIONS SHOWN ARE GEODETIC AND ARE REFERRED TO THE GVD2013 GEODETIC DATUM, DERIVED FROM CONTROL MONUMENT NO. 019680071 HAVING AN ELEVATION OF 99.742m.



### LEGEND:

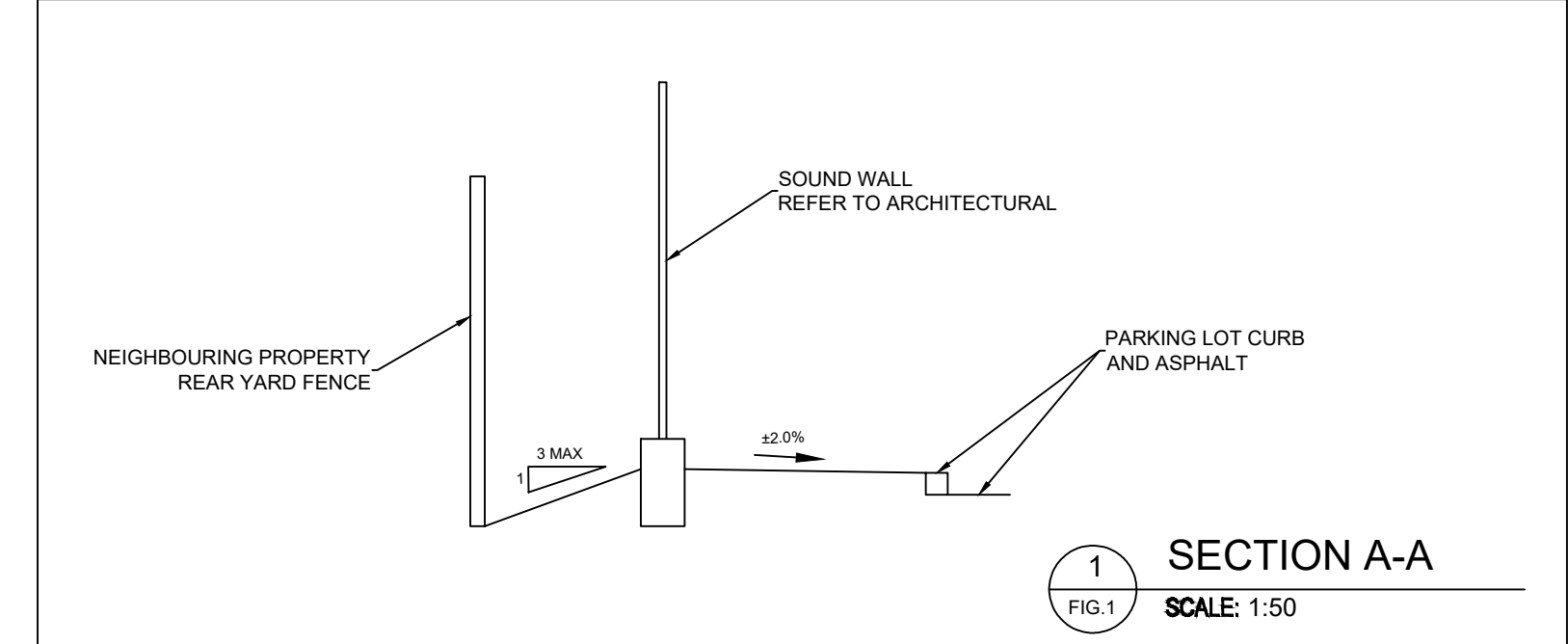
	EXISTING PROPERTY LINE		PROPOSED LIGHT DUTY PAVEMENT
	PROPOSED PROPERTY LINE AS PART OF THE GREENBANK RD RE-ALIGNMENT PROJECT		PROPOSED HEAVY DUTY PAVEMENT
	PROPOSED DITCH/SWALE CENTERLINE		PROPOSED TEMPORARY HEAVY DUTY PAVEMENT
	TERRACE (3:1 MAX)		PROPOSED CONCRETE SIDEWALK
	EXISTING GRADE		PROPOSED CONCRETE STRUCTURAL SLAB PER STRUCTURAL
	PROPOSED GRADE		FUTURE SIDEWALK ALONG RE-ALIGNED GREENBANK RD/CAMBRIAN RD BY OTHERS
	PROPOSED TOP OF WALL GRADE		PROPOSED CONCRETE CURB
	PROPOSED BOTTOM OF WALL GRADE		PROPOSED DEPRESSED CONCRETE CURB WITH TWS PER CITY STD DWG SC7.3
	PROPOSED FINISHED FLOOR ELEVATION		PROPOSED LIGHT STANDARD
	PROPOSED TOP OF CURB ELEVATION		
	PROPOSED CENTRELINE OF DITCH/SWALE GRADE		
	PROPOSED SLOPE DIRECTION AND PERCENTAGE		
	PROPOSED STORM MAINTENANCE HOLE		
	PROPOSED SANITARY MAINTENANCE HOLE		
	PROPOSED CATCH BASIN		
	PROPOSED REAR YARD CATCH BASIN AS PER CITY STD DWG S31		

### NOTES: GENERAL

- THE CONTRACTOR MUST CONFORM TO ALL LAWS, CODES, ORDINANCES, AND REGULATIONS ADOPTED BY FEDERAL, PROVINCIAL OR MUNICIPAL GOVERNMENT COUNCILS AND GOVERNMENT AGENCIES, APPLYING TO WORK TO BE CARRIED OUT, WHEREVER STANDARDS, LAWS AND/OR REGULATIONS ARE MENTIONED THEY REFER TO THEIR CURRENT VERSIONS, MODIFICATIONS INCLUDED.
- ALL MATERIALS AND CONSTRUCTION METHODS SHALL BE IN ACCORDANCE WITH THE LATEST EDITION OF THE ONTARIO PROVINCIAL STANDARD SPECIFICATIONS AND DRAWINGS (OPSS AND OPSD), THE ONTARIO MINISTRY OF ENVIRONMENT AND CLIMATE CHANGE, THE ONTARIO MINISTRY OF NATURAL RESOURCES, APPLICABLE CONSERVATION AUTHORITIES, THE MUNICIPAL STANDARD SPECIFICATIONS AND DRAWINGS, AND ALL OTHER GOVERNING AUTHORITIES AS THEY APPLY, UNLESS OTHERWISE INDICATED.
- ALL MATERIAL SUPPLIED AND PLACED FOR PARKING LOT AND ACCESS ROAD CONSTRUCTION SHALL BE TO OPSS STANDARDS AND SPECIFICATIONS UNLESS OTHERWISE NOTED. CONSTRUCTION TO OPSS 206, 310 & 314. MATERIALS TO OPSS 1001, 1003 & 1010.
- THE LOCATION OF EXISTING UNDERGROUND MUNICIPAL SERVICES AND PUBLIC UTILITIES AS SHOWN ON THE PLANS ARE APPROXIMATE. THE CONTRACTOR MUST DETERMINE THE EXACT LOCATION, SIZE, MATERIAL AND ELEVATION OF ALL EXISTING UTILITIES (ON-SITE AND OFF-SITE) PRIOR TO ANY EXCAVATION WORK. DAMAGE TO ANY EXISTING SERVICES AND/OR EXISTING UTILITIES DURING CONSTRUCTION, WHETHER OR NOT SHOWN ON THE DRAWINGS MUST BE REPAIRED BY THE CONTRACTOR AT HIS OWN EXPENSE.
- THE CONTRACTOR SHALL DETERMINE THE EXACT INVERT (GEODETIC ELEVATION), DIAMETER AND CONSTRUCTION MATERIAL OF THE EXISTING CONDUITS AT THE PROPOSED CONNECTIONS. THEY SHALL ALSO CARRY OUT, IF NECESSARY, EXPLORATORY DIGS IN ORDER TO DETERMINE THE EXACT LOCATION AND INVERTS OF EXISTING DUCK BANKS. THIS INFORMATION SHALL IMMEDIATELY BE PROVIDED TO THE CONSULTANT PRIOR TO START UNDERTAKING ANY MUNICIPAL SERVICES WORK AND A 48 HOUR PERIOD MUST BE ALLOCATED TO THE CONSULTANT FOR DESIGN REVIEW.
- AT PROPOSED UTILITY CONNECTION POINTS AND CROSSINGS (I.E. STORM SEWER, SANITARY SEWER, WATER, ETC.) THE CONTRACTOR SHALL DETERMINE THE PRECISE LOCATION AND DEPTH OF EXISTING UTILITIES AND REPORT ANY DISCREPANCIES OR CONFLICTS TO THE ENGINEER BEFORE COMMENCING WORK. CONTRACTOR IS RESPONSIBLE FOR ALL LAYOUT FOR CONSTRUCTION PURPOSES.
- THE CONTRACTOR IS RESPONSIBLE FOR THE COORDINATION OF ALL WORK AND ACTIVITIES WITH OTHER TRADES AND CONTRACTORS.
- THE CONTRACTOR IS THE ONLY PERSON IN CHARGE OF SAFETY ON THE BUILDING SITE. THE CONTRACTOR IS RESPONSIBLE FOR PROVIDING ADEQUATE PROTECTION OF THE WORKERS, OTHER PERSONNEL AND THE GENERAL PUBLIC, PROTECTION OF MATERIALS, AS WELL AS MAINTAINING IN GOOD CONDITION THE COMPLETED WORKS AND WORKS TO BE COMPLETED. THE CONTRACTOR MUST PROVIDE AT ANY TIME:
  - A SUFFICIENT NUMBER OF FENCES, BARRIERS, POSTERS, GUARDS AND OTHERS TO ENSURE SAFETY.
  - NECESSARY CONVENIENCES FOR THE COMPLETION OF WORK SUCH AS HEATING, LIGHTING, VENTILATION ETC.
- CONTRACTOR IS RESPONSIBLE TO OBTAIN THE VARIOUS PERMITS/APPROVALS REQUIRED TO COMPLETE ALL THE WORKS AND ACTIVITIES AND BEAR COST OF THE SAME, SUCH AS BUT NOT LIMITED TO: ROAD CUT PERMITS, SEWER PERMITS, WATER PERMIT, ETC. AND THEIR ASSOCIATED COSTS.
- ALL ELEVATIONS ARE GEODETIC AND UTILIZE METRIC UNITS.
- JOB BENCH MARK - CONFIRM WITH PARSONS PRIOR TO UTILIZATION. THE CONTRACTOR MUST MAINTAIN BENCHMARKS AND LANDMARK REFERENCES AS IS. OTHERWISE THESE REFERENCES WILL BE REPOSITIONED BY A CERTIFIED LAND SURVEYOR AT THE CONTRACTOR'S EXPENSE.
- ALL GROUND SURFACES SHALL BE EVENLY GRADED WITHOUT PONDING AREAS AND LOW POINTS EXCEPT WHERE APPROVED SWALE OR CATCH BASIN OUTLETS ARE PROVIDED.
- IF GROUNDWATER IS ENCOUNTERED DURING CONSTRUCTION, Dewatering of excavations could be required. IT IS ASSUMED THAT GROUNDWATER MAY BE CONTROLLED BY SUMP AND PUMPING METHODS. THE CONTRACTOR SHALL OBTAIN A PERMIT TO TAKE WATER IF SITE CONDITIONS REQUIRE TAKING MORE THAN A TOTAL OF 400 000 L/DAY.
- STRIP AND REMOVE ALL TOPSOIL FROM IMPROVED AREAS. SITE PREPARATION INCLUDES CLEARING, GRUBBING, STRIPPING OF TOPSOIL, DEMOLITION, REMOVAL OF UNSUITABLE MATERIALS, CUT, FILL AND ROUGH GRADING OF ALL AREAS TO RECEIVE FINISHED SURFACES.
- ABUTTING PROPERTY GRADE TO BE MATCHED.
- ALL EDGES OF DISTURBED PAVEMENT SHALL BE SAW CUT TO FORM A NEAT AND STRAIGHT LINE PRIOR TO PLACING NEW PAVEMENT. PAVEMENT REINSTATEMENT SHALL BE WITH STEP JOINTS OF 300mm WIDTH MINIMUM.
- CURBS TO BE BARRIER, CONSTRUCTED AS PER OPSS 600.110, EXCEPT WHERE INDICATED OTHERWISE. ELEVATION AT TOP OF CONCRETE CURBS TO BE 150 mm ABOVE THE ASPHALT, UNLESS OTHERWISE INDICATED ON THE DRAWINGS.
- DEPRESSED CURBS TO BE MOUNTABLE, CONSTRUCTED AS PER OPSS 600.100.
- LIGHT DUTY AND HEAVY DUTY ASPHALT PAVEMENTS TO BE CONSTRUCTED AS PER TABLE ON DRAWING C103.
- TRANSITION BETWEEN EXISTING AND PROPOSED PAVEMENT SHALL BE CONSTRUCTED AS PER DETAIL D3 ON DRAWING C104.
- RESTORE PAVEMENT STRUCTURE AND SURFACES ON EXISTING ROADS TO A CONDITION AT LEAST EQUAL TO ORIGINAL AND TO THE SATISFACTION OF THE MUNICIPAL AUTHORITIES.
- CLEANLINESS ON THE SITE, INCLUDES THE CONTRACTOR SHALL CLEAN ROADWAYS AT HIS OWN COST AS DIRECTED BY THE OWNER'S REPRESENTATIVE. MATERIALS AND EQUIPMENT MUST BE LAID OUT IN AN ORGANIZED AND SAFE MANNER, AND ALL MATERIAL, EQUIPMENT AND TEMPORARY STRUCTURES WHICH ARE NO LONGER NECESSARY FOR THE EXECUTION OF THE CONTRACT MUST BE REMOVED FROM THE SITE.
- CONTRACTOR TO ENSURE MITIGATION MEASURES ARE IMPLEMENTED TO REDUCED THE RISK OF GROUND CONTAMINATION FROM PETROLEUM PRODUCTS.
- THE CONTRACTOR MUST ENSURE THE FOLLOWING MEASURES ARE IMPLEMENTED REGARDING THE HANDLING OF CONCRETE:
  - CONCRETE SHOULD EITHER BE MIXED AWAY FROM THE SITE OR SHOULD BE PREPARED ON PAVED SURFACES IF ONLY SMALL QUANTITIES ARE REQUIRED (I.E. MINOR REPAIRS).
  - EXCESS CONCRETE MUST BE DISPOSED OFF-SITE AT A LOCATION THAT MEETS ALL REGULATORY REQUIREMENTS.
  - THE WASHING OF CONCRETE TRUCKS AND OTHER EQUIPMENT USED FOR MIXING CONCRETE SHOULD NOT BE CARRIED OUT WITHIN 30 METERS OF A WATERCOURSE OR WETLAND AND SHOULD TAKE PLACE OUTSIDE OF THE WORK SITE.
  - ALL CONCRETE TRUCKS SHOULD COLLECT THEIR WASH WATER AND RECYCLE IT BACK INTO THEIR TRUCKS FOR DISPOSAL OFF-SITE AT A LOCATION MEETING ALL REGULATORY REQUIREMENTS.
- THE CONTRACTOR SHALL ENSURE THAT ALL EXCAVATED SURPLUS MATERIALS THAT WILL BE REQUIRED TO BE DISPOSED OFFSITE BE STOCKPILED TEMPORARILY FOR SAMPLING PRIOR BEING LOADED OFFSITE.
- MINIMIZE DISTURBANCE TO EXISTING VEGETATION DURING THE EXECUTION OF ALL WORKS.
- TRENCHING, BACKFILLING AND COMPACTING MUST CONFORM TO OPSS 401.
- DEWATERING OF PIPELINE, UTILITY AND ASSOCIATED STRUCTURE EXCAVATIONS TO BE COMPLETED AS PER OPSS 517.
- THE CONTRACTOR MUST CONTROL SURFACE RUNOFF FROM PRECIPITATION DURING CONSTRUCTION.
- FOR ALL GEOTECHNICAL WORK, CONTRACTOR TO REFER TO "GEOTECHNICAL INVESTIGATION REPORT, PROPOSED COMMERCIAL DEVELOPMENT, 3850 CAMBRIAN RD, NEPEAN, OTTAWA, ONTARIO, BY GEOTERRE LIMITED, DATED APRIL 6, 2023".
- REMOVE FROM SITE ALL EXCESS EXCAVATED MATERIAL, UNLESS OTHERWISE DIRECTED FROM THE ENGINEER. EXCAVATE AND REMOVE ALL ORGANIC MATERIAL AND DEBRIS LOCATED WITHIN THE PROPOSED BUILDING, PARKING AND ROADWAY LOCATIONS.
- THE CONTRACTOR IS RESPONSIBLE FOR ALL EXCAVATION, BACKFILL AND REINSTATEMENT OFF ALL AREAS DISTURBED DURING CONSTRUCTION TO EXISTING CONDITIONS OR BETTER AND ALL ASSOCIATED WORKS TO THE SATISFACTION OF THE CONSULTANT AND MUNICIPAL AUTHORITIES. ASPHALT REINSTATEMENT MUST BE IN ACCORDANCE WITH OPSS 310. LANDSCAPE AREAS TO BE REINSTATED WITH 150 mm OF TOPSOIL AND SOD IN ACCORDANCE WITH OPSS 802 AND OPSS 803.
- DURING THE CONSTRUCTION PERIOD THE CONTRACTOR IS RESPONSIBLE FOR INSTALLING AND MAINTAINING TEMPORARY TRAFFIC SIGNAGE, INCLUDING TRAFFIC SIGNS, TRAFFIC MARKINGS AND TEMPORARY TRAFFIC LIGHTS, AND FLAGMEN, AS REQUIRED BY THE OWNER, THE CONSULTANT, THE MUNICIPALITY, THE MTO, AND OTHER GOVERNING AUTHORITIES.
- CONSTRUCT SIDEWALK EXPANSION JOINTS & CONTROL JOINTS AS PER OPSS 310.020.
- CONSTRUCT CONCRETE SIDEWALK AS PER OPSS 310.020 AND OPSS 351. TACTILE WALKING SURFACE INDICATORS PER OPSS 351.
- DISPOSE OF CONTAMINATED MATERIALS AT APPROPRIATE OFF-SITE FACILITY THAT MEETS ALL REGULATORY REQUIREMENTS.
- BE PREPARED TO INTERCEPT, CLEAN UP, AND DISPOSE OF SPILLS OR RELEASES THAT MAY OCCUR WHETHER ON LAND OR WATER. MAINTAIN MATERIALS AND EQUIPMENT REQUIRED FOR CLEANUP OF SPILLS OR RELEASES READILY ACCESSIBLE ON SITE.
- PROMPTLY REPORT SPILLS AND RELEASES POTENTIALLY CAUSING DAMAGE TO ENVIRONMENT TO AUTHORITY HAVING JURISDICTION OR INTEREST IN SPILL OR RELEASE INCLUDING CONSERVATION AUTHORITY, WATER SUPPLY AUTHORITIES, DRAINAGE AUTHORITY, ROAD AUTHORITY, AND FIRE DEPARTMENT.
- DECONTAMINATE EQUIPMENT AFTER WORKING IN POTENTIALLY CONTAMINATED WORK AREAS AND PRIOR TO SUBSEQUENT WORK OR TRAVEL ON CLEAN AREAS.
- DO NOT DISCHARGE DECONTAMINATED WATER, OR SURFACE WATER RUNOFF, OR GROUNDWATER WHICH MAY HAVE COME IN CONTACT WITH POTENTIALLY CONTAMINATED MATERIAL, OFF SITE OR TO MUNICIPAL SEWERS.
- CONTRACTOR IS TO SUBMIT A TRAFFIC MANAGEMENT PLAN FOR APPROVAL ONE (1) WEEK PRIOR TO ANY WORK WITHIN THE ROW LIMITS TO MEET THE REQUIREMENTS OF MTO BOOK 7.
- THE CONTRACTOR WILL BE REQUIRED TO IMPLEMENT ALL REQUIREMENTS OF THE MTO BOOK 7.
- CITY PUBLIC WORKS DEPARTMENT TO BE CONTACTED MINIMUM 7 DAYS PRIOR TO PLANNED DATE FOR CONNECTION TO EXISTING STORM SEWERS, SANITARY SEWERS, AND WATERMAIN. CONNECTION TO EXISTING TO TAKE PLACE IN THE PRESENCE OF APPROPRIATE CITY OF OTTAWA STAFF.

PAVEMENT STRUCTURES			
MATERIAL	LIGHT DUTY	HEAVY DUTY	COMPACTION
SURFACE LAYER : HL3	40 mm	40 mm	≥ 92%*
BASE LAYER : HL8	40 mm	60 mm	≥ 92%*
GRANULAR BASE : OPSS MUNI 1010 GRANULAR A	200 mm	200 mm	100%**
GRANULAR SUB-BASE : EXISTING GRANULAR BASE PLACED DURING INITIAL SITE GRADING	min. 350 mm	min. 350 mm	100%**

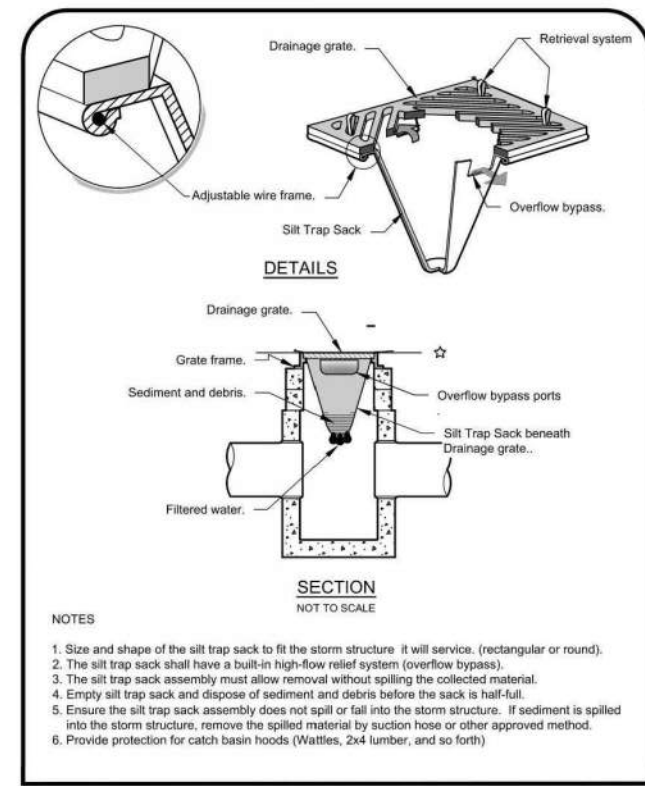
\*MINIMUM PAVEMENT COMPACTION BASED ON MAXIMUM RELATIVE DENSITY, PER OPSS MUNI 310  
\*\*OF THE STANDARD PROCTOR MAXIMUM DRY DENSITY  
SOURCE: GEOTECHNICAL INVESTIGATION REPORT, PROPOSED COMMERCIAL DEVELOPMENT, 3850 CAMBRIAN RD, NEPEAN, OTTAWA, ONTARIO, BY GEOTERRE LIMITED, DATED APRIL 6, 2023



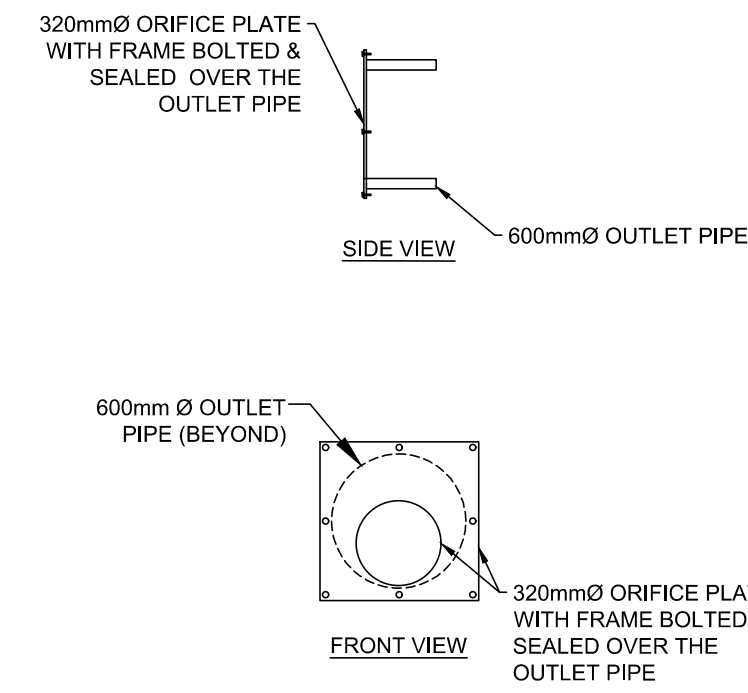
PROJECT: 3850 CAMBRIAN RD  
BARRHAVEN, ONTARIO

DRAWING: GRADING PLAN

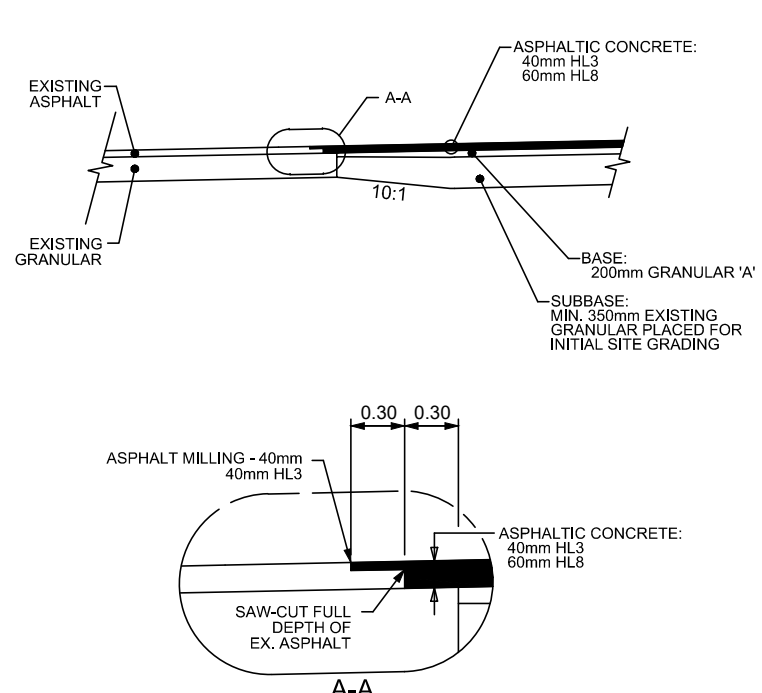
PROJECT NO: 478356  
PROJECT DATE: 2022-08-19  
DRAWN BY: BV  
CHECKED BY: MT  
SCALE: As indicated



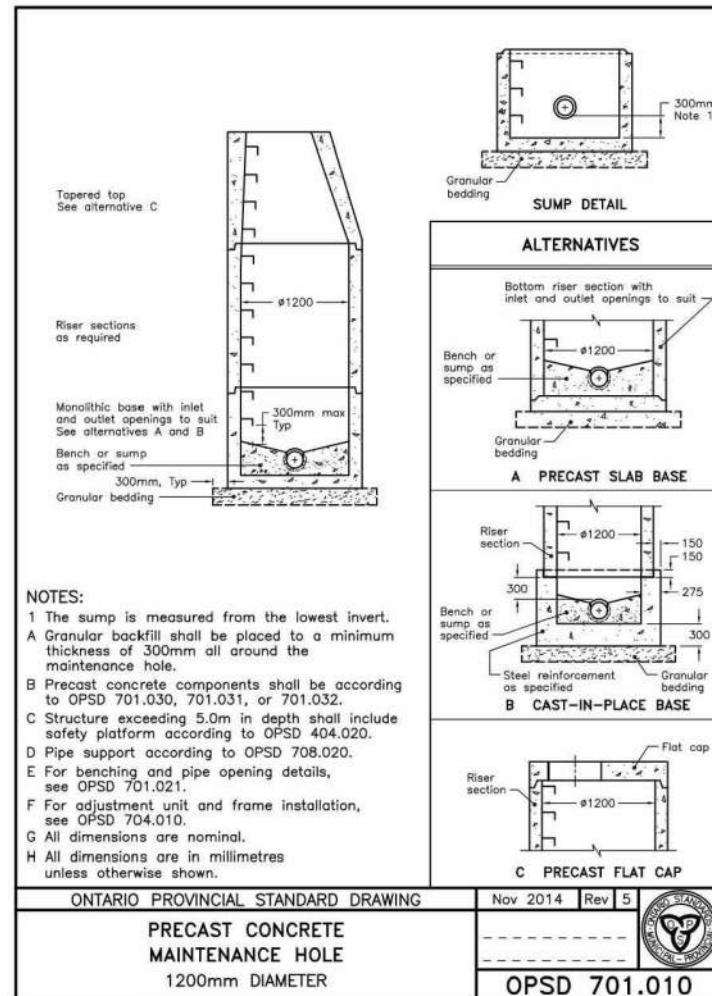
SILT SACK DETAIL



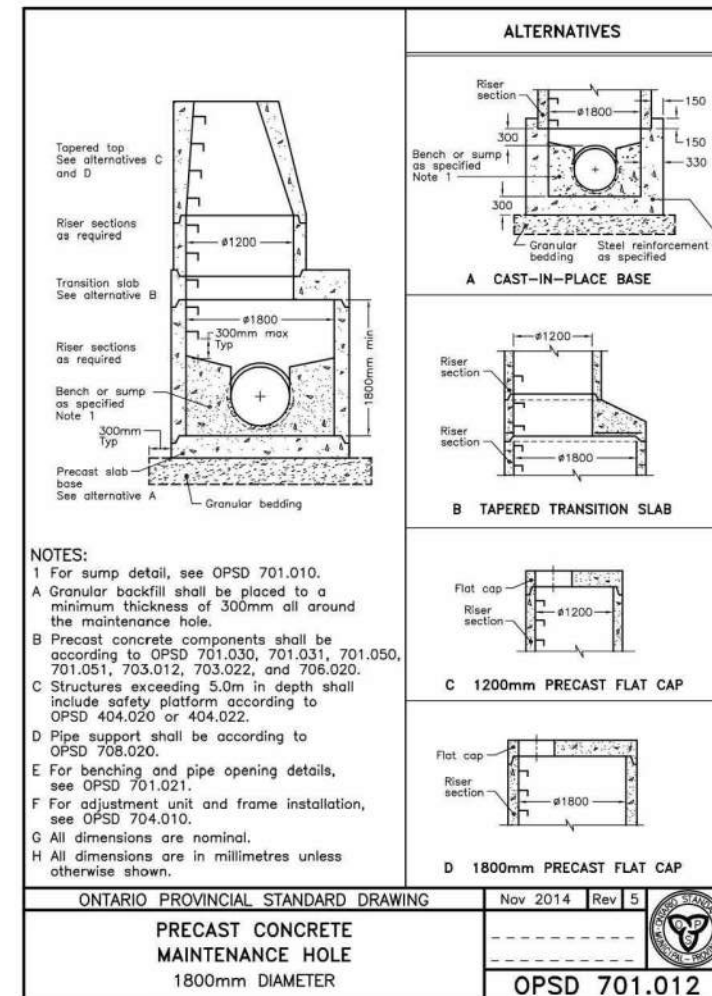
FRAME & PLATE ICD



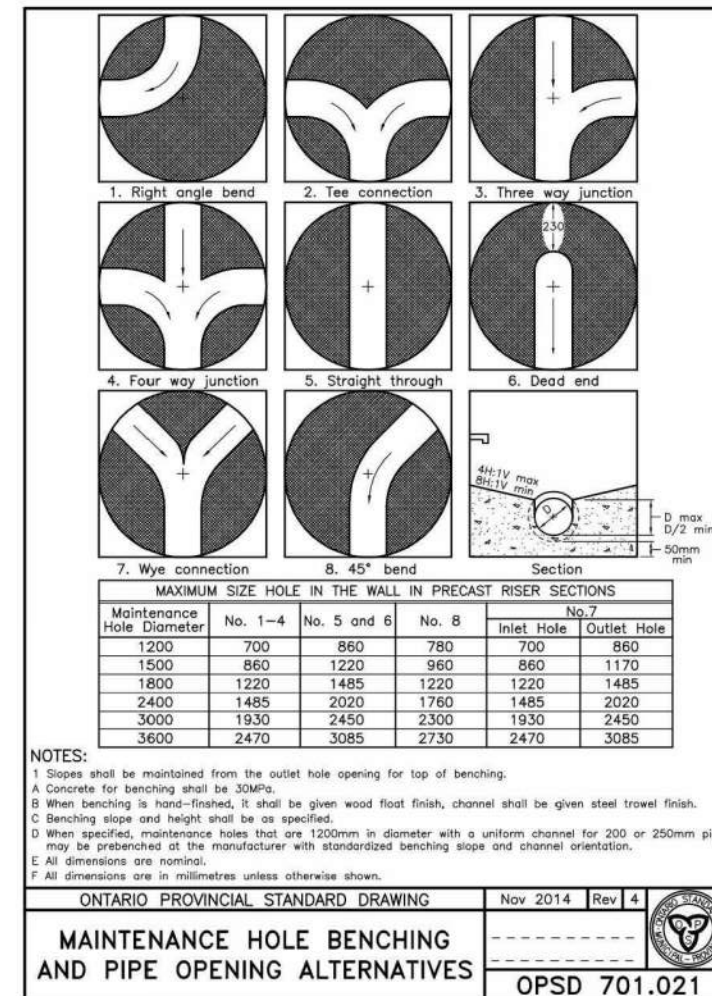
NEW TO EXISTING PAVEMENT PERPENDICULAR TRANSITION TREATMENT



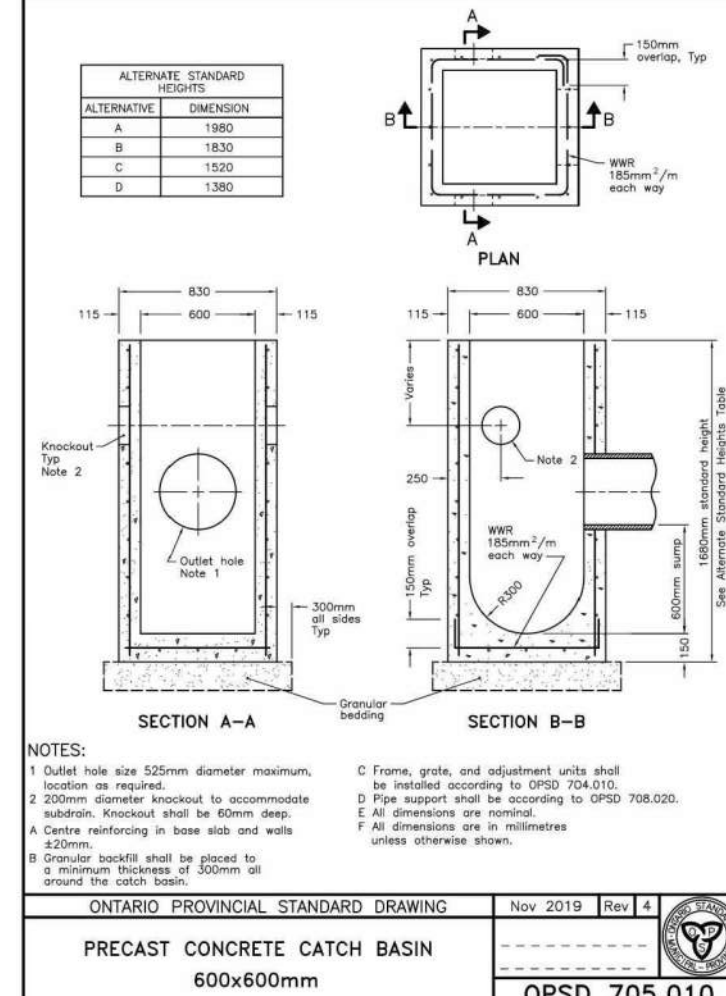
PRECAST CONCRETE MAINTENANCE HOLE 1200mm DIAMETER



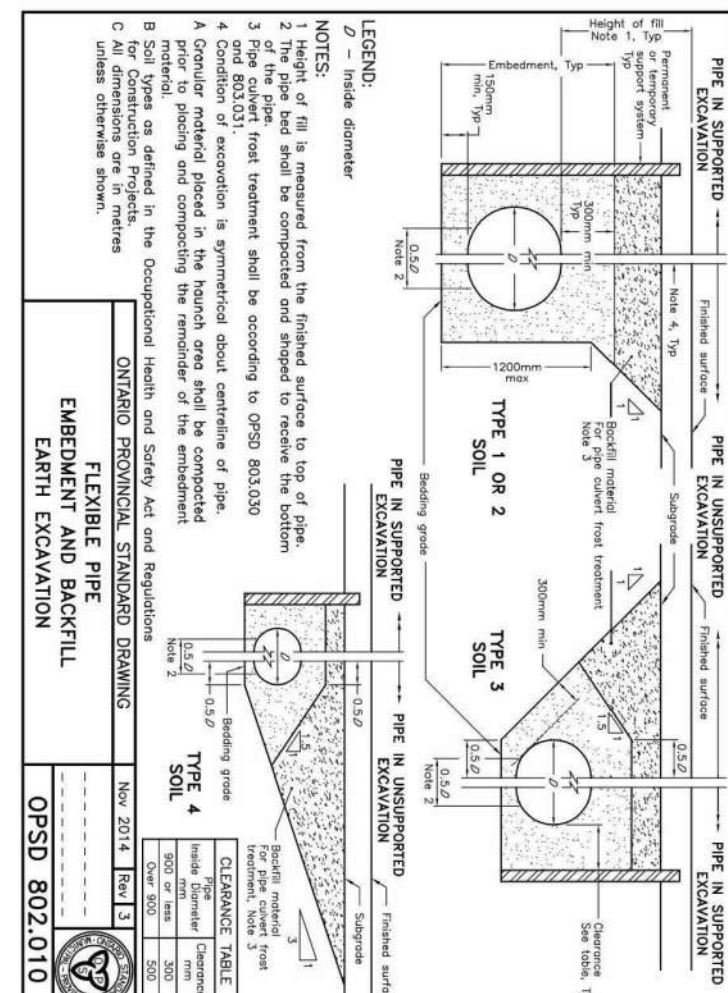
PRECAST CONCRETE MAINTENANCE HOLE 1800mm DIAMETER



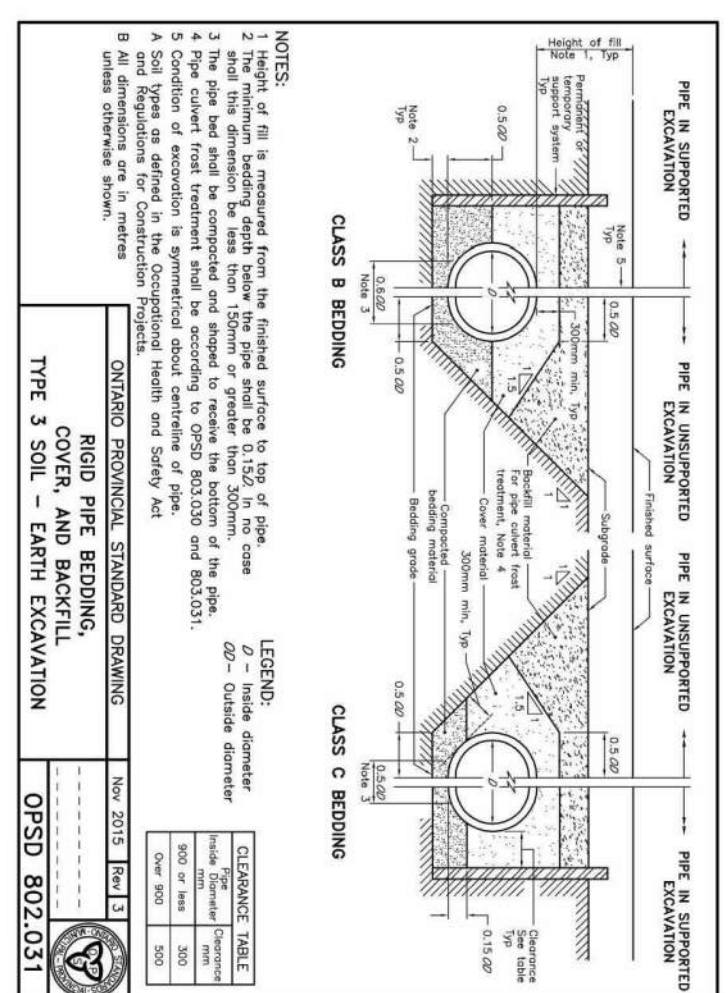
MAINTENANCE HOLE BENCHING AND PIPE OPENING ALTERNATIVES



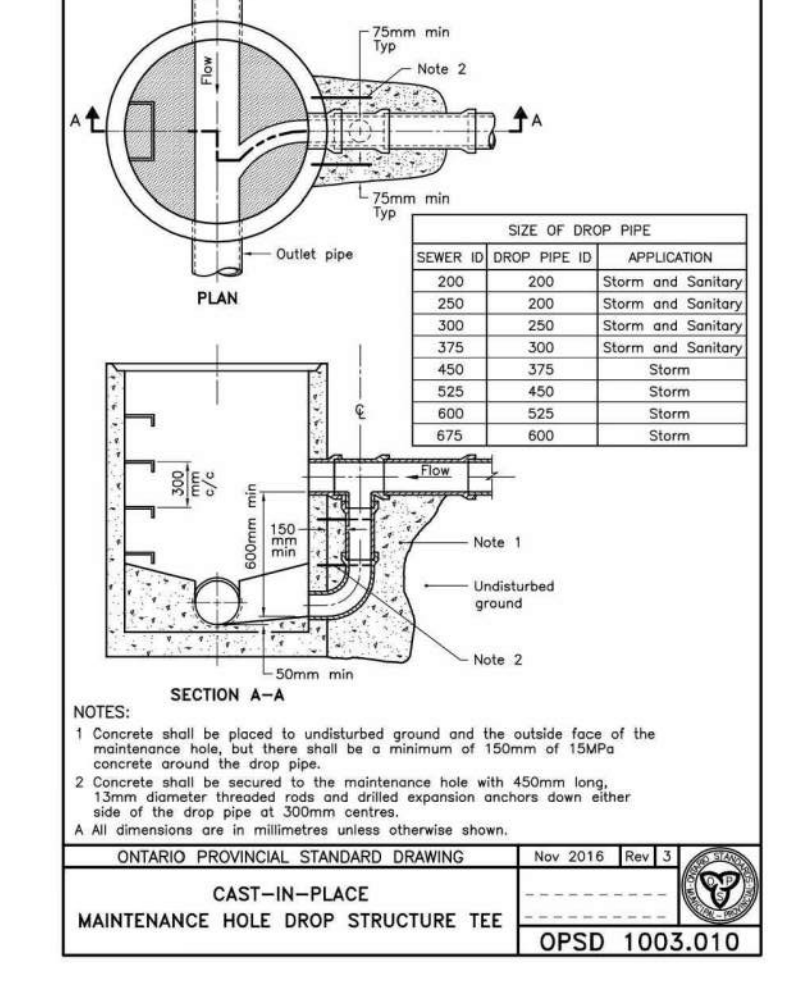
PRECAST CONCRETE CATCH BASIN 600x600mm



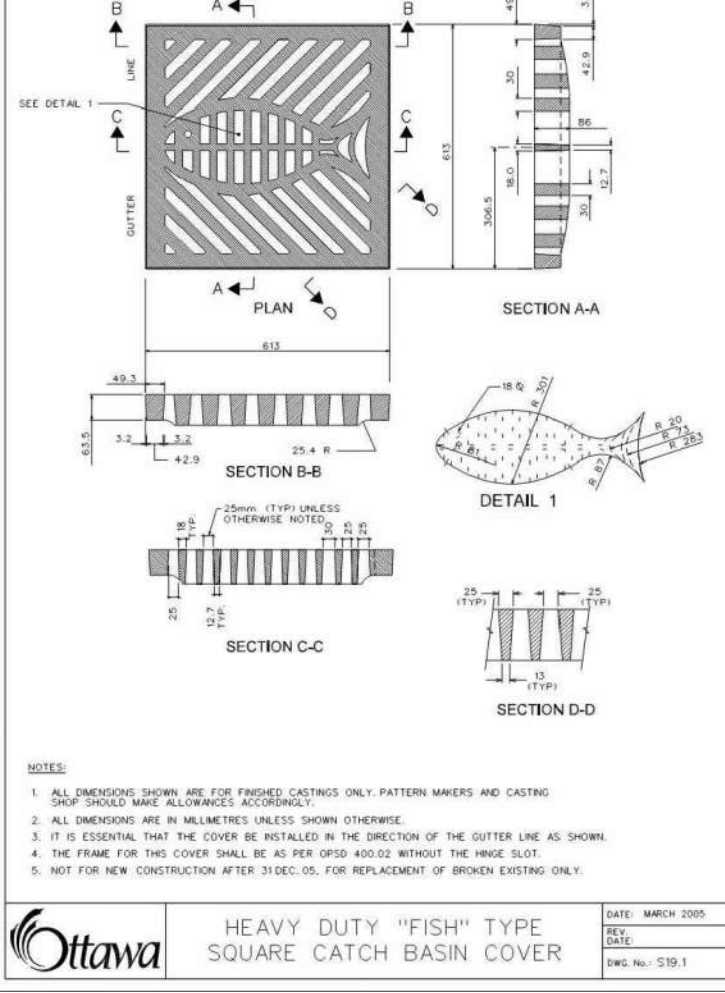
FLEXIBLE PIPE EMBEDMENT AND BACKFILL



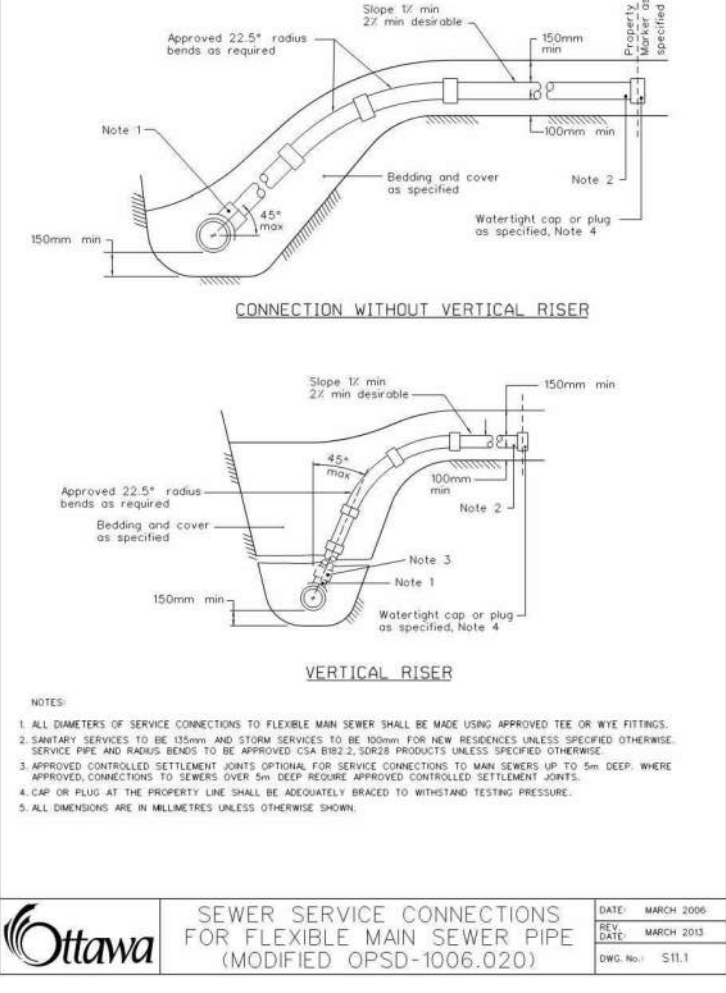
CLASS B BEDDING CLASS C BEDDING



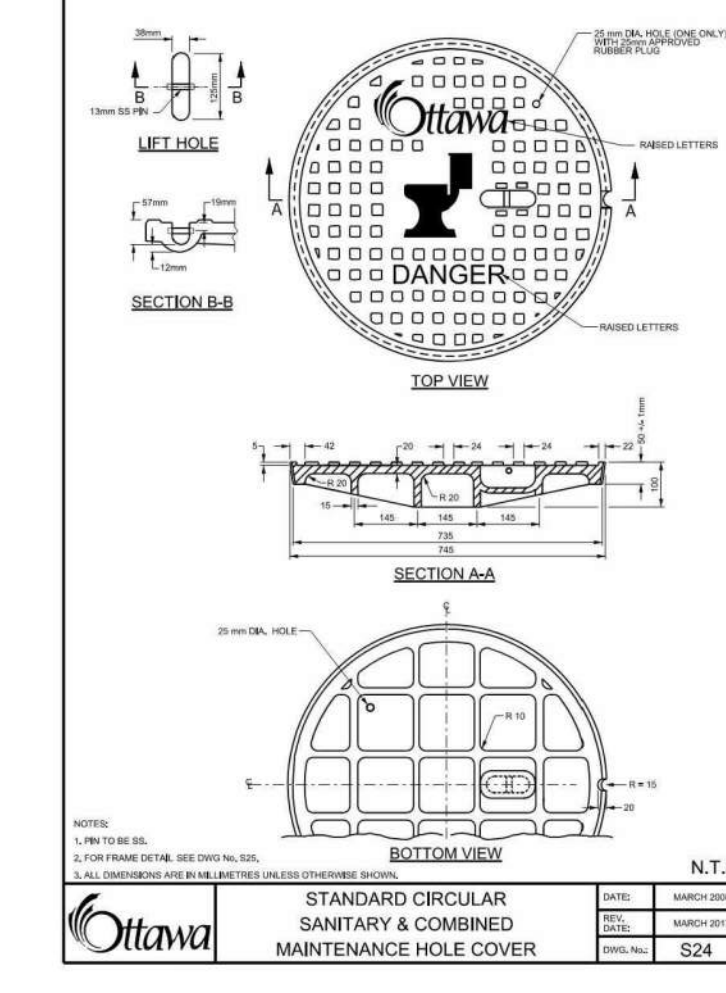
CAST-IN-PLACE MAINTENANCE HOLE DROP STRUCTURE TEE



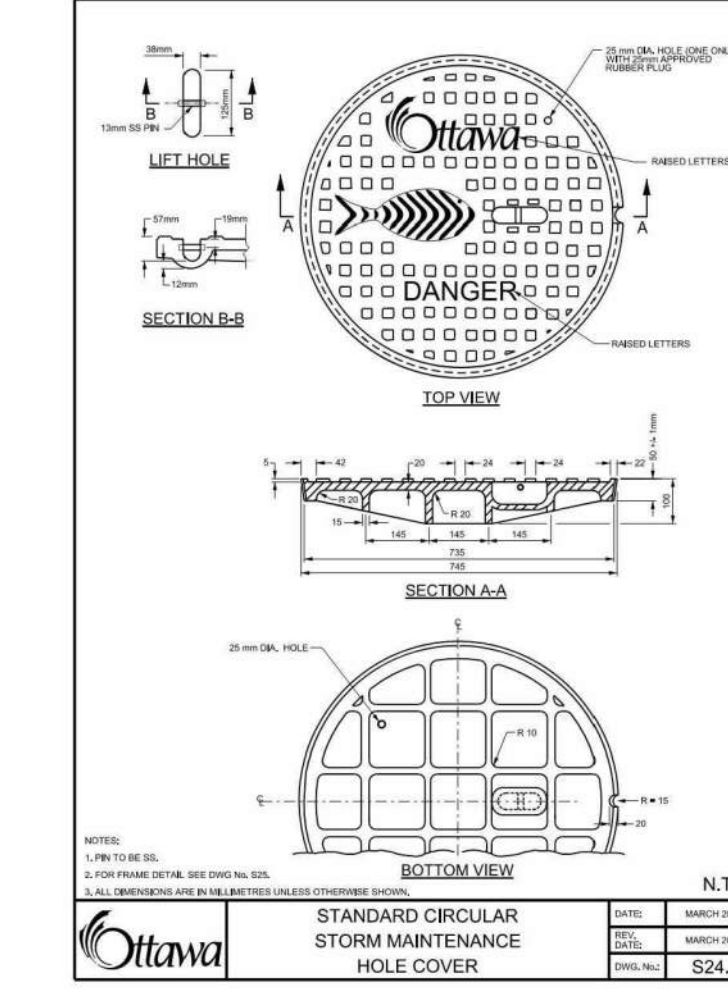
HEAVY DUTY "FISH" TYPE SQUARE CATCH BASIN COVER



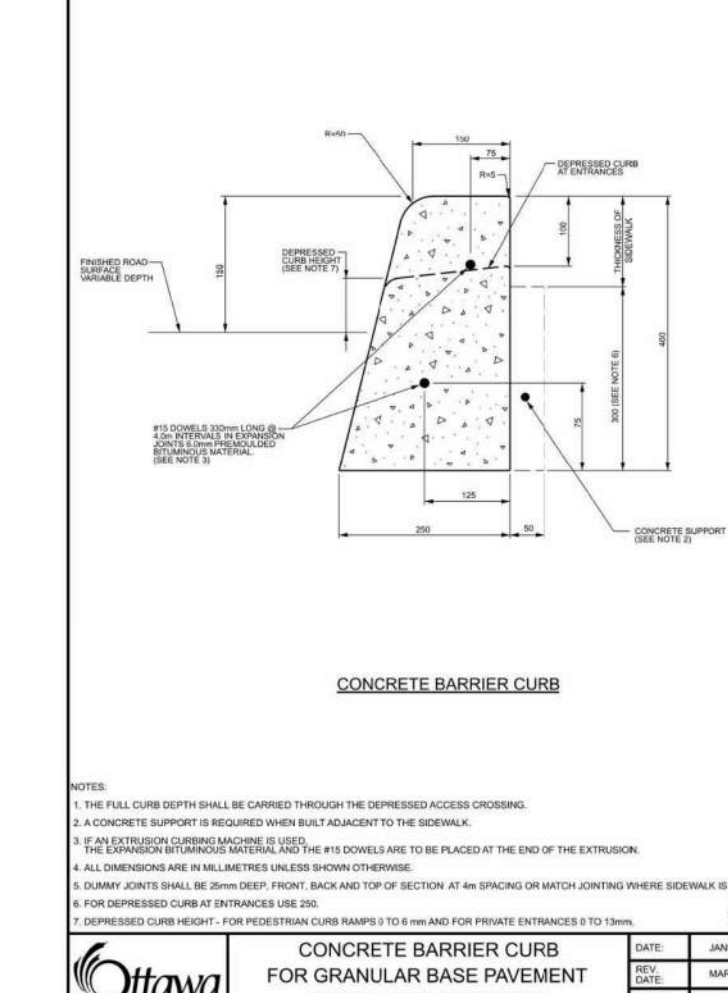
SEWER SERVICE CONNECTIONS FOR FLEXIBLE MAIN SEWER PIPE



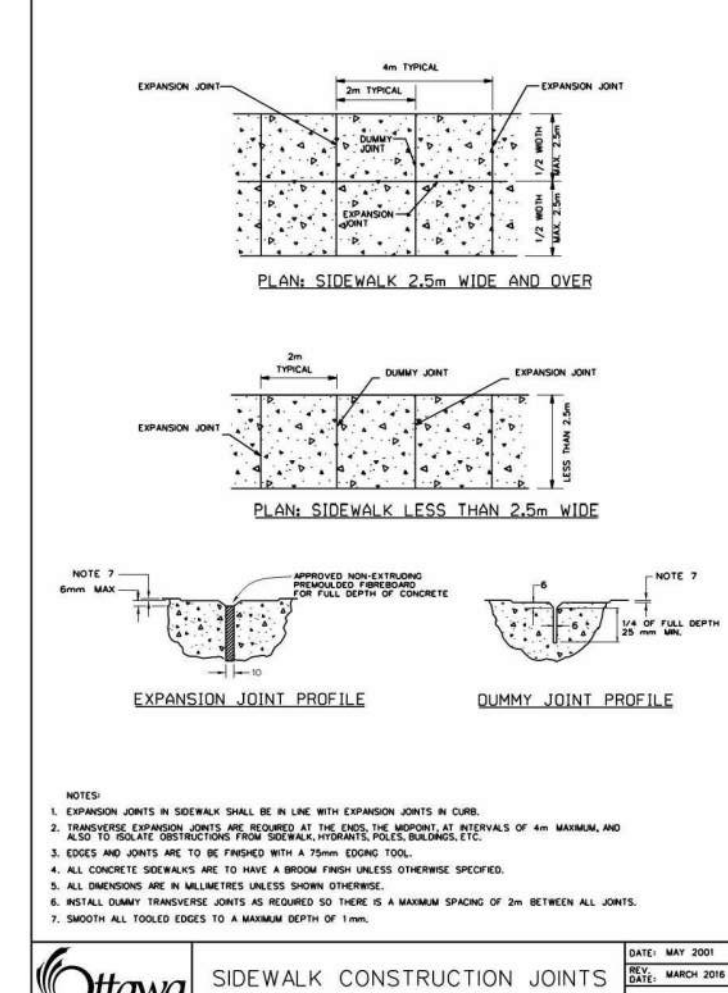
STANDARD CIRCULAR SANITARY & COMBINED MAINTENANCE HOLE COVER



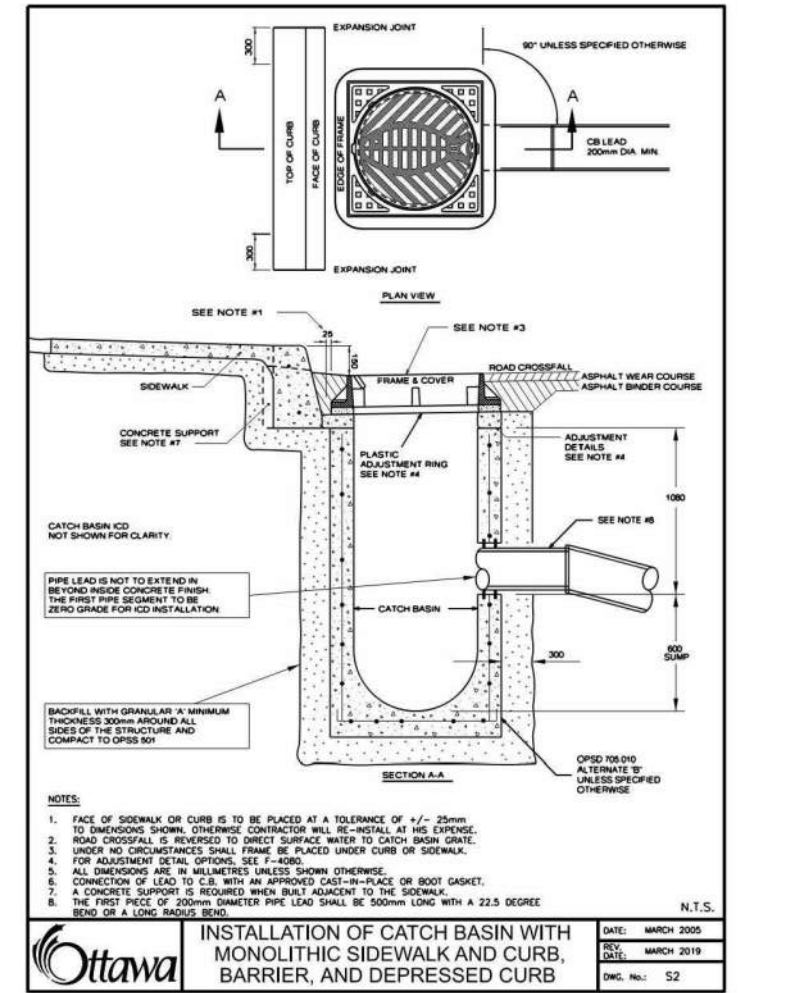
STANDARD CIRCULAR STORM MAINTENANCE HOLE COVER



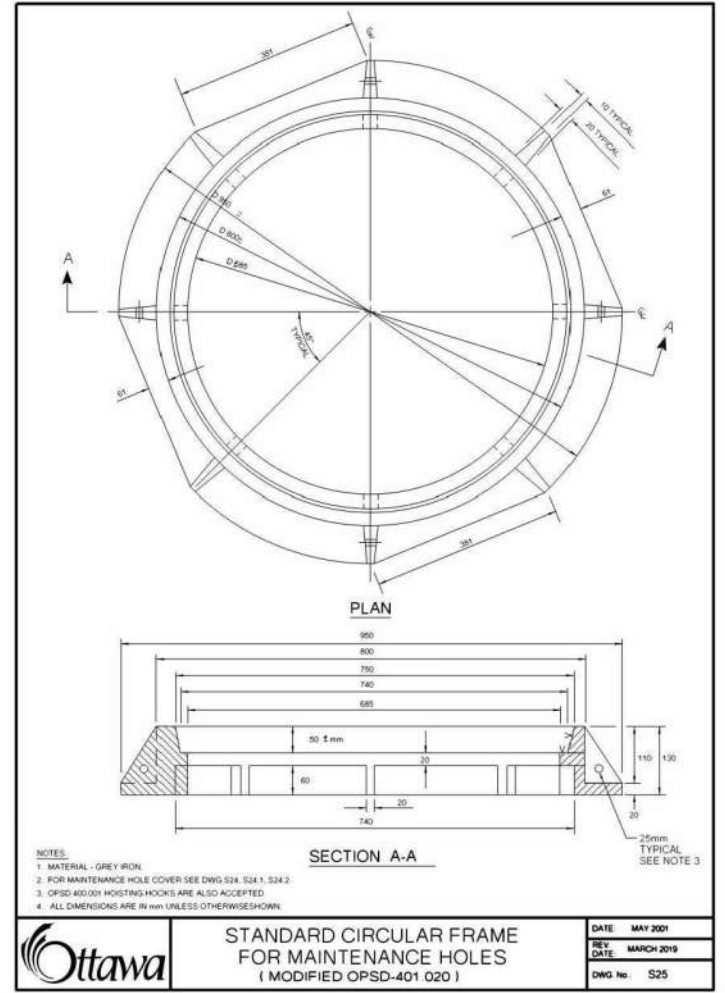
CONCRETE BARRIER CURB FOR GRANULAR BASE PAVEMENT



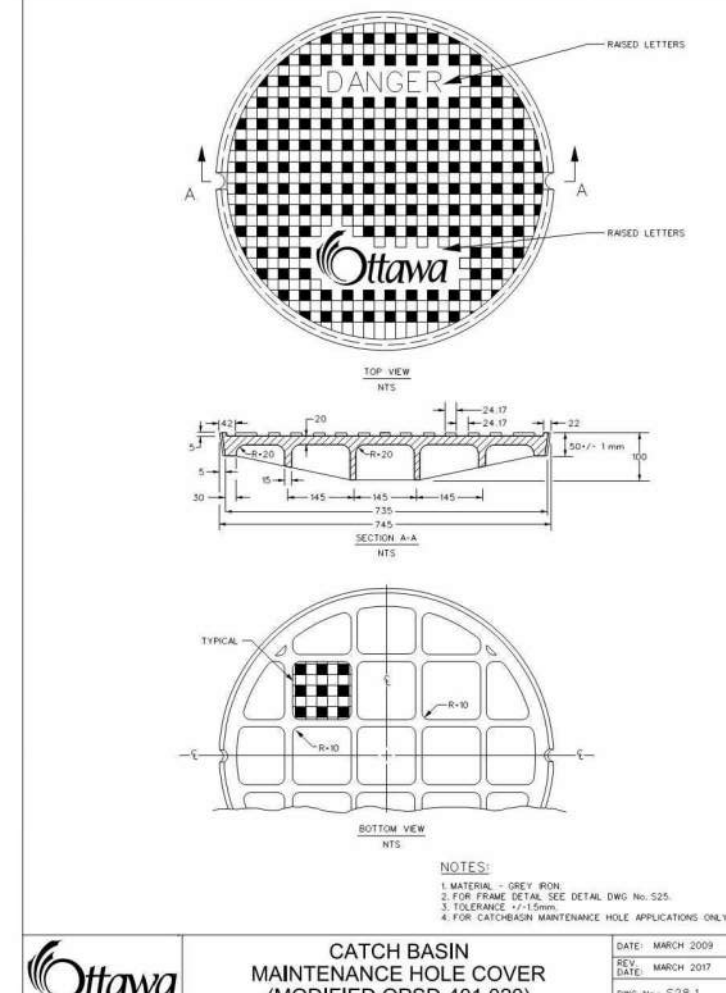
EXPANSION JOINT PROFILE QUARRY JOINT PROFILE



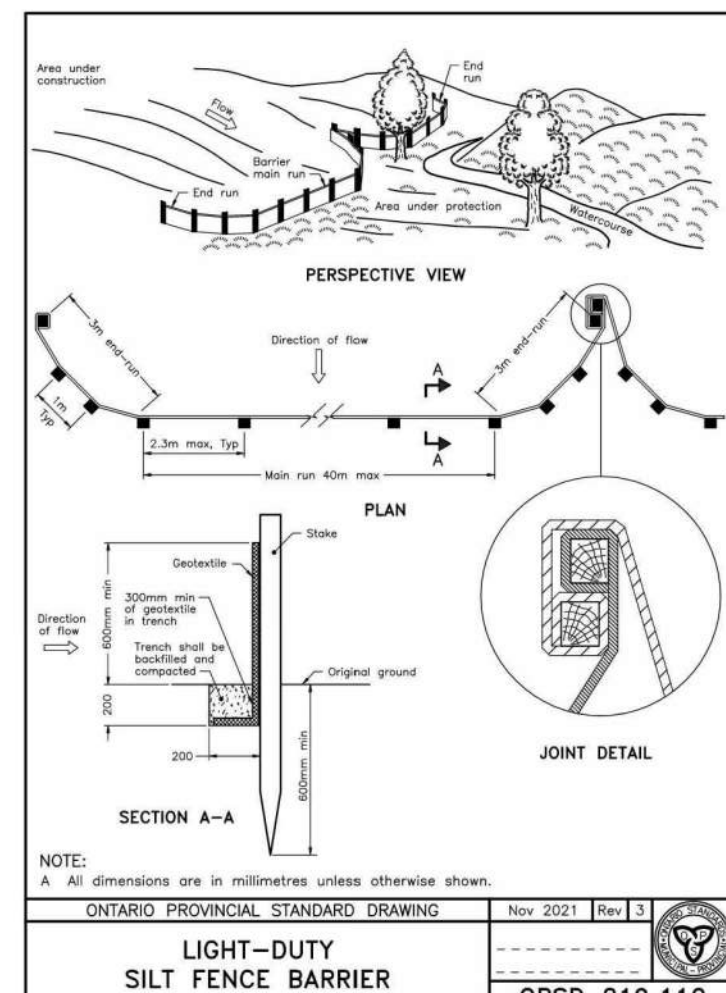
INSTALLATION OF CATCH BASIN WITH MONOLITHIC SIDEWALK AND CURB, BARRIER AND DEPRESSED CURB



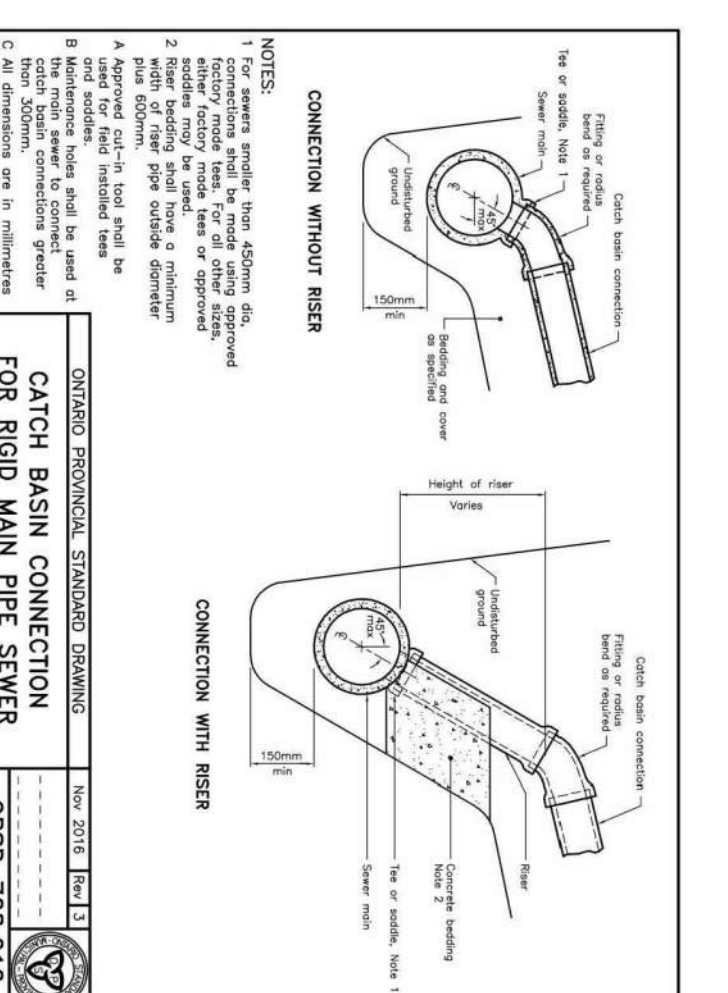
STANDARD CIRCULAR FRAME FOR MAINTENANCE HOLES



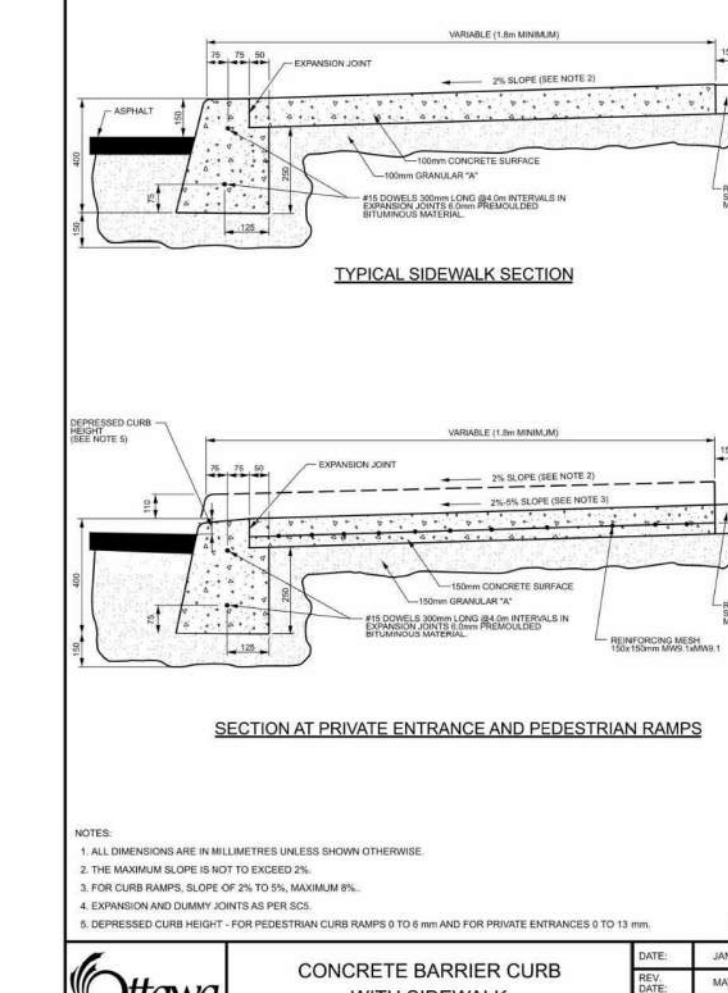
CATCH BASIN MAINTENANCE HOLE COVER



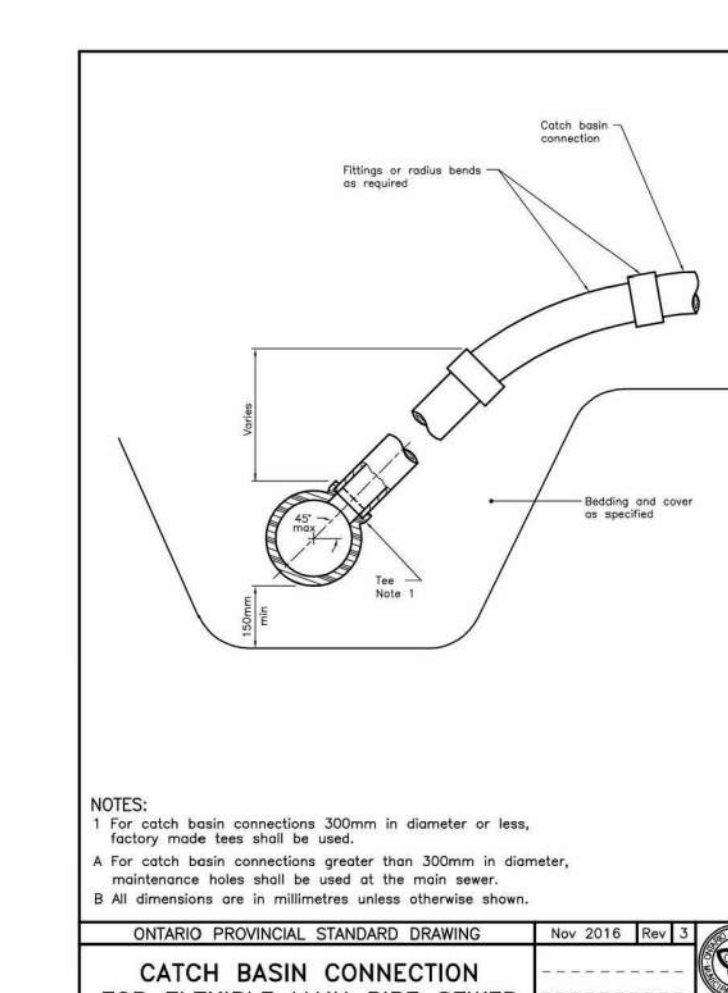
LIGHT-DUTY SILT FENCE BARRIER



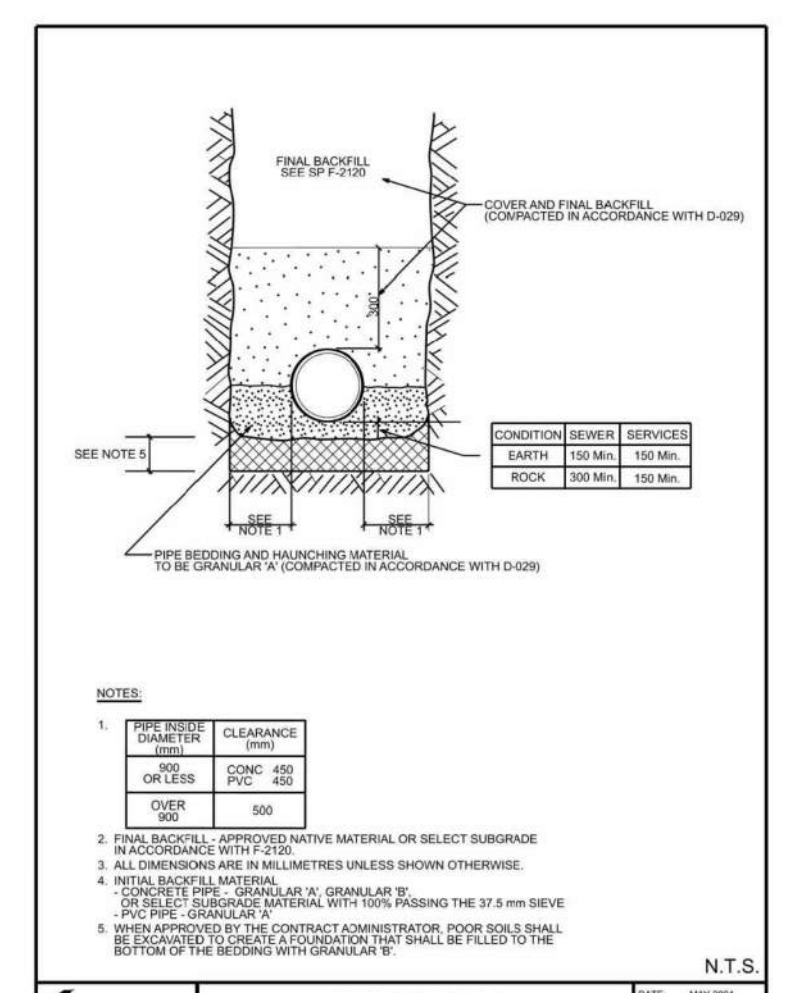
CATCH BASIN CONNECTION FOR RIGID MAIN PIPE SEWER



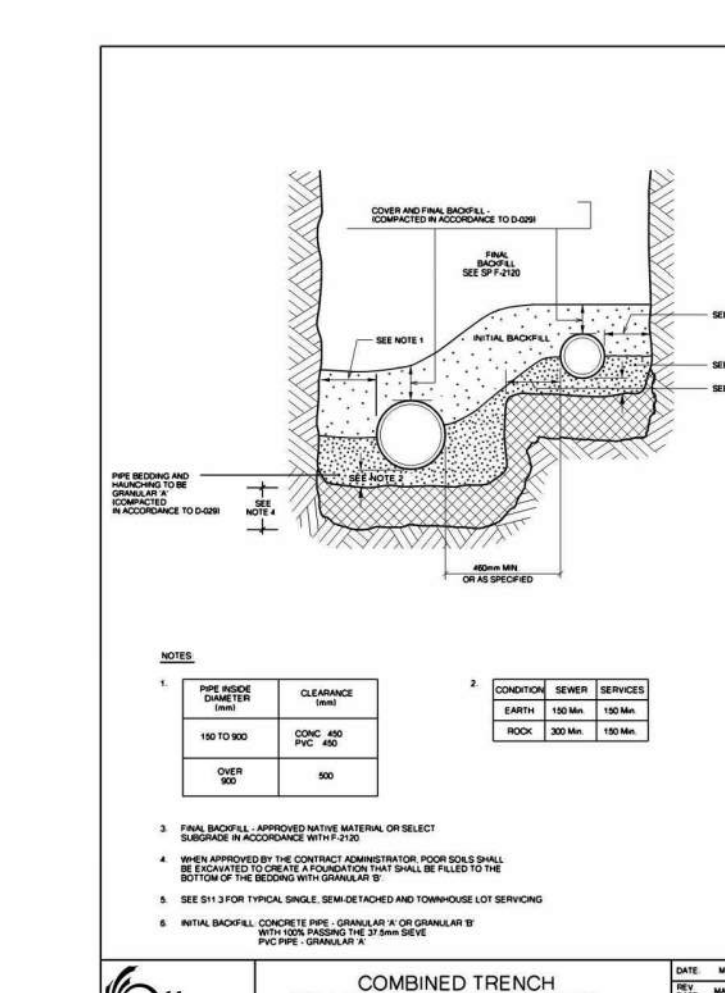
CONCRETE BARRIER CURB WITH SIDEWALK



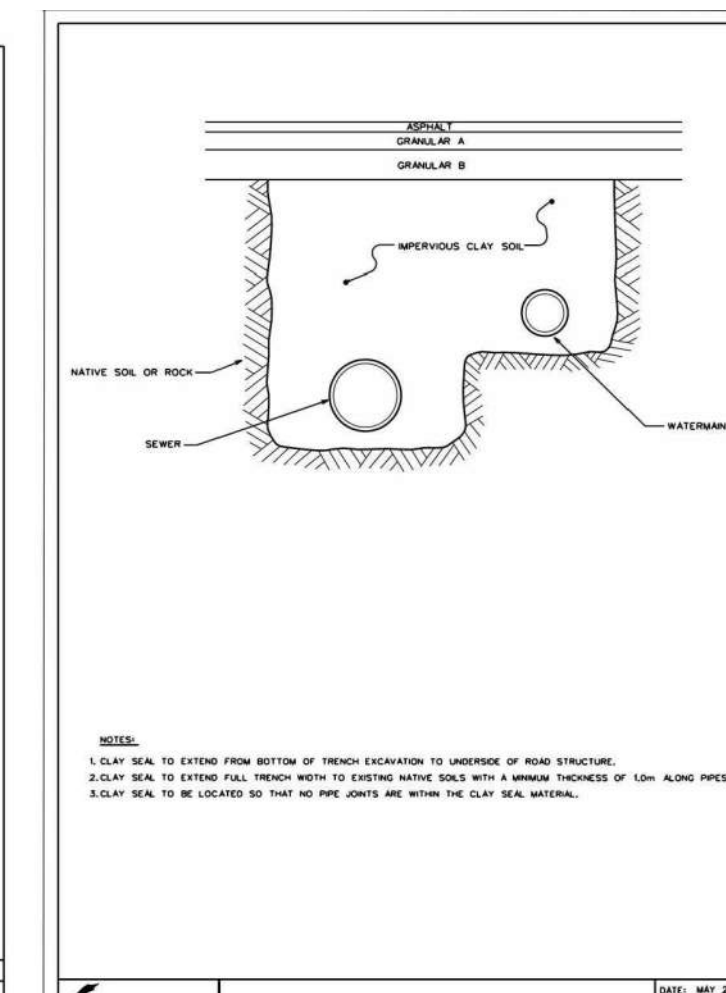
CATCH BASIN CONNECTION FOR FLEXIBLE MAIN PIPE SEWER



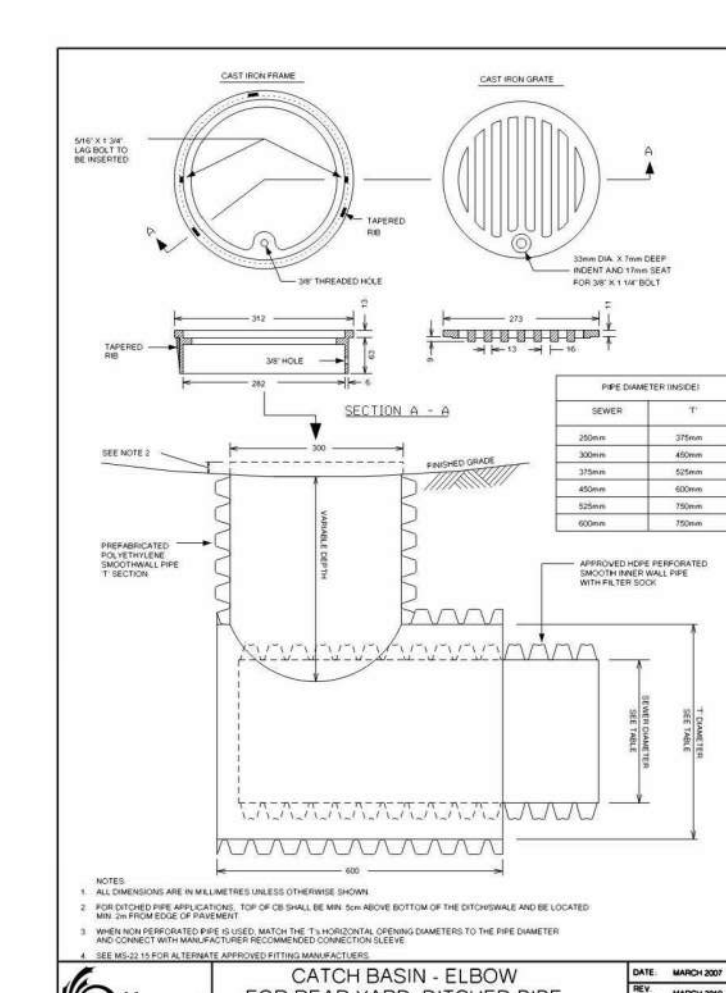
SINGLE TRENCH (SEWER & SEWER SERVICES)



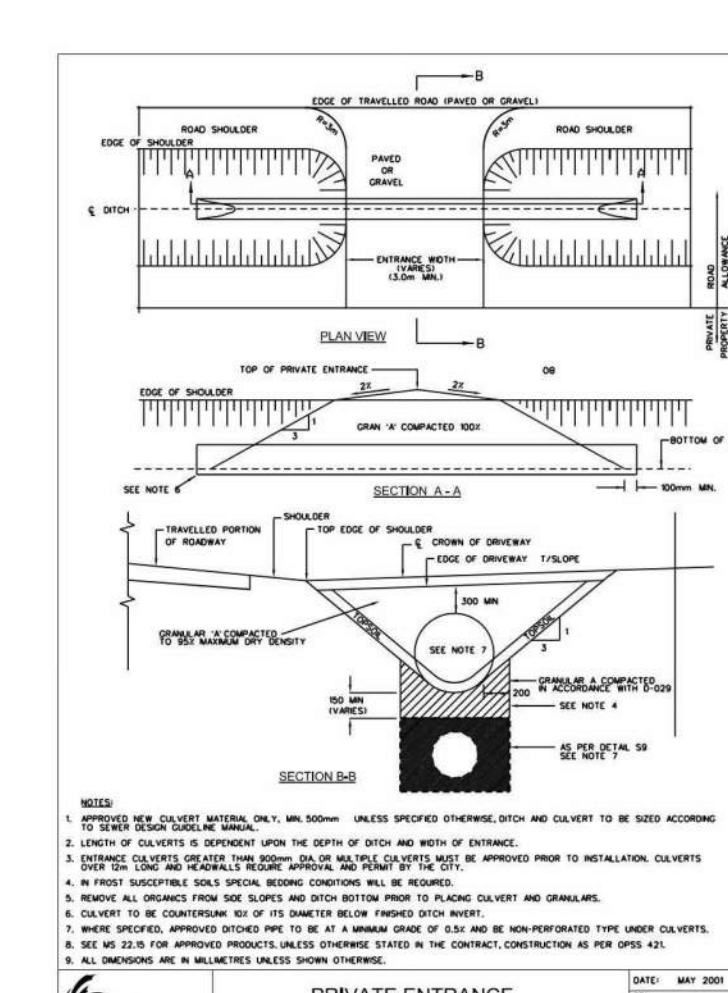
COMBINED TRENCH (SEWERS & SEWER SERVICES)



CLAY SEAL FOR PIPE TRENCHES



CATCH BASIN - ELBOW FOR RIGID PIPE AND LANDSCAPING APPLICATIONS



PRIVATE ENTRANCE DETAIL - RURAL

**TURNER FLEISCHER**  
Turner Fleischer Architects Inc.  
67 LeasB Road  
Toronto, ON, M5B 2T8  
T 416 425 2222  
turnerfleischer.com

**PARSONS**  
1223 MICHEL STREET, SUITE 100, OTTAWA, ONTARIO K1J 1T2  
Tel: 613-738-4160 Fax: 613-739-1705

This drawing, as an instrument of service, is provided by and is the property of Turner Fleischer Architects Inc. The contractor must verify and accept responsibility for all dimensions and conditions of site and that only Turner Fleischer Architects Inc. is responsible for the accuracy of the information. This drawing is not to be used for any other purpose without the written consent of Turner Fleischer Architects Inc. The architect is not responsible for the accuracy of the information provided by others. The contractor must ensure that the information provided is accurate and that the contractor is responsible for the accuracy of the information provided by others. The contractor must ensure that the information provided is accurate and that the contractor is responsible for the accuracy of the information provided by others.

2	2023-10-30	RE-ISSUED FOR SPA	BY
1	2023-04-26	ISSUED FOR SPA	BY
#	DATE	DESCRIPTION	BY

**Choice Properties**  
100130636  
10/19/2023  
PROVINCE OF ONTARIO

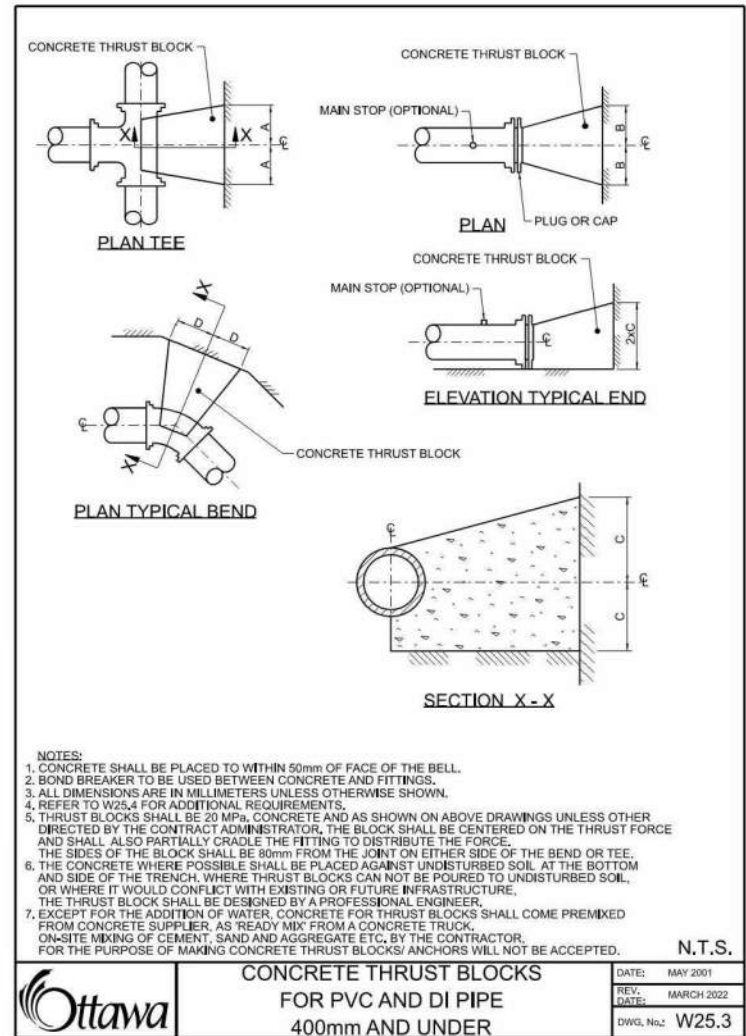
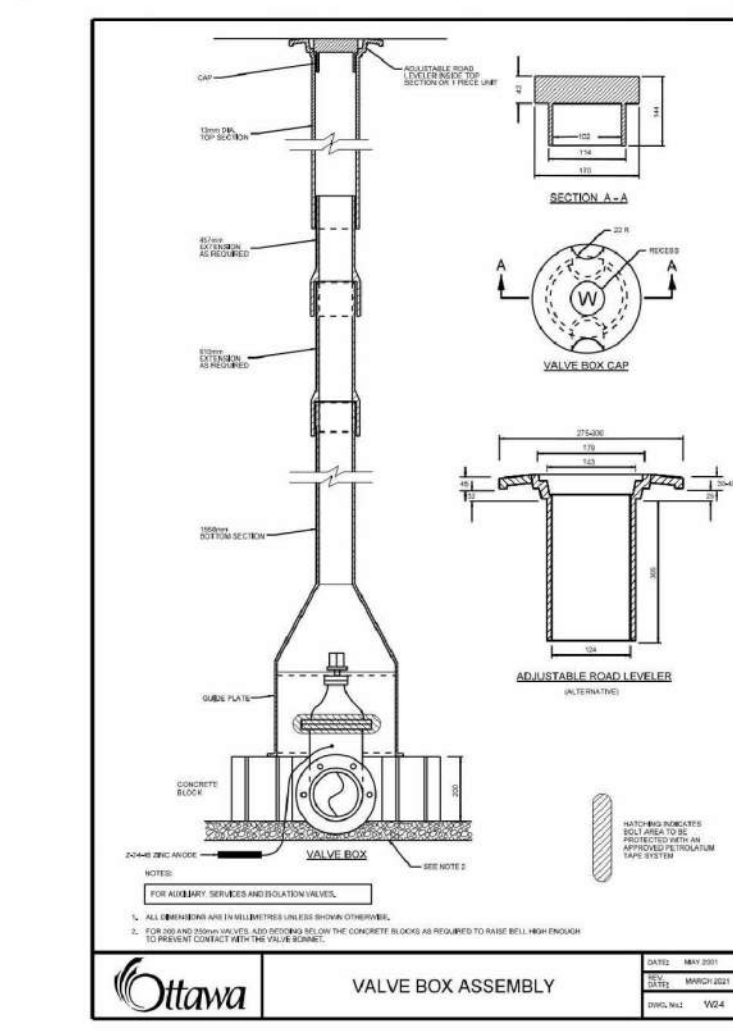
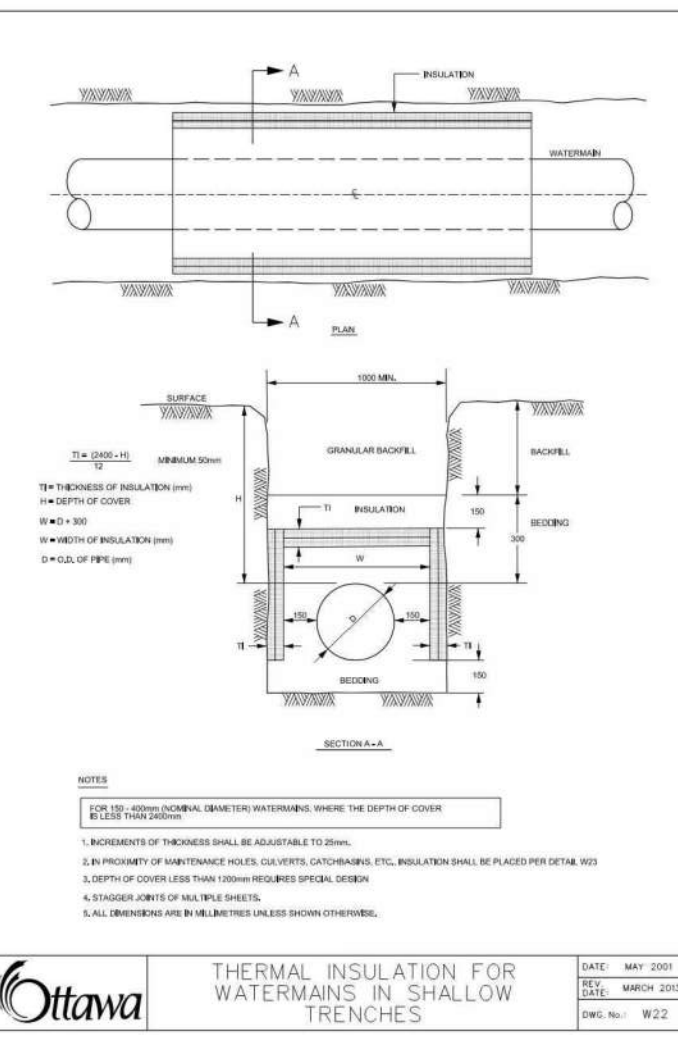
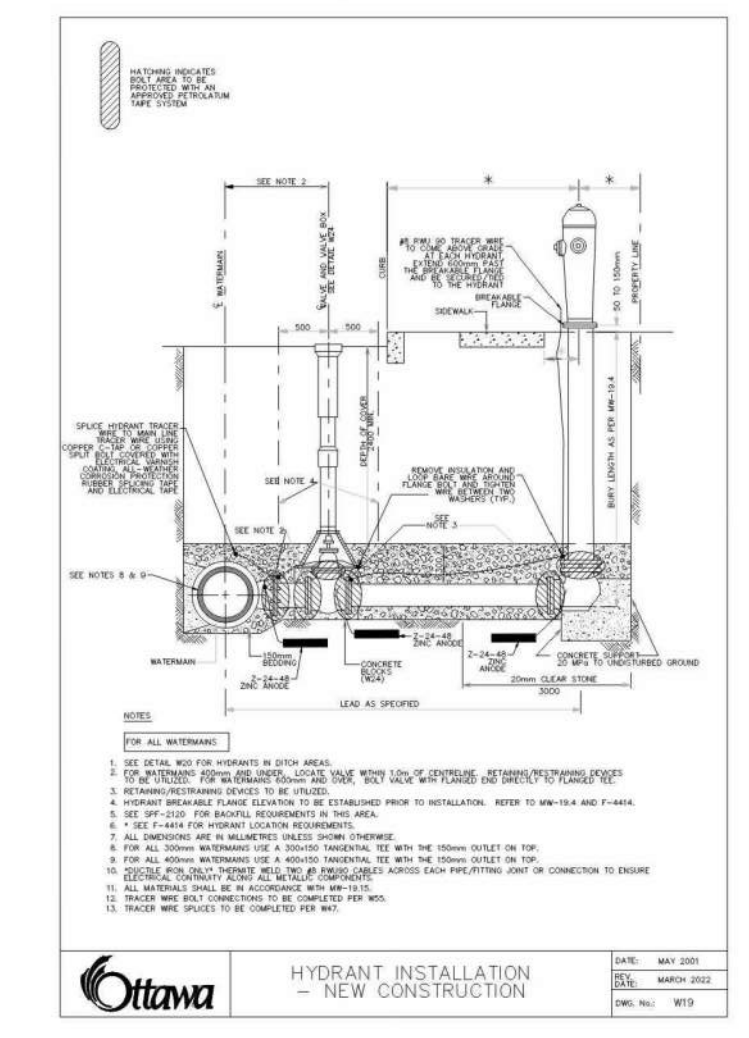
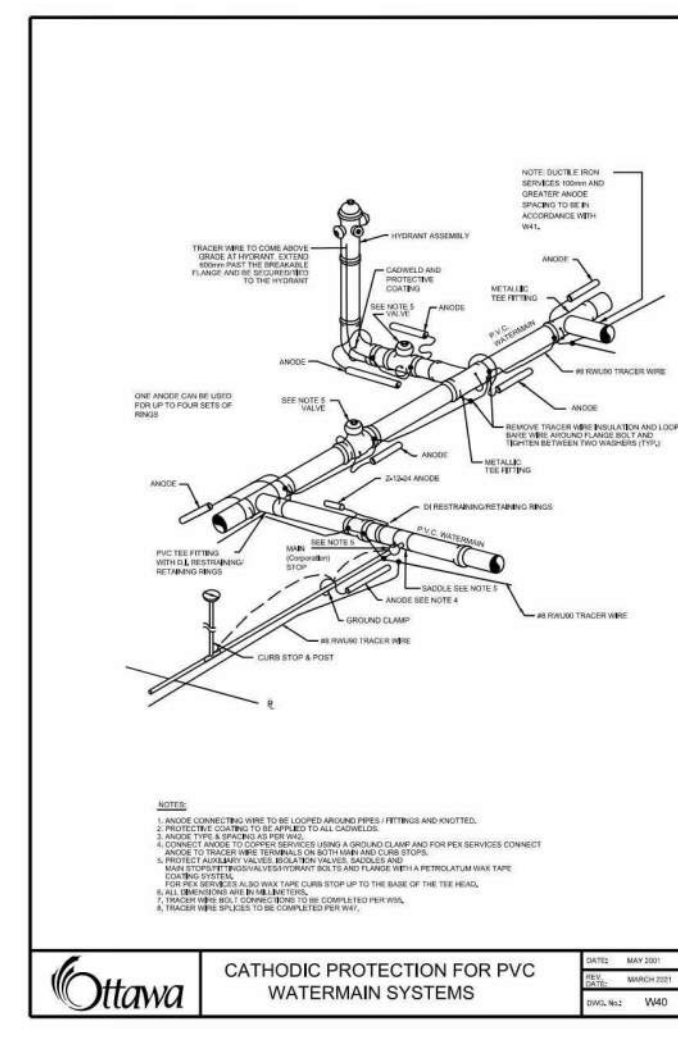
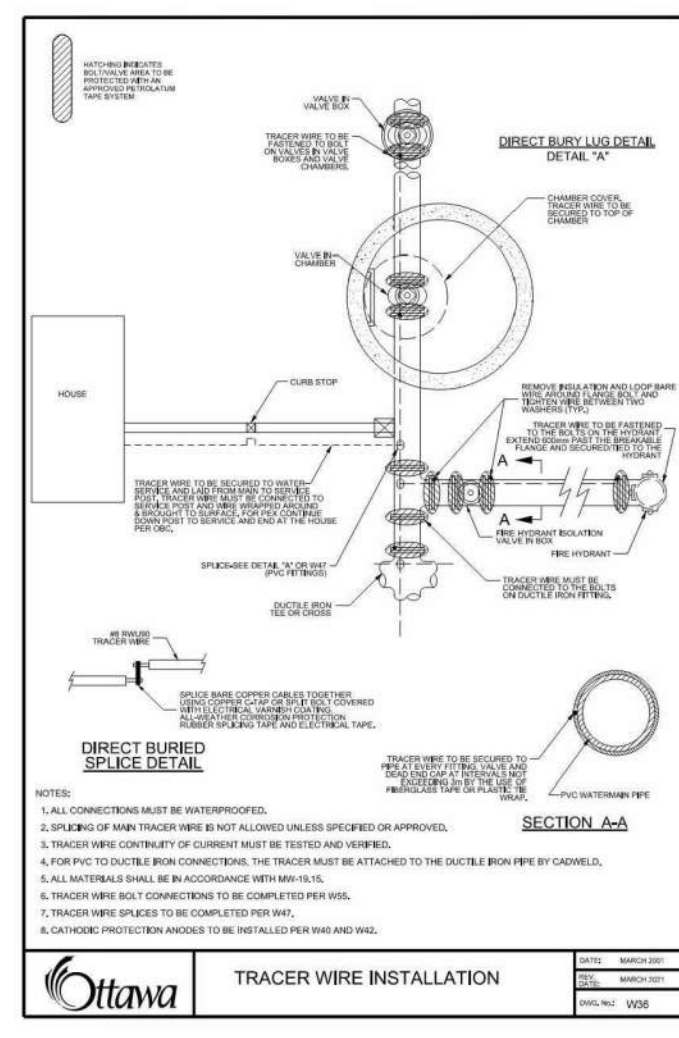
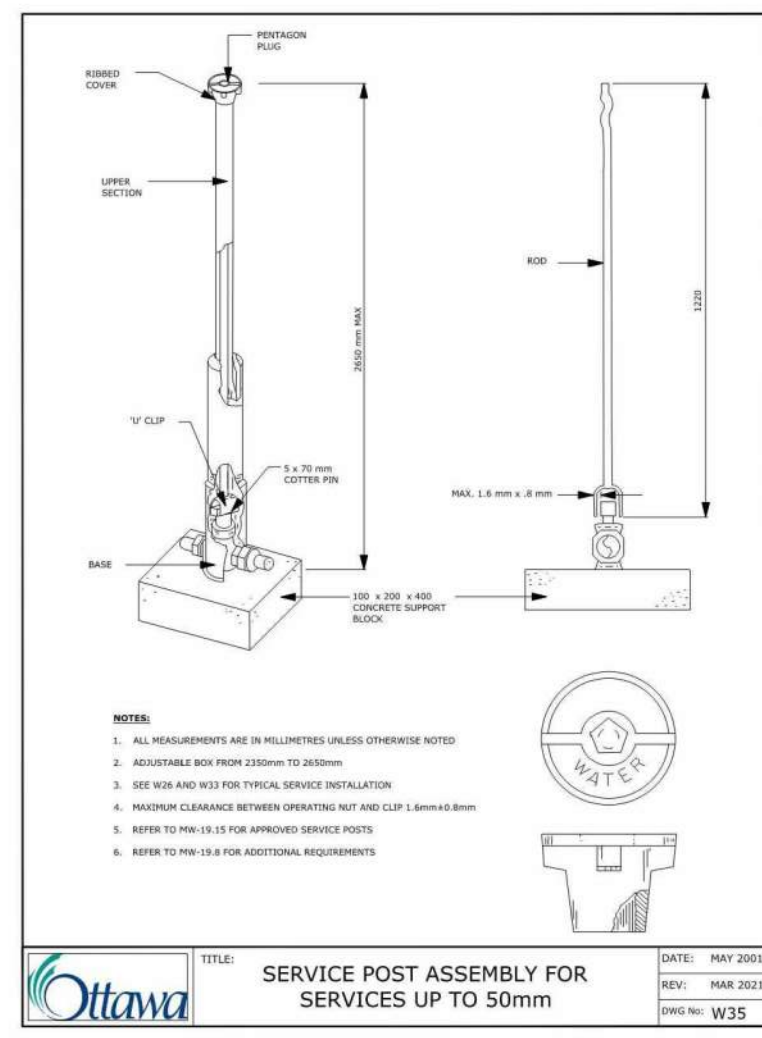
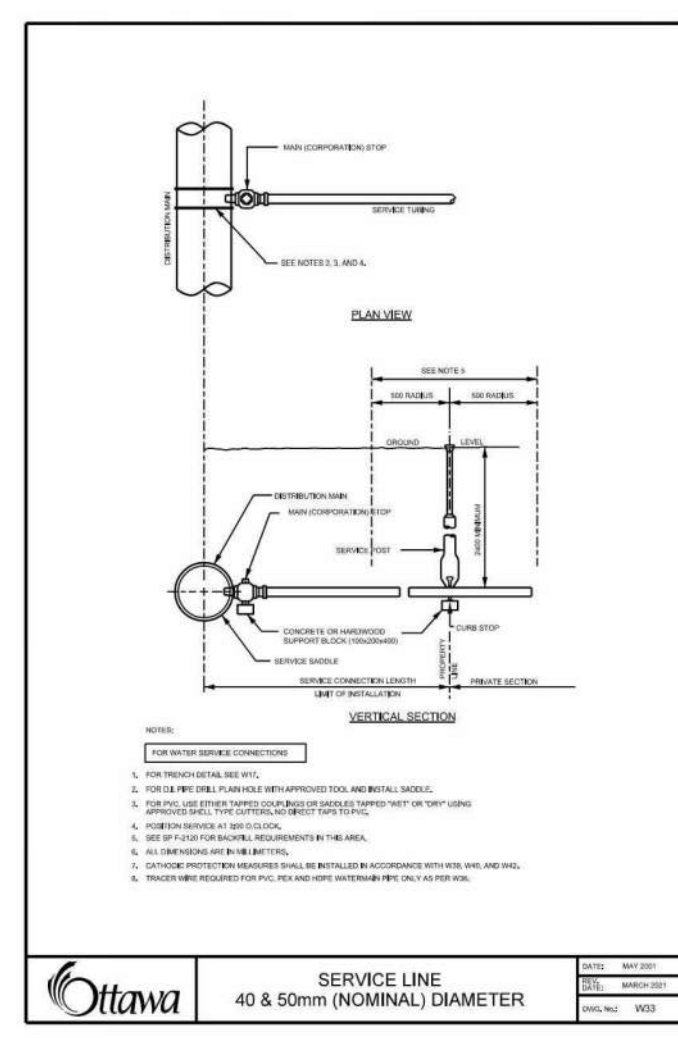
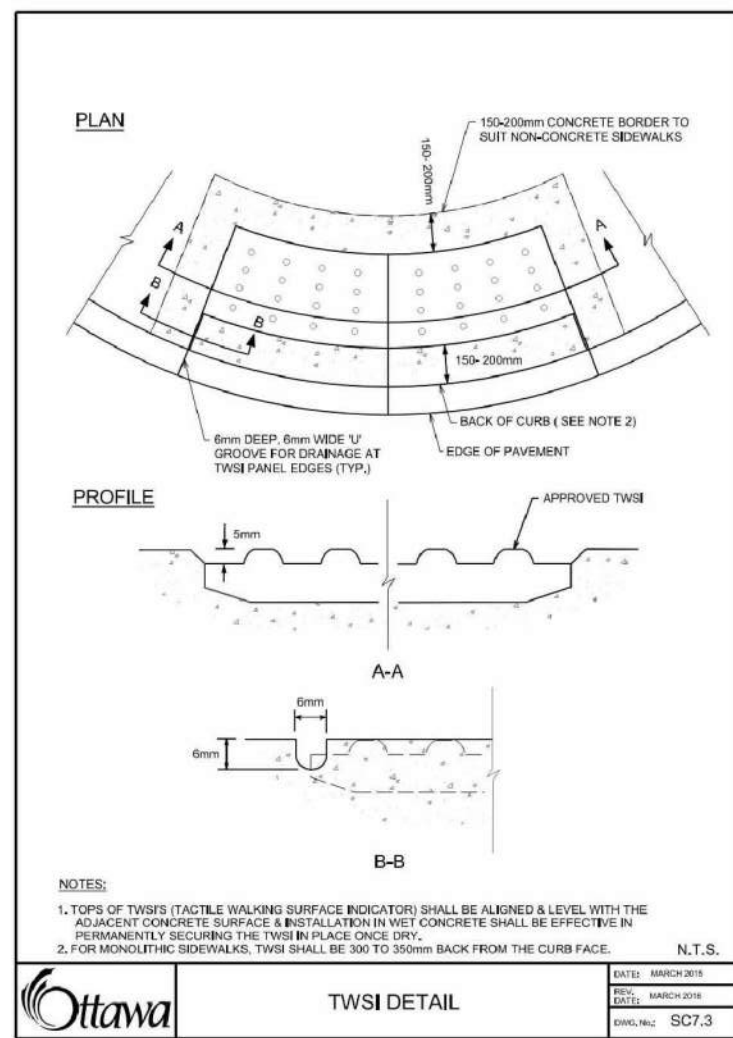
PROJECT: 3850 CAMBRIAN RD  
BARRHAVEN, ONTARIO  
DRAWING: DETAIL PAGE 1  
PROJECT NO: 478356  
PROJECT DATE: 2022-08-19  
DRAWN BY: [Signature]  
CHECKED BY: MT  
SCALE: NTS  
DRAWING NO: C104  
REV: [Signature]

#18884 D07-12-23-00-09

This drawing, as an instrument of service, is provided by and is the property of Turner Fleischer Architects Inc. The contractor must verify and accept responsibility for all dimensions and conditions of site and that they verify Turner Fleischer Architects Inc. of any variations from the approved information. This drawing is not to be used for any other project without the written consent of Turner Fleischer Architects Inc. The architect is not responsible for the accuracy of survey, structural, mechanical, electrical, etc. information shown on this drawing. Refer to the applicable codes and requirements of authorities having jurisdiction. The contractor working from drawings not specifically marked "For Contractor" must assume full responsibility and bear costs for any corrections or damages resulting from his work.



1223 MICHAEL STREET, SUITE 100, OTTAWA, ONTARIO K1J 1T2  
Tel: 613-738-4160 Fax: 613-739-7105



**THRUST BLOCK DIMENSION TABLES FOR PVC AND DI PIPE 400mm AND UNDER**

1. SIZE DESCRIPTION VERY FINE SANDS (SANDY CLAY CLASTS) SOILS WITH TYPICAL BEARING STRENGTH OF 100 TO 150 kPa

PIPE DIAMETER	A	B	C	D
100	200	200	200	200
150	300	300	300	300
200	400	400	400	400
250	500	500	500	500
300	600	600	600	600
350	700	700	700	700
400	800	800	800	800

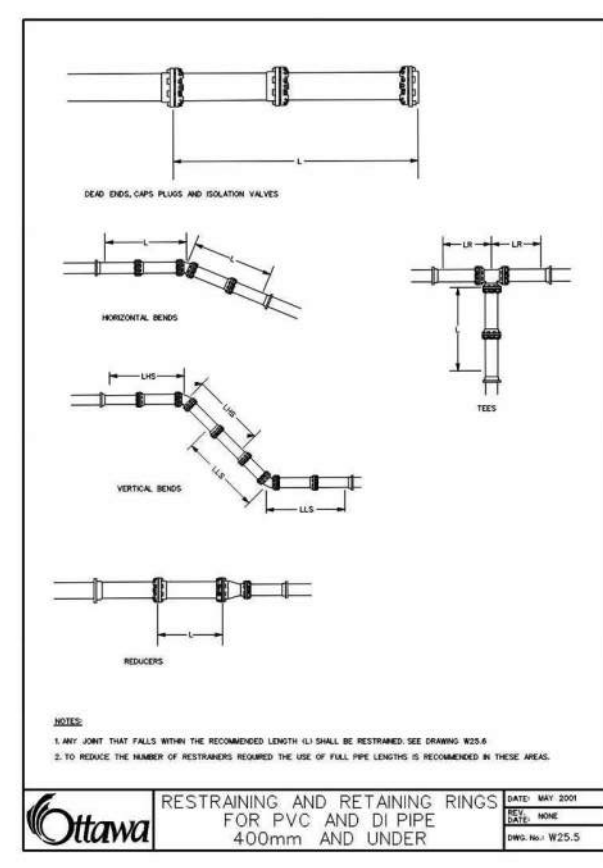
2. SIZE DESCRIPTION ST. SAND (SANDY CLAY SAND GRAVEL) SOILS WITH TYPICAL BEARING STRENGTH OF 200 TO 300 kPa

PIPE DIAMETER	A	B	C	D
100	200	200	200	200
150	300	300	300	300
200	400	400	400	400
250	500	500	500	500
300	600	600	600	600
350	700	700	700	700
400	800	800	800	800

3. SIZE DESCRIPTION SAND, GRAVEL AND GRAVEL SAND MIXTURES SOILS WITH TYPICAL BEARING STRENGTH OF 300 kPa AND OVER

PIPE DIAMETER	A	B	C	D
100	100	100	100	100
150	200	200	200	200
200	300	300	300	300
250	400	400	400	400
300	500	500	500	500
350	600	600	600	600
400	700	700	700	700

**Ottawa** THRUST BLOCK DIMENSION TABLES FOR PVC AND DI PIPE 400mm AND UNDER  
DATE: 08/2022  
DRAWN BY: MTD  
CHECKED BY: MT  
SCALE: N.T.S.  
PROJECT NO.: 478356

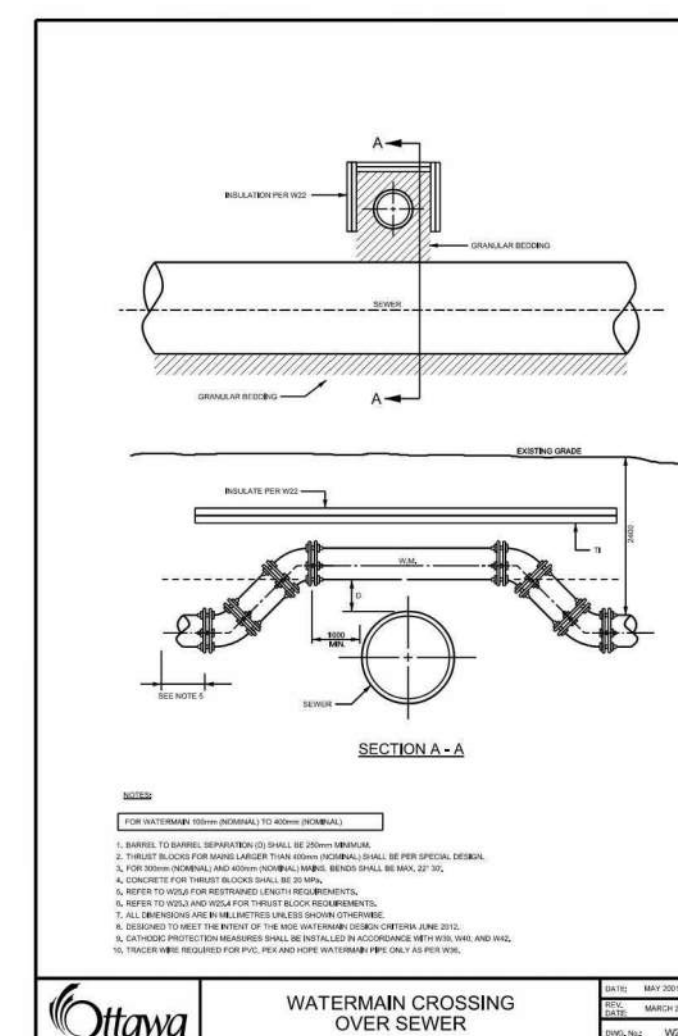
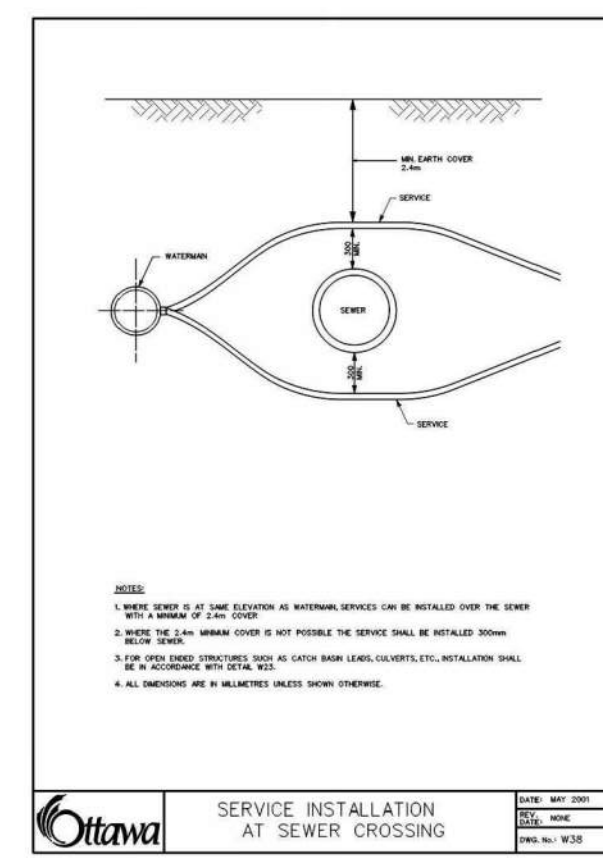


**TABLES OF RESTRAINED LENGTHS FOR PVC AND DI PIPE 400mm AND UNDER**

TABLE OF RESTRAINED LENGTHS FOR PVC AND DI PIPE 400mm AND UNDER

PIPE DIAMETER (RESTRAINED)	RESTRAINED LENGTHS (m)			
	100mm	150mm	200mm	300mm
100mm	1.5	1.5	1.5	1.5
150mm	1.5	1.5	1.5	1.5
200mm	1.5	1.5	1.5	1.5
300mm	1.5	1.5	1.5	1.5

**Ottawa** TABLES OF RESTRAINED LENGTHS FOR PVC AND DI PIPE 400mm AND UNDER  
DATE: 08/2022  
DRAWN BY: MTD  
CHECKED BY: MT  
SCALE: N.T.S.  
PROJECT NO.: 478356



#	DATE	DESCRIPTION	BY
2	2023-10-20	RE-ISSUED FOR SPA	BY
1	2023-04-28	ISSUED FOR SPA	BY



PROJECT  
**3850 CAMBRIAN RD**  
BARRHAVEN, ONTARIO

DRAWING  
**DETAIL PAGE 2**

PROJECT NO.  
478356  
PROJECT DATE  
2022-08-19  
DRAWN BY  
BY  
CHECKED BY  
MT  
SCALE  
NTS

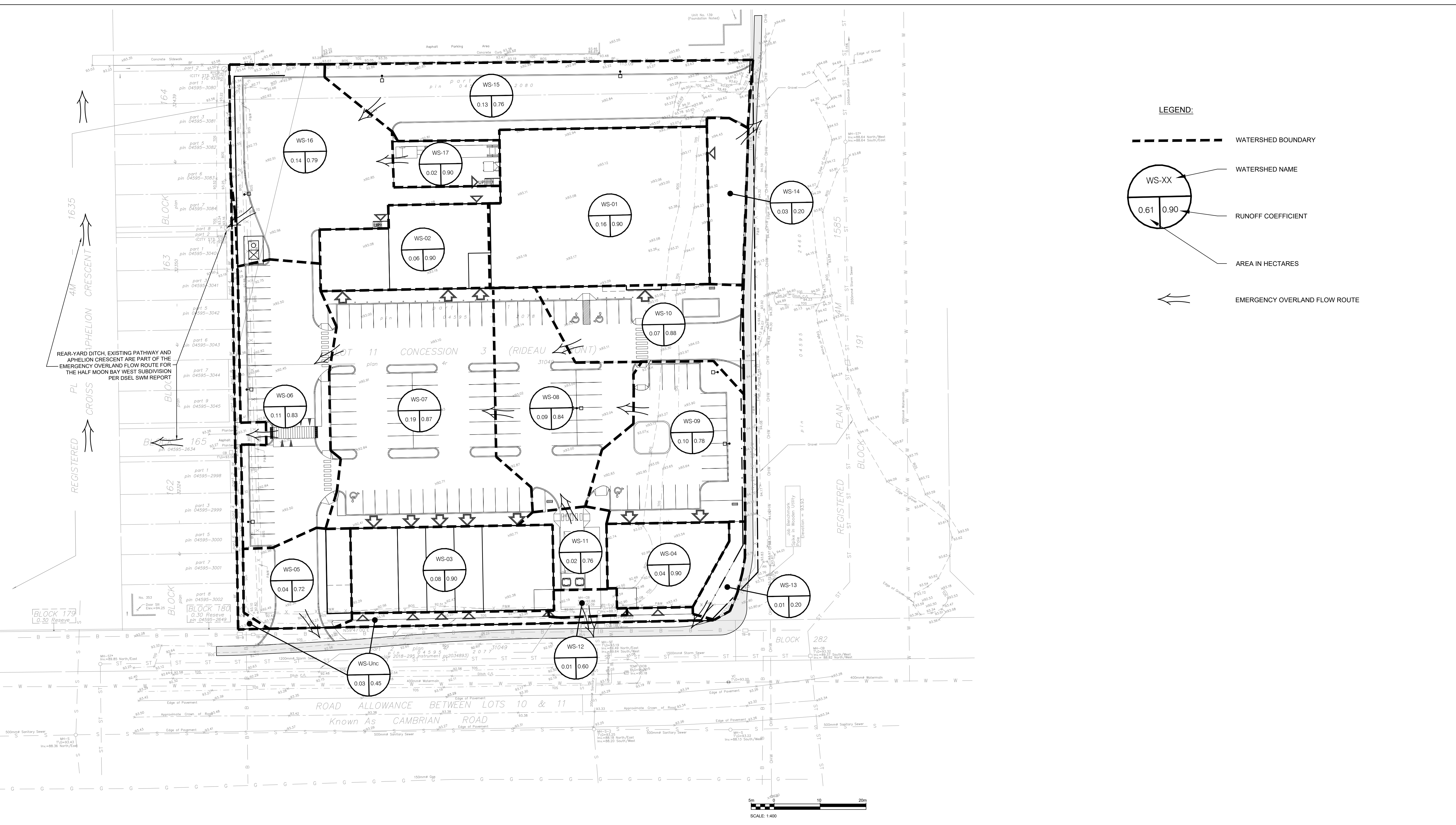


DRAWING NO.  
**C105**  
REV.

This drawing, as an instrument of service, is provided by and is the property of Turner Fleischer Architects Inc. The contractor must verify and accept responsibility for all dimensions and conditions on site and must notify Turner Fleischer Architects Inc. of any variations from the approved information. This drawing is not to be used for any other purpose without the written consent of Turner Fleischer Architects Inc. The contractor must conform to all applicable codes and requirements of authorities having jurisdiction. The contractor working from drawings not specifically marked 'For Contractor' must assume full responsibility and bear costs for any corrections or damages resulting from its work.



1223 MICHEL STREET, SUITE 100, OTTAWA, ONTARIO K1J 1T2  
 Tel: 613-728-4160 Fax: 613-729-7105



**LEGEND:**

- WATERSHED BOUNDARY
- WATERSHED NAME
- RUNOFF COEFFICIENT
- AREA IN HECTARES
- ⇐ EMERGENCY OVERLAND FLOW ROUTE



2	2023-10-20	RE-ISSUED FOR SPA	BY
1	2023-04-26	ISSUED FOR SPA	BY
#	DATE	DESCRIPTION	BY



**PROJECT**  
**3850 CAMBRIAN RD**  
 BARRHAVEN, ONTARIO

**DRAWING**  
**POST-DEVELOPMENT DRAINAGE AREAS**

PROJECT NO. 478356	
PROJECT DATE 2022-08-19	
DRAWN BY BV	
CHECKED BY MT	
SCALE As indicated	
DRAWING NO. <b>C106</b>	

#18884 D07-12-23-00-09