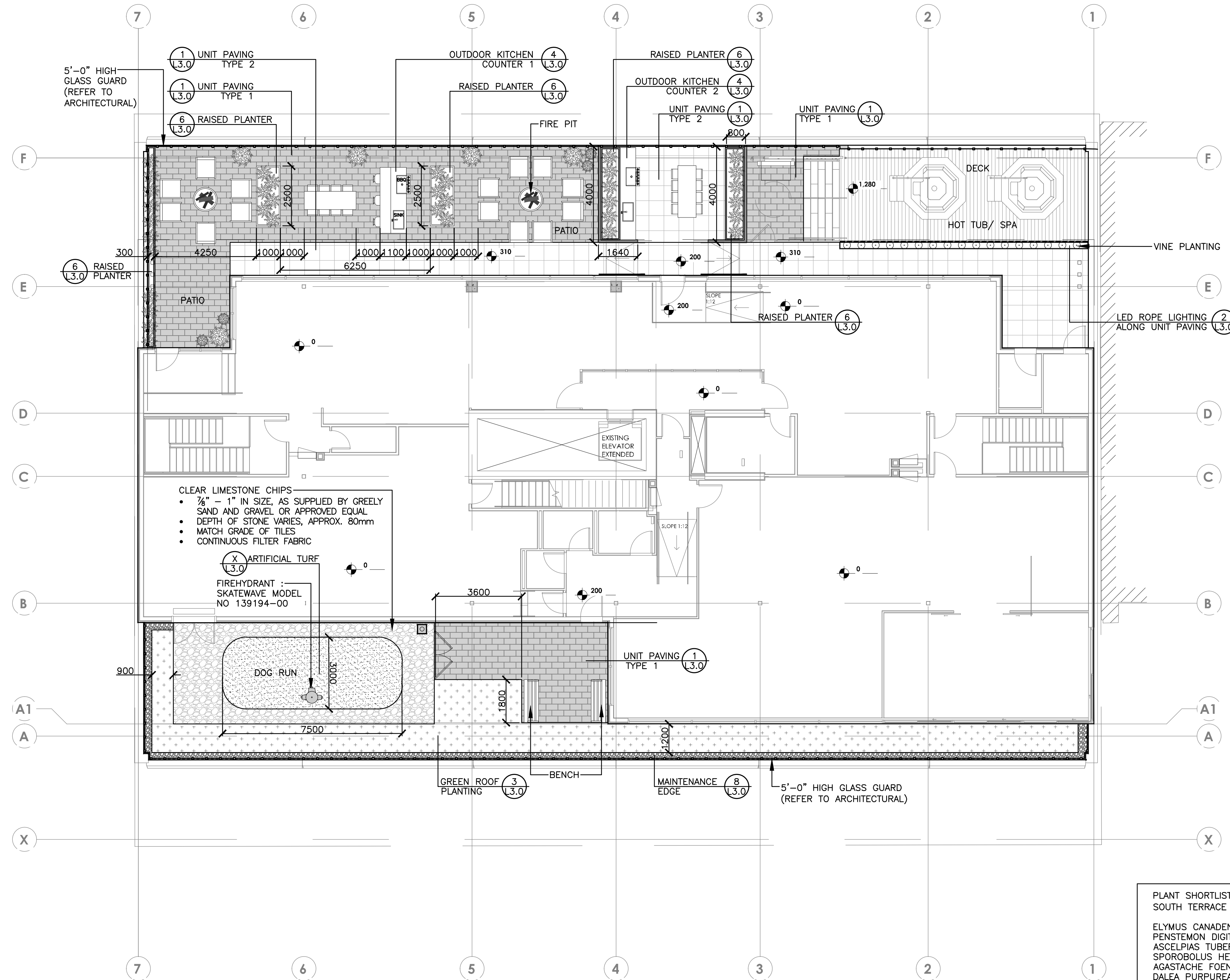








- LEGEND:
- UNIT PAVERS - TYPE 1
  - UNIT PAVERS - TYPE 2
  - WOOD DECKING
  - CLEAR LIMESTONE CHIPS PAVING
  - ARTIFICIAL TURF
  - GREEN ROOF PLANTING
  - MAINTENANCE EDGE
  - GUARDRAIL
  - 5'-0" HIGH GLASS GUARDRAIL (REFER TO ARCHITECTURAL)



PLANT SHORTLIST FOR GREENROOF - MAXX 8"  
SOUTH TERRACE AREA: 55.5 M<sup>2</sup>

ELYMUS CANADENSIS  
PENSTEMON DIGITALIS  
ASCLEPIAS TUBEROSA  
SPOROBOLUS HETEROLEPIS  
AGASTACHE FOENICULUM  
DALEA PURPUREA  
ECHINACEA POWWOW WHITE  
SEDUM AIZOON 'EUPHORBIOIDES'

NORTH TERRACE PLANTERS AREA: 13.5 M<sup>2</sup>  
TOTAL PLANTING AREA: 69 M<sup>2</sup>

No.	Revision	Date
4	ISSUED FOR SPA 3	13 OCT, 2023
3	ISSUED FOR SPA 2	20 JUL, 2023
2	ISSUED FOR SPA	20 APR, 2023
1	ISSUED FOR COORDINATION	14 APR, 2023

North:

Stamp:

**CSW** Landscape Architecture  
Urban Design  
Site Planning  
Recreation and Park Planning  
Project Management

319 McRae Avenue, Suite 502, Ottawa, Ontario, K1Z 0B9  
Tel: (613) 729-4536

- All measurements in millimeters unless specified otherwise. Do not scale drawing. All drawings to be read in conjunction with written specifications.
- Copyright reserved. This drawing is the exclusive property of CSW Landscape Architects Ltd. and shall not be used without the consent thereof.
- This Drawing may not be used for construction until signed by the landscape architect. It is the responsibility of the contractor to:
  - check and verify all dimensions on site;
  - report all errors and/or omissions to the landscape architect;
  - comply with all pertinent codes and by-laws;
  - check and verify locations of all underground services with all local utilities prior to any digging.

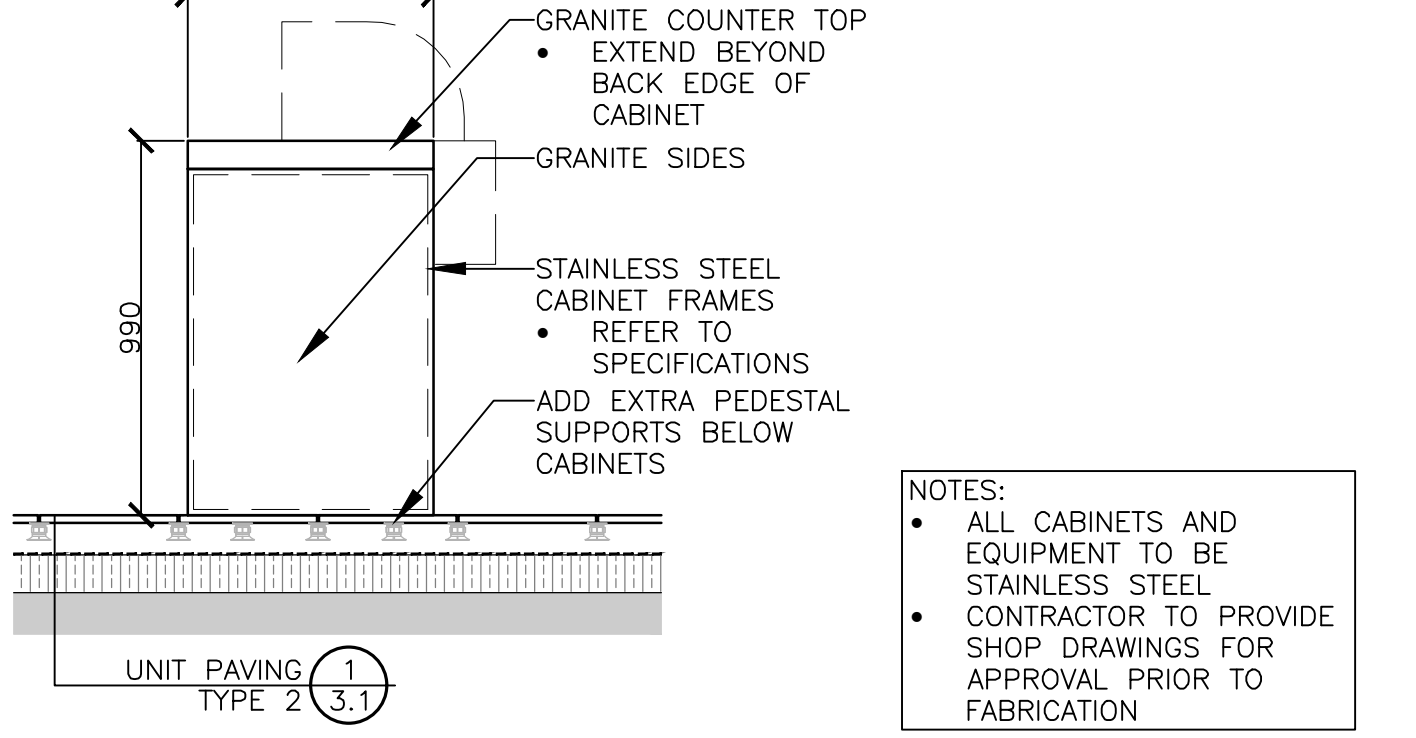
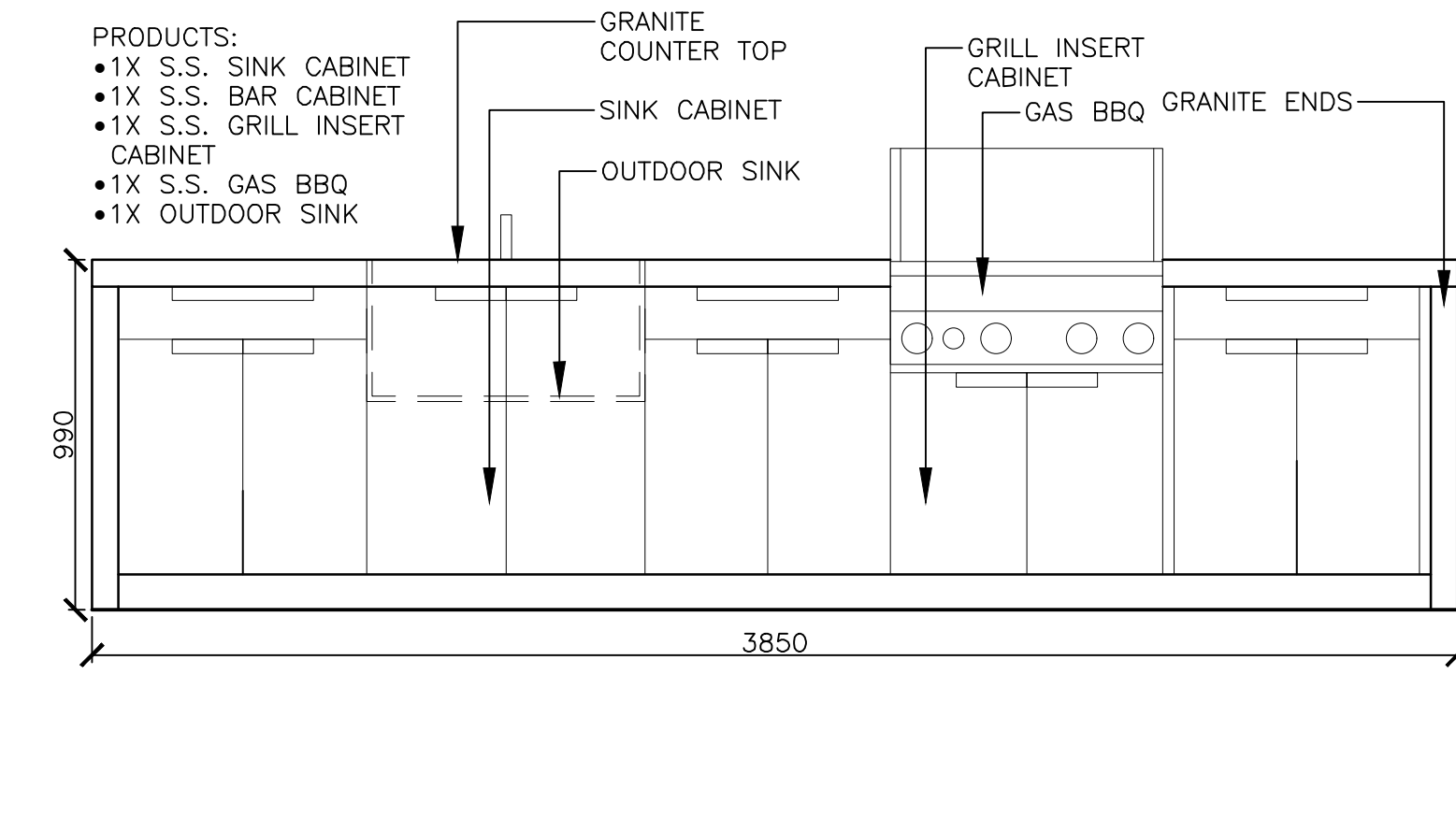
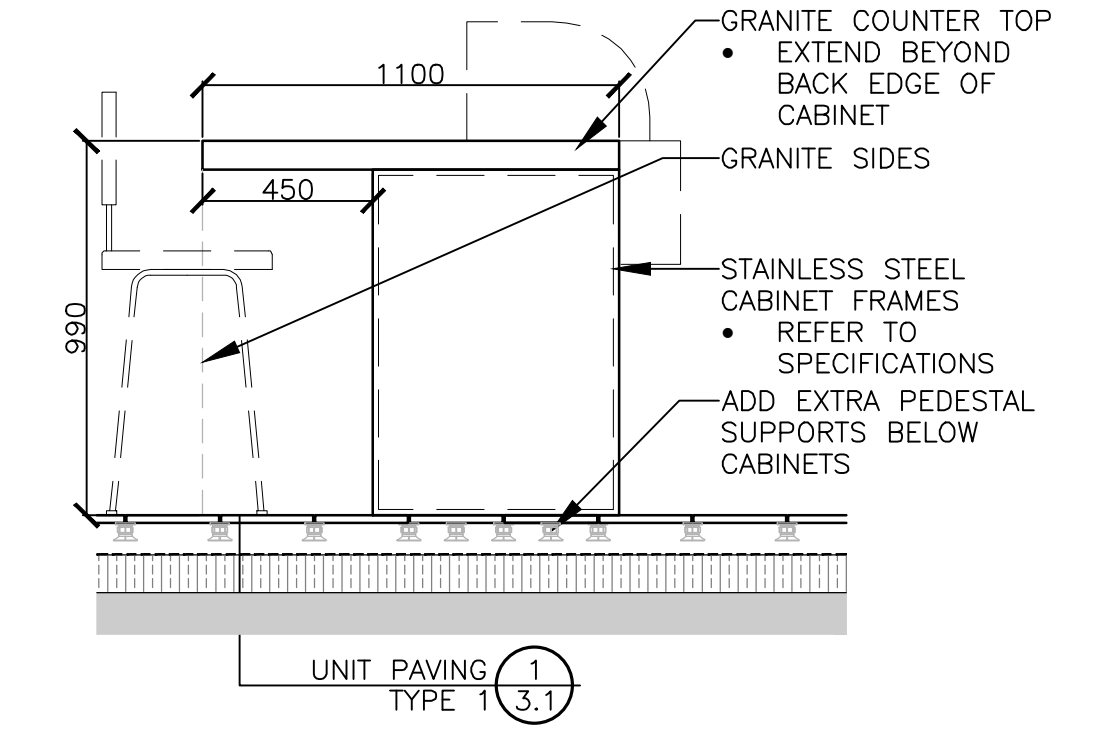
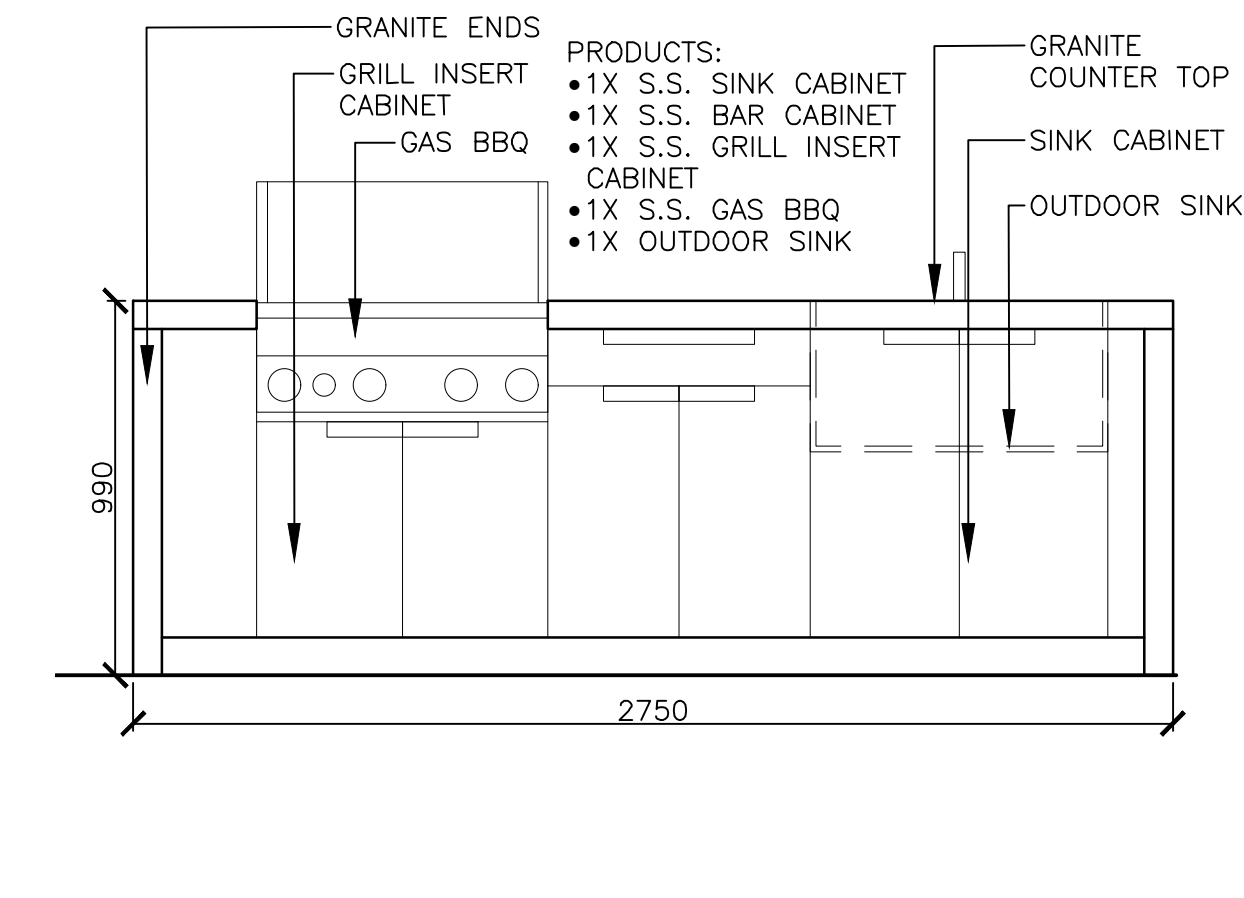
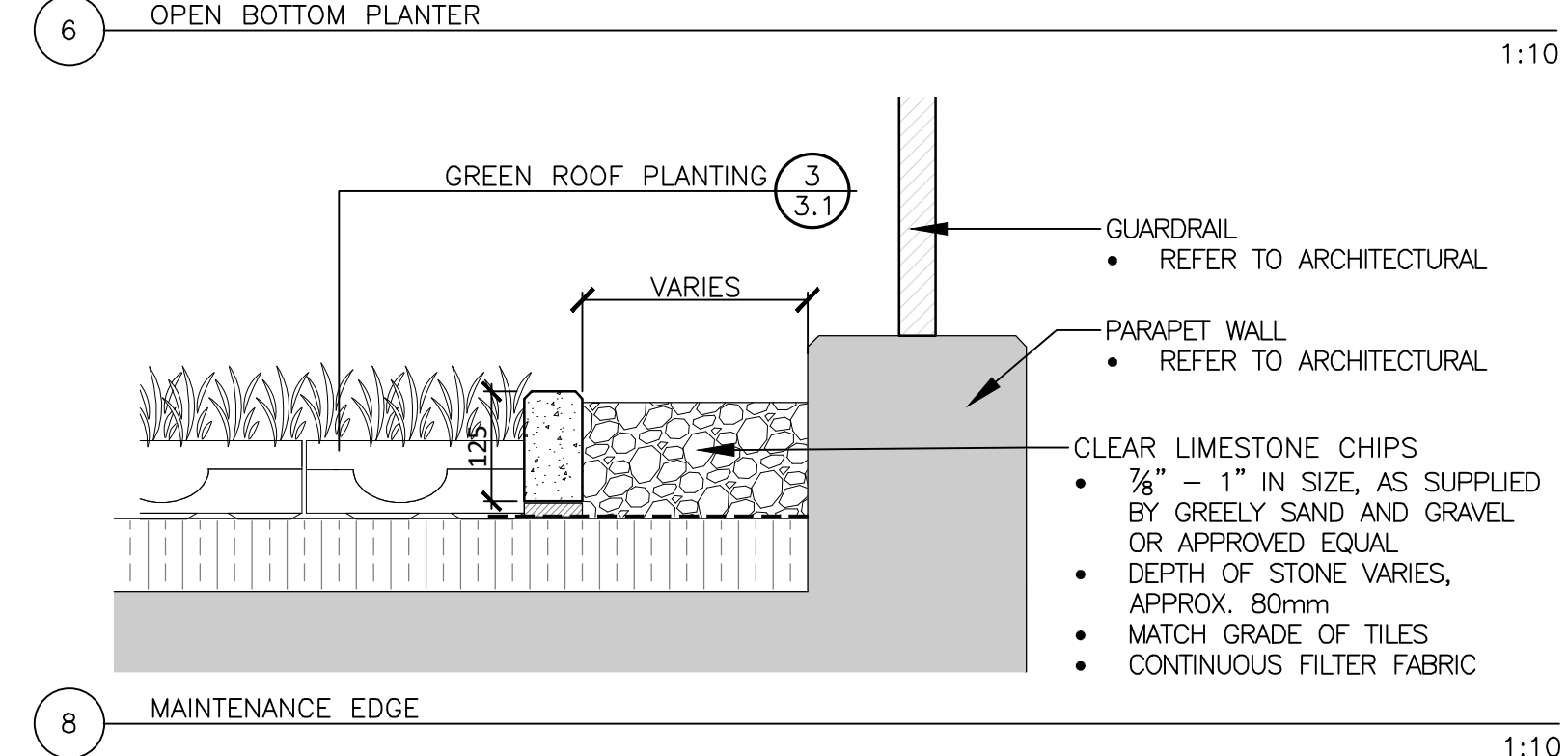
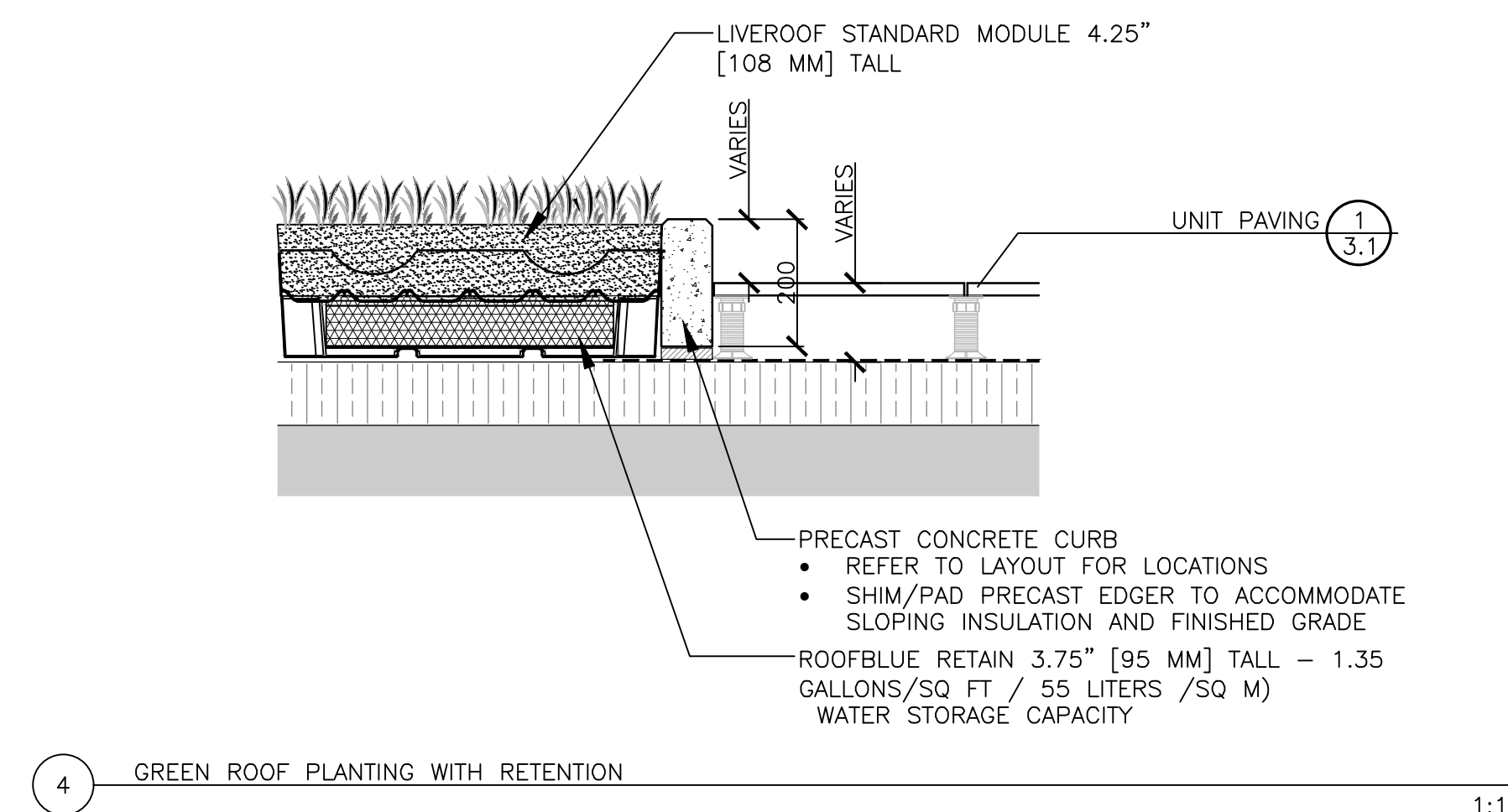
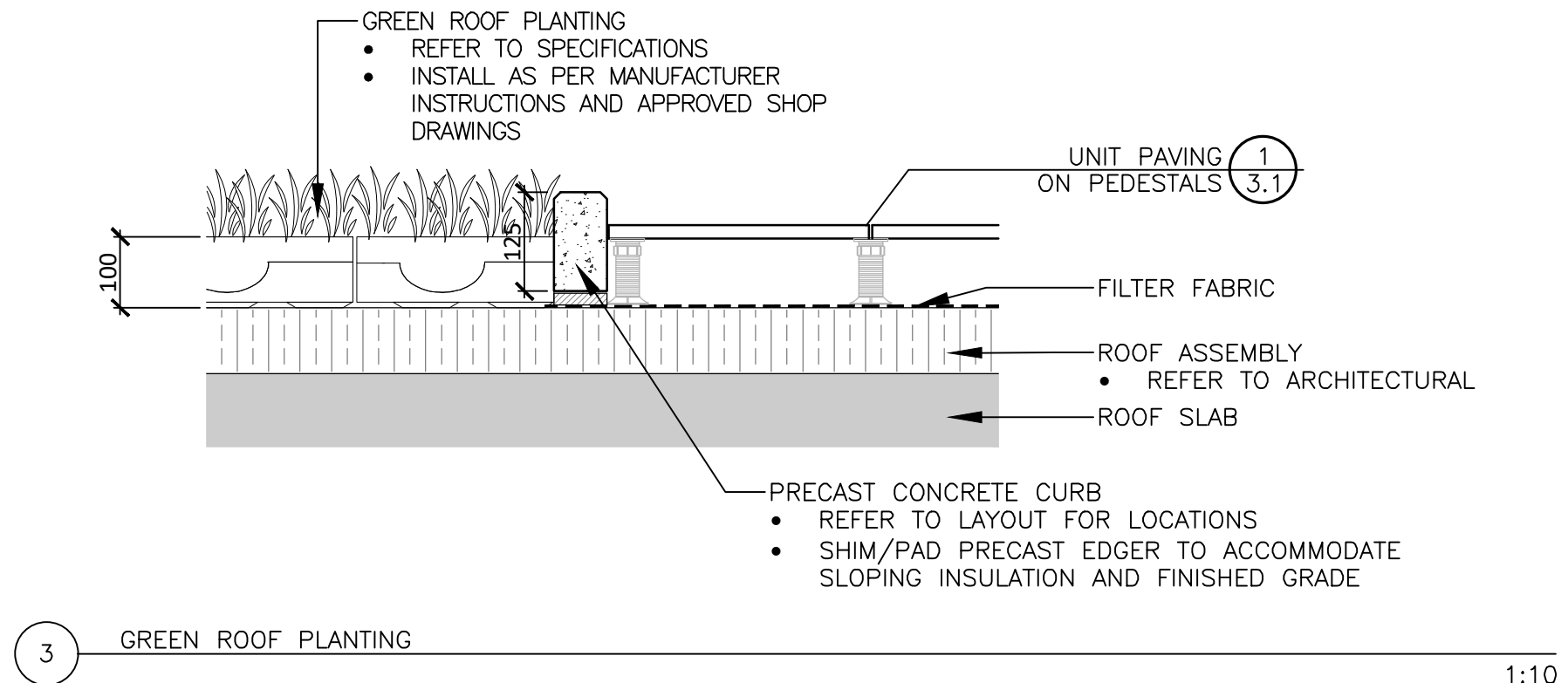
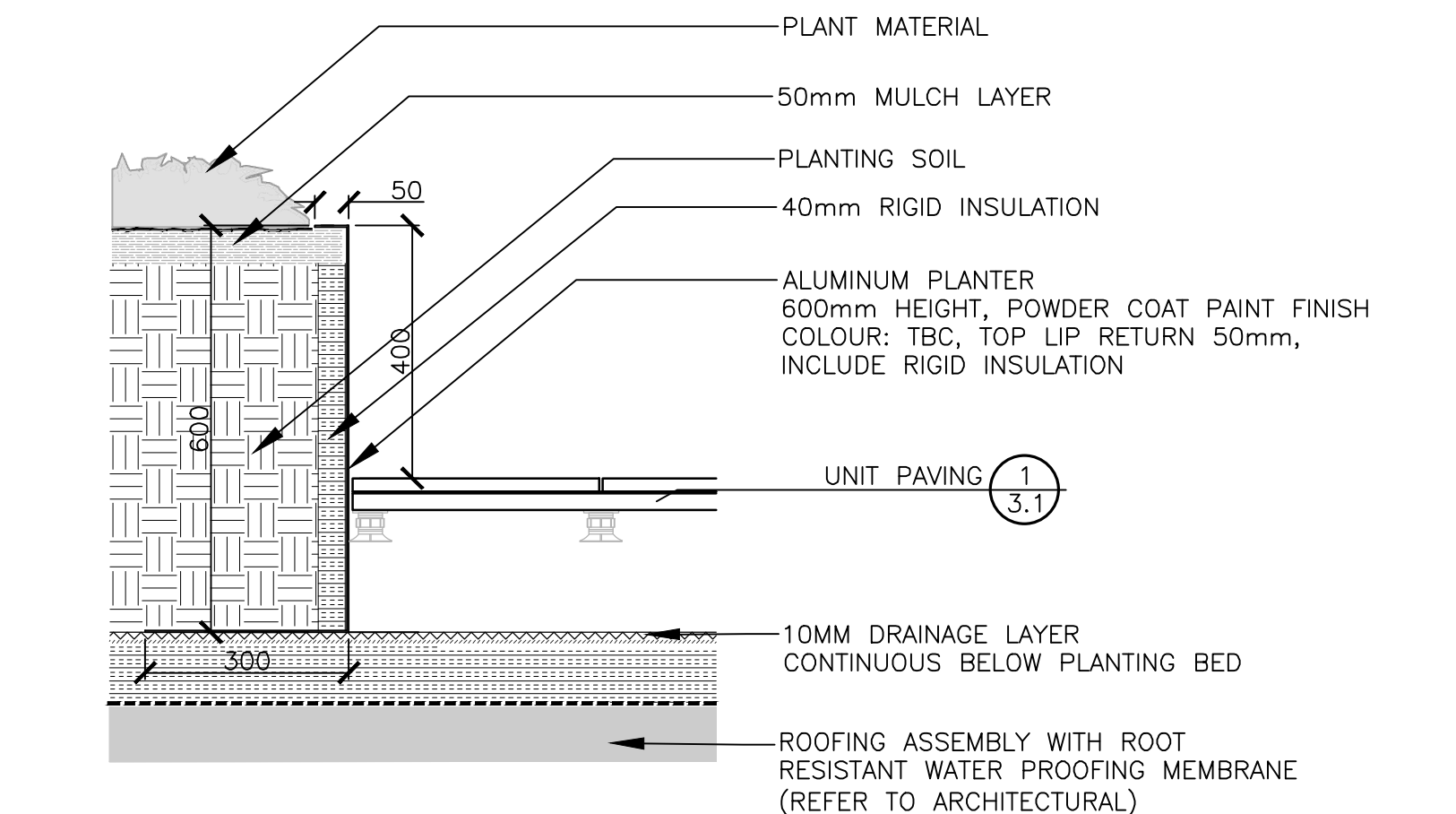
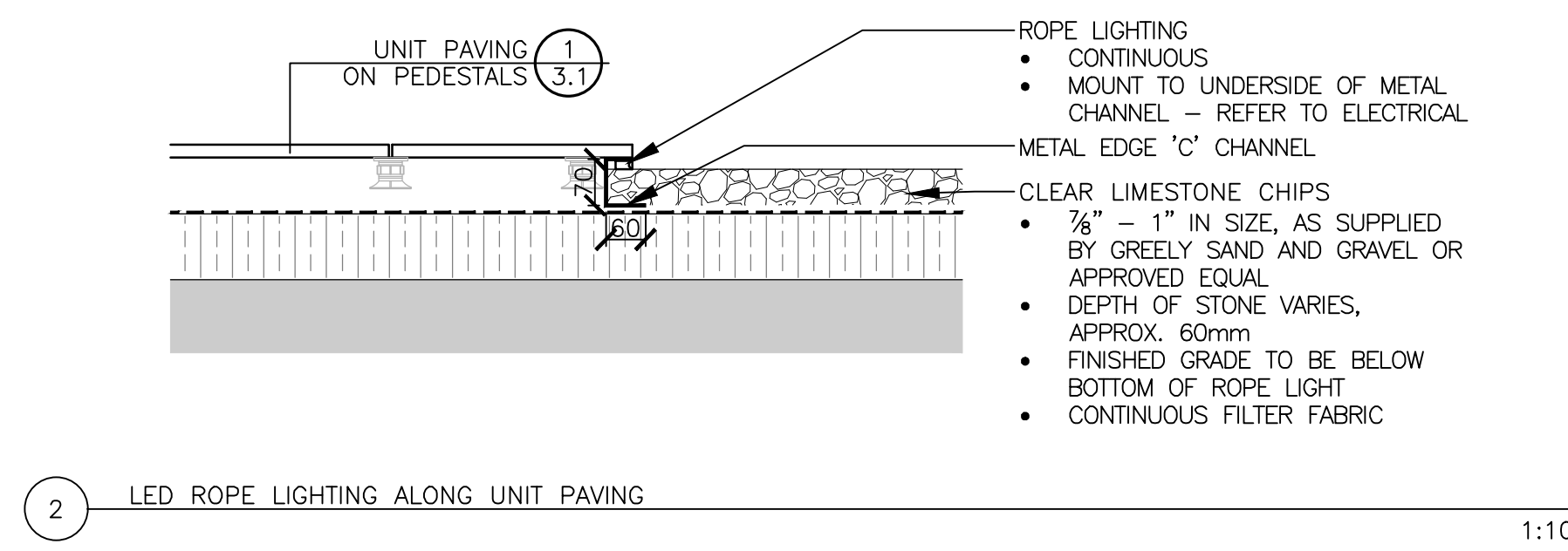
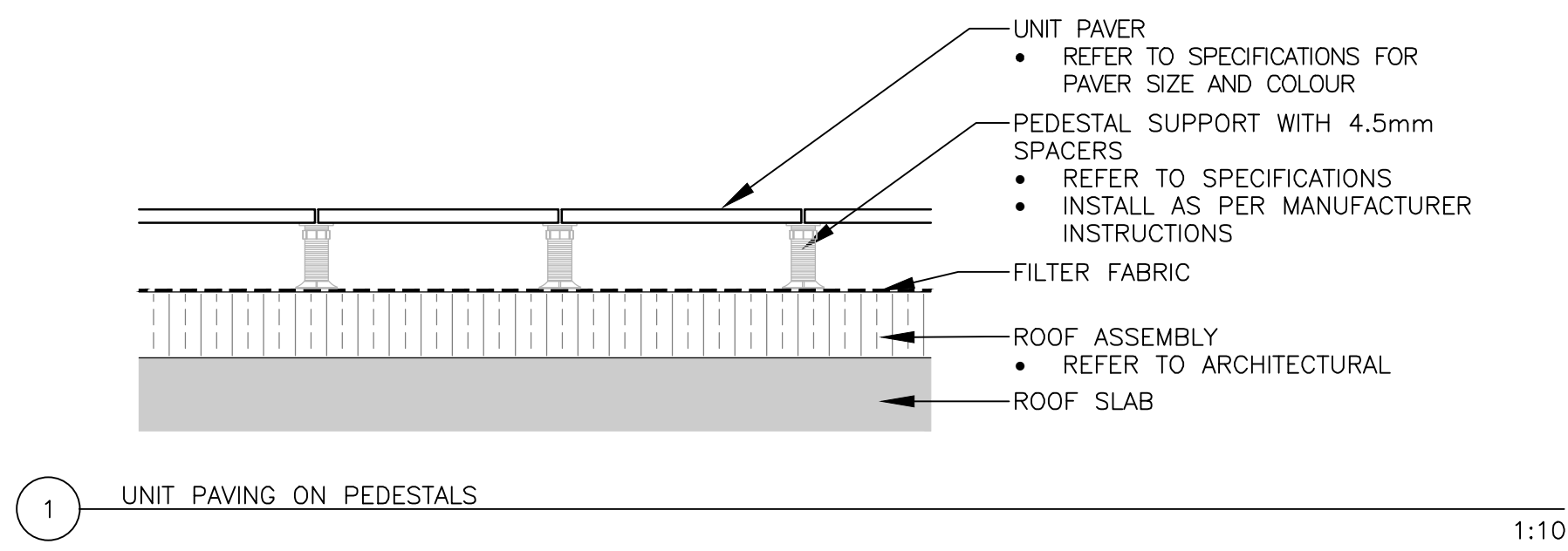
Project: **CLV 360 LAURIER**

360 LAURIER STREET  
OTTAWA, ONTARIO

Drawing: **LANDSCAPE PLAN  
Roof Terrace**

Scale: 1:100	Date: MARCH 2023
Design By: CM	Drawn By: SW
Project Number: 2161-01	Sheet Number: L2.0





4 OUTDOOR KITCHEN

No.	Revision	Date
5		
4	ISSUED FOR SPA 3	13 OCT 2023
3	ISSUED FOR SPA 2	20 JUL 2023
2	ISSUED FOR SPA	20 APR 2023
1	ISSUED FOR COORDINATION	14 APR 2023

North:	Stamp:
--------	--------

**CSW** Landscape Architecture  
 Urban Design  
 Site Planning  
 Recreation and Park Planning  
 Project Management

319 McRae Avenue, Suite 502, Ottawa, Ontario, K1Z 0B9  
 Tel: (613) 729-4536

- GENERAL NOTES:
- All measurements in millimeters unless specified otherwise. Do not scale drawing. All drawings to be read in conjunction with written specifications.
  - Copyright reserved. This drawing is the exclusive property of CSW Landscape Architects Ltd. and shall not be used without the consent thereof.
  - This Drawing may not be used for construction until signed by the landscape architect. It is the responsibility of the contractor to:
    - check and verify all dimensions on site;
    - report all errors and/or omissions to the landscape architect;
    - comply with all pertinent codes and by-laws;
    - check and verify locations of all underground services with all local utilities prior to any digging.

Project:

**CLV  
360 LAURIER**

360 LAURIER STREET  
OTTAWA, ONTARIO

Drawing:  
**LANDSCAPE DETAILS**

Scale: AS NOTED	Date: MARCH 2023
Design By: CM	Drawn By: SW
Project Number: 2161-01	Sheet Number: L3.0

Last Save: 10/13/2023 12:02:58 PM  
 File Location: Z:\Projects\2161-01 CLV-360 Laurier\Drawings\03-DD 66%\02161-01 CLV-360 Laurier\_DD 66%\Details\RT.dwg