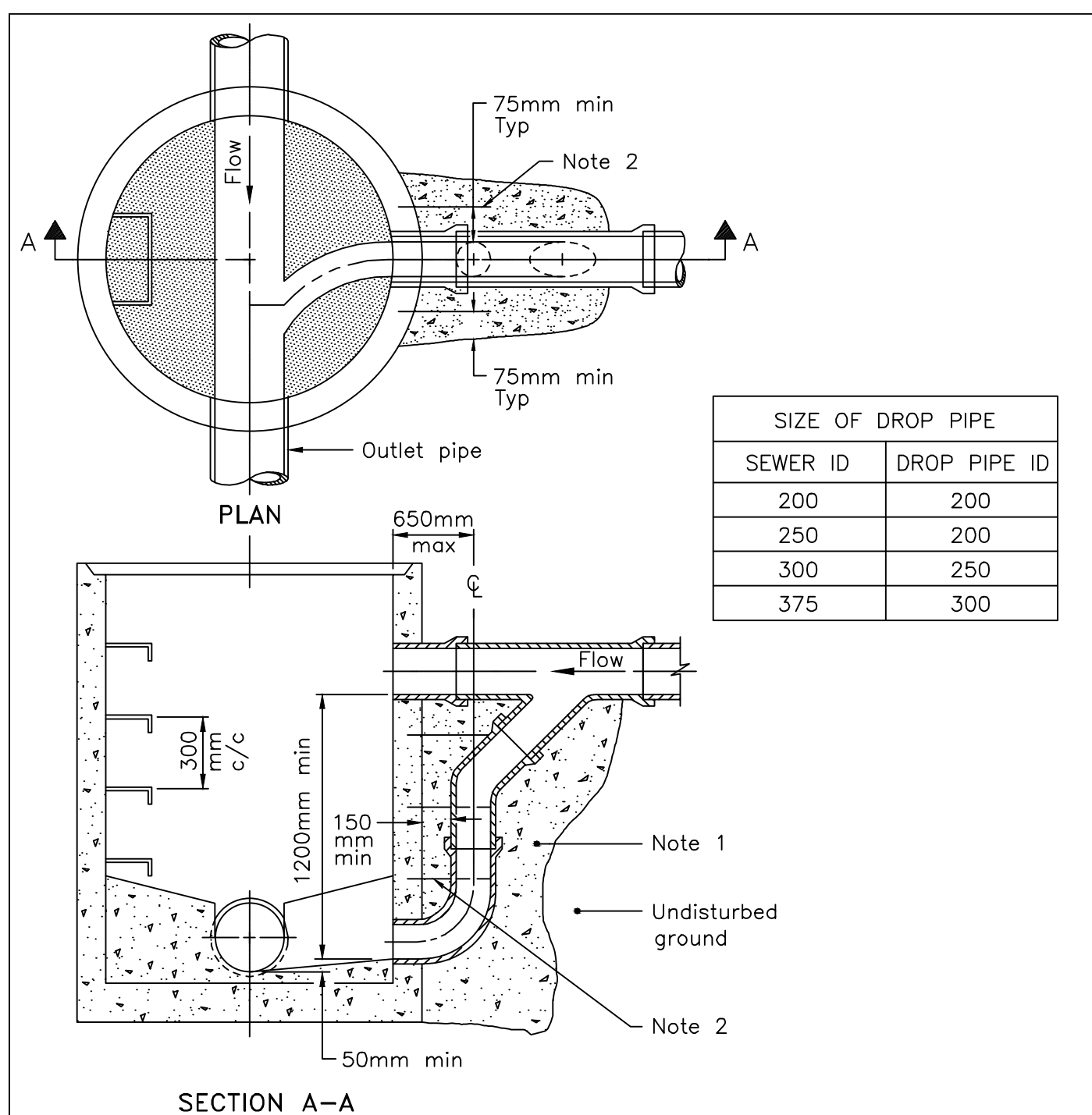


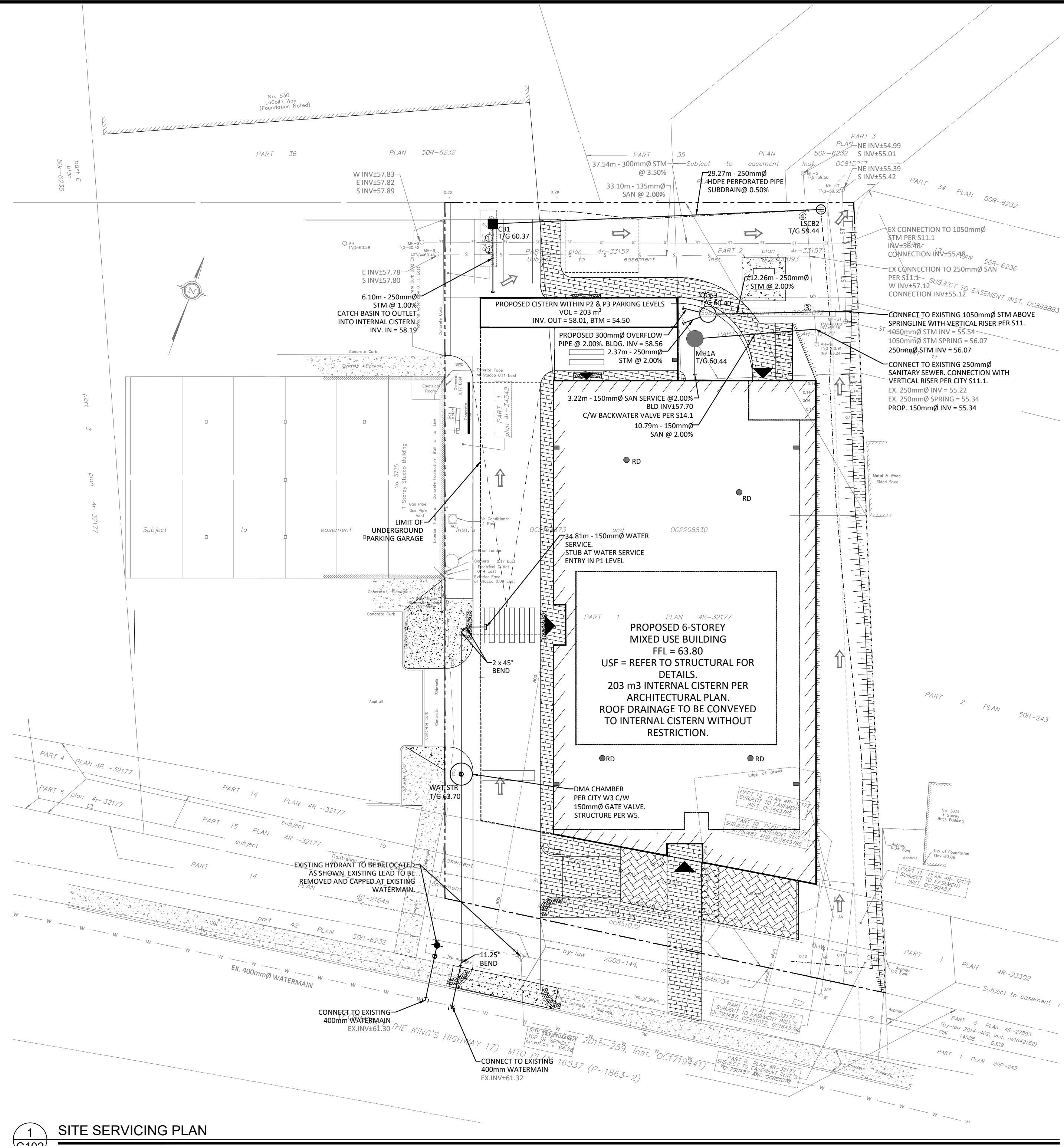
NOTES:
 1. ALL DIMENSIONS ARE IN MILLIMETRES UNLESS OTHERWISE SHOWN.
 2. FOR DITCHED PIPE APPLICATIONS, TOP OF CS SHALL BE MIN. 50mm ABOVE BOTTOM OF THE DITCH/SWALE AND BE LOCATED MIN. 2m FROM EDGE OF PAVEMENT.
 3. WHEN NON PERFORATED PIPE IS USED, MATCH THE 1/3 HORIZONTAL OPENING DIAMETERS TO THE PIPE DIAMETER AND CONNECT WITH MANUFACTURER RECOMMENDED CONNECTION SLEEVE.
 4. SEE MS-22.16 FOR ALTERNATE APPROVED FITTING MANUFACTURERS.

CATCH BASIN - ELBOW FOR REAR YARD, DITCHED PIPE AND LANDSCAPING APPLICATIONS
 DATE: MARCH 2007
 REV. DATE: MARCH 2019
 DWG. No.: S31



NOTES:
 1. Concrete shall be placed to undisturbed ground and the outside face of the maintenance hole, but there shall be a minimum of 150mm of 15MPa concrete around the drop pipe.
 2. Concrete shall be secured to the maintenance hole with 450mm long, 13mm diameter threaded rods and drilled expansion anchors down either side of the drop pipe at 300mm centres.
 A. All dimensions are in millimetres unless otherwise shown.

ONTARIO PROVINCIAL STANDARD DRAWING
 Nov 2016 Rev 3
 CAST-IN-PLACE MAINTENANCE HOLE DROP STRUCTURE WYE
 OPSD 1003.020



1 SITE SERVICING PLAN
 1:250

GENERAL NOTES

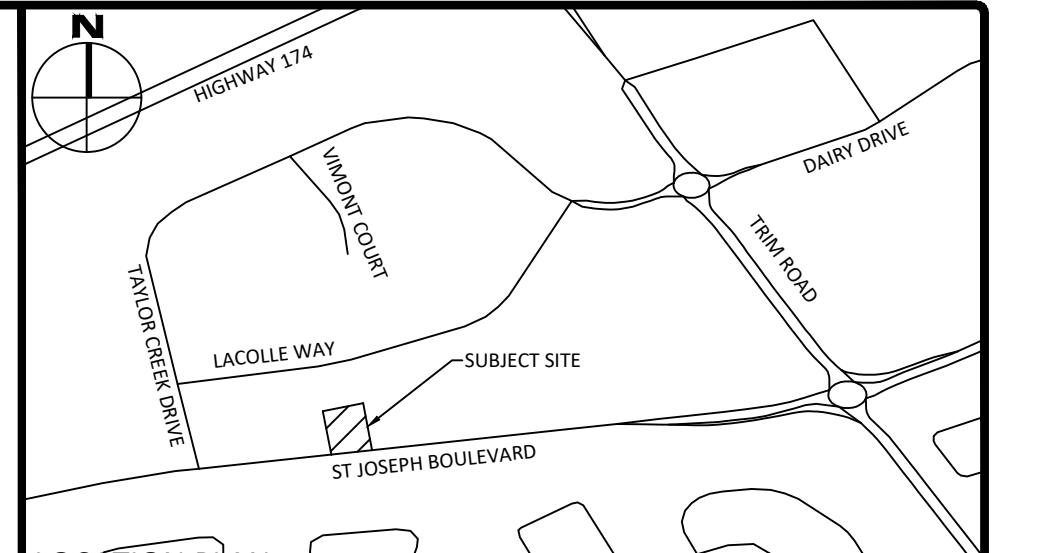
- THE ORIGINAL TOPOGRAPHY, GROUND ELEVATION AND SURVEY DATA SHOWN ARE SUPPLIED FOR INFORMATION PURPOSES ONLY, AND IMPLY NO GUARANTEE OF ACCURACY. IT SHALL BE THE RESPONSIBILITY OF THE CONTRACTOR TO VERIFY ALL INFORMATION SHOWN.
- THIS PLAN IS NOT A CADASTRAL SURVEY SHOWING LEGAL PROPERTY BOUNDARIES AND EASEMENTS. THE PROPERTY BOUNDARIES SHOWN HEREON HAVE BEEN DERIVED FROM INFORMATION SUPPLIED BY (OR SHOWN ON) ANNS/O'SULLIVAN, VOLLEBEKK LTD. DRAWING E-2505-22 AND CANNOT BE RELIED UPON TO BE ACCURATE OR COMPLETE. THE PRECISE LOCATION OF THE CURRENT PROPERTY BOUNDARIES AND EASEMENTS CAN ONLY BE DETERMINED BY AN UP-TO-DATE LAND TITLES SEARCH AND A SUBSEQUENT CADASTRAL SURVEY PERFORMED AND CERTIFIED BY AN ONTARIO LAND SURVEYOR.
- THE CONTRACTOR IS TO OBTAIN AND PAY FOR ALL NECESSARY PERMITS AND APPROVALS FROM THE CITY BEFORE COMMENCING CONSTRUCTION.
- THE CONTRACTOR IS RESPONSIBLE FOR ALL LAYOUT.
- THE CONTRACTOR IS TO DETERMINE THE EXACT LOCATION, SIZE, MATERIAL AND ELEVATION OF ALL EXISTING UTILITIES PRIOR TO COMMENCING CONSTRUCTION. PROTECT AND ASSUME ALL RESPONSIBILITY FOR EXISTING UTILITIES WHETHER OR NOT SHOWN ON THESE DRAWINGS. IF THERE IS ANY DISCREPANCY THE CONTRACTOR IS TO NOTIFY THE ENGINEER PROMPTLY.
- RESTORE ALL TRENCHES AND SURFACES OF PUBLIC ROAD ALLOWANCES TO CONDITION EQUAL OR BETTER THAN ORIGINAL CONDITION AND TO THE SATISFACTION OF THE CITY AUTHORITIES.
- EXCAVATE AND DISPOSE OF ALL EXCESS EXCAVATED MATERIAL, SUCH AS ASPHALT, CURBING AND DEBRIS, OFF SITE AS DIRECTED BY THE ENGINEER AND THE CITY.
- TOPSOIL TO BE STRIPPED AND STOCKPILED FOR REHABILITATION. CLEAN FILL TO BE PLACED IN FILL AREAS AND COMPACTED TO 95% STANDARD PROCTOR DENSITY.
- ALL DISTURBED AREAS TO BE RESTORED TO ORIGINAL CONDITION OR BETTER UNLESS OTHERWISE SPECIFIED. THE CONTRACTOR SHALL BE RESPONSIBLE FOR ALL TRAFFIC CONTROL AND SAFETY MEASURES DURING THE CONSTRUCTION PERIOD, INCLUDING THE SUPPLY, INSTALLATION, AND REMOVAL OF ALL NECESSARY SIGNAGE, DELINEATORS, MARKERS AND BARRIERS.
- DO NOT ALTER GRADING OF THE SITE WITHOUT PRIOR APPROVAL OF THE ENGINEER/CITY.
- ALL ROADWAY, PARKING LOT, AND GRADING WORKS TO BE UNDERTAKEN IN ACCORDANCE WITH CITY STANDARDS AND SPECIFICATIONS. THE CONTRACTOR IS TO PROVIDE POSITIVE DRAINAGE AWAY FROM THE BUILDING.
- CONTACT THE CITY FOR INSPECTION OF ROUGH GRADING OF PARKING LOTS, ROADWAYS AND LANDSCAPED AREAS PRIOR TO PLACEMENT OF ASPHALT AND TOPSOIL. ALL DEFICIENCIES NOTED SHALL BE RECTIFIED TO THE CITY'S SATISFACTION PRIOR TO PLACEMENT OF ANY ASPHALT, TOPSOIL, SEED & MULCH AND/OR SOIL.
- ALL DIMENSIONS AND INVERTS MUST BE VERIFIED PRIOR TO CONSTRUCTION. IF THERE IS ANY DISCREPANCY THE CONTRACTOR IS TO NOTIFY THE ENGINEER PROMPTLY.
- ELECTRICAL, GAS, TELEPHONE AND TELEVISION SERVICE LOCATIONS ARE SUBJECT TO THE INDIVIDUAL AGENCY:
 - ELECTRICAL SERVICE - HYDRO ONE,
 - GAS SERVICE - ENBRIDGE,
 - TELEPHONE SERVICE - BELL CANADA,
 - TELEVISION SERVICE - ROGERS.
- INSTALLATION TO BE IN ACCORDANCE WITH CURRENT CODES AND STANDARDS OF APPROVAL AGENCIES HYDRO ONE, BELL AND THE CITY.
- CONTRACTOR TO ENSURE ALL APPLICABLE OPS SPECIFICATIONS ARE FOLLOWED DURING CONSTRUCTION.
- ALL PROPOSED CURB TO BE CONCRETE BARRIER CURB UNLESS OTHERWISE SPECIFIED.
- THIS PLAN SHALL BE READ IN CONJUNCTION WITH THE GEOTECHNICAL INVESTIGATION COMPLETED BY PATERSON GROUP, DATED AUGUST 10TH, 2018
- ALL DISTURBED AREAS TO BE RESTORED TO ORIGINAL CONDITION OR BETTER UNLESS OTHERWISE SPECIFIED.

WATERMAIN NOTES

- CONSTRUCT ALL WATERMANS AND APPURTENANCES IN ACCORDANCE WITH OPSD STANDARDS AND SPECIFICATIONS, AS WELL AS CITY STANDARDS.
- WATERMANS AND/OR WATER SERVICES ARE TO HAVE A MINIMUM COVER OF 2.4m. OTHERWISE THERMAL INSULATION IS REQUIRED AS PER CITY STANDARDS (IF AVAILABLE) OR OPSD 1109.030.
- IF THE WATERMAIN MUST BE DEFLECTED TO MEET ALIGNMENT, ENSURE THAT THE AMOUNT OF DEFLECTION USED IS EQUAL TO OR LESS THAN THAT WHICH IS RECOMMENDED BY THE MANUFACTURER.
- THERMAL INSULATION OF WATERMANS AT OPEN STRUCTURES AS PER CITY STANDARDS (IF AVAILABLE) OR OPSD 1109.030.
- VALVES TO BE OPERATED BY CITY STAFF ONLY.
- NO CONNECTION TO EXISTING WATER NETWORK SHALL BE COMPLETED UNTIL A WATER PERMIT IS OBTAINED FROM THE CITY. CITY TO BE PRESENT FOR WATERMAIN CONNECTION, CONNECTION, EXCAVATION, BACKFILLING AND REINSTATEMENT TO BE COMPLETED BY CONTRACTOR.
- IT WILL BE THE RESPONSIBILITY OF THE CONTRACTOR TO PERFORM ANY WATERMAIN CONNECTIONS REQUIRED. THIS SHALL BE COMPLETED IN THE PRESENCE OF A DESIGNATED MUNICIPAL WATER OPERATOR AND THE SELECTED CONTRACTOR SHALL PROVE TO THE SATISFACTION OF THE CITY THAT THEY ARE COMPETENT TO PERFORM THE WORKS PRIOR TO INITIATING CONSTRUCTION.
- CONCRETE THRUST BLOCKS TO CONFORM TO OPSD 1103.010 AND OPSD 1103.020.
- ALL WATERMAIN TO BE CLASS 150 DR-18 OR APPROVED EQUIVALENT.
- ALL WATERMAIN TO BE EQUIPPED WITH TRACER WIRE.

SEWER NOTES:

- CONSTRUCT ALL SEWERS, CATCH BASINS, MANHOLES AND APPURTENANCES IN ACCORDANCE WITH OPSD STANDARDS AND SPECIFICATIONS AS WELL AS CITY.
- SEWER TRENCHING AND BEDDING SHALL CONFORM TO OPSD 802.010 AND 802.013 UNLESS NOTED OTHERWISE.
 - BEDDING SHALL BE A MINIMUM 150mm OF GRANULAR "A" COMPACTED TO MINIMUM 95% STANDARD PROCTOR DRY DENSITY. CLEAR STONE BEDDING SHALL NOT BE PERMITTED.
 - SUB-BEDDING, IF REQUIRED SHALL CONSIST OF 450mm OF COMPACTED GRANULAR "B" TYPE 1.
 - BACKFILL TO AT LEAST 300mm ABOVE TOP OF PIPE WITH GRANULAR "A" OR GRANULAR "B" TYPE 1.
 - TO MINIMIZE DIFFERENTIAL FROST HEAVING, TRENCH BACKFILL (FROM PAVEMENT SUBGRADE TO 2.0 METRES BELOW FINISHED GRADE) SHALL MATCH EXISTING SOIL CONDITIONS.
- SANITARY SEWERS AND CONNECTIONS 150mmØ AND SMALLER TO BE PVC SDR-28.
- SEWERS AND CONNECTIONS 200mmØ AND LARGER TO BE PVC SDR-35. BEDDING TO BE TYPE "B" EXCEPT AT RISERS, UNLESS NOTED OTHERWISE.
- INSULATE ALL STORM AND SANITARY SEWERS/SERVICES THAT HAVE LESS THAN 2.0m OF COVER WITH THERMAL INSULATION AS PER OPSD 1109.030.
- SEWER CONNECTIONS ARE TO BE MADE ABOVE THE SPRINGLINE OF THE SEWERMAIN AS PER CITY OF OTTAWA STANDARD DRAWING S11.111.1 & S11.2.
- SUPPLY AND INSTALL ALL PIPING AND APPURTENANCES AS SHOWN AND DETAILED TO WITHIN 1.0m OF BUILDING. ALL ENDS OF SERVICES TO BE PROPERLY CAPPED AND LOCATED WITH 2"x4"X8" LONG MARKER.
- CONTRACTOR TO TELEVIEW (CCTV) ALL PROPOSED SEWERS ON SITE. OUTLET CONNECTION TO THE MAIN AND PIPES 150mmØ OR GREATER PRIOR TO BASE COURSE ASPHALT. UPON COMPLETION OF CONTRACT, THE CONTRACTOR IS RESPONSIBLE TO FLUSH AND CLEAN ALL SEWERS & APPURTENANCES.
- DYE TESTING IS TO BE COMPLETED ON SANITARY SERVICE TO CONFIRM PROPER CONNECTION TO SANITARY SEWER MAIN.



LEGEND

CONCRETE BARRIER CURB	LIMIT OF CONSTRUCTION
CONCRETE WALKWAY	DRAINAGE SWALE
PROPOSED ASPHALT	DRAINAGE DITCH
LANDSCAPING CATCH BASIN	SLOPING AT 3:1 UNLESS SPECIFIED
CATCH BASIN MANHOLE	95.50 SURFACE ELEVATION
CATCH BASIN	95.50 SWALE ELEVATION
SANITARY SEWER MANHOLE	TOP OF WALL ELEVATION
FIRE HYDRANT	BOTTOM OF WALL ELEVATION
WATER VALVE	OVERLAND FLOW ROUTE
WATER METER	SILT FENCE BARRIER
REMOTE WATER METER	STRAW BALE CHECK DAM
	MUD MAT

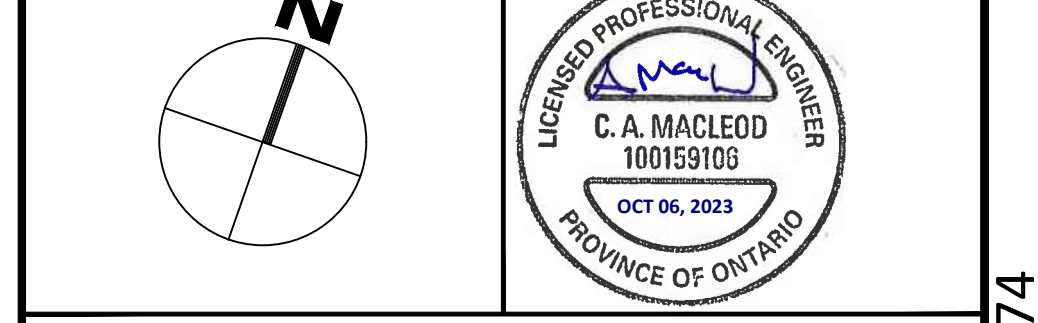
No.	Revisions	Date
2	RE-ISSUED FOR SITE PLAN CONTROL APPROVAL	OCT. 06, 2023
1	ISSUED FOR REVIEW	MAY 12, 2023

Check and verify all dimensions before proceeding with the work. Do not scale drawings.

SCALE 1:250

0 5 10 15 20 25 Metres

McINTOSH PERRY
 115 Walgreen Road, RR3, Carp, ON K0A 1L0
 Tel: 613-836-2184 Fax: 613-836-3742
 www.mcintoshperry.com



Client: **CSV ARCHITECTS**
 190 O'CONNOR STREET, SUITE 100
 OTTAWA, ON K2P 2R3

Project: **MIXED USE BUILDING**
 3745 ST. JOSEPH BOULEVARD

Drawing Title: **SITE SERVICING PLAN**

Scale: 1:250
 Drawn By: NV
 Checked By: AM
 Designed By: NV

Project Number: **CCO-23-3287**
 Drawing Number: **C102**

FILENAME: I:\Ottawa\01 Project - 2023\001\CCO-23-3287_CSP_Multi-Use Building_3745 St. Joseph Blvd.rvt
 DATE SAVED: Friday, October 06, 2023 1:52:54 PM
 LAST PLOTTED: Friday, October 06, 2023 1:52:54 PM

FILE NO. D07-12-23-0059, PLAN NO. 18974