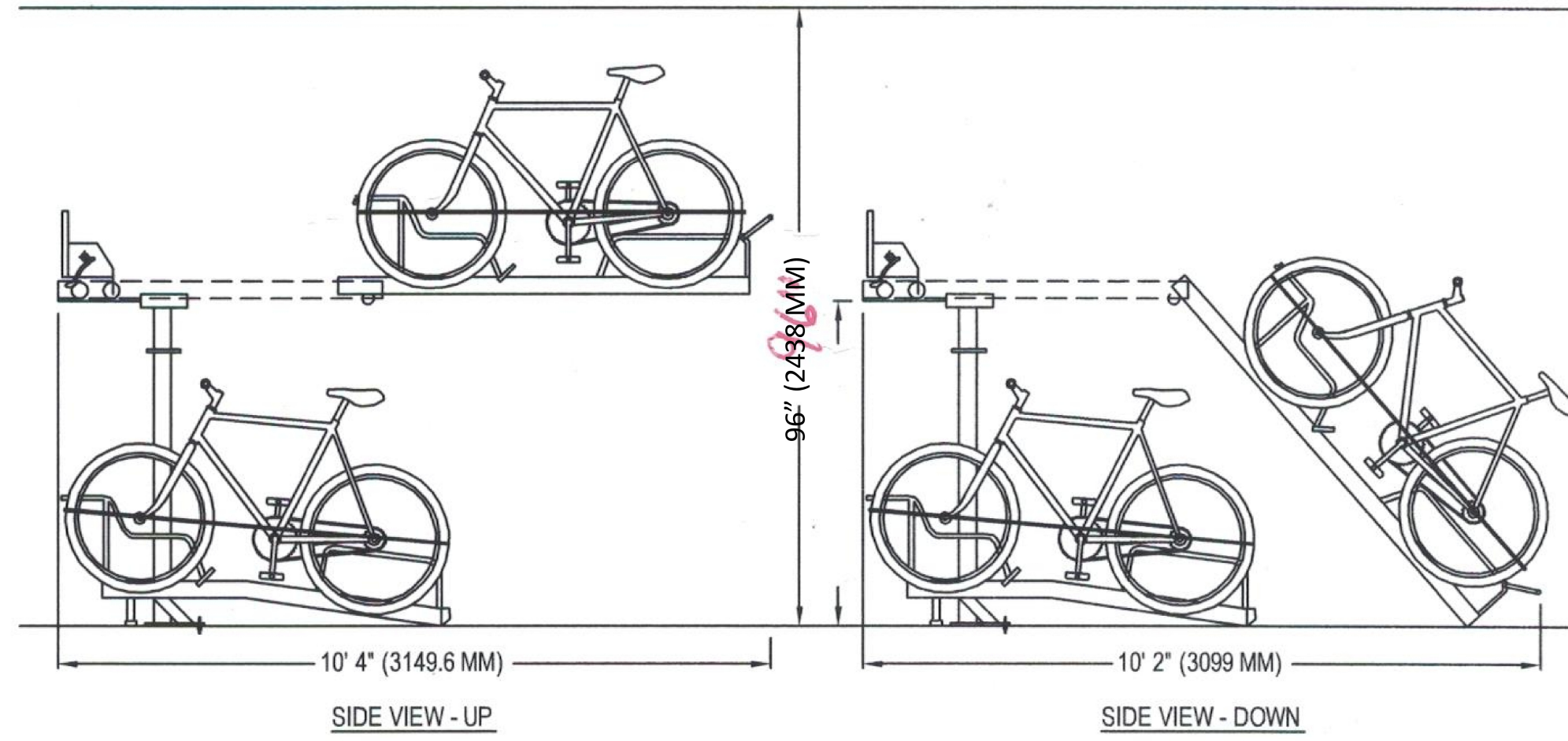


BikeRack.ca
park your bike

BIKE RACK MFG. & DIST. CO.
80 BASS PRO MILLS DR., UNIT 24
VAUGHAN, ON L4K 5W9
PHONE: (416) 927-7499
MOBILE: (416) 809-1934
WWW.BIKERACK.CA

- SELECT DESIRED SIZE: SELECT DESIRED SPACE USE/SETBACKS:
- 8 BIKES, 8' (2438 MM) SECTIONS (SHOWN) 23' 6" (7188 MM) CENTER TO CENTER
- 8 BIKES, 6' (1829 MM) SECTIONS 18" (457 MM) CENTER TO CENTER (SHOWN)
- 2 BIKES, SINGLE SECTIONS (SHOWN)

NEW CUSTOM SIZE



FEATURES:
-MATERIAL: HSS STEEL
-FINISH: HOT DIPPED GALVANIZED

- NOTES:**
1. INSTALLATION TO BE COMPLETED IN ACCORDANCE WITH MANUFACTURER'S SPECIFICATIONS.
 2. DO NOT SCALE DRAWING.
 3. THIS DRAWING IS INTENDED FOR USE BY ARCHITECTS, ENGINEERS, CONTRACTORS, CONSULTANTS AND DESIGN PROFESSIONALS FOR PLANNING PURPOSES ONLY. THIS DRAWING MAY NOT BE USED FOR CONSTRUCTION.
 4. ALL INFORMATION CONTAINED HEREIN WAS CURRENT AT THE TIME OF DEVELOPMENT BUT MUST BE REVIEWED AND APPROVED BY THE PRODUCT MANUFACTURER TO BE CONSIDERED ACCURATE.
 5. CONTRACTOR'S NOTE: FOR PRODUCT AND COMPANY INFORMATION VISIT www.CADdetails.com/info AND ENTER REFERENCE NUMBER 4238-009.

STACKABLE BIKE RACKS
EXTENDED STACKABLE BIKE RACK, 18" CENTER TO CENTER - DRAWING 2

4238-009 PROTECTED BY COPYRIGHT ©2015 CADDETAILS.COM LTD. REVISION DATE 03/06/2015 CADdetails.com

STACKABLE BICYCLE PARKING @ BASEMENT LEVEL



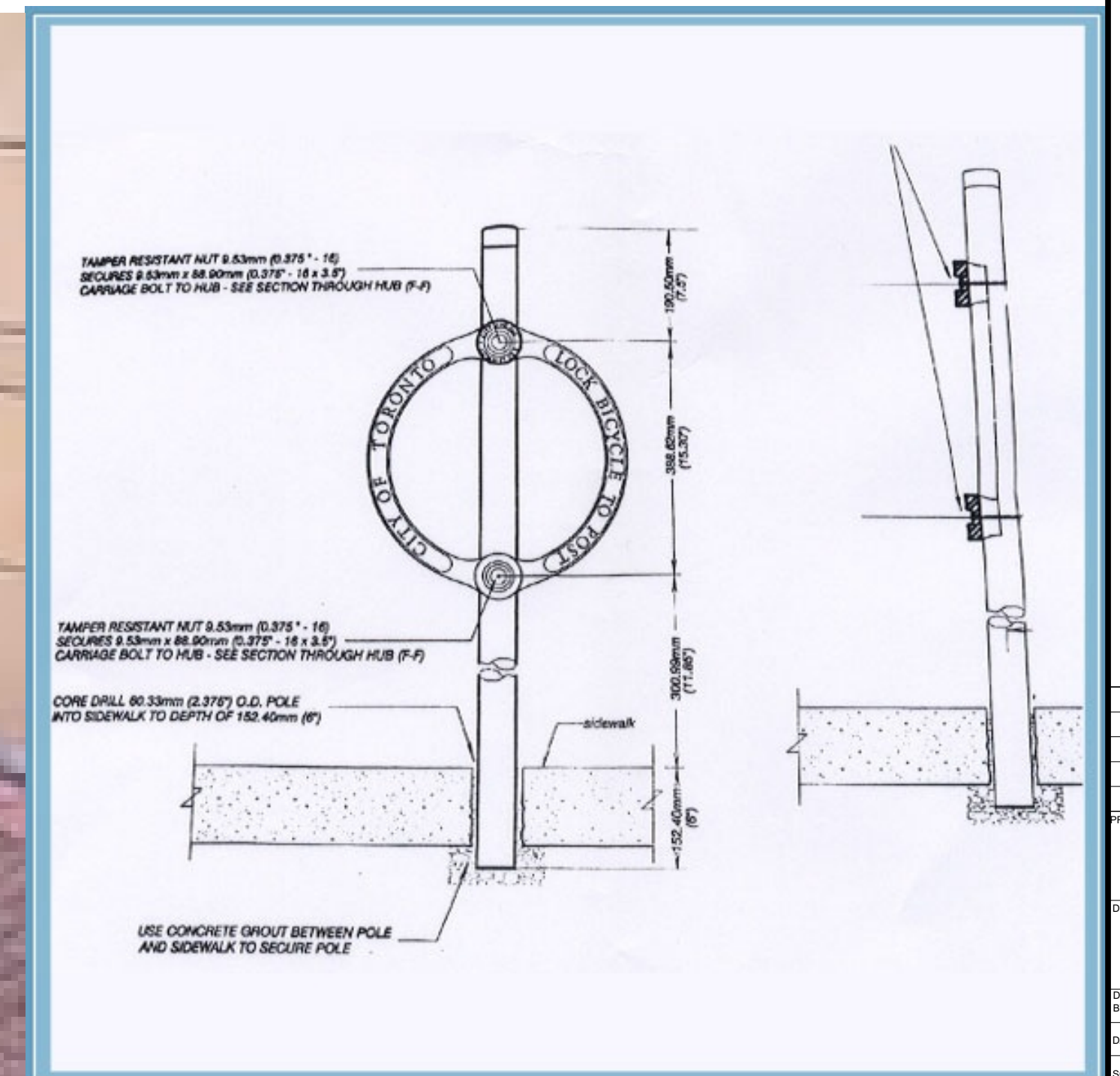
STACKABLE BICYCLE PARKING @ BASEMENT LEVEL



SAMPLE PRESSURE TREATED FENCE



EXTERIOR BICYCLE PARKING @ GRADE



RA REDLINE ARCHITECTURE
REDLINE ARCHITECTURE INC.
Tel: 613-612-2232
info@redlinearchitecture.ca
www.redlinearchitecture.ca

RESPONSIBILITIES:
DO NOT SCALE DRAWINGS
ALL DESIGN AND CONSTRUCTION TO BE IN ACCORDANCE WITH THE ONTARIO BUILDING CODE 2012
ALL CONTRACTORS MUST WORK IN ACCORDANCE WITH ALL LAWS, REGULATIONS AND BYLAWS HAVING JURISDICTION
IT IS THE RESPONSIBILITY OF THE APPROPRIATE CONTRACTOR TO CHECK AND VERIFY ALL DIMENSIONS ON SITE AND REPORT ALL ERRORS AND OMISSIONS TO THE ARCHITECT/DESIGNER
COPYRIGHT RESERVED
GENERAL NOTES:



224 PRESTON STREET
SCOPE OF WORK: NEW 6 STOREY - MIXED USE

OWNER/DEVELOPER:
224 ON PRESTON INC.

ARCHITECT:
REDLINE ARCHITECTURE INC.

APPLICANT:

CIVIL ENGINEER:
EQU
1051 BAXTER ROAD
OTTAWA, ON
K2C 3P1

LANDSCAPING:
DENDROFORESTRY SERVICES
OTTAWA, ON
K1S 5E2

SURVEYOR:
ACU LTD
14 CONCOURSE GATE, SUITE 500
OTTAWA, ON
K2E 7S8

CONSULTANTS:
STRUCTURAL - TBD
MECHANICAL - TBD
ELECTRICAL - TBD

NO.	REVISION/ISSUE	DATE
4	REVISIONS	06/09/16
3	SITE PLAN REVISIONS	11/09/15
2	SITE PLAN SUBMISSION	06/03/15
1	PRELIMINARY	07/03/12

PROJECT: **224 PRESTON ST. MIXED USE BUILDING**
224 PRESTON ST.
OTTAWA, ON K1S 7R1 613-000-0000

DRAWING NAME: **EX. FLOOR PLANS**

DRAWN BY: SHEET: **SPD2**

DATE: **MAR. 21, 2022**

SCALE: AS NOTED #18968