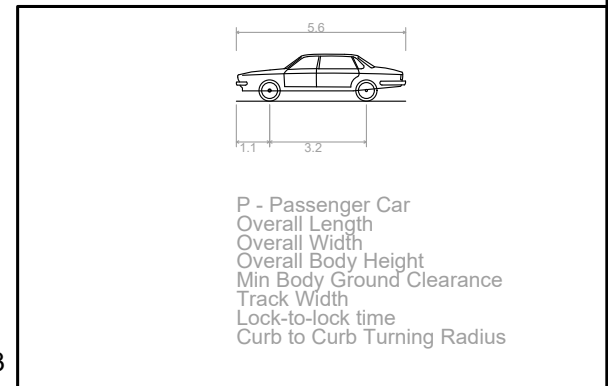
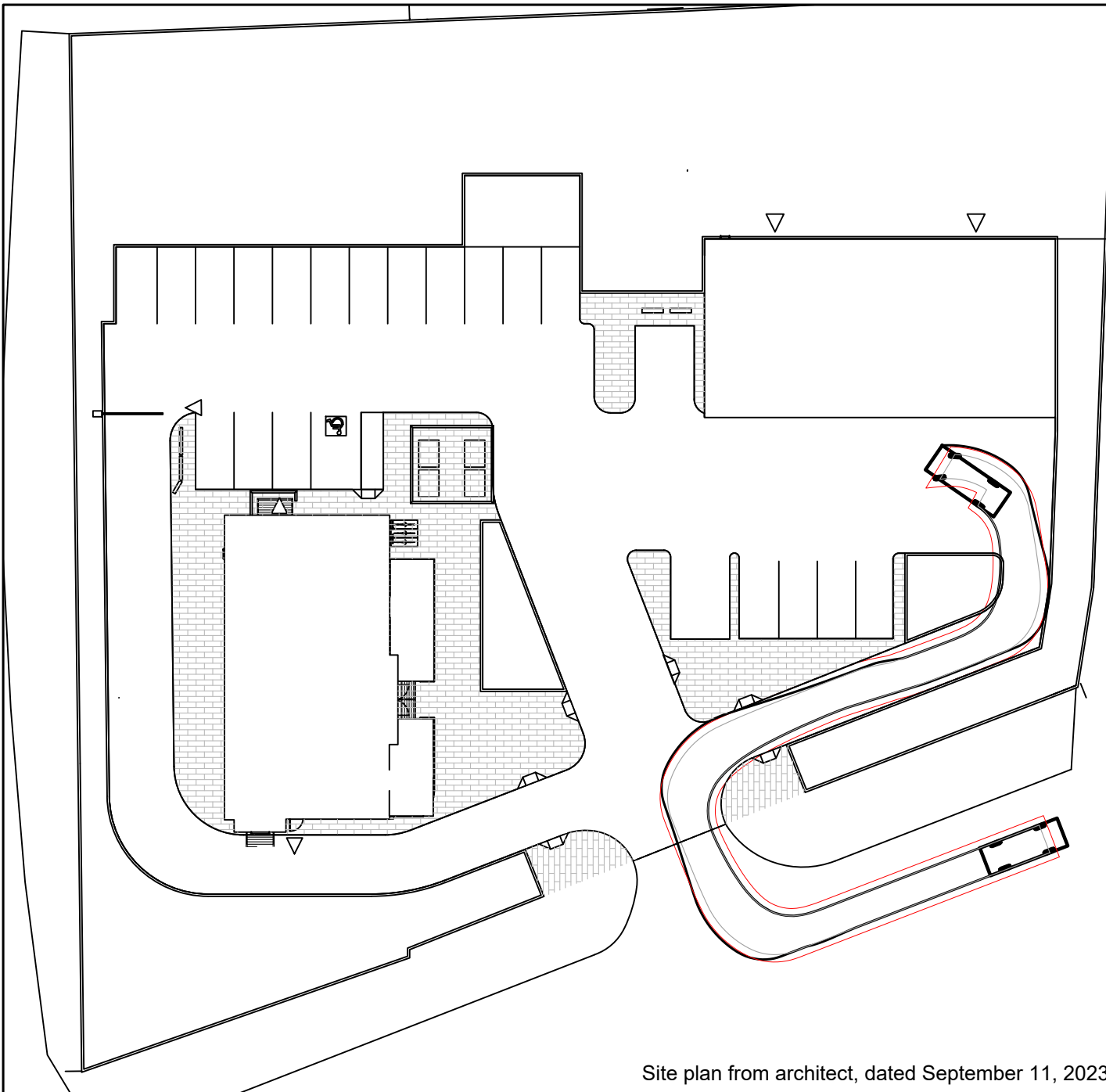
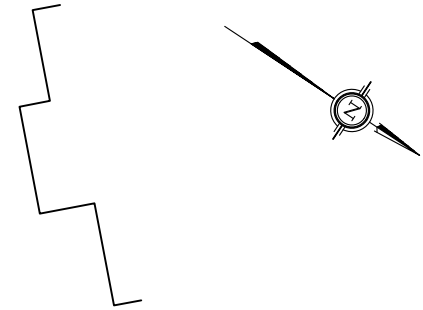


- Vehicle Envelope
- Wheel Tracking
- 0.5 m Buffer Area



Site plan from architect, dated September 11, 2023

**BTE 21-031**  
 2023-10-15  
 Scale 1:400

**5646-5650 Manotick Main Street**  
 Vehicle Tracking – Car Wash

