

Copyright Reserved

The Contractor shall verify and be responsible for all dimensions. DO NOT scale the drawings - any errors or omissions shall be reported to Stantec without delay.
The Copyrights to all designs and drawings are the property of Stantec. Reproduction or use for any purpose other than that authorized by Stantec is forbidden.

Legend

- PROPOSED SILT FENCE BOUNDARY AS PER OPSD 219.110
- ⊗ PROPOSED MUD MAT LOCATION
- PROPOSED CATCH BASIN PROTECTION AS PER DETAIL
- EXISTING STORM MANHOLE
- PROPOSED SANITARY MANHOLE
- EXISTING SANITARY MANHOLE
- EXISTING CATCH BASIN

Notes

Best Management Practices

CONTRACTOR TO PROVIDE EROSION AND SEDIMENT CONTROLS (BEST MANAGEMENT PRACTICES) DURING CONSTRUCTION OF THIS PROJECT.

EROSION MUST BE MINIMIZED AND SEDIMENTS MUST BE REMOVED FROM CONSTRUCTION SITE RUN-OFF IN ORDER TO PROTECT DOWNSTREAM AREAS. DURING ALL CONSTRUCTION, EROSION AND SEDIMENTATION SHOULD BE CONTROLLED BY THE FOLLOWING TECHNIQUES:

- LIMIT THE EXTENT OF EXPOSED SOILS AT ANY GIVEN TIME.
- REVEGETATE EXPOSED AREAS AND SLOPES AS SOON AS POSSIBLE.
- MINIMIZE AREA TO BE CLEARED AND GRUBBED.
- PROTECT EXPOSED SLOPES WITH PLASTIC OR SYNTHETIC MULCHES.
- INSTALL FILTER CLOTH BETWEEN FRAME AND COVER ON ALL PROPOSED CATCH BASINS AND CATCH BASIN MANHOLES AND ON ALL EXISTING CATCH BASINS THAT WILL RECEIVE RUN-OFF FROM THE SITE.
- A SILT FENCE SHALL BE INSTALLED AROUND THE PERIMETER OF ALL AND ANY STOCKPILES OF MATERIAL TO BE USED OR REMOVED FROM SITE. (LOCATION TO BE DETERMINED)
- A VISUAL INSPECTION SHALL BE DONE DAILY ON SEDIMENT CONTROL MEASURES AND CLEANED OF ANY ACCUMULATED SILT AS REQUIRED. THE DEPOSITS WILL BE DISPOSED OFF SITE AS PER THE REQUIREMENTS OF THE CONTRACT.
- SEDIMENT CONTROL BARRIERS MAY ONLY BE REMOVED TEMPORARILY WITH APPROVAL OF CONTRACT ADMINISTRATOR TO ACCOMMODATE CONSTRUCTION OPERATIONS. ALL AFFECTED BARRIERS MUST BE REINSTATED AT NIGHT WHEN CONSTRUCTION IS COMPLETED. NO REMOVAL WILL OCCUR IF THERE IS A SIGNIFICANT RAINFALL EVENT ANTICIPATED (>10mm) UNLESS A NEW DEVICE HAS BEEN INSTALLED TO PROTECT THE EXISTING STORM AND SANITARY SEWER SYSTEMS.
- NO REFUELING OR CLEANING OF EQUIPMENT IS PERMITTED NEAR ANY EXISTING WATERWAY.
- CONTRACTOR SHALL REMOVE SEDIMENT CONTROL MEASURES WHEN, IN THE OPINION OF THE CONTRACT ADMINISTRATOR, THE MEASURE(S) IS NO LONGER REQUIRED. NO CONTROL MEASURES SHALL BE PERMANENTLY REMOVED WITHOUT PRIOR WRITTEN AUTHORIZATION FROM THE CONTRACT ADMINISTRATOR.
- THE CONTRACTOR SHALL PERIODICALLY, OR WHEN REQUESTED BY THE CONTRACT ADMINISTRATOR, CLEAN UP ACCUMULATED SEDIMENTS AS REQUIRED.
- THE CONTRACTOR SHALL IMMEDIATELY REPORT TO THE ENGINEER ANY ACCIDENTAL DISCHARGES OF SEDIMENT MATERIAL INTO THE WATERCOURSE. APPROPRIATE RESPONSE MEASURES, INCLUDING ANY REPAIRS TO EXISTING CONTROL MEASURES OR THE IMPLEMENTATION OF ADDITIONAL CONTROL MEASURES, SHALL BE CARRIED OUT BY THE CONTRACTOR WITHOUT DELAY.
- CONTRACTOR SHALL INSTALL MUD MATS AT ALL ENTRANCES TO THE SITE.
- CONTRACTOR IS RESPONSIBLE TO KEEP THE ROADS FREE AND CLEAR OF MUD AND DEBRIS.

| NO. | REVISION | DATE | BY | APP'D. |
|-----|---------------------------|------|----|----------|
| 2 | REVISED PER CITY COMMENTS | WJ | DT | 24.05.27 |
| 1 | ISSUED FOR REVIEW | TM | DT | 23.06.07 |

| Revision | By | Appd. | YY.MM.DD |
|----------|----|-------|----------|
| 2 | WJ | DT | 24.05.27 |
| 1 | TM | DT | 23.06.07 |

| File Name: | TM | KK | TM | 23.03.15 |
|------------------|------|-------|------|----------|
| 160401784 DB.dwg | Dwn. | Chkd. | Dgn. | YY.MM.DD |

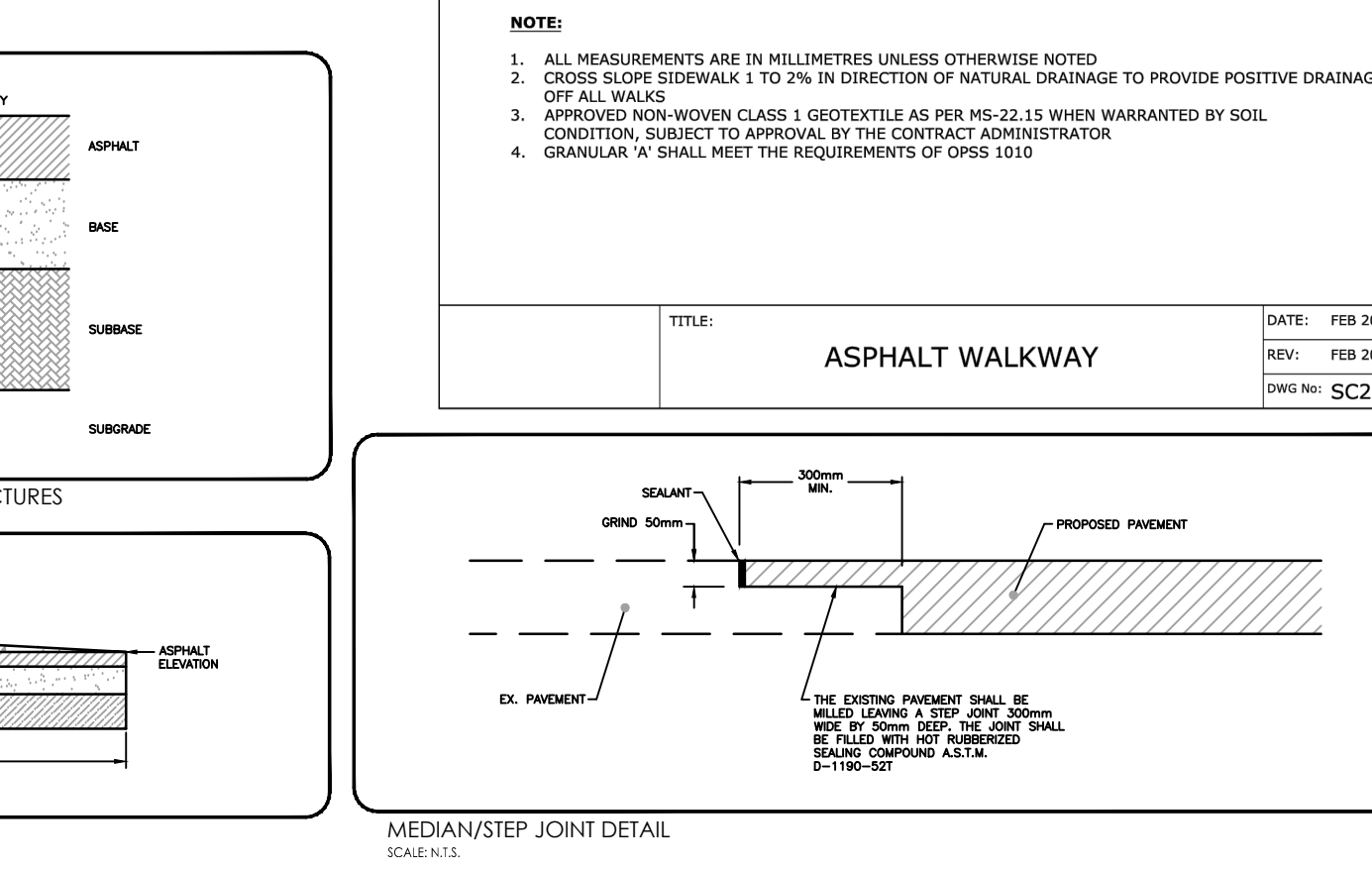
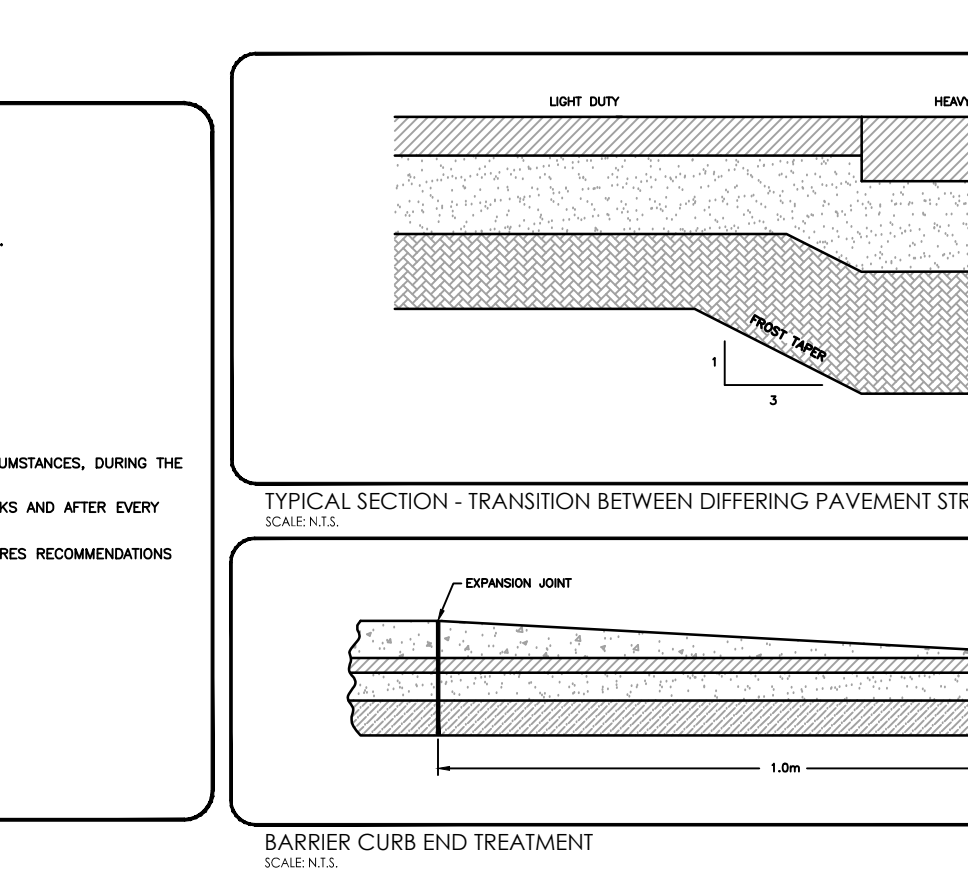
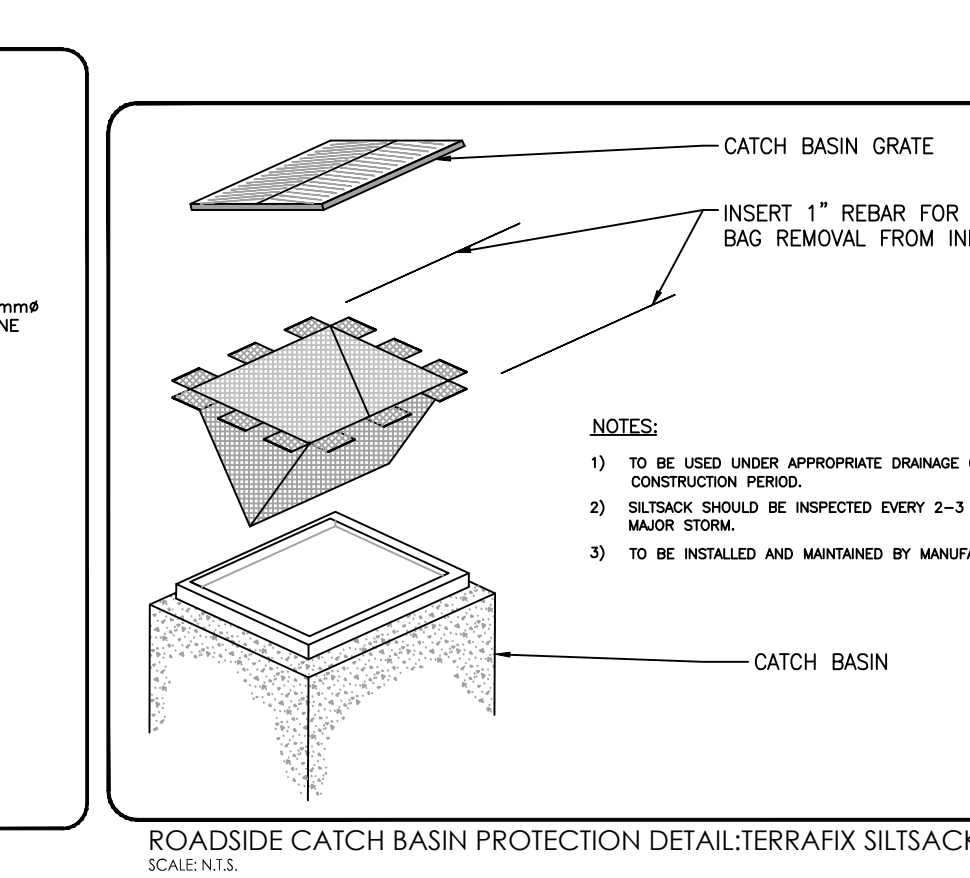
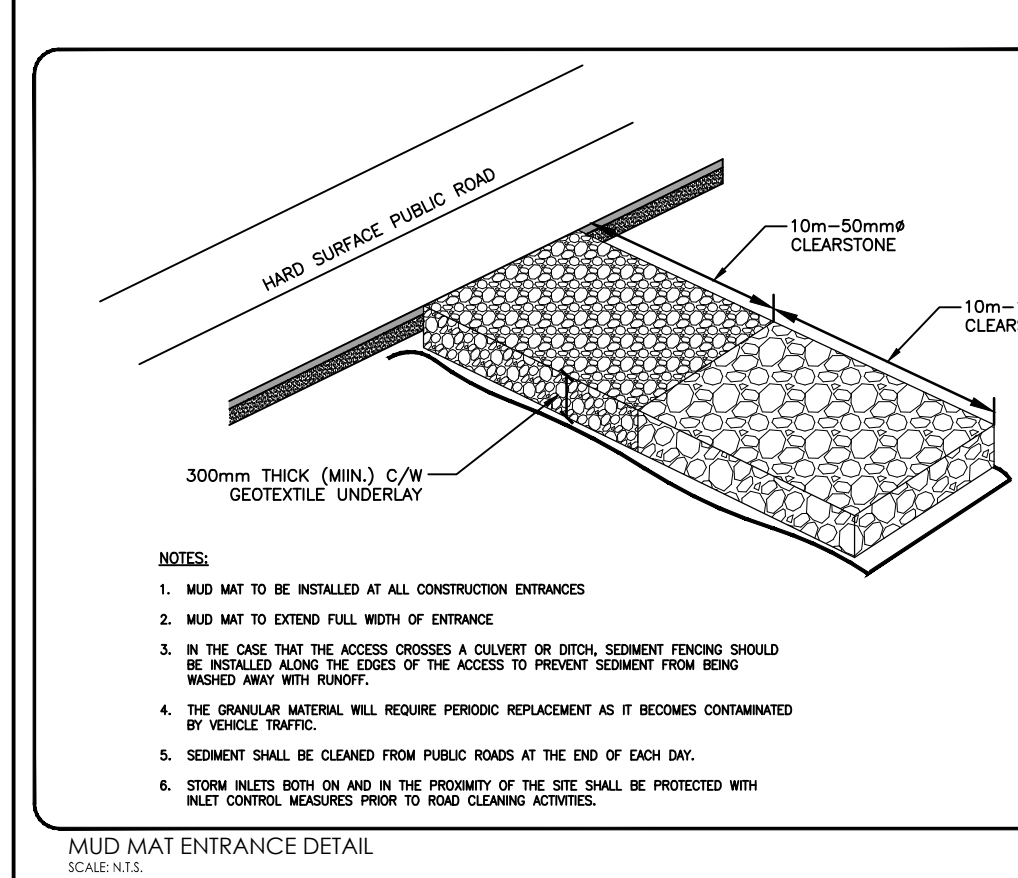
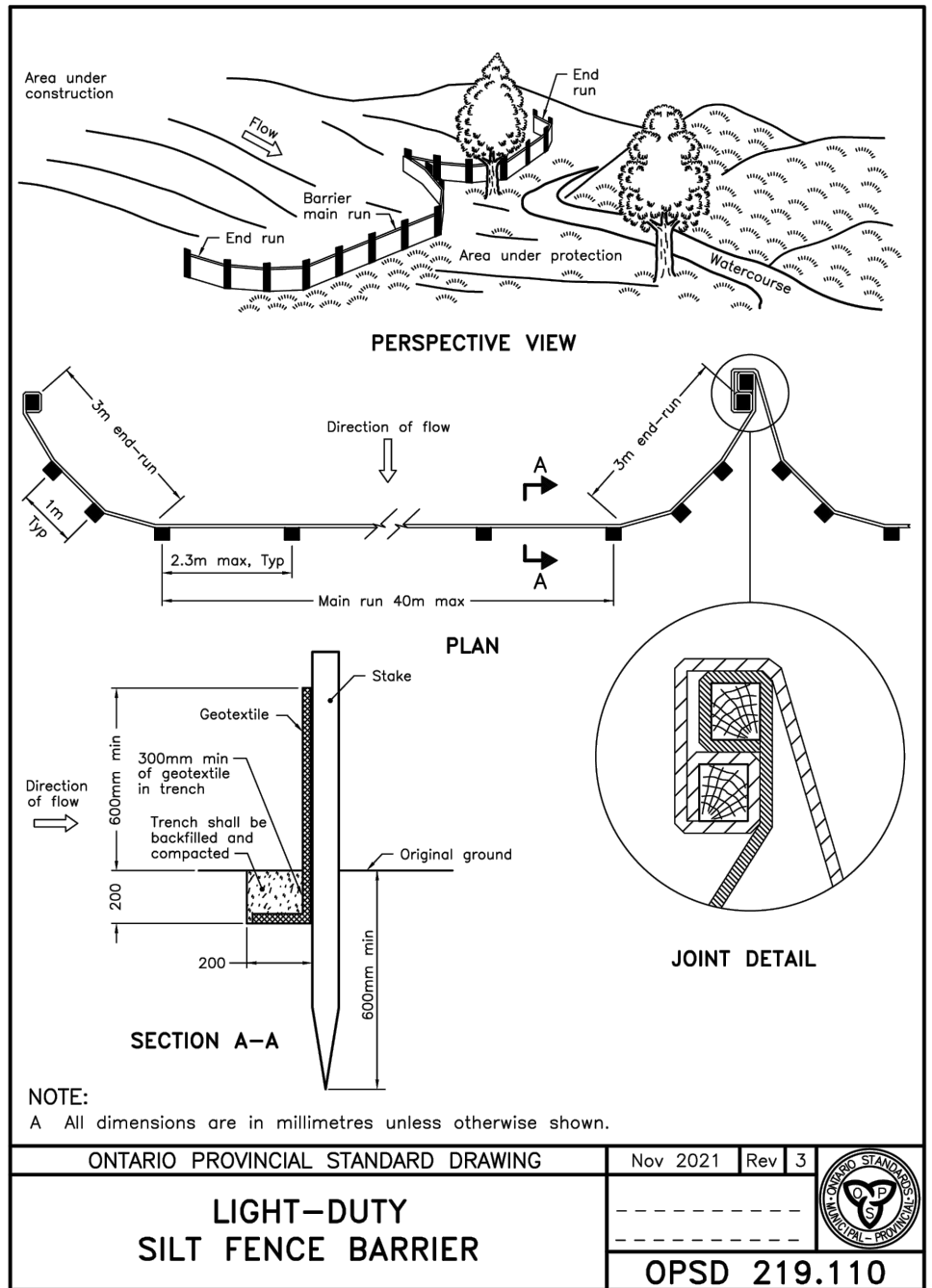
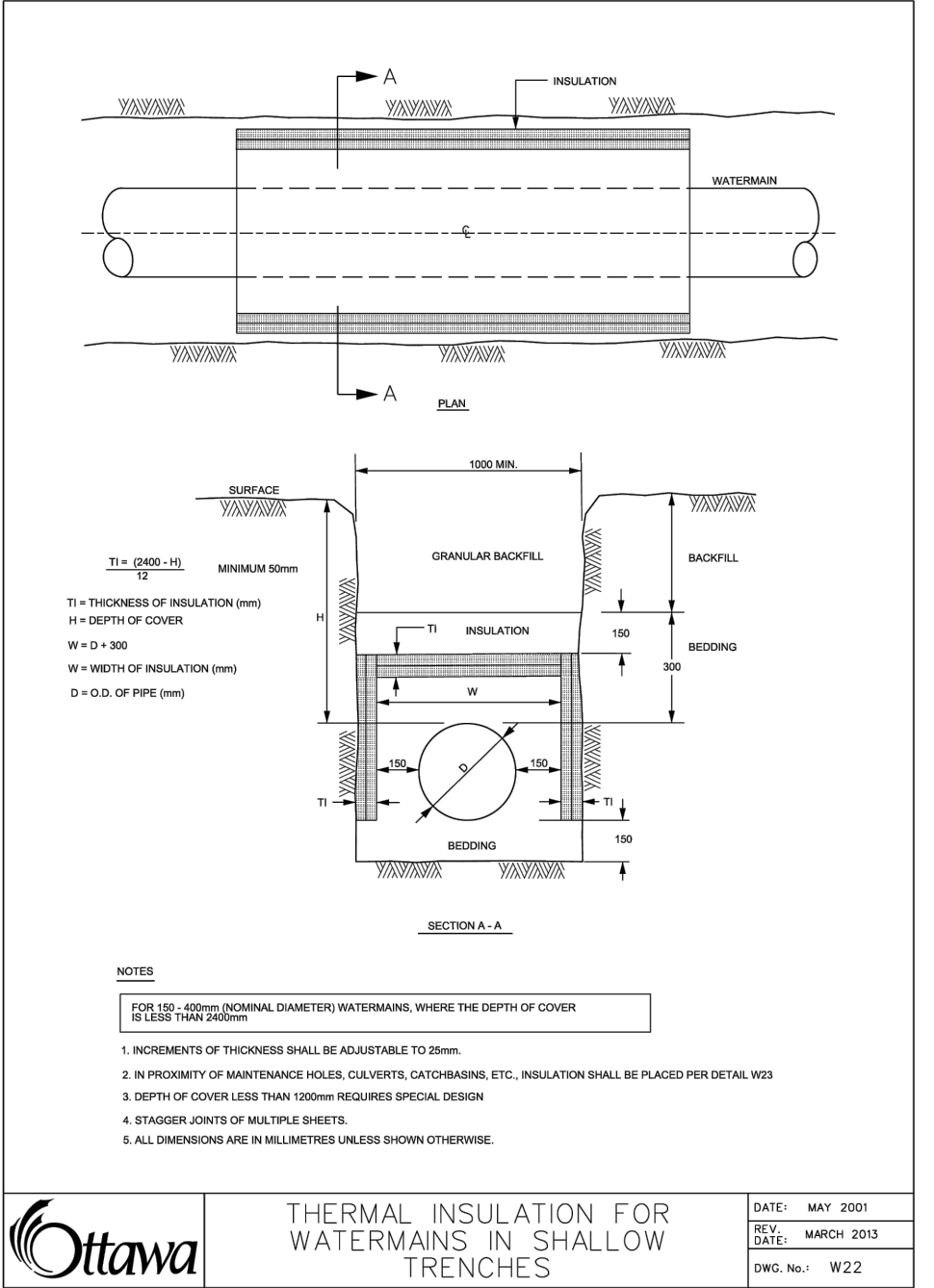
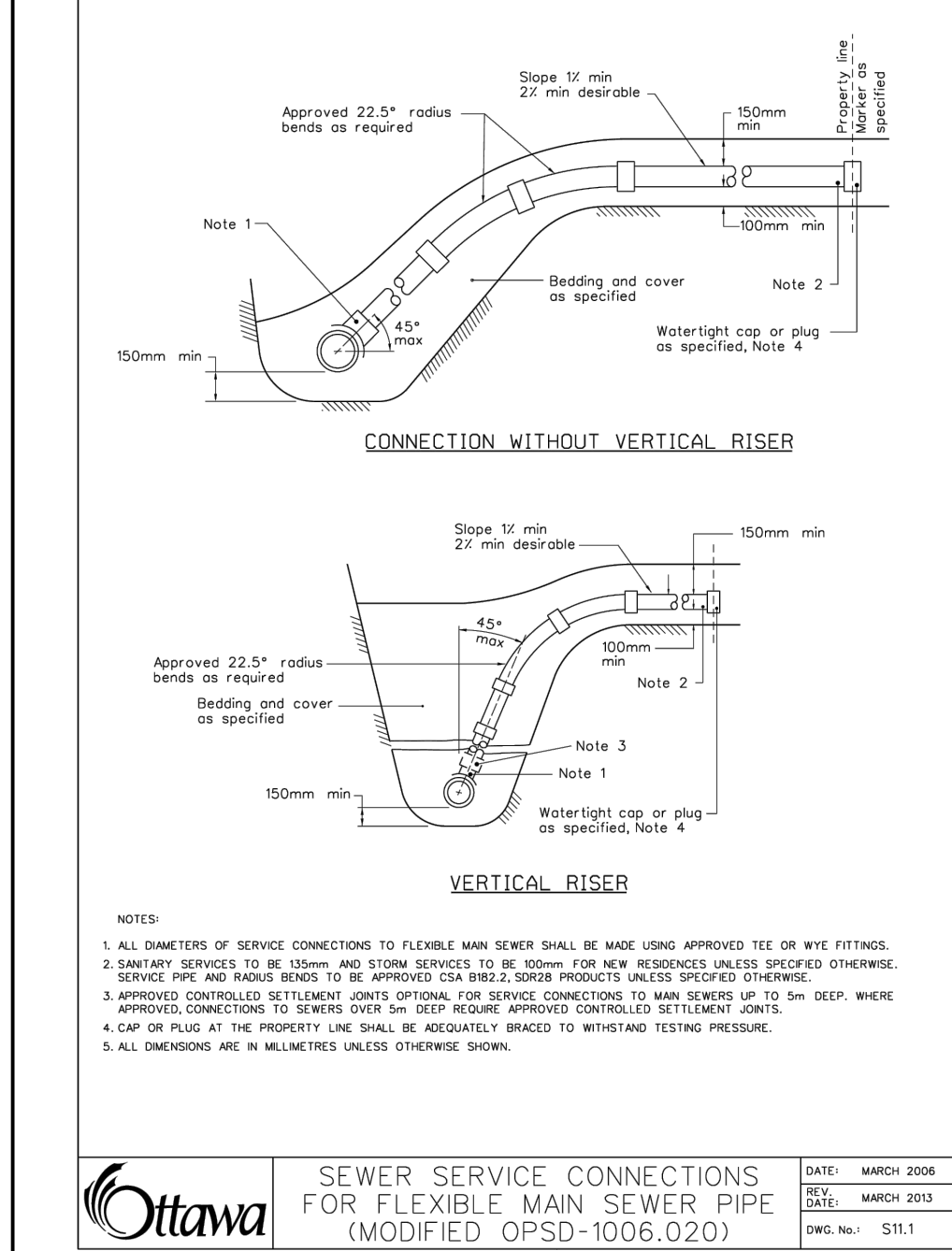
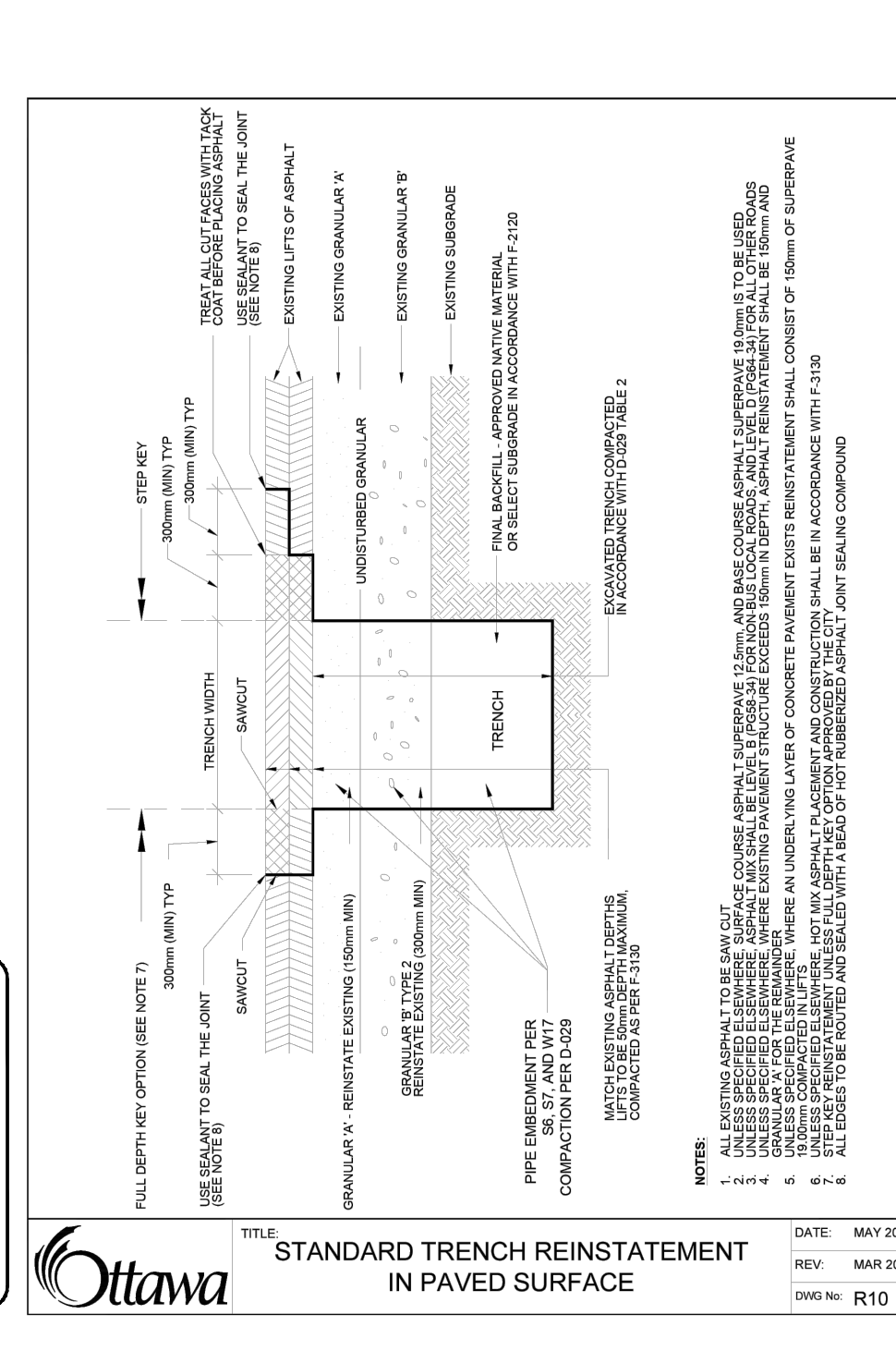
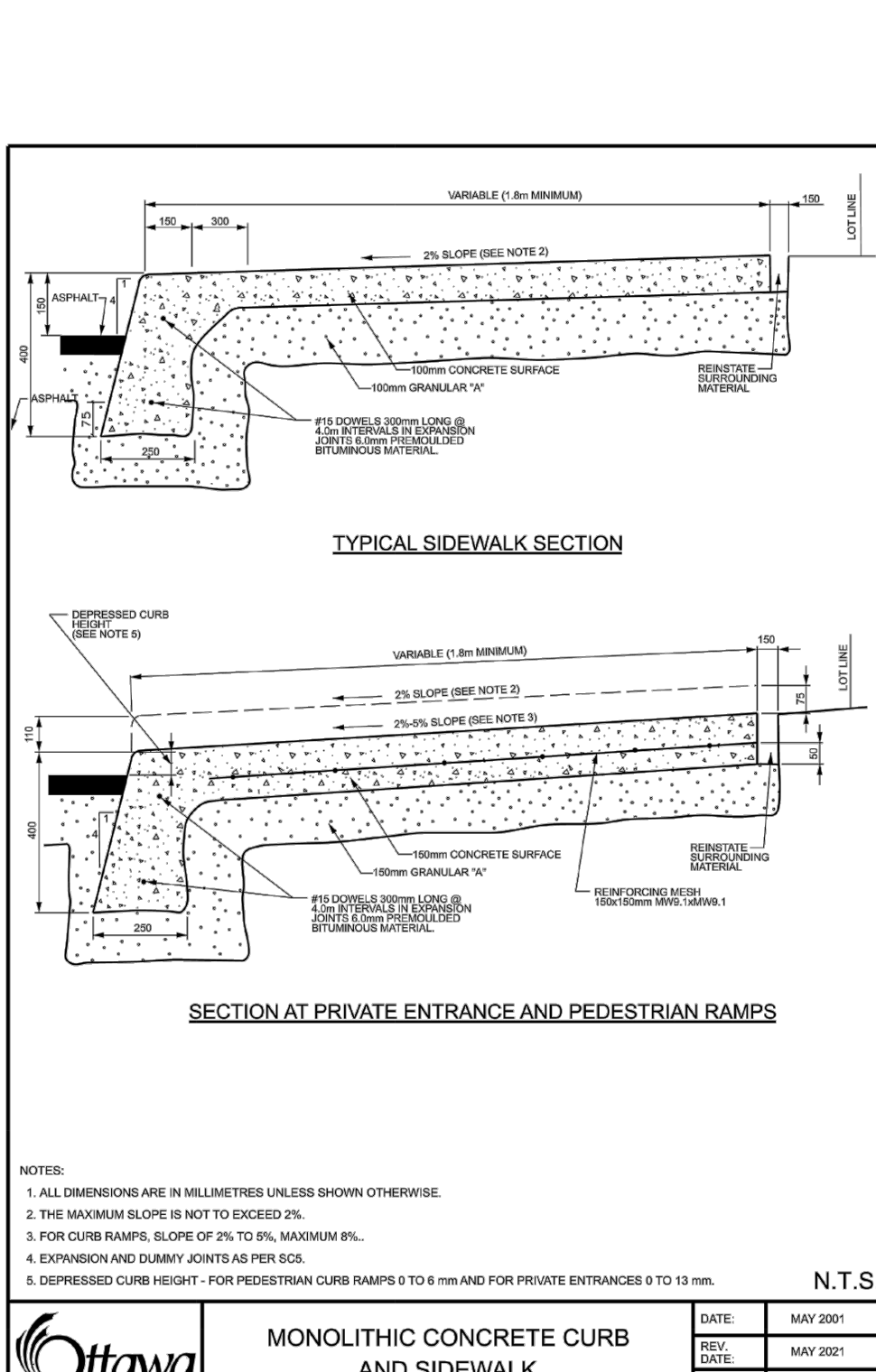
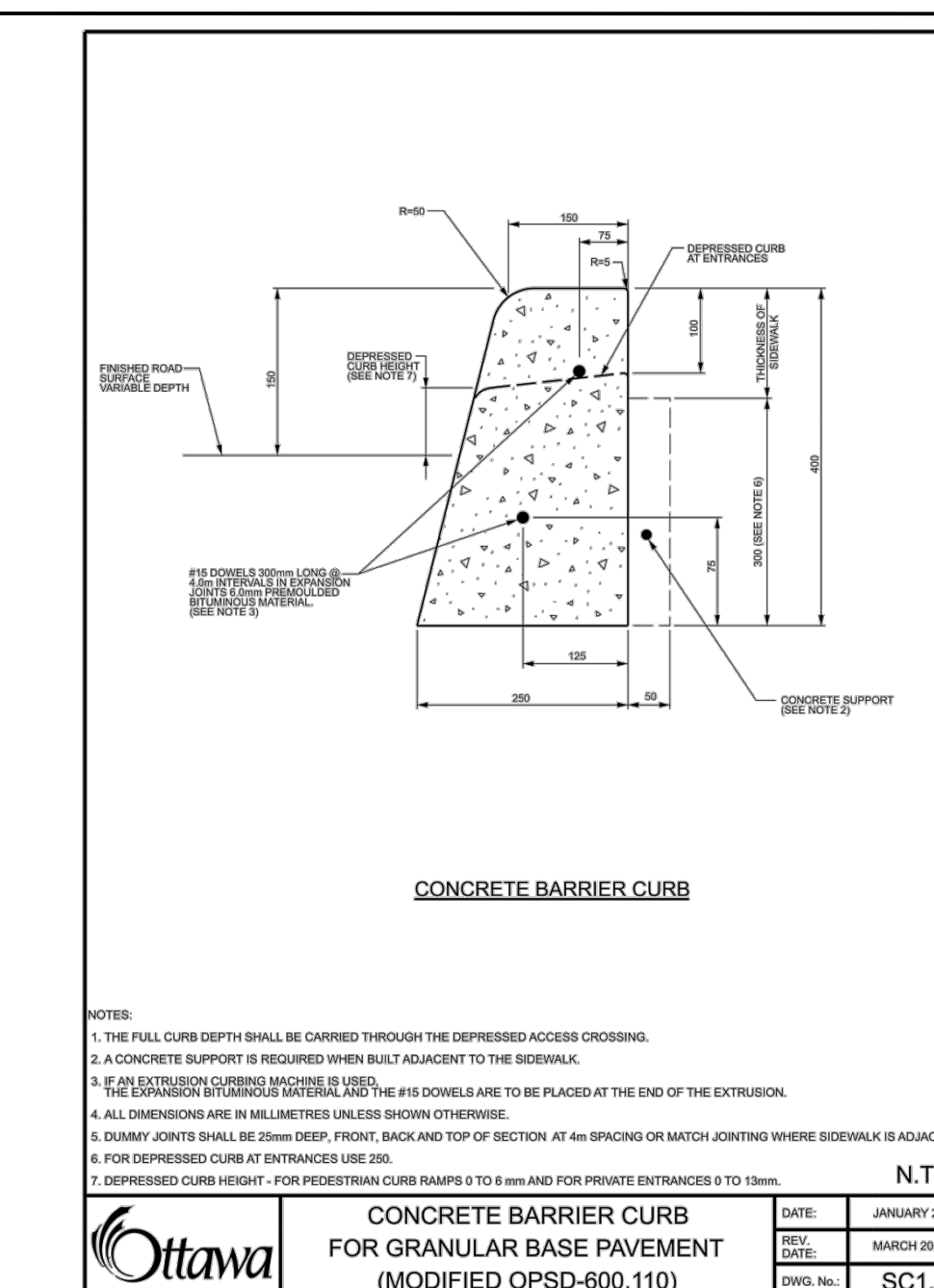
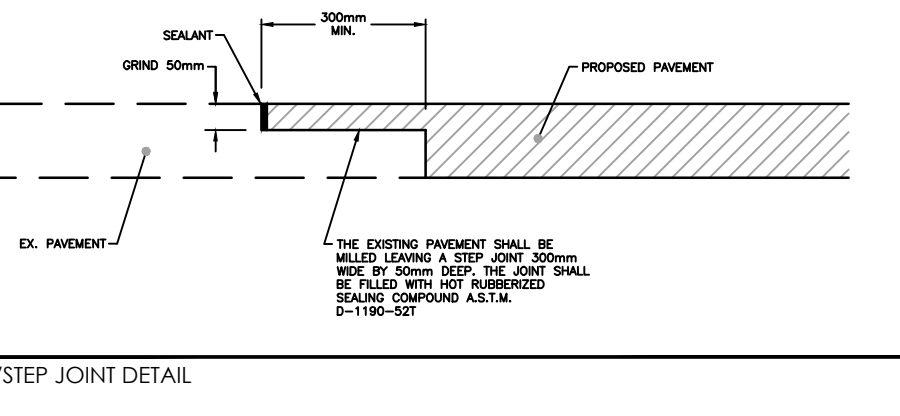
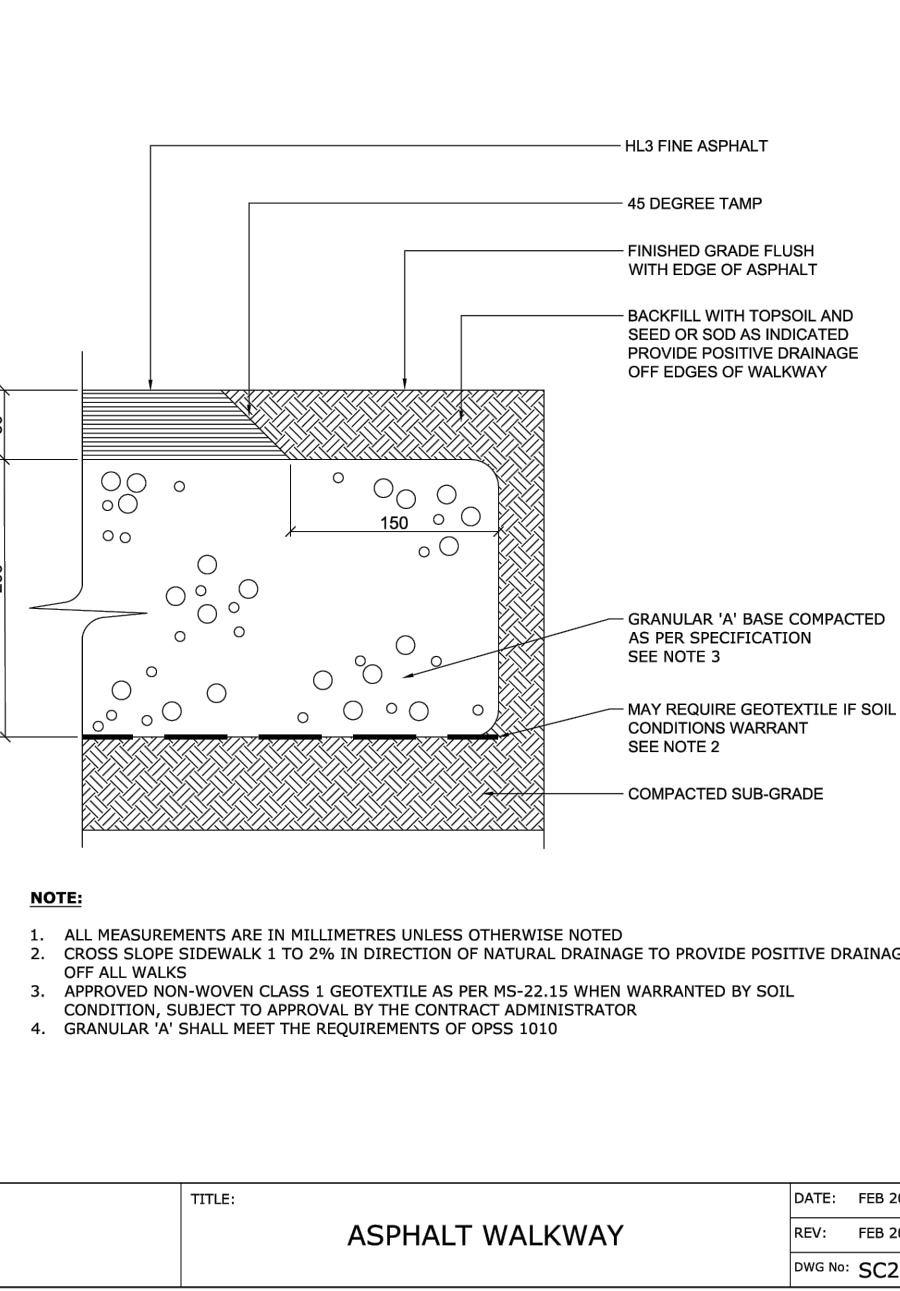
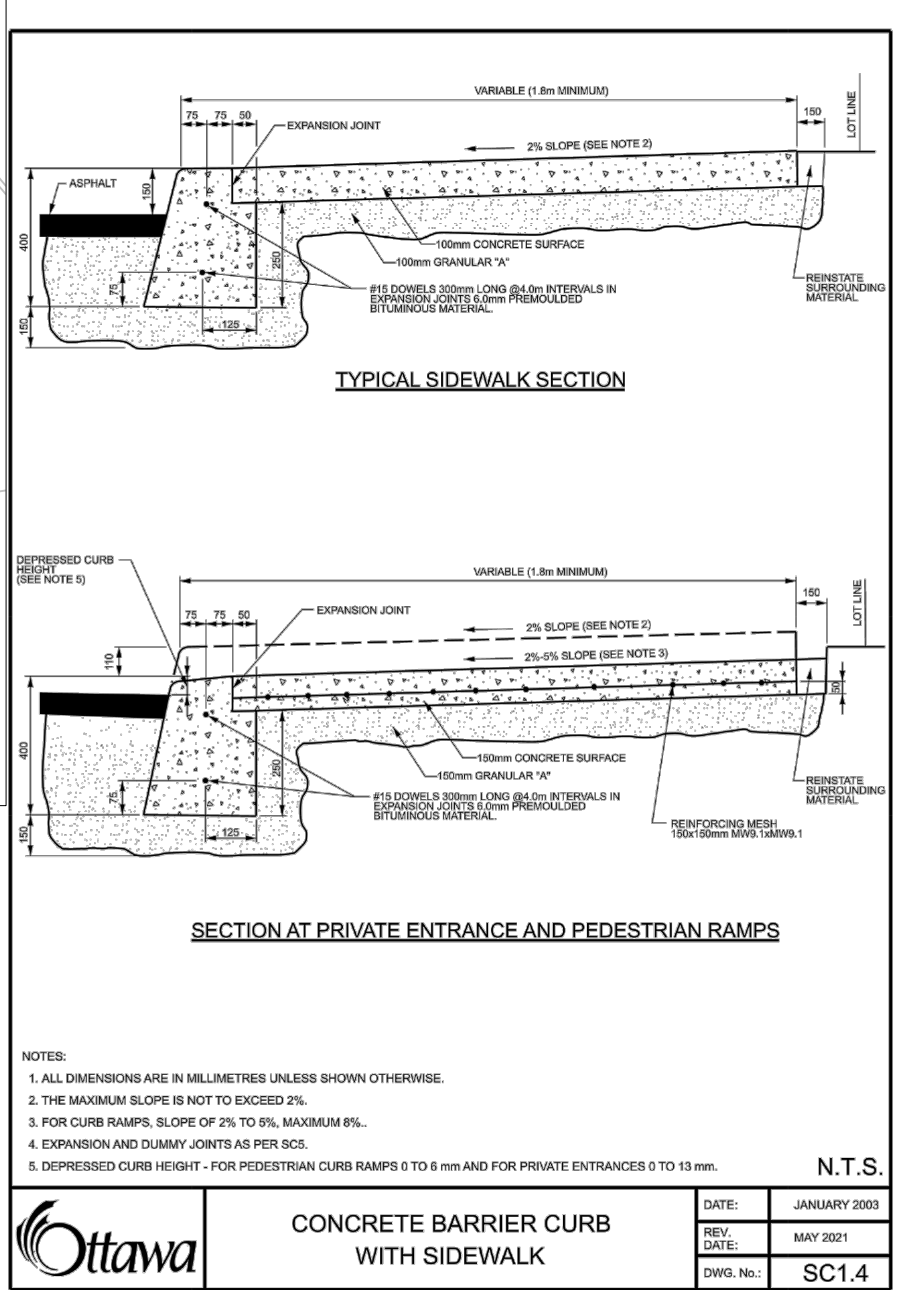
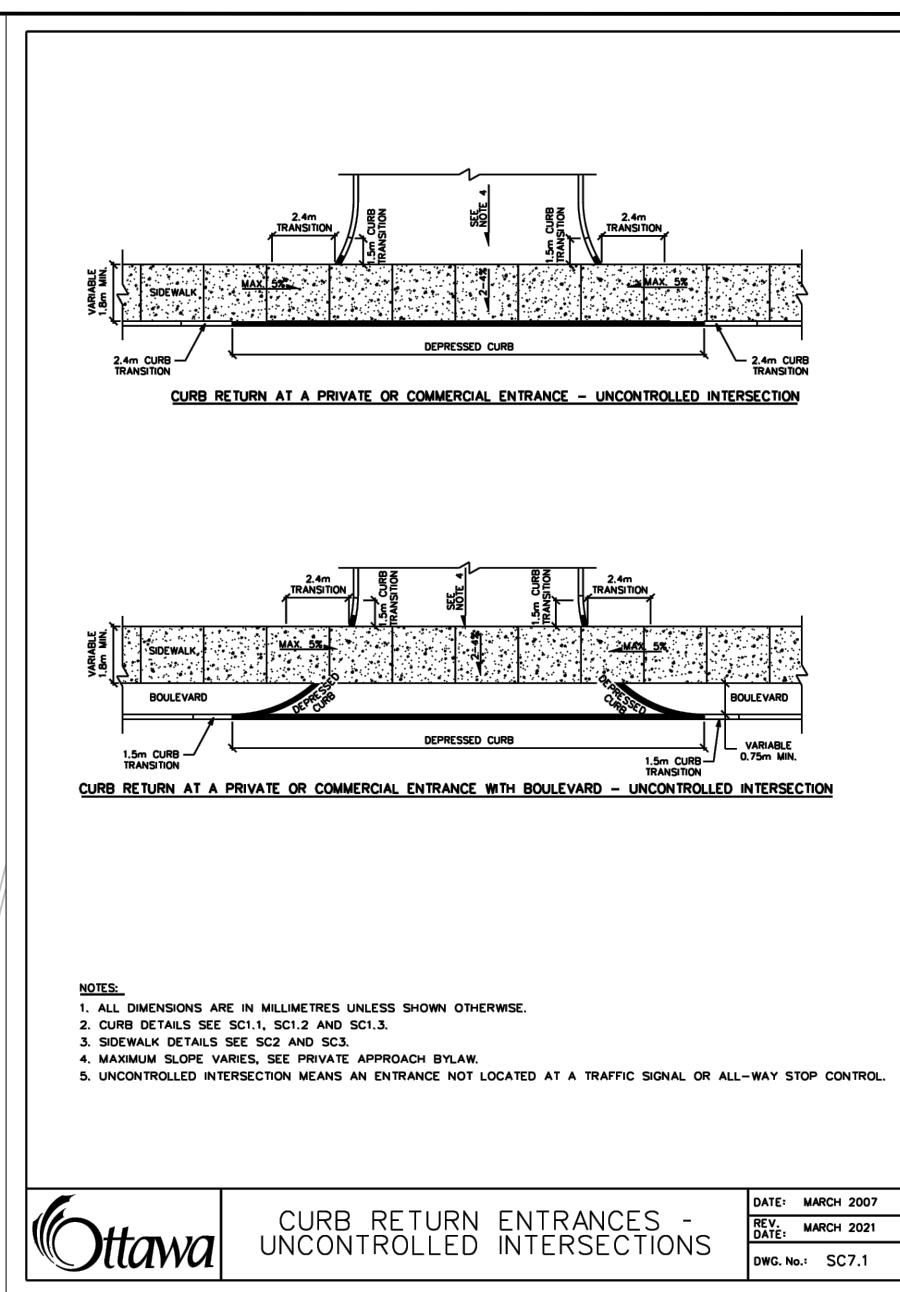
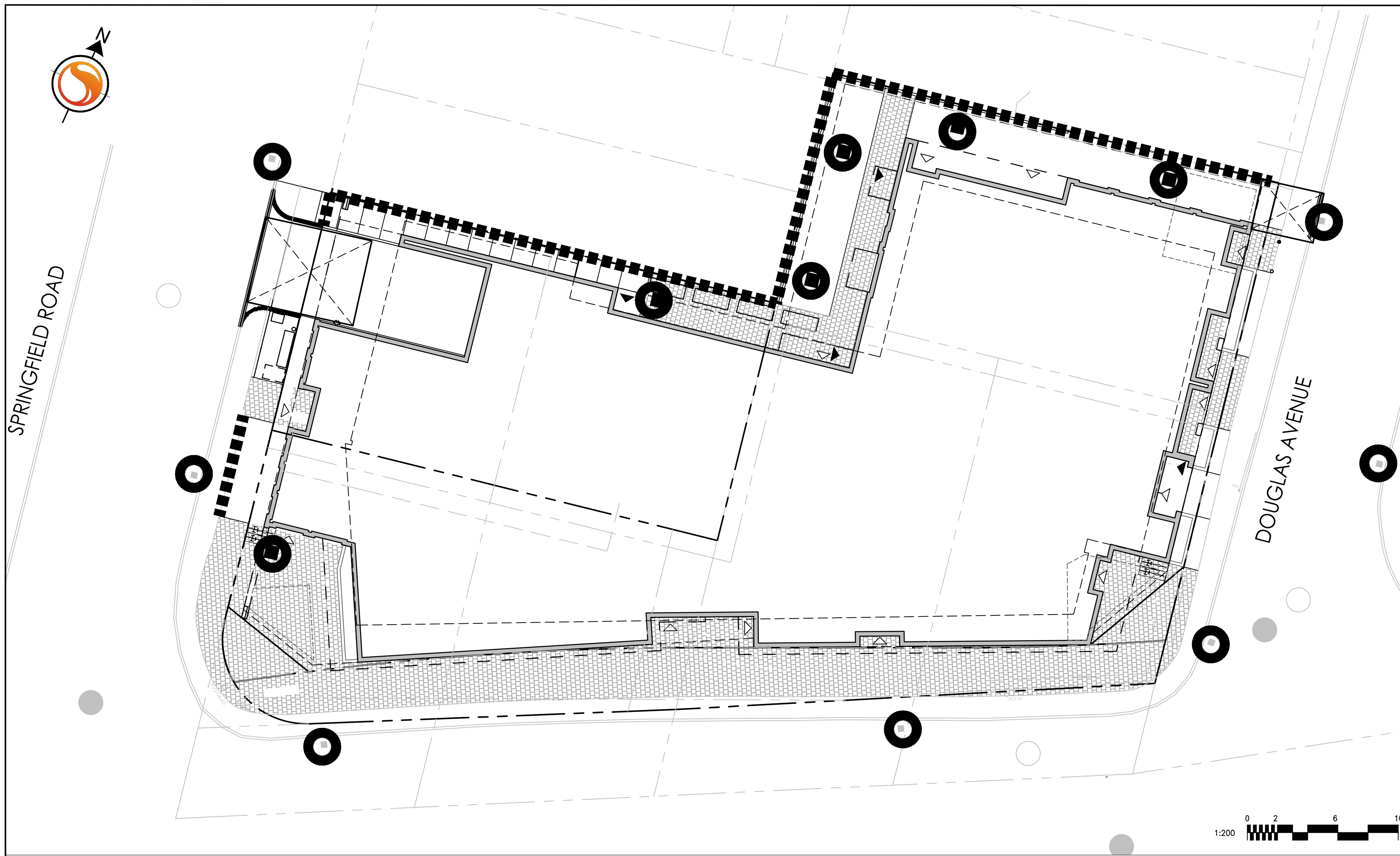
| Permit/Seal | TM | KK | TM | 23.03.15 |
|-------------|------|-------|------|----------|
| | Dwn. | Chkd. | Dgn. | YY.MM.DD |

Client/Project
Project Studio
47 BEECHWOOD AVENUE
OTTAWA, ONTARIO, CANADA

Title
EROSION CONTROL AND DETAILS SHEET

| Project No. | Scale |
|-------------|-------|
| 160401784 | |

| Drawing No. | Sheet | Revision |
|-------------|--------|----------|
| EC-1 | 6 of 6 | 2 |



C:\Users\jg2923\OneDrive\Documents\160401784\Design\Drawings\160401784 DB.dwg
 2024/05/27 2:59:59 PM by jg2923 (jg2923)