

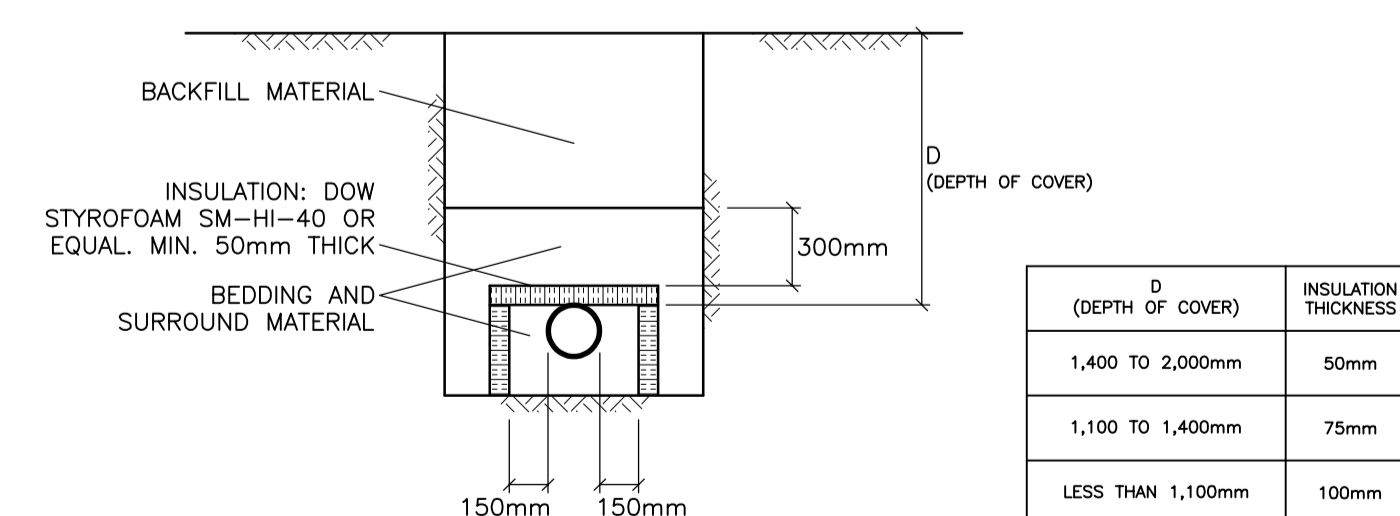
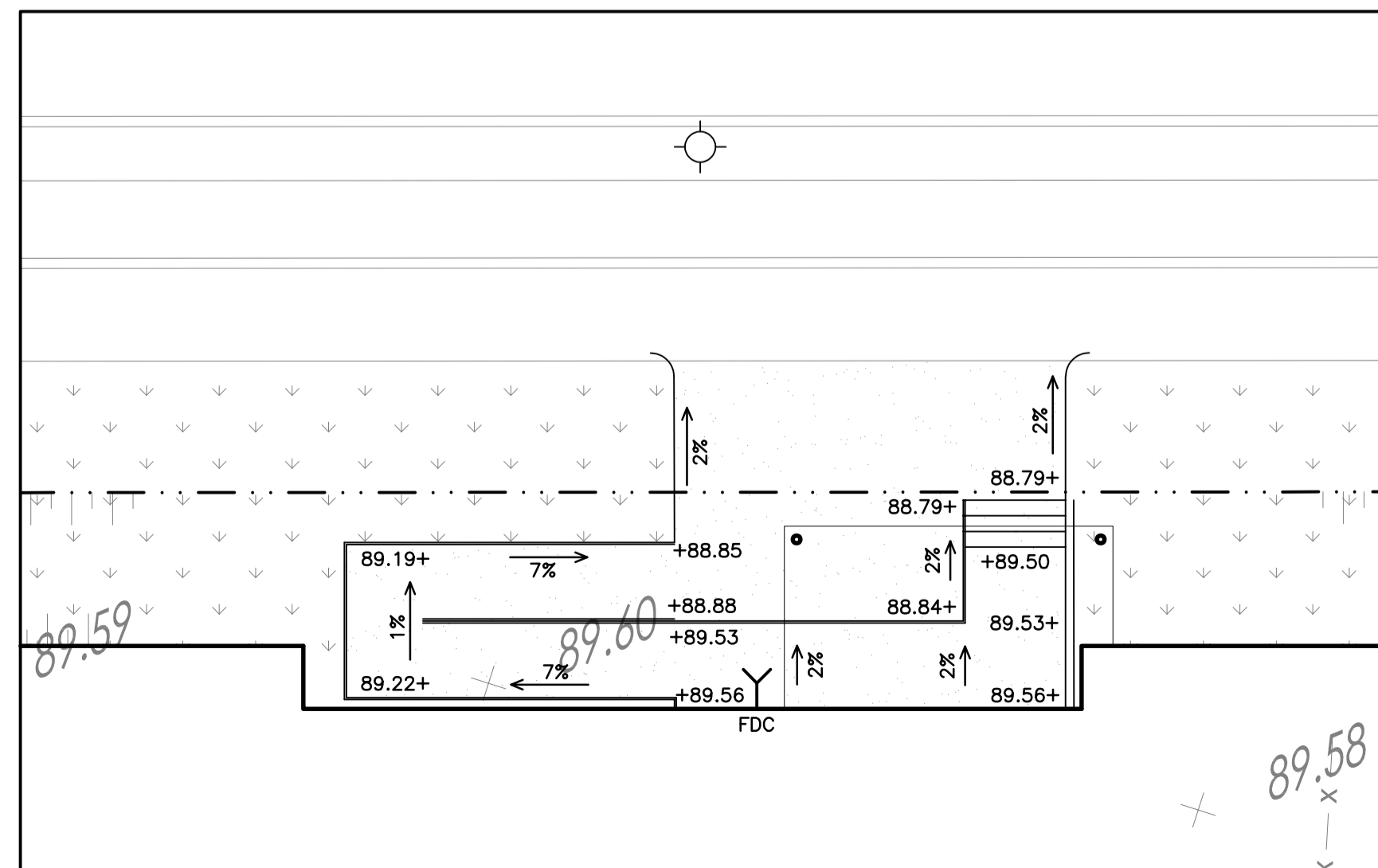
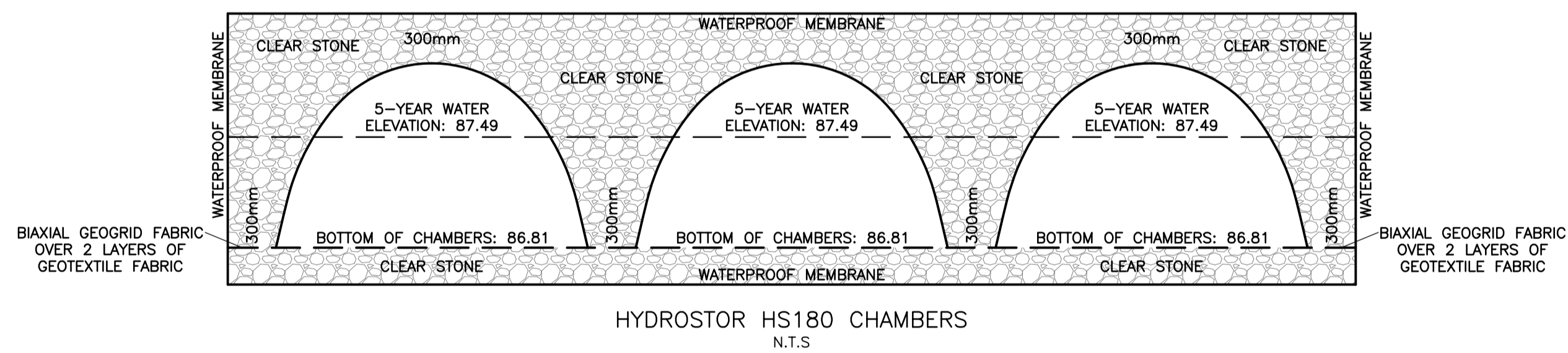
WATER SERVICE PROFILE TABLE

150mm PVC PRESSURE CLASS 235 DR18

STATION	DESCRIPTION	GRADE ELEVATION	TOP OF PIPE	DEPTH OF COVER	NOTES
A+00.0	300mm x 150mm TEE IN 300mm MUNICIPAL WATERMAIN	±88.46	±86.06	±2.40	CONNECTION BY CITY. EXCAVATION, BACKFILL & REINSTATEMENT BY CONTRACTOR.
A+09.5	150mm VALVE BOX	88.78	86.06	2.72	ON PROPERTY LINE
A+10.8	-	88.63	86.06	2.57	CROSSING 250 ST INV 87.51 WM TOP 86.06 - 1450mm CLEARANCE (MIN. 500mm REQ'D)
A+13.7	-	89.41	86.06	3.35	ENTRY TO BUILDING
B+00.0	200mm x 150mm TEE IN 200mm MUNICIPAL WATERMAIN	±88.83	±86.29	±2.54	CONNECTION BY CITY. EXCAVATION, BACKFILL & REINSTATEMENT BY CONTRACTOR.
B+09.0	150mm VALVE BOX	±88.69	86.29	±2.40	ON PROPERTY LINE
B+14.8	-	89.41	86.29	3.12	ENTRY TO BUILDING
C+00.0	-	89.41	86.28	3.13	CONNECTION TO BUILDING PLUMBING SYSTEM (SEE MECHANICAL)
C+15.2	-	88.68	86.28	2.40	-
C+44.7	5' BEND	88.83	86.28	2.55	-
C+49.1	-	89.41	86.28	3.13	CONNECTION TO BUILDING PLUMBING SYSTEM (SEE MECHANICAL)
FH+00.0	200mm x 150mm TEE IN 200mm MUNICIPAL WATERMAIN	±88.37	±85.92	±2.45	CONNECTION BY CITY. EXCAVATION, BACKFILL & REINSTATEMENT BY CONTRACTOR.
FH+00.8	150mm VALVE BOX	±88.32	85.92	±2.40	-
FH+02.3	FIRE HYDRANT	±88.47	85.92	±2.55	-

CATCH-BASIN & MANHOLE SCHEDULE

REF	TOP	SIZE	TYPE	INVERT AT INLET	INVERT AT OUTLET	NOTES
STORM SEWER						
CB-1	88.58	600mm x 600mm	PRECAST CONCRETE CATCH-BASIN	-	87.53	IN ACCORDANCE WITH OPSD 705.010 & CITY OF OTTAWA STANDARDS - FRAME & COVER IN ACCORDANCE WITH CITY OF OTTAWA DRAWING No. S19
CB-2	88.82	600mm x 600mm	PRECAST CONCRETE CATCH-BASIN	-	87.77	IN ACCORDANCE WITH OPSD 705.010 & CITY OF OTTAWA STANDARDS - FRAME & COVER IN ACCORDANCE WITH CITY OF OTTAWA DRAWING No. S19
CB-3	88.78	600mm x 600mm	PRECAST CONCRETE CATCH-BASIN	-	87.73	IN ACCORDANCE WITH OPSD 705.010 & CITY OF OTTAWA STANDARDS - FRAME & COVER IN ACCORDANCE WITH CITY OF OTTAWA DRAWING No. S19
CB-4	88.76	600mm x 600mm	PRECAST CONCRETE CATCH-BASIN	-	87.71	IN ACCORDANCE WITH OPSD 705.010 & CITY OF OTTAWA STANDARDS - FRAME & COVER IN ACCORDANCE WITH CITY OF OTTAWA DRAWING No. S19
CB-5	88.73	600mm x 600mm	PRECAST CONCRETE CATCH-BASIN	-	87.68	IN ACCORDANCE WITH OPSD 705.010 & CITY OF OTTAWA STANDARDS - FRAME & COVER IN ACCORDANCE WITH CITY OF OTTAWA DRAWING No. S19
CB-6	88.70	600mm x 600mm	PRECAST CONCRETE CATCH-BASIN	-	87.65	IN ACCORDANCE WITH OPSD 705.010 & CITY OF OTTAWA STANDARDS - FRAME & COVER IN ACCORDANCE WITH CITY OF OTTAWA DRAWING No. S19
CB-7	88.69	600mm x 600mm	PRECAST CONCRETE CATCH-BASIN	-	87.64	IN ACCORDANCE WITH OPSD 705.010 & CITY OF OTTAWA STANDARDS - FRAME & COVER IN ACCORDANCE WITH CITY OF OTTAWA DRAWING No. S19
CB-8	88.58	600mm x 600mm	PRECAST CONCRETE CATCH-BASIN	-	87.53	IN ACCORDANCE WITH OPSD 705.010 & CITY OF OTTAWA STANDARDS - FRAME & COVER IN ACCORDANCE WITH CITY OF OTTAWA DRAWING No. S19
MH-9	88.99	1200mm	PRECAST CONCRETE MANHOLE	87.52(NW)	87.52(NE)	IN ACCORDANCE WITH OPSD 701.010 & CITY OF OTTAWA STANDARDS - FRAME & COVER IN ACCORDANCE WITH CITY OF OTTAWA DRAWING No. S25 & S24.1
CB-10	88.58	600mm x 600mm	PRECAST CONCRETE CATCH-BASIN	-	87.53	IN ACCORDANCE WITH OPSD 705.010 & CITY OF OTTAWA STANDARDS - FRAME & COVER IN ACCORDANCE WITH CITY OF OTTAWA DRAWING No. S19
CB-11	88.40	600mm x 600mm	PRECAST CONCRETE CATCH-BASIN	-	87.35	IN ACCORDANCE WITH OPSD 705.010 & CITY OF OTTAWA STANDARDS - FRAME & COVER IN ACCORDANCE WITH CITY OF OTTAWA DRAWING No. S19
MH-12	88.77	1200mm	PRECAST CONCRETE MANHOLE	87.48(NE) 87.33(SW)	87.32(NW)	IN ACCORDANCE WITH OPSD 701.010 & CITY OF OTTAWA STANDARDS - FRAME & COVER IN ACCORDANCE WITH CITY OF OTTAWA DRAWING No. S25 & S24.1
MH-13	88.69	1200mm	PRECAST CONCRETE CATCH-BASIN/MANHOLE	87.22(SE) 86.81(SW)	86.43(NW)	IN ACCORDANCE WITH OPSD 701.010 & CITY OF OTTAWA STANDARDS - FRAME & COVER IN ACCORDANCE WITH CITY OF OTTAWA DRAWING No. S25 & S24.1
CB-14	88.43	600mm x 600mm	PRECAST CONCRETE CATCH-BASIN	-	87.38	IN ACCORDANCE WITH OPSD 705.010 & CITY OF OTTAWA STANDARDS - FRAME & COVER IN ACCORDANCE WITH CITY OF OTTAWA DRAWING No. S19
MH-15A	88.63	1200mm	PRECAST CONCRETE CATCH-BASIN/MANHOLE	86.81(SW) 86.42(SE)	86.42(NW)	IN ACCORDANCE WITH OPSD 701.010 & CITY OF OTTAWA STANDARDS - FRAME & COVER IN ACCORDANCE WITH CITY OF OTTAWA DRAWING No. S25 & S24.1
MH-15B	88.58	1200mm	PRECAST CONCRETE CATCH-BASIN/MANHOLE	86.81(SW) 86.41(SE)	86.41(NW)	IN ACCORDANCE WITH OPSD 701.010 & CITY OF OTTAWA STANDARDS - FRAME & COVER IN ACCORDANCE WITH CITY OF OTTAWA DRAWING No. S25 & S24.1
CB-16	88.58	600mm x 600mm	PRECAST CONCRETE CATCH-BASIN	-	87.53	IN ACCORDANCE WITH OPSD 705.010 & CITY OF OTTAWA STANDARDS - FRAME & COVER IN ACCORDANCE WITH CITY OF OTTAWA DRAWING No. S19
CB/MH-17	88.58	1200mm	PRECAST CONCRETE CATCH-BASIN/MANHOLE	87.46(S)	87.46(NW)	IN ACCORDANCE WITH OPSD 701.010 & CITY OF OTTAWA STANDARDS - FRAME & COVER IN ACCORDANCE WITH CITY OF OTTAWA DRAWING No. S25 & S28.1
CB/MH-18	88.58	1200mm	PRECAST CONCRETE CATCH-BASIN/MANHOLE	87.39(SE)	87.39(NE)	IN ACCORDANCE WITH OPSD 701.010 & CITY OF OTTAWA STANDARDS - FRAME & COVER IN ACCORDANCE WITH CITY OF OTTAWA DRAWING No. S25 & S28.1
CB-19	88.40	600mm x 600mm	PRECAST CONCRETE CATCH-BASIN	-	87.35	IN ACCORDANCE WITH OPSD 705.010 & CITY OF OTTAWA STANDARDS - FRAME & COVER IN ACCORDANCE WITH CITY OF OTTAWA DRAWING No. S19
MH-20	88.63	1200mm	PRECAST CONCRETE CATCH-BASIN/MANHOLE	87.22(SW) 86.37(SE)	86.37(NW)	IN ACCORDANCE WITH OPSD 701.010 & CITY OF OTTAWA STANDARDS - FRAME & COVER IN ACCORDANCE WITH CITY OF OTTAWA DRAWING No. S25 & S24.1
CB/MH-21	88.58	1200mm	PRECAST CONCRETE CATCH-BASIN/MANHOLE	-	87.53	IN ACCORDANCE WITH OPSD 701.010 & CITY OF OTTAWA STANDARDS - FRAME & COVER IN ACCORDANCE WITH CITY OF OTTAWA DRAWING No. S25 & S28.1
CB/MH-22	88.58	1200mm	PRECAST CONCRETE CATCH-BASIN/MANHOLE	87.30(SW)	87.30(NE)	IN ACCORDANCE WITH OPSD 701.010 & CITY OF OTTAWA STANDARDS - FRAME & COVER IN ACCORDANCE WITH CITY OF OTTAWA DRAWING No. S25 & S28.1
MH-23	88.47	1200mm	PRECAST CONCRETE MANHOLE	87.20(SW) 86.29(SE)	86.29(NE)	IN ACCORDANCE WITH OPSD 701.010 & CITY OF OTTAWA STANDARDS - FRAME & COVER IN ACCORDANCE WITH CITY OF OTTAWA DRAWING No. S25 & S24.1 ICD IN OUTLET PIPE
MH-24	88.46	CDS PMSU2015-4	PRECAST CONCRETE MANHOLE	86.04(SW)	85.80(NW)	-
SANITARY SEWER						
MH-SA.1	88.73	1200mm	PRECAST CONCRETE MANHOLE	-	86.92	IN ACCORDANCE WITH OPSD 701.010 & CITY OF OTTAWA STANDARDS - FRAME & COVER IN ACCORDANCE WITH CITY OF OTTAWA DRAWING No. S25 & S24
MH-SA.2	88.69	1200mm	PRECAST CONCRETE MANHOLE	87.48(SW) 86.62(SE)	86.61(NW)	IN ACCORDANCE WITH OPSD 701.010 & CITY OF OTTAWA STANDARDS - FRAME & COVER IN ACCORDANCE WITH CITY OF OTTAWA DRAWING No. S25 & S24



INSULATE SEWERS AND SEWER SERVICES AS INDICATED AND WHERE DEPTH OF COVER IS LESS THAN 2,000mm. CENTER INSULATION OVER PIPE. STAGGER JOINTS BETWEEN SHEETS OF INSULATION.

INSULATION OF SEWERS & SEWER SERVICES
N.T.S

No.	DATE	REVISION
4	MAR 22-24	RE-ISSUED FOR APPROVAL
3	DEC 15-23	RE-ISSUED FOR APPROVAL
2	JUN 28-23	ISSUED FOR APPROVAL
1	JUN 26-23	ISSUED FOR COORDINATION

D. B. GRAY ENGINEERING INC.
Stormwater Management - Grading & Drainage - Storm & Sanitary Sewers - Watermain

700 Long Point Circle 613-425-8044
Ottawa, Ontario d.gray@dbgrayengineering.com

Project
PROPOSED 6-STORY APARTMENT BUILDINGS
1001 NOELLA LECLAIR WAY
OTTAWA, ONTARIO

Drawing Title
DETAILS & SCHEDULES

NOT VALID UNLESS SIGNED & DATED

Engineer's Seal
H. Scale D.B.G.
V. Scale
Date JUN 12-23
Job No. 22068

Drawing No.
C-5
of 6