



2023079 Innes Road - Electrical Drawing List
 INNES ROAD, OTTAWA, ONTARIO

DESCRIPTION	DRAWING NO.	SHEET NO.
Electrical Cover Page	E0.0	1
Electrical Legend, Single Line Diagram, Schedules & Details	E0.1	2
Electrical Site Lighting Photometrics	E1.0	3
Electrical Site Lighting Plan	E1.1	4



P: 780 244 0252 F: 780 244 0252
 Suite 1250 10130 103 St NW
 Edmonton, AB T5J 3N9
 info@designworkseing.com
 www.designworkseing.com
COPYRIGHT 2024
 DESIGN WORKS ENGINEERING LTD.

COPYRIGHT RESERVED
 THESE DRAWINGS AND DESIGN ARE THE EXCLUSIVE PROPERTY OF DESIGN WORKS ENGINEERING LTD. AND MAY NOT BE REPRODUCED IN ANY WAY OR FORM WITHOUT THE DIRECT WRITTEN PERMISSION OF DESIGN WORKS ENGINEERING LTD.

NOTES
 THIS DRAWING IS NOT TO BE USED FOR CONSTRUCTION UNLESS IT IS SIGNED AND SEALED, AND DRAWINGS HAVE BEEN ISSUED FOR CONSTRUCTION IN THE TABLE BELOW.
 DO NOT SCALE THIS DRAWING.

No.	Description	Date
1	ISSUED FOR REVIEW 30%	2023-05-30
2	ISSUED FOR REVIEW 50%	2023-07-28
3	ISSUED FOR REVIEW 75%	2024-01-03

ARCHITECT

CLIENT

SEAL	PERMIT

DRAWN BY: ACF
 CHECKED BY: SHERRY KALDAS
 ENGINEER: MOSES NORGA, P.ENG.
 PROJECT #: 2023079
 SCALE: AS NOTED

PROJECT

Innes Road

INNES ROAD, OTTAWA, ONTARIO

DESCRIPTION

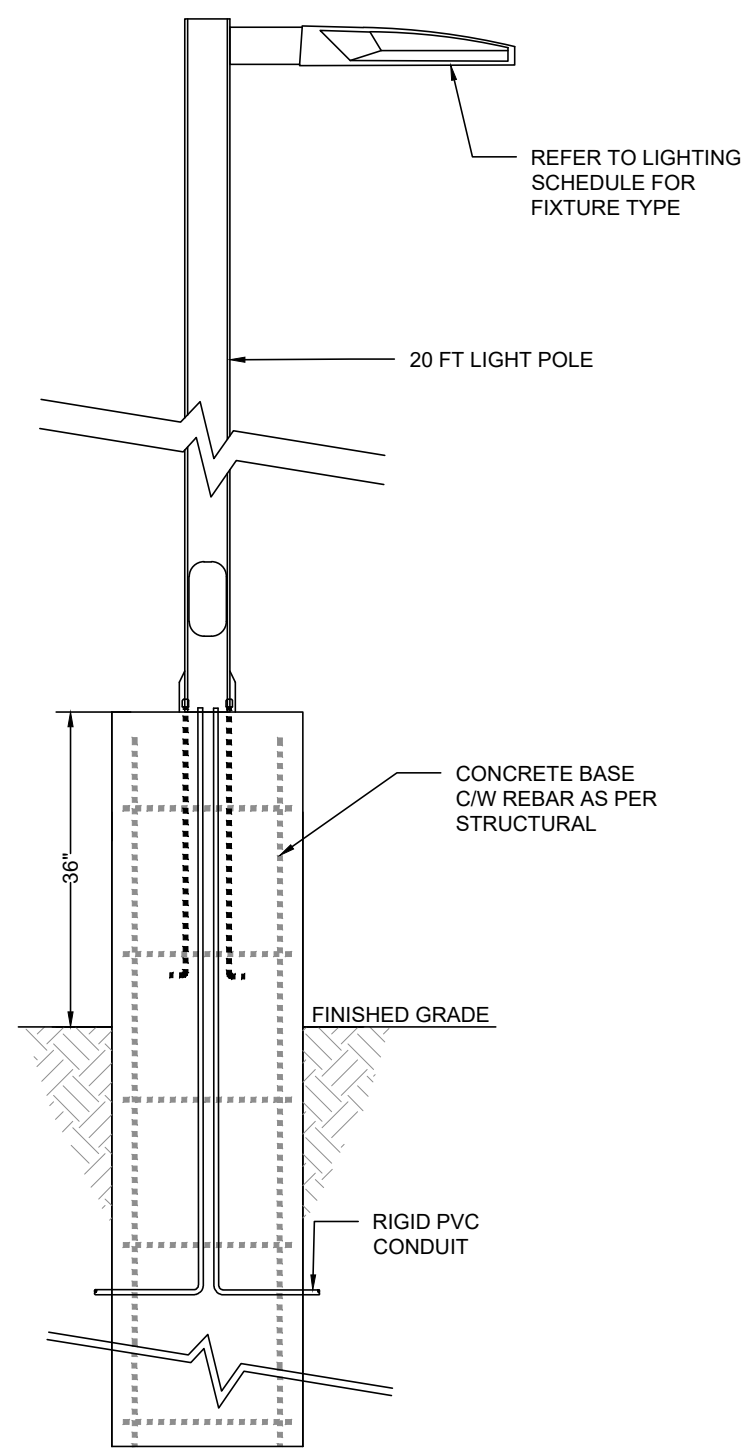
Electrical Cover Page

DRAWING NO.	SHEET
E0.0	1 4

ELECTRICAL SYMBOL LEGENDS

LIGHTING / SWITCHING

○	SURFACE CEILING MOUNTED LUMINAIRE
⊙	SURFACE CEILING MOUNTED EMERGENCY POWERED LUMINAIRE
○	RECESSED CEILING MOUNTED LED DOWNLIGHT
⊙	RECESSED CEILING MOUNTED EMERGENCY POWERED LUMINAIRE
○	SUSPENDED CEILING MOUNTED LUMINAIRE
⊙	SUSPENDED CEILING MOUNTED EMERGENCY POWERED LUMINAIRE
○	WALL MOUNTED LUMINAIRE
⊙	WALL MOUNTED EMERGENCY POWERED LUMINAIRE
○	SURFACE OR SUSPENDED MOUNTED LUMINAIRE
⊙	SURFACE OR SUSPENDED MOUNTED EMERGENCY POWERED LUMINAIRE
□	RECESSED MOUNTED LUMINAIRE
□	TRACK TYPE LUMINAIRE (REFER TO FIXTURE SCHEDULE FOR HEAD COUNTS AND TRACK LENGTHS)
□	POLE MOUNTED LUMINAIRE (QUANTITY OF HEADS AS SHOWN ON PLAN)
⊗	BOLLARD TYPE LUMINAIRE
⚡	SINGLE POLE SWITCH
⚡ ₃	THREE WAY OR FOUR WAY SWITCH
⚡ _K	KEY-OPERATED SWITCH
⚡ _D	DIMMER SWITCH
⚡ _V	SWITCH CW VACANCY SENSOR
⚡ _{VD}	DIMMER SWITCH CW VACANCY SENSOR
⚡ _O	SWITCH CW OCCUPANCY SENSOR
⚡ _T	TIMER SWITCH
Ⓞ	OCCUPANCY SENSOR - CEILING MOUNTED (PROVIDE TYPE SUIT COVERAGE)
Ⓞ	VACANCY SENSOR - CEILING MOUNTED (PROVIDE TYPE SUIT COVERAGE)
Ⓞ	TIMECLOCK CONTROLLER
Ⓞ	PHOTOCELL CONTROLLER



2 Pole Mounted Luminaire Base Detail
E0.1 Scale NTS

	LUMINAIRES	WALL MOUNT EXTERIOR LIGHT
	LAMP	LED, 3000K
	LUMENS	6037 LM
	BALLAST	LED DRIVER
	HOUSING	-
	LENS	-
	INPUT WATTAGE	58 W
	MOUNTING	EXTERIOR WALL SURFACE
	SPECIAL REQUIREMENTS	-
	ACCEPTABLE PRODUCTS	LUMARK - XTOR8B-W (OR APPROVED EQUIVALENT)
	LUMINAIRE TYPE	104

	LUMINAIRES	POLE LIGHTING
	LAMP	LED, 3000K
	LUMENS	14372 LM
	BALLAST	-
	HOUSING	-
	LENS	-
	INPUT WATTAGE	113 W
	MOUNTING	20FT POLE
	SPECIAL REQUIREMENTS	-
	ACCEPTABLE PRODUCTS	MCGRAW-EDISON - GLEON-SA2C-740-U-T4W (OR APPROVED EQUIVALENT)
	LUMINAIRE TYPE	110

	LUMINAIRES	WALL MOUNT EXTERIOR LIGHT
	LAMP	LED, 3000K
	LUMENS	2134 LM
	BALLAST	LED DRIVER
	HOUSING	-
	LENS	-
	INPUT WATTAGE	18.2 W
	MOUNTING	EXTERIOR WALL SURFACE
	SPECIAL REQUIREMENTS	-
	ACCEPTABLE PRODUCTS	LUMARK - XTOR2B (OR APPROVED EQUIVALENT)
	LUMINAIRE TYPE	111

3 Luminaire Schedules
E0.1 Scale NTS



P: 780 244 0252 F: 780 244 0252
Suite 1250 10130 103 St NW
Edmonton, AB T5J 3N9
info@designworkseing.com
www.designworkseing.com
COPYRIGHT 2024
DESIGN WORKS ENGINEERING LTD.

COPYRIGHT RESERVED

THESE DRAWINGS AND DESIGN ARE THE EXCLUSIVE PROPERTY OF DESIGN WORKS ENGINEERING LTD. AND MAY NOT BE REPRODUCED IN ANY WAY OR FORM WITHOUT THE DIRECT WRITTEN PERMISSION OF DESIGN WORKS ENGINEERING LTD.

NOTES

THIS DRAWING IS NOT TO BE USED FOR CONSTRUCTION UNLESS IT IS SIGNED AND SEALED, AND DRAWINGS HAVE BEEN ISSUED FOR CONSTRUCTION IN THE TABLE BELOW.

DO NOT SCALE THIS DRAWING.

No.	Description	Date
1	ISSUED FOR REVIEW 30%	2023-05-30
2	ISSUED FOR REVIEW 50%	2023-07-28
3	ISSUED FOR REVIEW 75%	2024-01-03

ARCHITECT

CLIENT

SEAL	PERMIT
------	--------

DRAWN BY:	ACF
CHECKED BY:	SHERRY KALDAS
ENGINEER:	MOSES NORGA, P.ENG.
PROJECT #:	2023079
SCALE:	AS NOTED

PROJECT	Innes Road
	INNES ROAD, OTTAWA, ONTARIO

DESCRIPTION	Electrical Legend, Single Line Diagram, Schedules & Details
DRAWING NO.	E0.1
SHEET	2/4

COPYRIGHT RESERVED

THESE DRAWINGS AND DESIGN ARE THE EXCLUSIVE PROPERTY OF DESIGN WORKS ENGINEERING LTD. AND MAY NOT BE REPRODUCED IN ANY WAY OR FORM WITHOUT THE DIRECT WRITTEN PERMISSION OF DESIGN WORKS ENGINEERING LTD.

NOTES

THIS DRAWING IS NOT TO BE USED FOR CONSTRUCTION UNLESS IT IS SIGNED AND SEALED, AND DRAWINGS HAVE BEEN ISSUED FOR CONSTRUCTION IN THE TABLE BELOW.

DO NOT SCALE THIS DRAWING.

No.	Description	Date
1	ISSUED FOR REVIEW 30%	2023-05-30
2	ISSUED FOR REVIEW 50%	2023-07-28
3	ISSUED FOR REVIEW 75%	2024-01-03

ARCHITECT

CLIENT

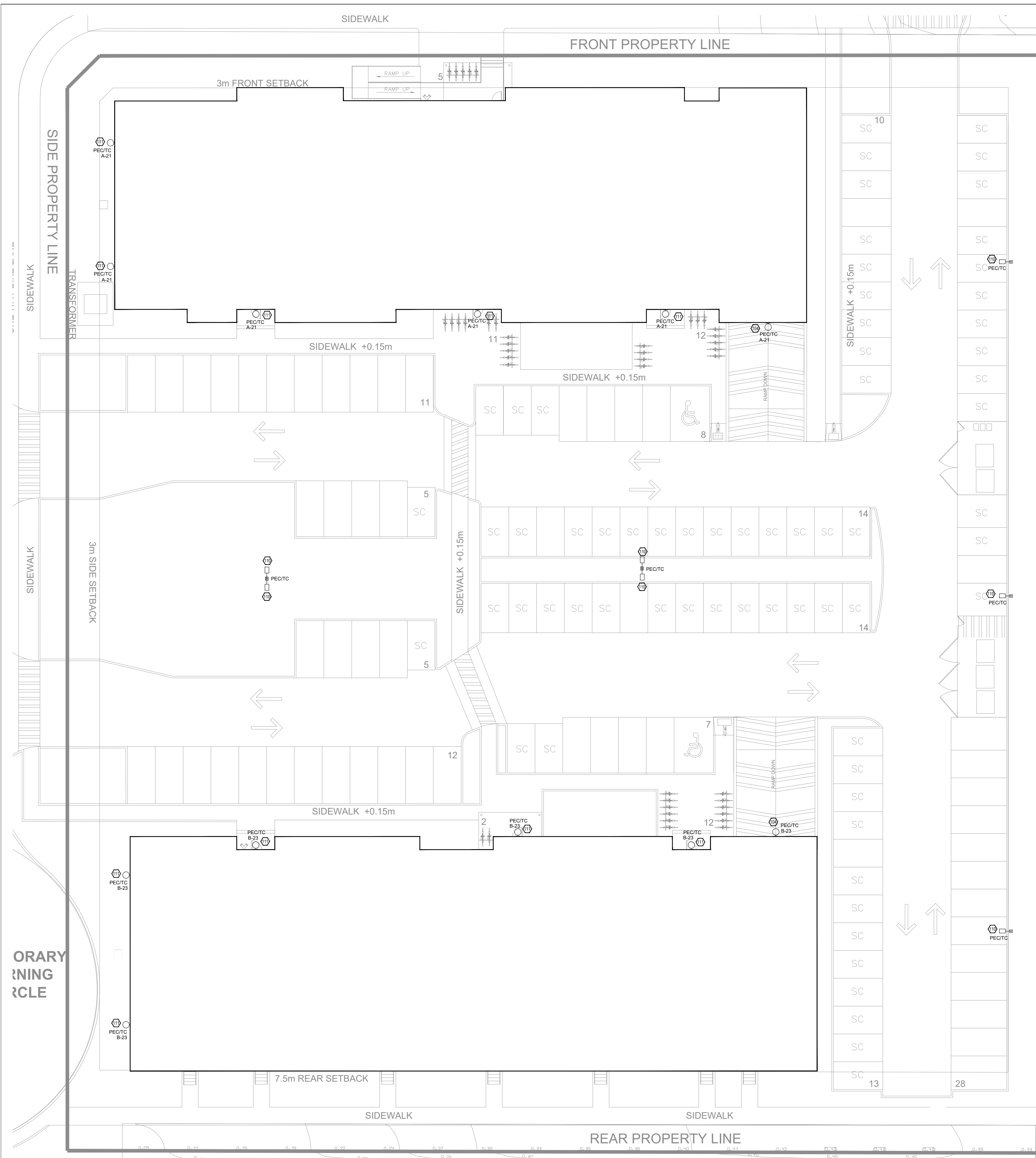
SEAL PERMIT

DRAWN BY: ACF
 CHECKED BY: SHERRY KALDAS
 ENGINEER: MOSES NORGA, P.ENG.
 PROJECT #: 2023079
 SCALE: AS NOTED

PROJECT
Innes Road
 INNES ROAD, OTTAWA, ONTARIO

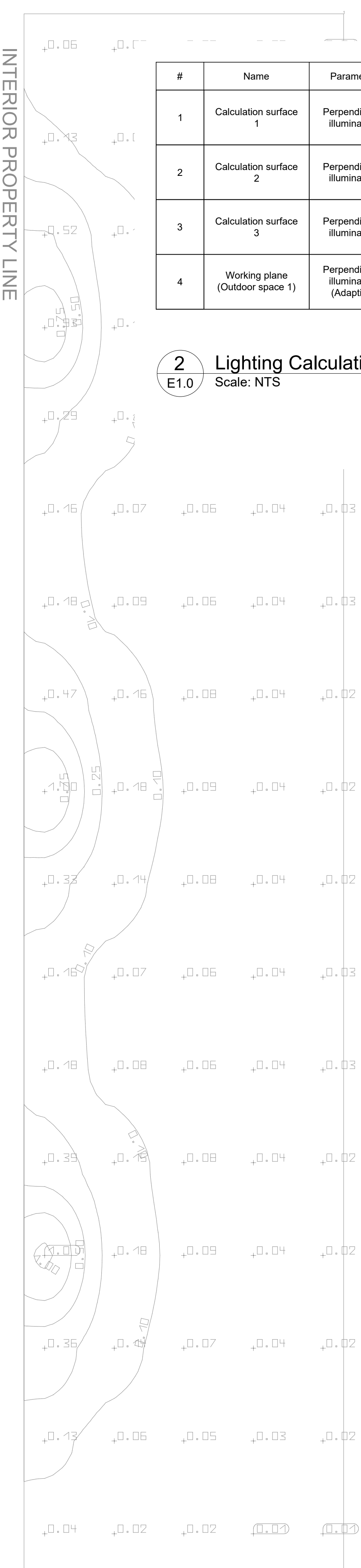
DESCRIPTION
Electrical Site Lighting Photometrics

DRAWING NO. **E1.0** SHEET **3** OF **4**



#	Name	Parameter	Min	Max	Average	Min/Average	Min/Max
1	Calculation surface 1	Perpendicular illuminance	0.012 fc	1.03 fc	0.12 fc	0.102	0.012
2	Calculation surface 2	Perpendicular illuminance	0.000 fc	0.18 fc	0.019 fc	0.00	0.00
3	Calculation surface 3	Perpendicular illuminance	0.000 fc	0.43 fc	0.039 fc	0.00	0.00
4	Working plane (Outdoor space 1)	Perpendicular illuminance (Adaptive)	0.19 fc	5.30 fc	1.44 fc	0.136	0.037

2 Lighting Calculations
 Scale: NTS



1 Electrical Site Lighting Photometrics
 Scale: 1/16"=1'-0"

COPYRIGHT RESERVED
THESE DRAWINGS AND DESIGN ARE THE EXCLUSIVE
PROPERTY OF DESIGN WORKS ENGINEERING LTD.
AND MAY NOT BE REPRODUCED IN ANY WAY OR FORM
WITHOUT THE DIRECT WRITTEN PERMISSION OF DESIGN WORKS
ENGINEERING LTD.

NOTES
THIS DRAWING IS NOT TO BE USED FOR CONSTRUCTION
UNLESS IT IS SIGNED AND SEALED, AND DRAWINGS HAVE BEEN
ISSUED FOR CONSTRUCTION IN THE TABLE BELOW.

DO NOT SCALE THIS DRAWING.

No.	Description	Date
1	ISSUED FOR REVIEW 30%	2023-05-30
2	ISSUED FOR REVIEW 50%	2023-07-28
3	ISSUED FOR REVIEW 75%	2024-01-03

ARCHITECT

CLIENT

SEAL	PERMIT
------	--------

DRAWN BY: ACF
CHECKED BY: SHERRY KALDAS
ENGINEER: MOSES NORGA, P.ENG.
PROJECT #: 2023079
SCALE: AS NOTED

PROJECT

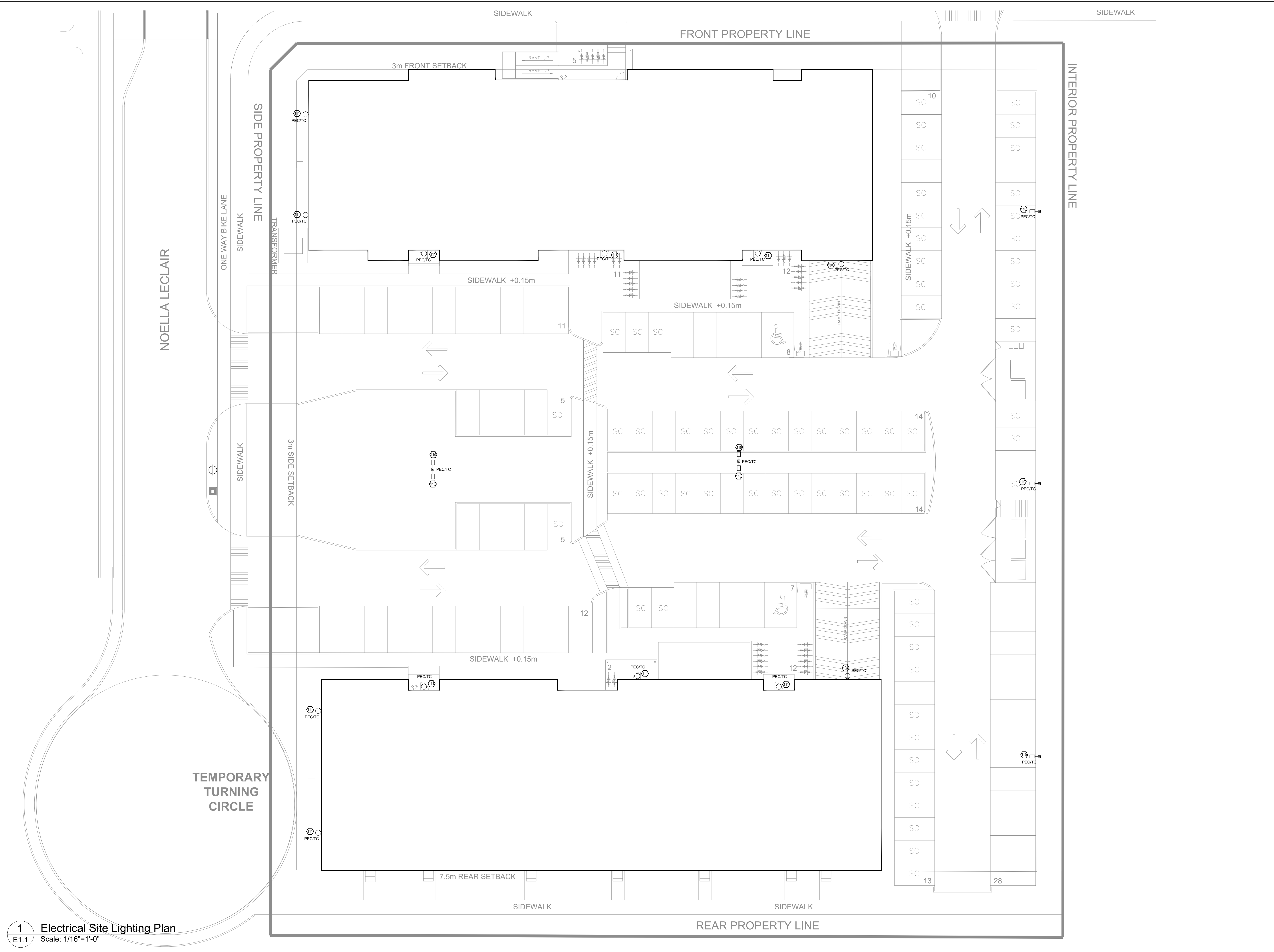
Innes Road

INNES ROAD, OTTAWA, ONTARIO

DESCRIPTION

**Electrical Site
Lighting Plan**

DRAWING NO.	SHEET
E1.1	4 / 4



1 Electrical Site Lighting Plan
Scale: 1/16"=1'-0"

DOT-12-23-0095 #19033