

5	2	2024/01/17	ISSUED FOR SITE PLAN CONTROL
4	1	2023/11/24	ISSUED FOR PHASE 3 SITE PLAN PRECONSULTATION
3	0	2023/09/28	ISSUED FOR BUILDING PERMIT
2	0	2023/09/21	ISSUED FOR SITE PLAN CONTROL
1	0	2023/07/19	ISSUED FOR SITE PLAN CONTROL

LES IDÉES, CONCEPTS, DISPOSITIONS ET PLANS MONTRÉS OU REPRÉSENTÉS PAR CE Dessin APPARTIENNENT À EDWARD J. CUHACI AND ASSOCIATES ARCHITECTS INC. ET ONT ÉTÉ CRÉÉS, ET DÉVELOPPÉS POUR ÊTRE UTILISÉS DANS LE CADRE DU PRÉSENT PROJET. ILS NE DOIVENT PAS ÊTRE UTILISÉS À D'AUTRES FINS NI COMMUNIQUÉS À QUI QUE CE SOIT SANS LA PERMISSION ÉCRITE DE EDWARD J. CUHACI AND ASSOCIATES ARCHITECTS INC.

L'ARCHITECTE DÉCLINE TOUTE RESPONSABILITÉ DÉCOULANT DE PROBLÈMES FAISANT SUITE AU NON RESPECT DES PLANS ET DEVIS OU DE L'INTENTION DU CONCEPT QU'ILS TRANSMETTENT, OU DE TOUTS PROBLÈMES POUVANT RÉSULTER DU DÉFAUT DE TIERS D'OBTENIR OU DE SUIVRE LES INSTRUCTIONS DE L'ARCHITECTE RELATIVEMENT AUX ERREURS, OMISSIONS, INCOHÉRENCES, AMBIGUITÉS OU CONTRADICTIONS ALLÉGUÉS.

L'ENTREPRENEUR DOIT VÉRIFIER TOUTES LES DIMENSIONS SUR PLACE ET INFORMER L'ARCHITECTE DE TOUT ÉCART AVANT LE DÉBUT DES TRAVAUX. NE PAS MESURER LES DESSINS À L'ÉCHELLE.

ALL IDEAS, DESIGNS, ARRANGEMENTS, AND PLANS INDICATED OR REPRESENTED BY THIS DRAWING ARE OWNED BY AND THE PROPERTY OF EDWARD J. CUHACI AND ASSOCIATES INC. AND WERE CREATED, EVOLVED, AND DEVELOPED FOR USE ON AND IN CONNECTION WITH THE SPECIFIED PROJECT. NONE OF THE IDEAS, DESIGNS, ARRANGEMENTS OR PLANS SHALL BE USED BY OR DISCLOSED TO ANY PERSON, FIRM, OR CORPORATION FOR ANY PURPOSE WHATSOEVER WITHOUT THE WRITTEN PERMISSION OF EDWARD J. CUHACI AND ASSOCIATES INC.

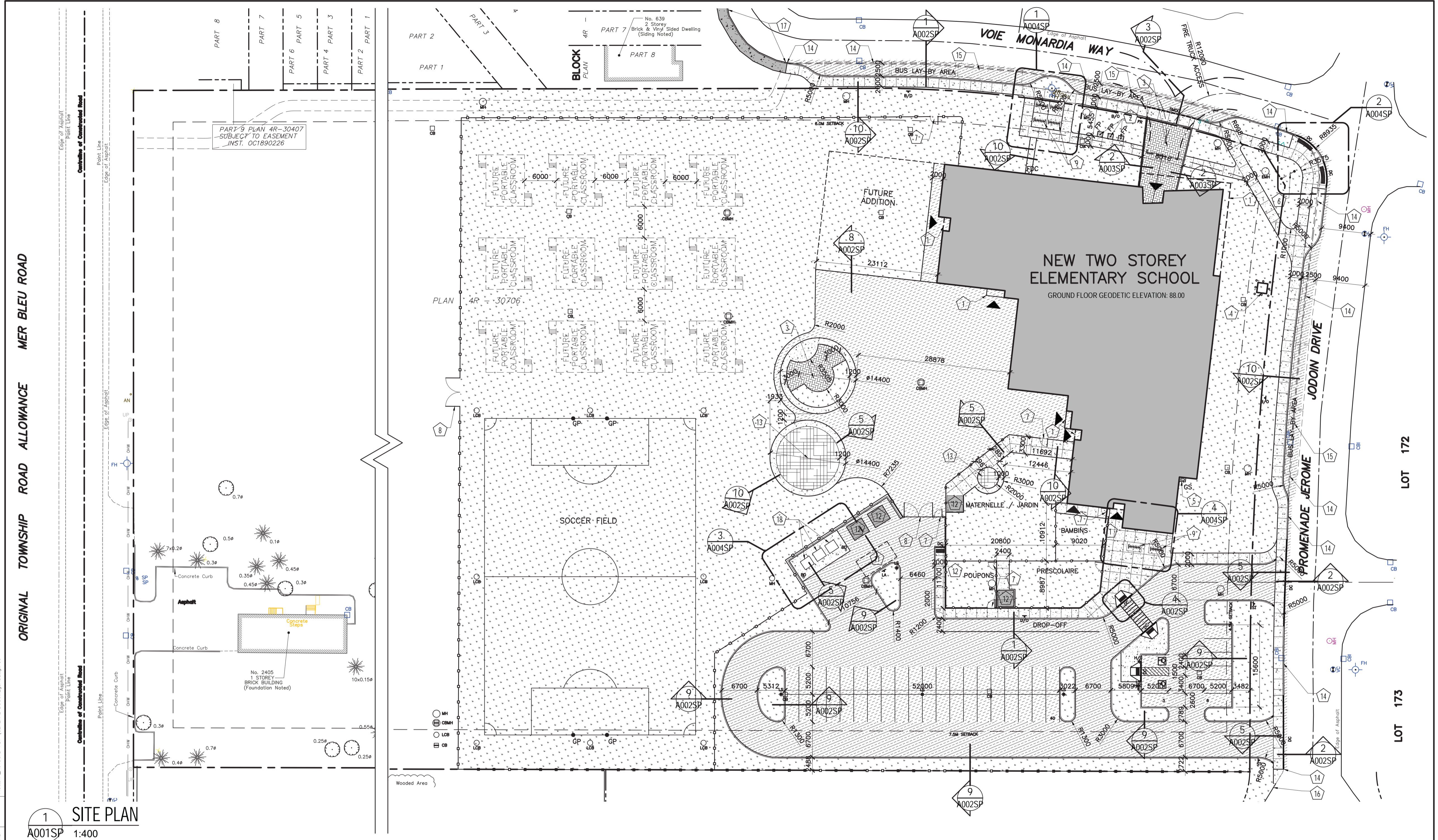
THE ARCHITECT WAIVES ANY AND ALL RESPONSIBILITY AND LIABILITY FOR PROBLEMS WHICH ARISE FROM FAILURE TO FOLLOW THESE PLANS, SPECIFICATIONS, AND THE DESIGN INTENT THEY CONVEY, OR FOR PROBLEMS WHICH ARISE FROM OTHERS' FAILURE TO OBTAIN AND/OR FOLLOW THE ARCHITECT'S GUIDANCE WITH RESPECT TO ANY ERRORS, OMISSIONS, INCONSISTENCIES, AMBIGUITIES OR CONFLICTS WHICH ARE ALLEGED.

CONTRACTOR TO VERIFY ALL DIMENSIONS AND NOTIFY THE ARCHITECT OF ANY DISCREPANCIES BEFORE WORK COMMENCES. DO NOT SCALE DRAWINGS

TRUE NORTH

PLAN NORTH

ONTARIO ASSOCIATION OF ARCHITECTS
ZOFIA ORLOVA-REWICZ
LICENCE 5281



1 SITE PLAN
A001SP 1:400

SITE DATA	
SITE AREA	40,483.9 m ²
FOOTPRINT	
NEW SCHOOL FOOTPRINT	2,371.0 m ²
PORTABLES FOOTPRINT	856.4 m ²
SCHOOL W/ PORTABLES FOOTPRINT	3,227.4 m ²
GROSS FLOOR AREA (AS PER CITY OF OTTAWA ZONING BY-LAW DEFINITION)	
NEW SCHOOL G.F.A. (INCLUDING DAYCARE)	2,560.4 m ²
PORTABLES GROSS FLOOR AREA	856.4 m ²
SCHOOL W/ PORTABLES GROSS FLOOR AREA	3,416.8 m ²
TOPOGRAPHICAL AND SURVEY INFORMATION PROVIDED BY ANNIS, O'SULLIVAN, VOLLEBEKK LTD.	
LEGAL DESCRIPTION: PART OF LOT 4, CONCESSION 11, Geographic Township of Cumberland, CITY OF OTTAWA	

PARKING CALCULATIONS				
MOTOR VEHICLE PARKING				
REQUIRED	USE	No. CLASS	SPACES PER	SPACES REQ'D
	ELEMENTARY SCHOOL	16	1.5/classroom	24
	FUTURE PORTABLE CLASSROOMS	12	1.5/classroom	18
	DAYCARE	262.0 m ²	2/ 100 m ²	6
TOTAL REQUIRED PARKING SPACES				48 SPACES
TOTAL REQUIRED ACCESSIBLE PARKING SPACES				1 SPACE
PROVIDED	SPACES @ 5.2mD X 2.6mW			47 SPACES
	TYPE A ACCESSIBLE PARKING SPACES @ 5.2mD X 3.4mW			1 SPACE
	TYPE B ACCESSIBLE PARKING SPACES @ 5.2mD X 2.4mW			1 SPACE
TOTAL SPACES PROVIDED				49 SPACES
BICYCLE PARKING				
REQUIRED	USE	GROSS AREA	SPACES PER	SPACES REQ'D
	SCHOOL	2,298.4 m ²	1 per 100 m ² of gross floor area	23 SPACES
	DAYCARE	262.0 m ²	1 per 250 m ² of gross floor area	2 SPACES
	PORTABLES	856.4 m ²	1 per 100 m ² of gross floor area	9 SPACES
TOTAL REQUIRED BICYCLE PARKING SPACES				34 SPACES
PROVIDED	TOTAL BICYCLE SPACES PROVIDED			54 SPACES

LEGEND	
	BARRIER FREE PARKING
	BUILDING ENTRANCE/EXIT
	CURB
	DEPRESSED CURB
	SEMI-MOUNTABLE DEPRESSED CURB
	NEW VINYL COATED CHAIN LINK FENCE, 1220 mm HIGH
	NEW VINYL COATED CHAIN LINK FENCE, 1830 mm HIGH
	ROAD CENTER LINE
	FIRE ROUTE
	SET BACK LINE
	PROPERTY LOT LINE
	BOLLARD, SEE DETAIL 6/A002SP
	GOAL POST, SEE DETAIL 4/A003SP
	NEW LIGHT STANDARD, SEE DETAIL 1/A003SP AND ELECTRICAL DRAWINGS
	EXISTING FIRE HYDRANT, SEE SURVEY
	FIRE DEPARTMENT CONNECTION, REFER TO MECHANICAL DRAWINGS
	NEW MANHOLE, REFER TO CIVIL DRAWINGS
	NEW CATCH BASIN MANHOLE, REFER TO CIVIL DRAWINGS
	NEW LANDSCAPE CATCH BASIN, REFER TO CIVIL DRAWINGS
	NEW CATCH BASIN

SITE PLAN NOTES	
1	CANOPY OR 2ND FLOOR ABOVE.
2	FLAGPOLES
3	UNIT PAVERS
4	TRANSFORMER/SWITCHGEAR CONCRETE PAD C/W BOLLARDS AS PER HYDRO ONE STANDARDS. COORDINATE LOCATION AND SIZE WITH ELECTRICAL DRAWINGS AND HYDRO ONE.
5	GAS STATION CONCRETE PAD C/W CHAIN LINK FENCE AND TOP AS PER ENBRIDGE STANDARDS. COORDINATE LOCATION AND SIZE WITH MECHANICAL DRAWINGS AND ENBRIDGE.
6	SCHOOL SIGN, SEE SITE DETAILS.
7	NEW 1500mm WIDE GATE IN CHAIN LINK FENCE
8	NEW 6000mm WIDE DOUBLE GATE IN CHAIN LINK FENCE, C/W FOOTBALL REST.
9	BIKE RACKS
10	CURB RAMP WITH FLARED SIDES AND DETECTABLE HAZARD INDICATOR, CONSTRUCTED TO CITY OF OTTAWA STANDARDS, SEE SPECIFICATIONS.
11	LOADING SPACE 3.5m x 7m
12	FUTURE STORAGE SHED N.I.C.
13	ENGINEERED WOOD FIBER PLAY AREA, SEE SPECIFICATIONS.
14	EXISTING ROAD CURB AND CONCRETE SIDEWALK TO BE REMOVED, ALSO REFER TO SURVEY DRAWINGS
15	PROVIDE DIAGONAL LINE PAINTING IN THE AREAS OF "BUS LAY-BY", 2500mm WIDE.
16	EDGE OF EXISTING TEMPORARY BUS TURN-AROUND
17	EXISTING CURB AND CONCRETE SIDEWALK TO REMAIN
18	SEMI-BURIED GARBAGE CONTAINER, REFER TO SPEC AND DETAILS

GENERAL NOTES	
1.	EXTENT OF CONTRACT IS LIMITED TO WITHIN SCHOOL AND PARK PROPERTIES, EXCEPT WHERE SHOWN OTHERWISE.
2.	ALL WORK OUTSIDE PROPERTY LINE TO BE CONSTRUCTED TO CITY OF OTTAWA CONSTRUCTION STANDARDS.
3.	PARKING STALL SIZE: 2600mm x 5200mm ACCESSIBLE PARKING STALL SIZE: 3700mm x 5200mm
4.	FOR LANDSCAPING/PLANTING DETAILS SEE DRAWING AS PREPARED BY JAMES B. LENNOX AND ASSOCIATES.
5.	FOR SOIL GRADING INFORMATION SEE GRADING AND DRAINAGE DRAWING AS PREPARED BY WSP.
6.	FOR SITE SERVICES INFORMATION SEE SITE SERVICES DRAWING AS PREPARED BY WSP.
7.	FOR SOIL INVESTIGATION REPORT REFER TO REPORT PREPARED BY EXP SERVICES INC.
8.	SLOPES OF CONCRETE/PAVING AT DEPRESSED CURBS SHALL NOT EXCEED 5%
9.	CONTRACTOR TO VERIFY ALL DIMENSIONS ON SITE AND REPORT ANY ERRORS TO THE ARCHITECT. CONTRACTOR TO COORDINATE WITH ALL DRAWINGS.
10.	FOR SITE SURVEY INFORMATION, SEE TOPOGRAPHIC SURVEY DRAWINGS AS PREPARED BY ANNIS, O'SULLIVAN, VOLLEBEKK LTD.
11.	PAINT PAVEMENT MARKINGS: PARKING SPACES AND SYMBOLS, PEDESTRIAN CROSSINGS AND WHERE SHOWN ON DRAWINGS.
12.	CONTRACTOR SHALL REINSTATE ALL AREAS AND SITE ITEMS LOCATED OUTSIDE THE PROPERTY LINE DAMAGED AS A RESULT OF NEW CONSTRUCTION.

CITY OF OTTAWA ZONING			
REQUIRED		PROVIDED	
INSTITUTIONAL ZONE 11A(2530)			
LOT AREA	MIN. 400m ²	40,483.9m ²	
FRONT YARD SETBACK	MIN. 6.0m	7.74m	
CORNER SIDE YARD SETBACK	MIN. 4.5m	8.56m	
INTERIOR SIDE YARD SETBACK	MIN. 7.5m	254.81m	
REAR YARD SETBACK	MIN. 7.5m	45.09m	
HEIGHT OF BUILDING	MAX. 20m	9.2m	
LANDSCAPING PROVISION FOR PARKING LOTS	MIN. 15%	21%	

EDWARD J. CUHACI & ASSOCIATES ARCHITECTS Inc.
171 Slater St, Suite 100, Ottawa, Ontario, K1P 5H7
Fax: (613) 236-1944 Telephone: (613) 236-7135 E-mail: info@cuhaci.com

PROJECT/TITRE DU PROJET
ÉCOLE ÉLÉMENTAIRE PUBLIQUE ORLÉANS SUD
675 MONARDIA WAY
OTTAWA, ONTARIO

CONSEIL DES ÉCOLES PUBLIQUES DE L'EST DE L'ONTARIO
2445 BOUL. ST-LAURENT, OTTAWA, ON

DRAWING/TITRE DU DESSIN
SITE PLAN

SCALE	PROJ. No	ISSUE No	REV. No
ECHELLE	AS SHOWN	2316	5 2

DRAWN BY
DESSINE PAR ST/DS

CHECKED BY
VÉRIFIÉ PAR XF

DATE
JUNE 2023

A001SP

ACAD FILE/FICHER: 2316-A001SP.DWG

5	2	2024/01/17	ISSUED FOR SITE PLAN CONTROL
4	1	2023/11/24	ISSUED FOR PHASE 3 SITE PLAN PRECONSULTATION
3	0	2023/09/28	ISSUED FOR BUILDING PERMIT
2	0	2023/09/21	ISSUED FOR SITE PLAN CONTROL
1	0	2023/07/19	ISSUED FOR SITE PLAN CONTROL

LES IDÉES, CONCEPTS, DISPOSITIONS ET PLANS MONTRÉS OU REPRÉSENTÉS PAR CE DESSIN APPARTIENNENT À EDWARD J. CUHACI AND ASSOCIATES ARCHITECTS INC. ET ONT ÉTÉ CRÉÉS, ET DÉVELOPPÉS POUR ÊTRE UTILISÉS DANS LE CADRE DU PRÉSENT PROJET. ILS NE DOIVENT PAS ÊTRE UTILISÉS À D'AUTRES FINS NI COMMUNIQUÉS À QUI QUE CE SOIT SANS LA PERMISSION ÉCRITE DE EDWARD J. CUHACI AND ASSOCIATES ARCHITECTS INC.

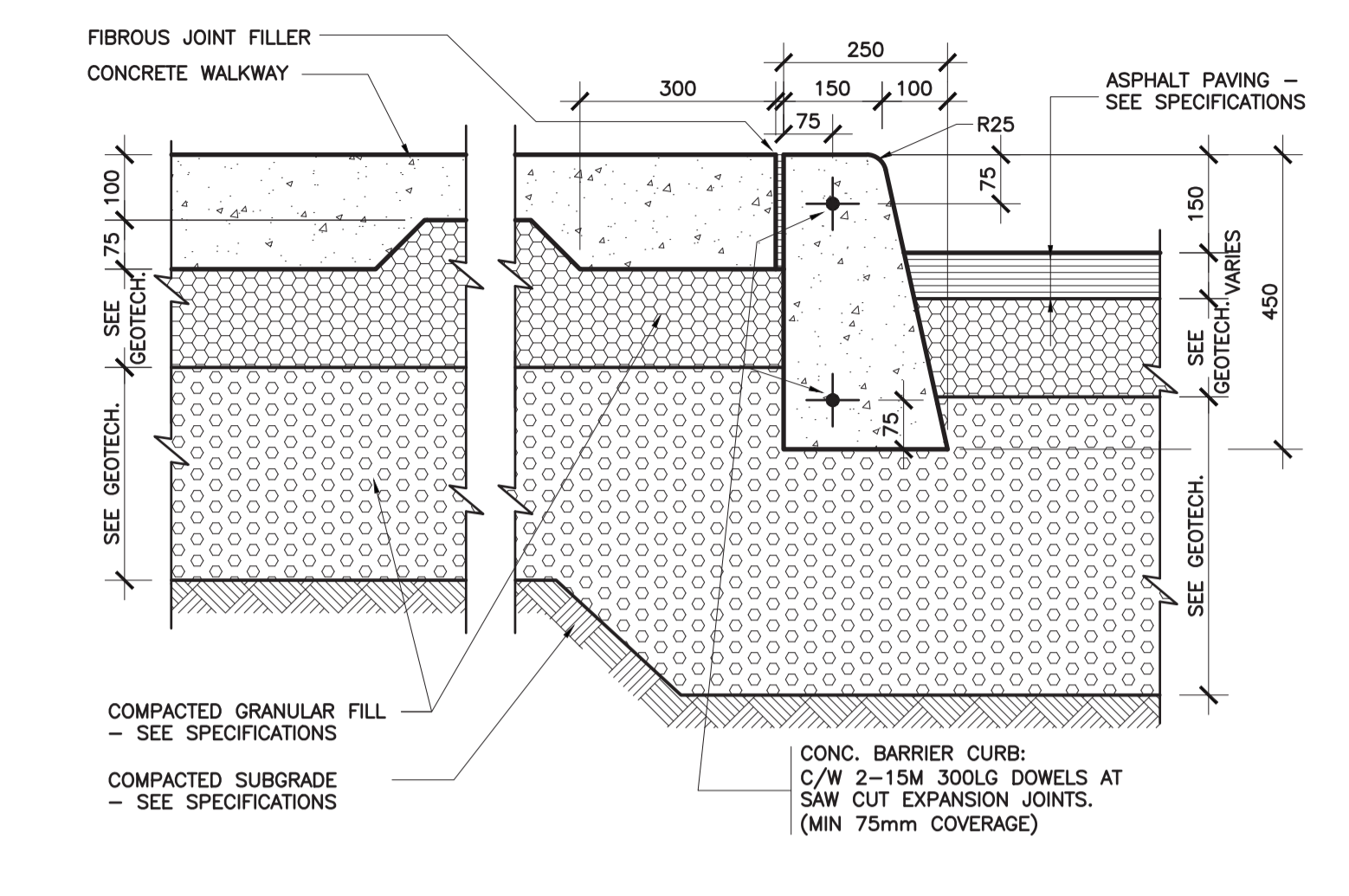
L'ARCHITECTE DÉCLINE TOUTE RESPONSABILITÉ DÉCOULANT DE PROBLÈMES FAISANT SUITE AU NON RESPECT DES PLANS ET DEVIS OU DE L'INTENTION DU CONCEPT QU'ILS TRANSMETTENT, OU DE TOUTS PROBLÈMES POUVANT RÉSULTER DU DÉFAUT DE TIERS D'OBTENIR OU DE SUIVRE LES INSTRUCTIONS DE L'ARCHITECTE RELATIVEMENT AUX ERREURS, OMISSIONS, INCOHÉRENCES, AMBIGÜITÉS OU CONTRADICTIONS ALLÉGUÉS.

L'ENTREPRENEUR DOIT VÉRIFIER TOUTES LES DIMENSIONS SUR PLACE ET INFORMER L'ARCHITECTE DE TOUT ÉCART AVANT LE DÉBUT DES TRAVAUX. NE PAS MESURER LES DESSINS À L'ÉCHELLE.

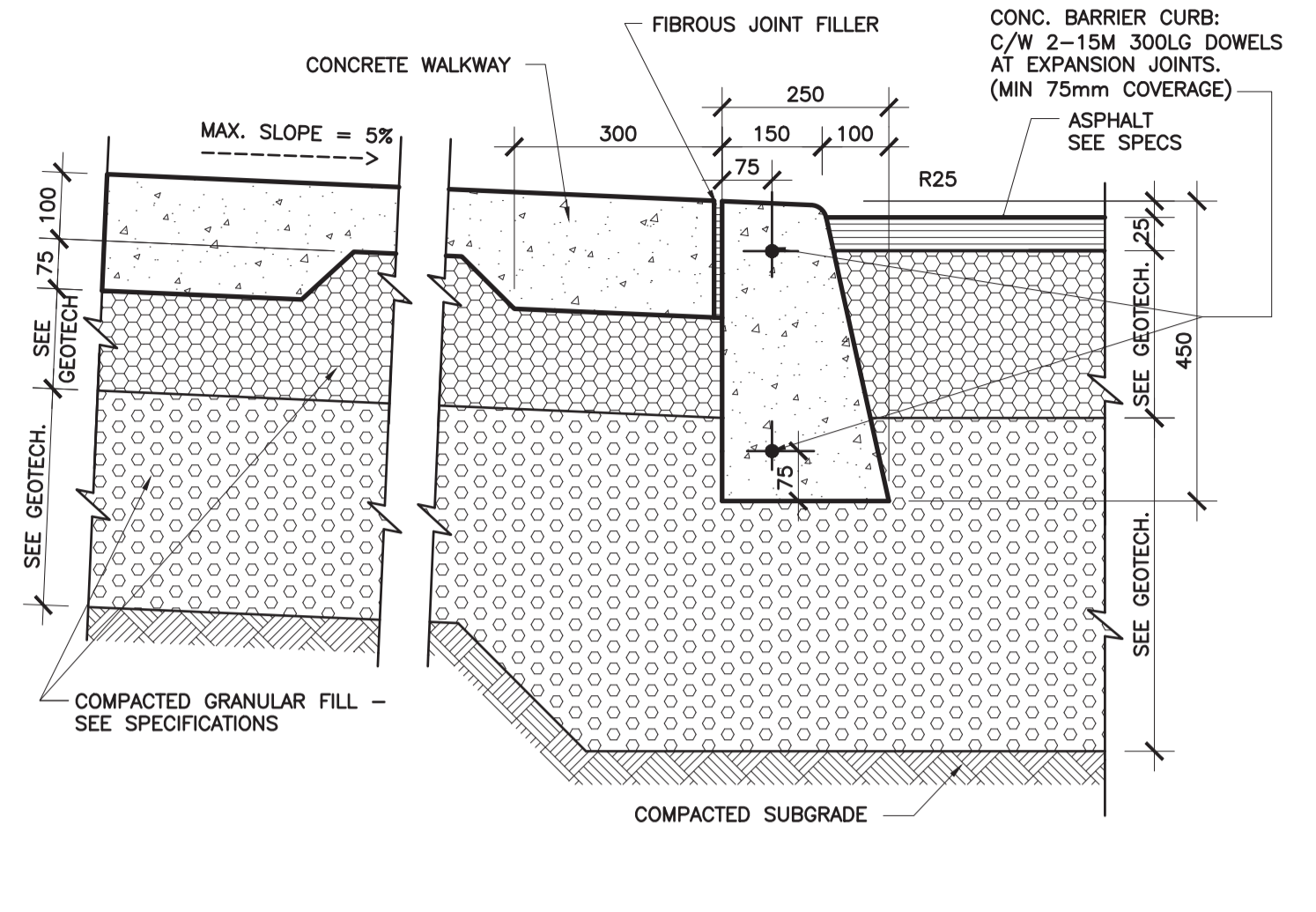
ALL IDEAS, DESIGNS, ARRANGEMENTS, AND PLANS INDICATED OR REPRESENTED BY THIS DRAWING ARE OWNED BY AND THE PROPERTY OF EDWARD J. CUHACI AND ASSOCIATES INC. AND WERE CREATED, EVOLVED, AND DEVELOPED FOR USE ON AND IN CONNECTION WITH THE SPECIFIED PROJECT. NONE OF THE IDEAS, DESIGNS, ARRANGEMENTS OR PLANS SHALL BE USED BY OR DISCLOSED TO ANY PERSON, FIRM, OR CORPORATION FOR ANY PURPOSE WHATSOEVER WITHOUT THE WRITTEN PERMISSION OF EDWARD J. CUHACI AND ASSOCIATES INC.

THE ARCHITECT WAIVES ANY AND ALL RESPONSIBILITY AND LIABILITY FOR PROBLEMS WHICH ARISE FROM FAILURE TO FOLLOW THESE PLANS, SPECIFICATIONS, AND THE DESIGN INTENT THEY CONVEY, OR FOR PROBLEMS WHICH ARISE FROM OTHERS' FAILURE TO OBTAIN AND/OR FOLLOW THE ARCHITECT'S GUIDANCE WITH RESPECT TO ANY ERRORS, OMISSIONS, INCONSISTENCIES, AMBIGUITIES OR CONFLICTS WHICH ARE ALLEGED.

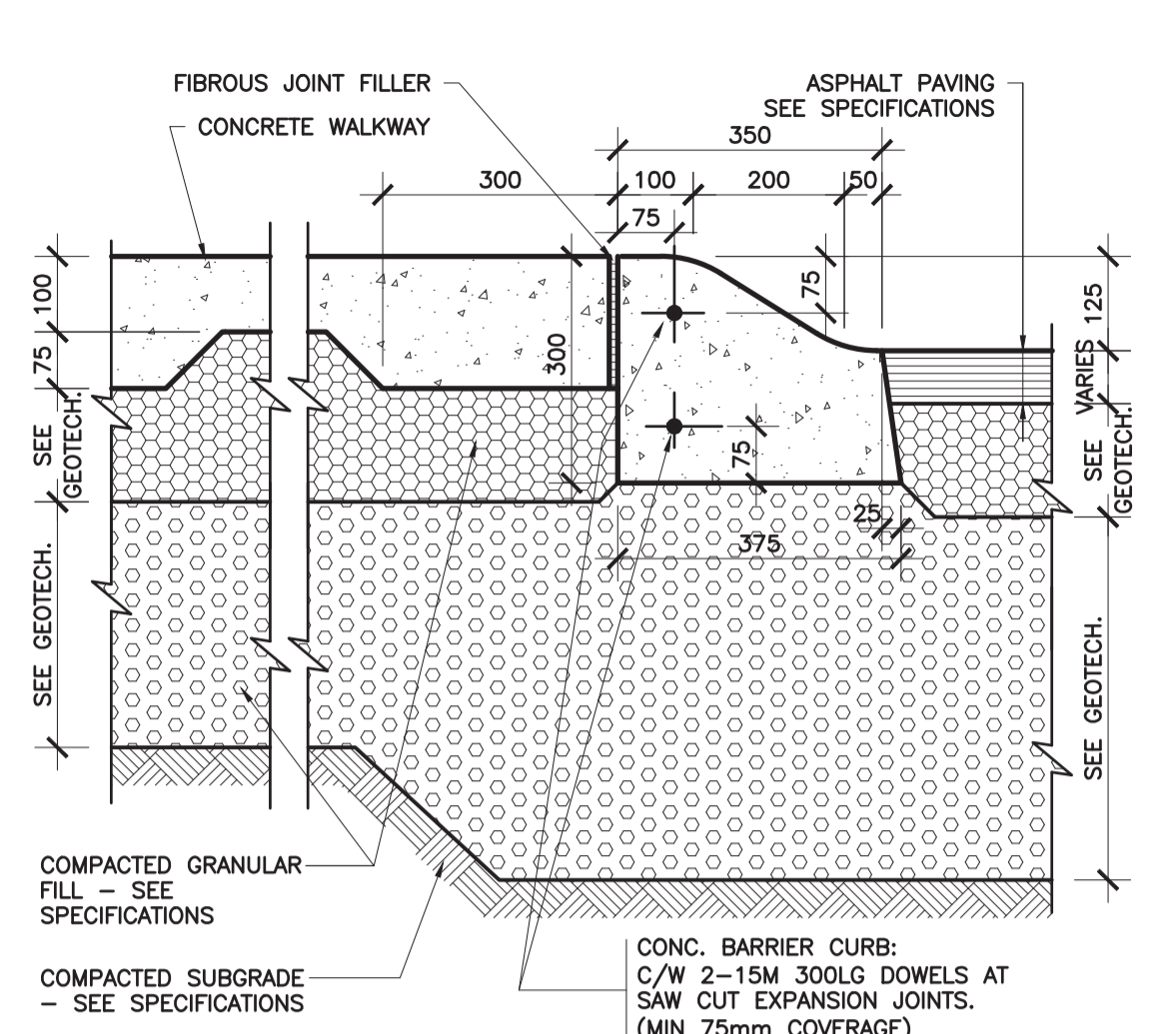
CONTRACTOR TO VERIFY ALL DIMENSIONS AND NOTIFY THE ARCHITECT OF ANY DISCREPANCIES BEFORE WORK COMMENCES. DO NOT SCALE DRAWINGS



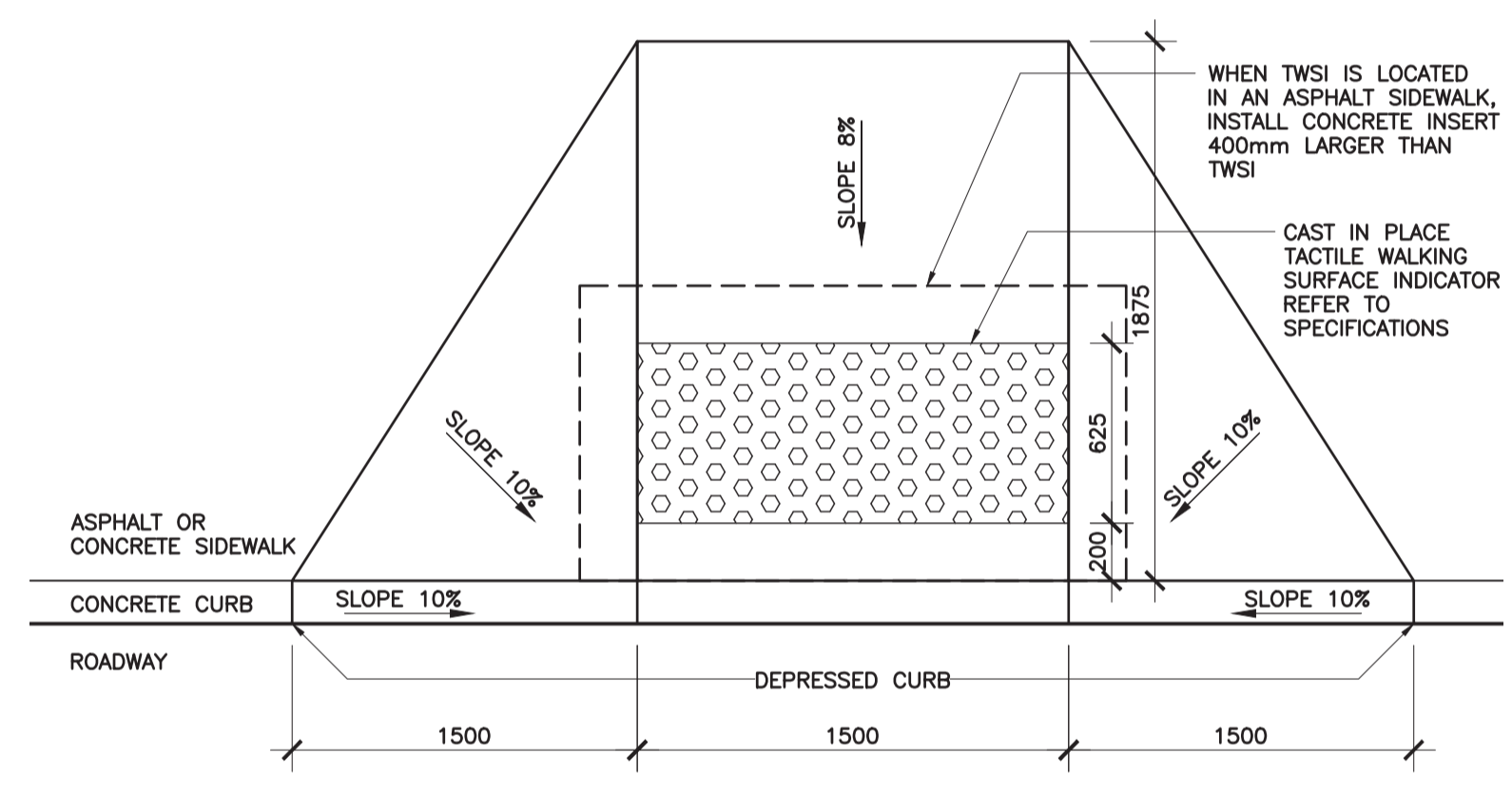
1
A002SP
SECTION DETAIL
CONCRETE WALK @ CURB
1:10



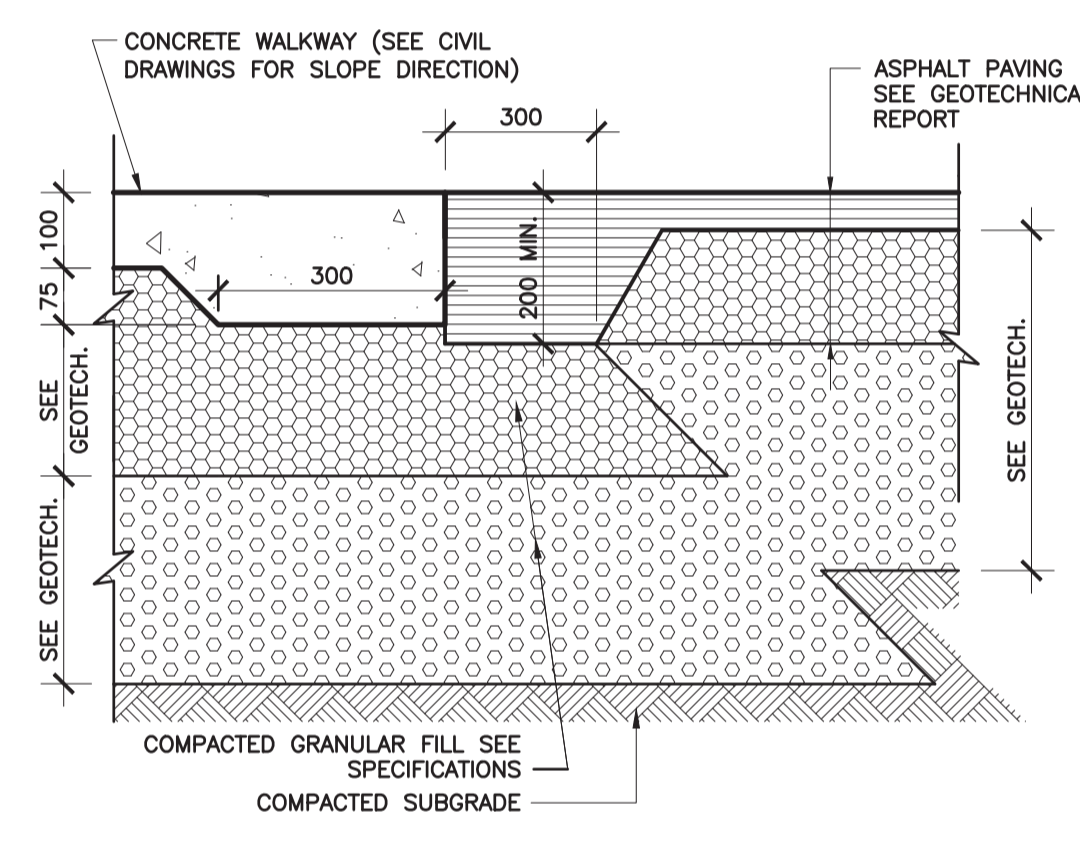
2
A002SP
SECTION DETAIL
CONCRETE WALK @ DC
1:10



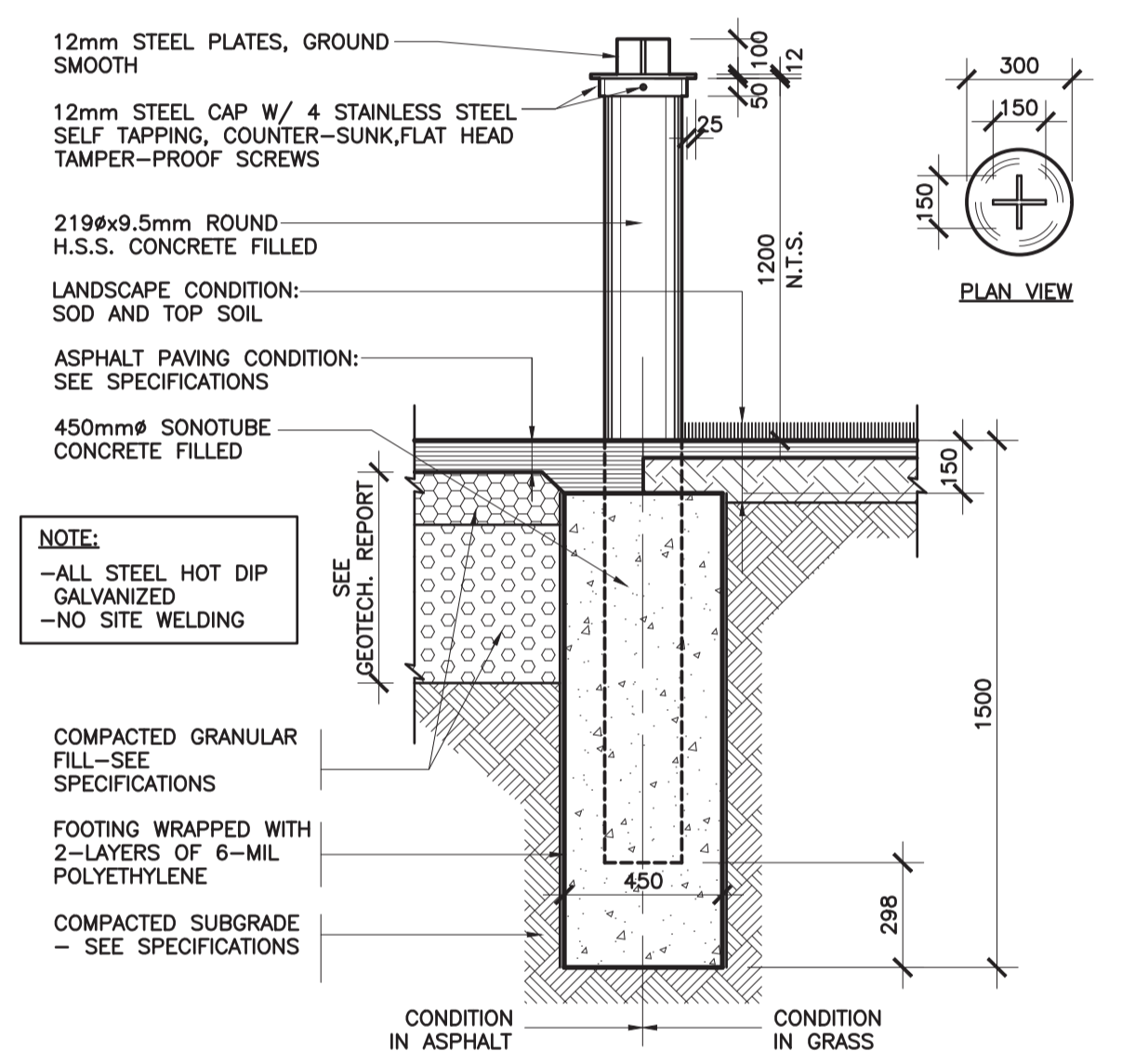
3
A002SP
SECTION DETAIL
CONCRETE WALK @ SEMI-MOUNTABLE DEPRESSED CURB
1:10



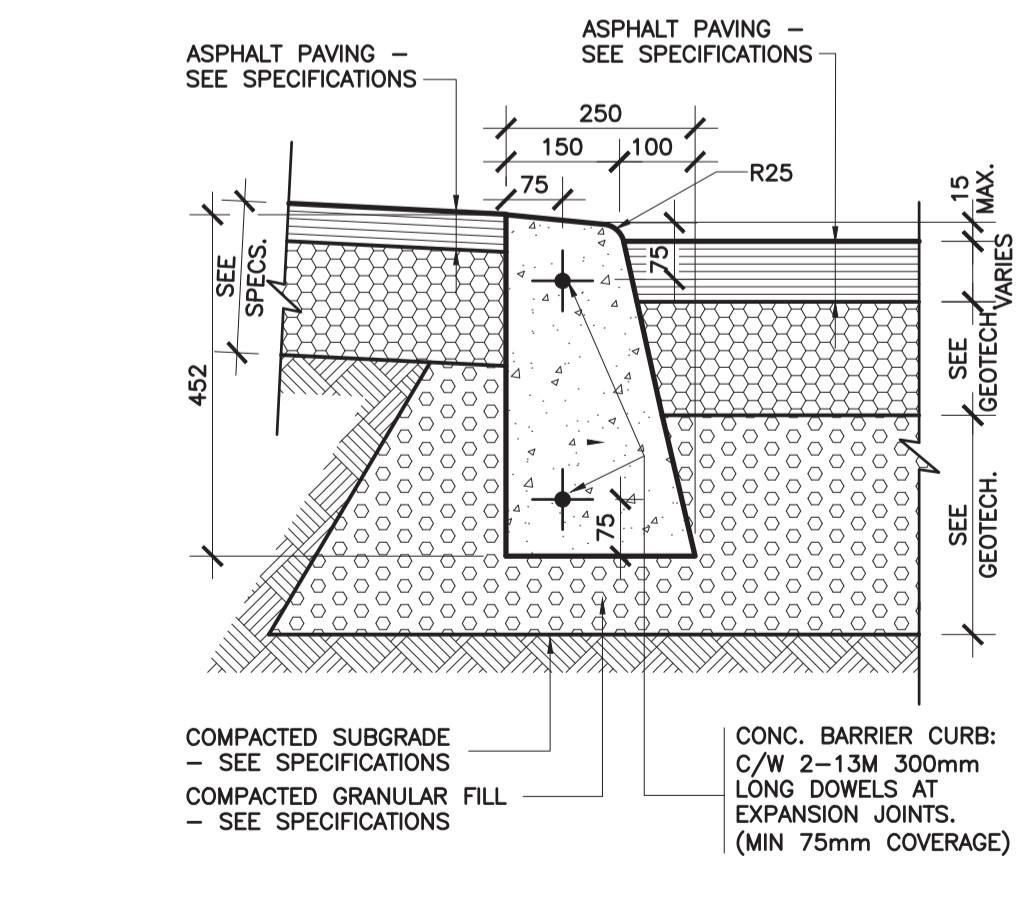
4
A002SP
PLAN DETAIL
TACTILE WALKING SURFACE INDICATOR (TWSI)
1:25



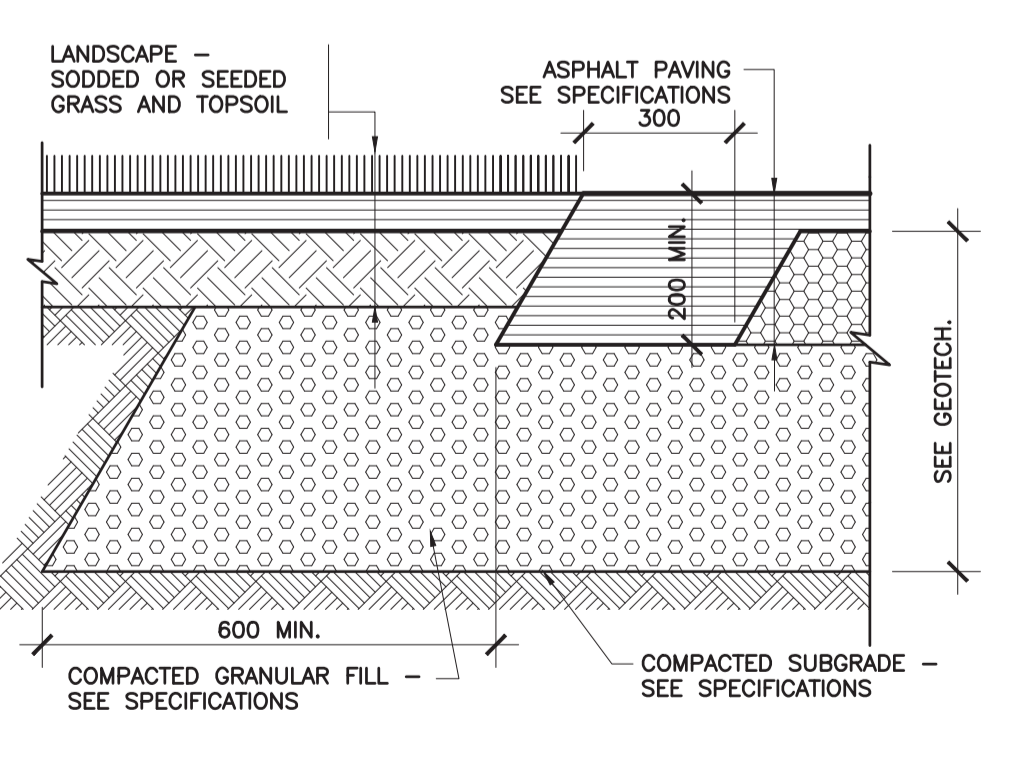
5
A002SP
SECTION DETAIL
CONCRETE WALK @ ASPHALT PAVING
1:10



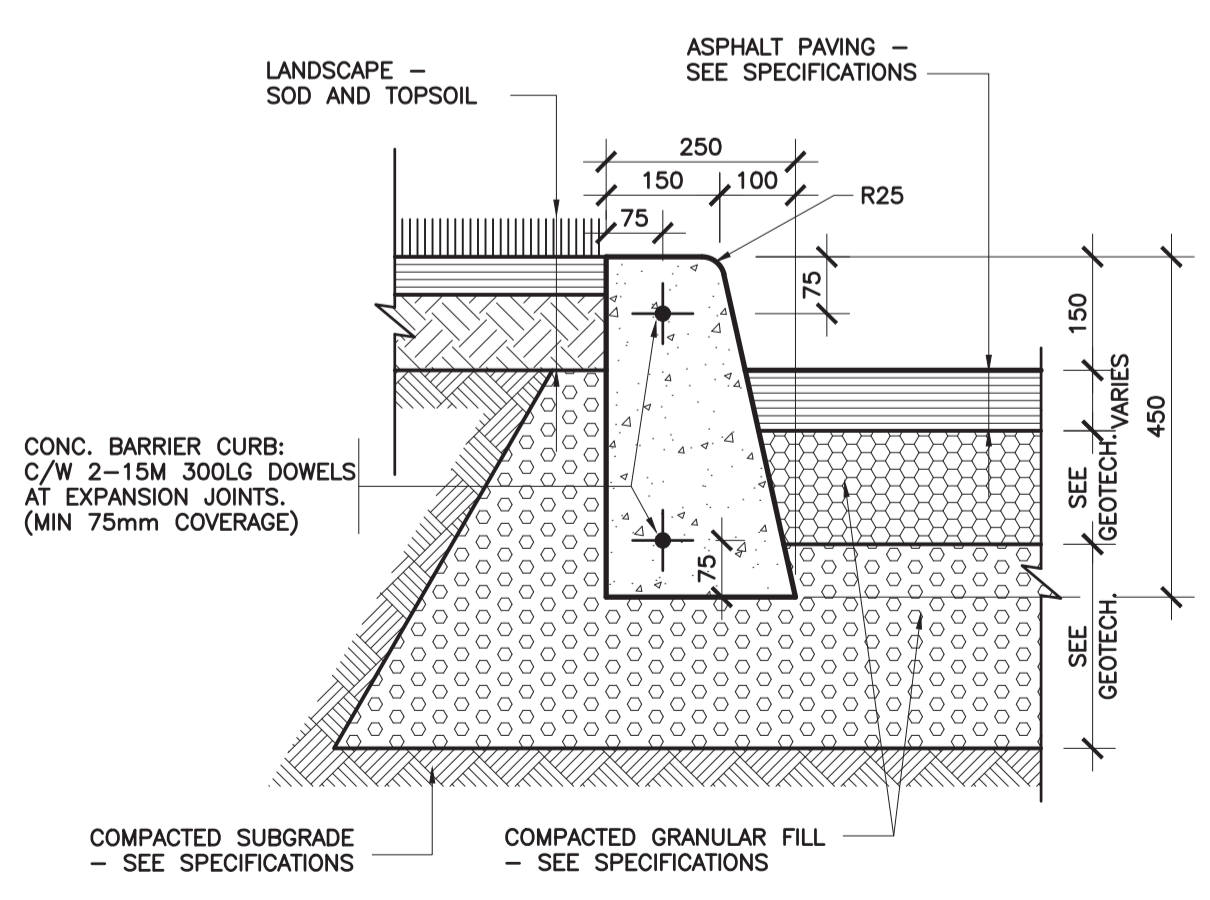
6
A002SP
SECTION DETAIL
BOLLARD DETAIL
1:20



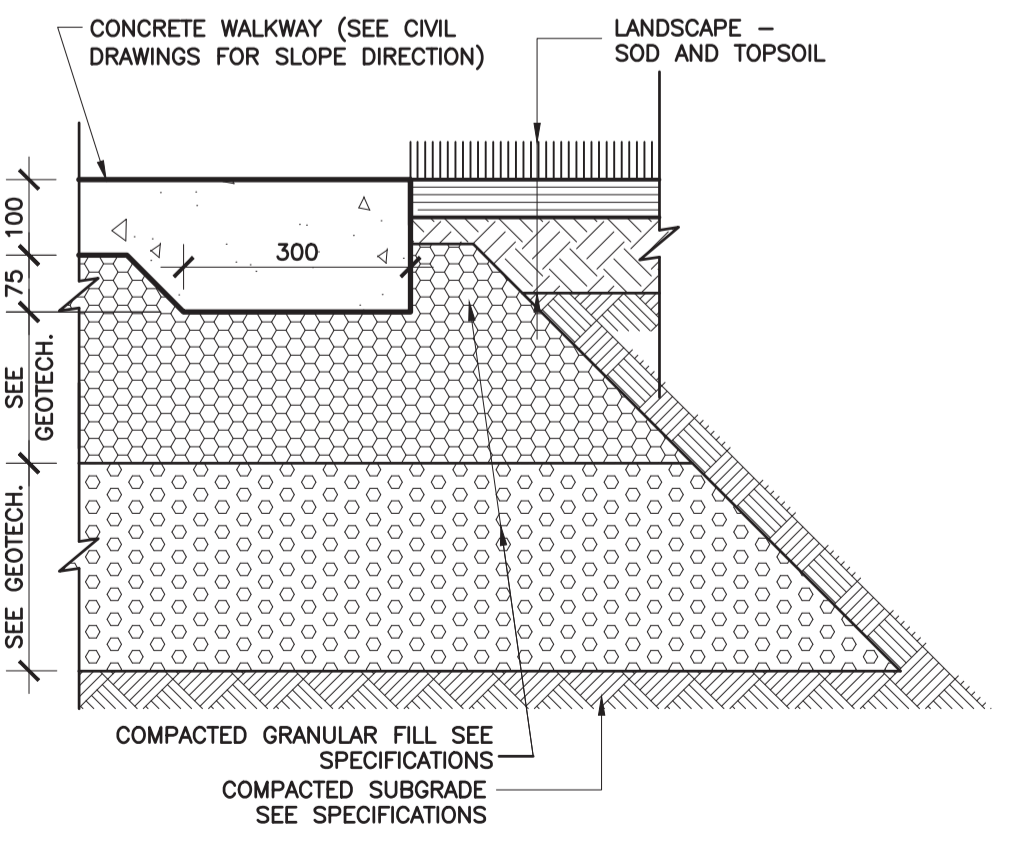
7
A002SP
SECTION DETAIL
ASPHALT SIDEWALK @ DC
1:10



8
A002SP
SECTION DETAIL
ASPHALT PAVING @ GRASS
1:10



9
A002SP
SECTION DETAIL
CONCRETE CURB @ GRASS
1:10



10
A002SP
SECTION DETAIL
CONCRETE WALK @ GRASS
1:10

EDWARD J. CUHACI & ASSOCIATES ARCHITECTS Inc.
171 Slater St, Suite 100, Ottawa, Ontario, K1P 5H7
Fax: (613) 236-1944 Telephone: (613) 236-7135 E-mail: info@cuhaci.com

PROJECT TITLE/TITRE DU PROJET
ÉCOLE ÉLÉMENTAIRE PUBLIQUE ORLÉANS SUD
675 MONARDIA WAY
OTTAWA, ONTARIO

CONSEIL DES ÉCOLES PUBLIQUES DE L'EST DE L'ONTARIO
2445 BOUL. ST-LAURENT, OTTAWA, ON

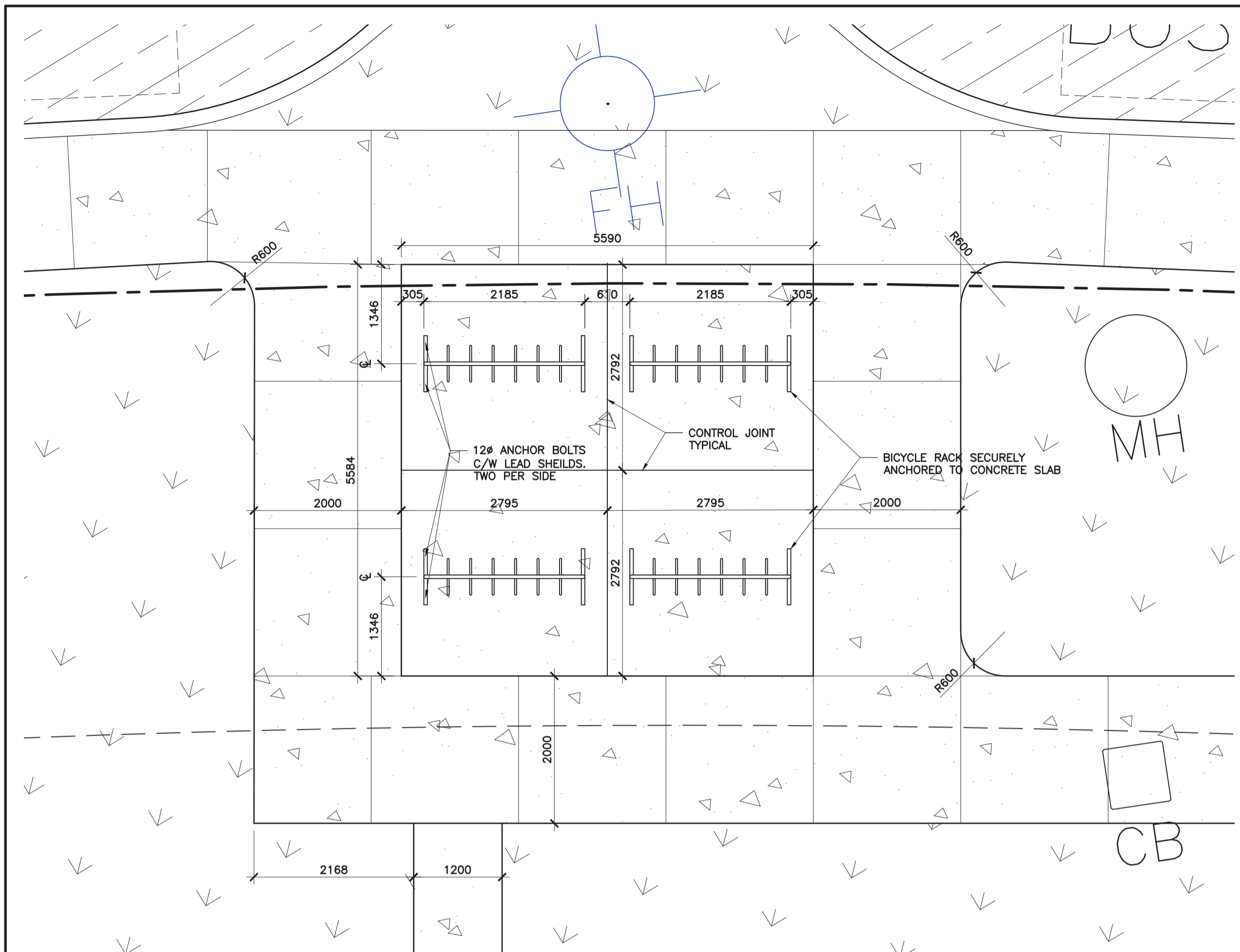
DRAWING TITLE/TITRE DU DESSIN
SITE DETAILS

SCALE ÉCHELLE	AS SHOWN	PROJ. No 2316	ISSUE No 5	REV. No 2
DRAWN BY DESSINE PAR	DS	DRAWING/DESSIN		
CHECKED BY VÉRIFIÉ PAR	XF	A002SP		
DATE	JUNE 2023	ACAD FILE/FICHIER: 2316-A002SP.DWG		

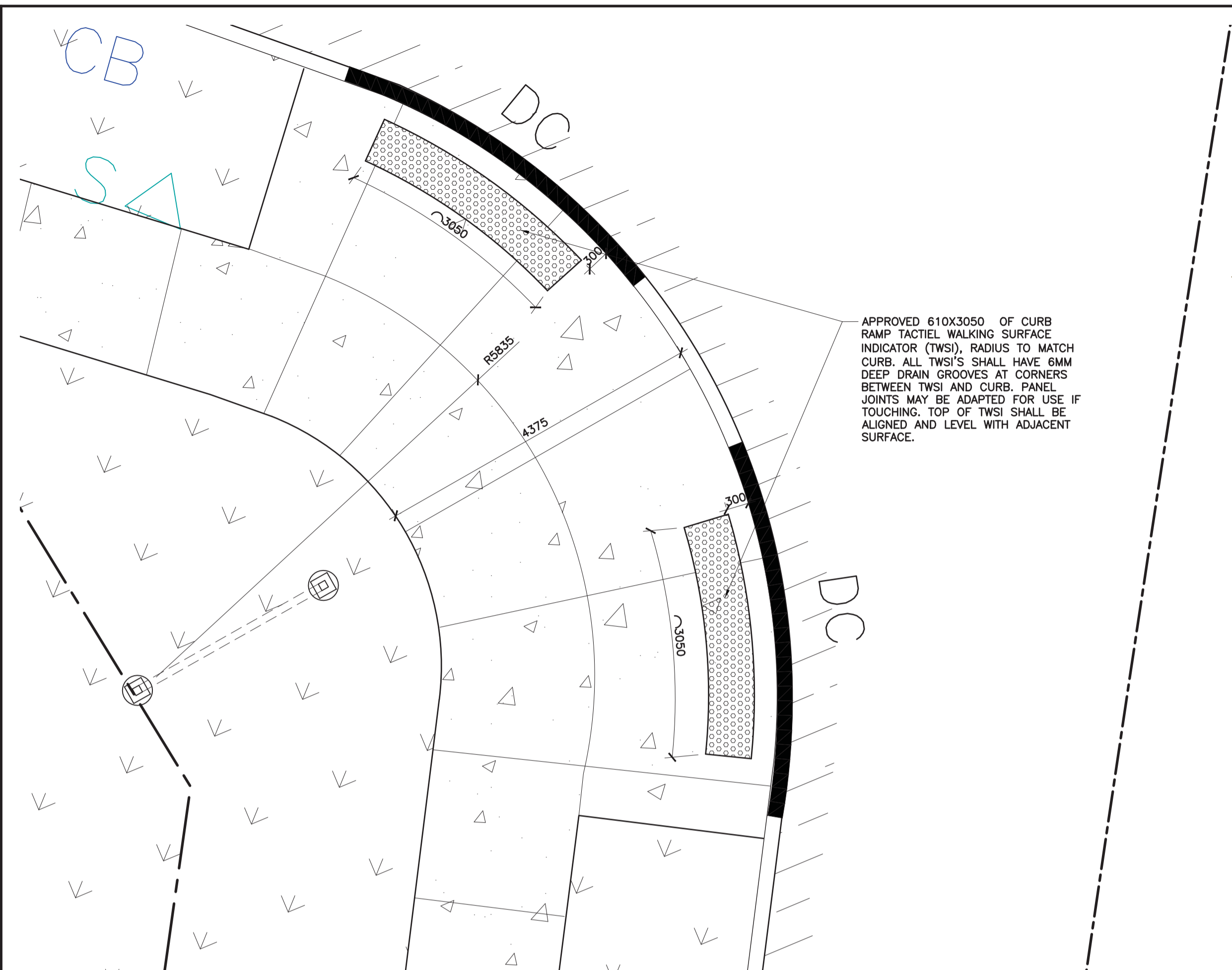
Plot Date: 17/01/2024 Plot Time: 11:54:37 AM Plot By: ASHLEY GERON Plot Stamp For Use Only: C:\Users\ashgeron\OneDrive\Documents\2316-A002SP.dwg

D07-12-23-0102

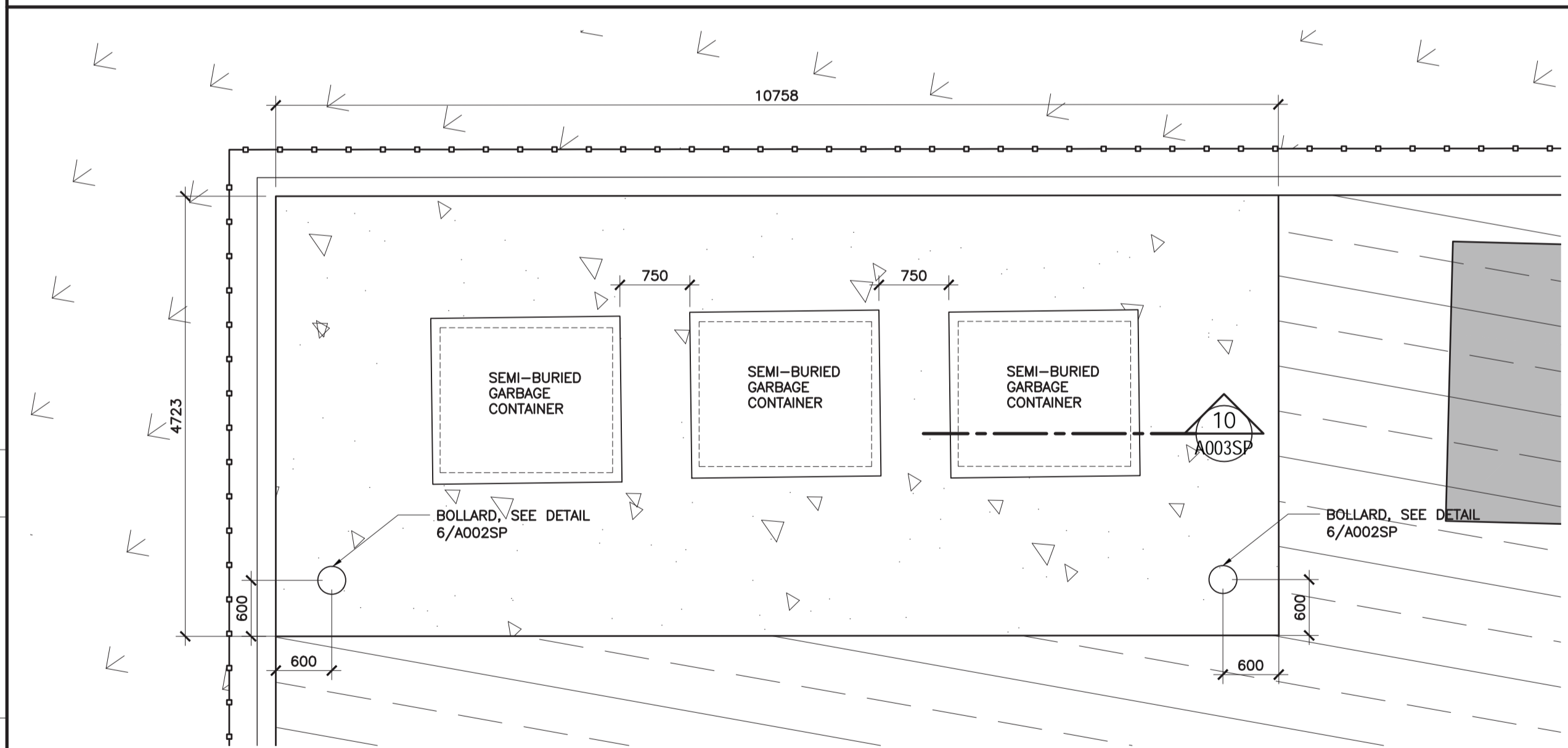
#####



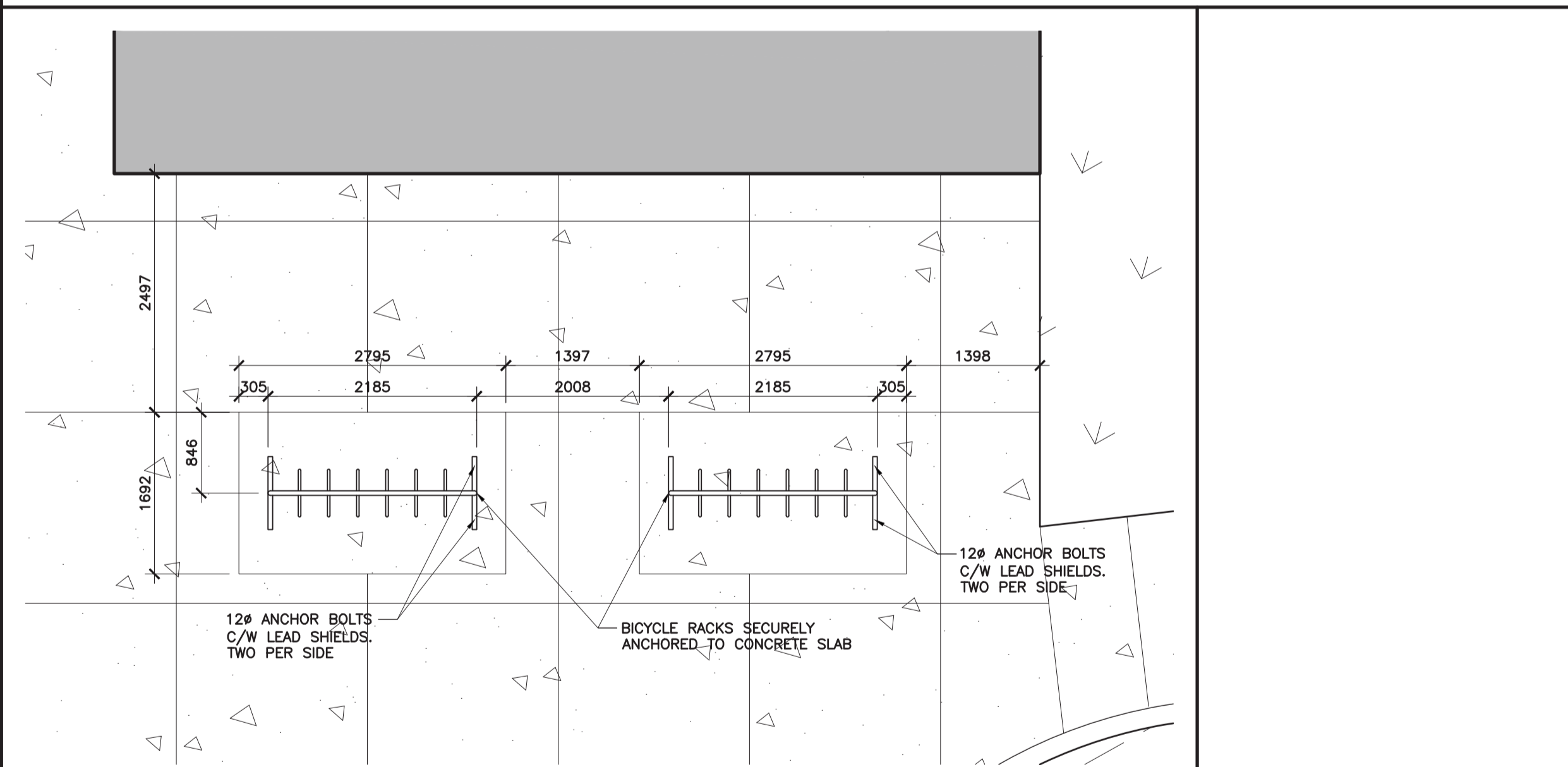
1 BICYCLE RACKS @ NORTH ENTRANCE
A004SP 1:50



2 TACTILE WALKING SURFACE INDICATOR @ CORNER
A004SP 1:50



3 GARBAGE AREA
A004SP 1:50



4 BICYCLE RACKS @ SOUTH ENTRANCE
A004SP 1:50

2	0	2024/01/17	ISSUED FOR SITE PLAN CONTROL
1	0	2023/11/24	ISSUED FOR PHASE 3 SITE PLAN PRECONSULTATION

LES IDÉES, CONCEPTS, DISPOSITIONS ET PLANS MONTRÉS OU REPRÉSENTÉS PAR CE DESSIN APPARTIENNENT À EDWARD J. CUHACI AND ASSOCIATES ARCHITECTS INC. ET ONT ÉTÉ CRÉÉS, ET DÉVELOPPÉS POUR ÊTRE UTILISÉS DANS LE CADRE DU PRÉSENT PROJET. ILS NE DOIVENT PAS ÊTRE UTILISÉS À D'AUTRES FINS NI COMMUNIQUÉS À QUI QUE CE SOIT SANS LA PERMISSION ÉCRITE DE EDWARD J. CUHACI AND ASSOCIATES ARCHITECTS INC.

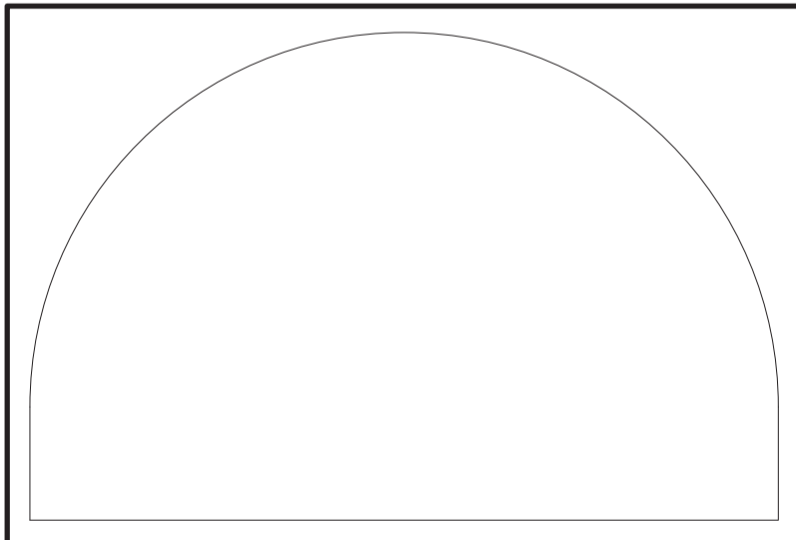
L'ARCHITECTE DÉCLINE TOUTE RESPONSABILITÉ DÉCOULANT DE PROBLÈMES FAISANT SUITE AU NON RESPECT DES PLANS ET DEVIS OU DE L'INTENTION DU CONCEPT QU'ILS TRANSMETTENT, OU DE TOUTS PROBLÈMES POUVANT RÉSULTER DU DÉFAUT DE TIERS D'OBTENIR OU DE SUIVRE LES INSTRUCTIONS DE L'ARCHITECTE RELATIVEMENT AUX ERREURS, OMISSIONS, INCOHÉRENCES, AMBIGUITÉS OU CONTRADICTIONS ALLEGUÉS.

L'ENTREPRENEUR DOIT VÉRIFIER TOUTES LES DIMENSIONS SUR PLACE ET INFORMER L'ARCHITECTE DE TOUT ÉCART AVANT LE DÉBUT DES TRAVAUX. NE PAS MESURER LES DESSINS À L'ÉCHELLE.

ALL IDEAS, DESIGNS, ARRANGEMENTS, AND PLANS INDICATED OR REPRESENTED BY THIS DRAWING ARE OWNED BY AND THE PROPERTY OF EDWARD J. CUHACI AND ASSOCIATES INC. AND WERE CREATED, EVOLVED, AND DEVELOPED FOR USE ON AND IN CONNECTION WITH THE SPECIFIED PROJECT. NONE OF THE IDEAS, DESIGNS, ARRANGEMENTS OR PLANS SHALL BE USED BY OR DISCLOSED TO ANY PERSON, FIRM, OR CORPORATION FOR ANY PURPOSE WHATSOEVER WITHOUT THE WRITTEN PERMISSION OF EDWARD J. CUHACI AND ASSOCIATES INC.

THE ARCHITECT WAIVES ANY AND ALL RESPONSIBILITY AND LIABILITY FOR PROBLEMS WHICH ARISE FROM FAILURE TO FOLLOW THESE PLANS, SPECIFICATIONS, AND THE DESIGN INTENT THEY CONVEY, OR FOR PROBLEMS WHICH ARISE FROM OTHERS' FAILURE TO OBTAIN AND/OR FOLLOW THE ARCHITECT'S GUIDANCE WITH RESPECT TO ANY ERRORS, OMISSIONS, INCONSISTENCIES, AMBIGUITIES OR CONFLICTS WHICH ARE ALLEGED.

CONTRACTOR TO VERIFY ALL DIMENSIONS AND NOTIFY THE ARCHITECT OF ANY DISCREPANCIES BEFORE WORK COMMENCES. DO NOT SCALE DRAWINGS



EDWARD J. CUHACI & ASSOCIATES ARCHITECTS Inc.
171 Slater St, Suite 100, Ottawa, Ontario, K1P 5H7
Fax: (613) 236-1944 Telephone: (613) 236-7135 E-mail: info@cuhaci.com

PROJECT TITLE/TITRE DU PROJET
ÉCOLE ÉLÉMENTAIRE PUBLIQUE ORLÉANS SUD
675 MONARDIA WAY
OTTAWA, ONTARIO

CONSEIL DES ÉCOLES PUBLIQUES DE L'EST DE L'ONTARIO
2445 BOUL. ST-LAURENT, OTTAWA, ON

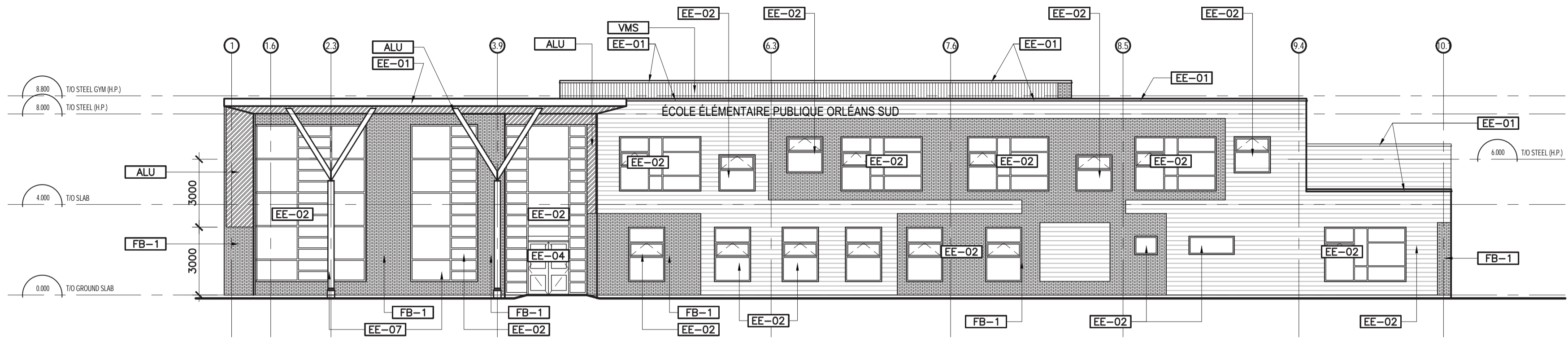
DRAWING TITLE/TITRE DU DESSIN
SITE DETAILS

SCALE ECHELLE	AS SHOWN	PROJ. No 2316	ISSUE No 2	REV. No 0
DRAWN BY DESSINE PAR	DS	DRAWING/DESSIN		
CHECKED BY VÉRIFIÉ PAR	XF	A004SP		
DATE	JUNE 2023	ACAD FILE/FICHER: 2316-A004SP.DWG		

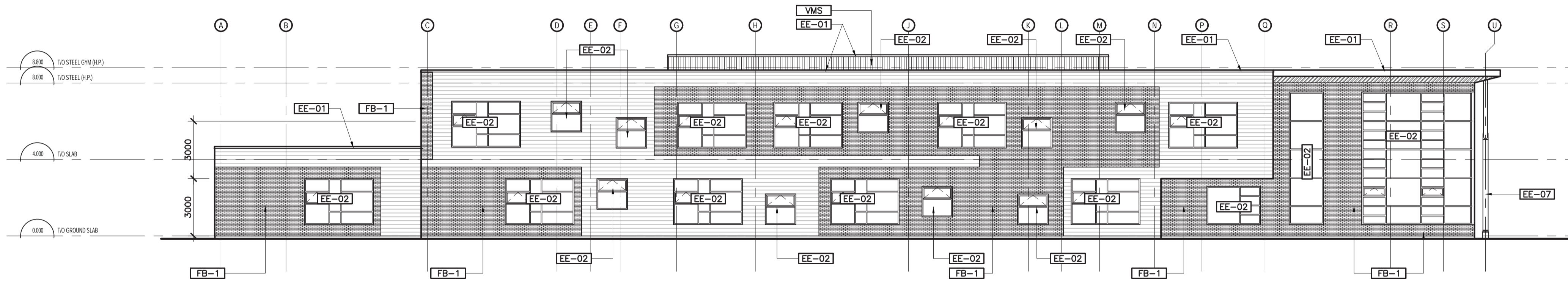
Plot Date: 17/01/2024 Plot Time: 11:55:55 AM Plot By: ANJELI GIBSON Plot Stamp For Use Only: Penline: A00400 PDF (GENERAL) DOCUMENT/DOCUMENTS

D07-12-23-0102

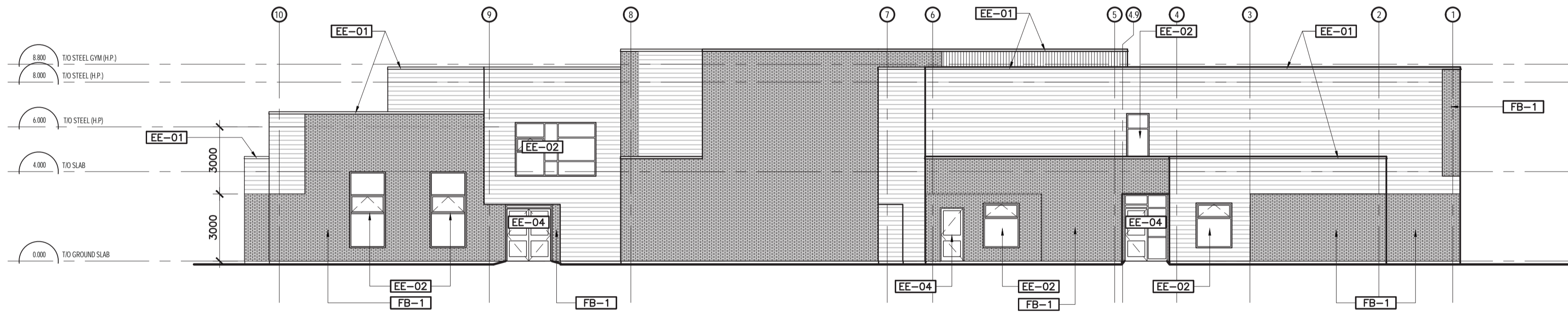
#####



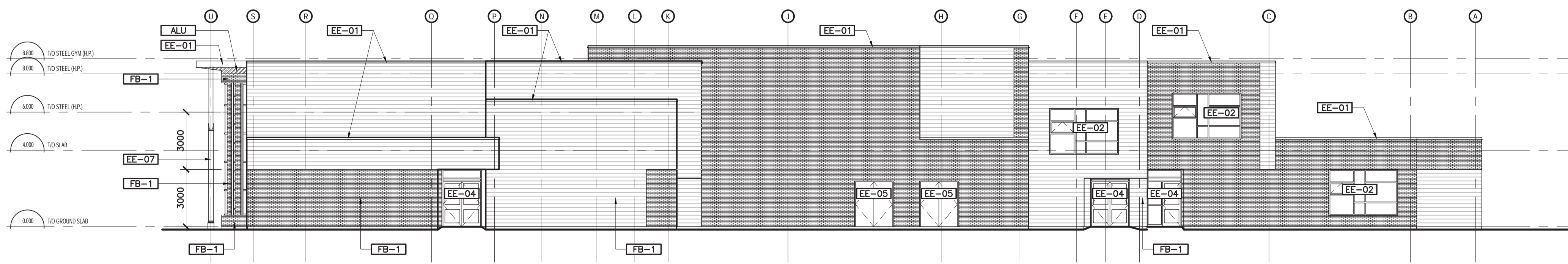
1 NORTH ELEVATION
A200SP 1:150



2 EAST ELEVATION
A200SP 1:150



3 SOUTH ELEVATION
A200SP 1:150



4 WEST ELEVATION
A200SP 1:150

ELEVATION LEGEND

- VISION INSULATED GLASS UNITS IN ALUMINUM CURTAIN WALL
- BRICK VENEER
- SMU BLOCK VENEER, REFER TO SPECIFICATIONS
- VERTICAL METAL SIDING
- ALUCABOND ALUMINUM PANELS, REFER TO SPECIFICATIONS
- FB-1 BRICK VENEER TYPE 1
- SMU-1 SPECIAL MASONRY UNIT
- ALU-1 ALUCABOND PANELS
- VMS VERTICAL METAL SIDING

DRAWING NOTES

- EE-01 PRE-FINISHED METAL CAP FLASHING
- EE-02 CURTAIN WALL WINDOW
- EE-03 ALUMINUM WINDOW SILL
- EE-04 ALUMINUM DOOR
- EE-05 HOLLOW METAL DOOR
- EE-06 ROOF OVERFLOW SCUPPER
- EE-07 STRUCTURAL COLUMN



ISSUE NO.	REV. NO.	DATE	ISSUE
3	1	2024/01/17	ISSUED FOR SITE PLAN CONTROL
2	0	2023/09/28	ISSUED FOR BUILDING PERMIT
1	0	2023/07/19	ISSUED FOR SITE PLAN CONTROL

LES IDÉES, CONCEPTS, DISPOSITIONS ET PLANS MONTRÉS OU REPRÉSENTÉS PAR CE DESSIN APPARTIENNENT À EDWARD J. CUHACI AND ASSOCIATES ARCHITECTS INC. ET ONT ÉTÉ CRÉÉS, ET DÉVELOPPÉS POUR ÊTRE UTILISÉS DANS LE CADRE DU PRÉSENT PROJET. ILS NE DOIVENT PAS ÊTRE UTILISÉS À D'AUTRES FINS NI COMMUNIQUÉS À QUI QUE CE SOIT SANS LA PERMISSION ÉCRITE DE EDWARD J. CUHACI AND ASSOCIATES ARCHITECTS INC.

L'ARCHITECTE DÉCLINE TOUTE RESPONSABILITÉ DÉCOULANT DE PROBLÈMES FAISANT SUITE AU NON RESPECT DES PLANS ET DEVIS OU DE L'INTENTION DU CONCEPT QU'ILS TRANSMETTENT, OU DE TOUTS PROBLÈMES POUVANT RÉSULTER DU DÉFAUT DE TIERS D'OBTENIR OU DE SUIVRE LES INSTRUCTIONS DE L'ARCHITECTE RELATIVEMENT AUX ERREURS, OMISSIONS, INCOHÉRENCES, AMBIGUITÉS OU CONTRADICTIONS ALLÉGUÉS.

L'ENTREPRENEUR DOIT VÉRIFIER TOUTES LES DIMENSIONS SUR PLACE ET INFORMER L'ARCHITECTE DE TOUT ÉCART AVANT LE DÉBUT DES TRAVAUX. NE PAS MESURER LES DESSINS À L'ÉCHELLE.

ALL IDEAS, DESIGNS, ARRANGEMENTS, AND PLANS INDICATED OR REPRESENTED BY THIS DRAWING ARE OWNED BY AND THE PROPERTY OF EDWARD J. CUHACI AND ASSOCIATES INC. AND WERE CREATED, EVOLVED, AND DEVELOPED FOR USE ON AND IN CONNECTION WITH THE SPECIFIED PROJECT. NONE OF THE IDEAS, DESIGNS, ARRANGEMENTS OR PLANS SHALL BE USED BY OR DISCLOSED TO ANY PERSON, FIRM, OR CORPORATION FOR ANY PURPOSE WHATSOEVER WITHOUT THE WRITTEN PERMISSION OF EDWARD J. CUHACI AND ASSOCIATES INC.

THE ARCHITECT WAIVES ANY AND ALL RESPONSIBILITY AND LIABILITY FOR PROBLEMS WHICH ARISE FROM FAILURE TO FOLLOW THESE PLANS, SPECIFICATIONS, AND THE DESIGN INTENT THEY CONVEY, OR FOR PROBLEMS WHICH ARISE FROM OTHERS' FAILURE TO OBTAIN AND/OR FOLLOW THE ARCHITECT'S GUIDANCE WITH RESPECT TO ANY ERRORS, OMISSIONS, INCONSISTENCIES, AMBIGUITIES OR CONFLICTS WHICH ARE ALLEGED.

CONTRACTOR TO VERIFY ALL DIMENSIONS AND NOTIFY THE ARCHITECT OF ANY DISCREPANCIES BEFORE WORK COMMENCES. DO NOT SCALE DRAWINGS



EDWARD J. CUHACI & ASSOCIATES ARCHITECTS Inc.
171 Slater St., Suite 100, Ottawa, Ontario, K1P 5H7
Fax: (613) 236-1944 Telephone: (613) 236-7135 E-mail: info@cuhaci.com

PROJECT TITLE/TITRE DU PROJET
ÉCOLE ÉLÉMENTAIRE PUBLIQUE ORLÉANS SUD
675 MONARDIA WAY
OTTAWA, ONTARIO

CONSEIL DES ÉCOLES PUBLIQUES DE L'EST DE L'ONTARIO
2445 BOUL. ST-LAURENT, OTTAWA, ON

DRAWING TITLE/TITRE DU DESSIN
ELEVATIONS

SCALE	PROJ. No	ISSUE No	REV. No
ECHELLE AS SHOWN	2316	3	1
DRAWN BY / DESSINÉ PAR DS	DRAWING/DESSIN		
CHECKED BY / VÉRIFIÉ PAR XF	A200SP		
DATE	JUNE 2023	ACAD FILE/FICHER: 2316-A200SP.DWG	

Plot Date: 17/01/2024 Plot Time: 11:50:58 AM Plot By: ASHLEY GERON Plot Status: FOR E&P USE ONLY

D07-12-23-0102

#####