



TREES TO REMAIN				
NO.	SPECIES	DBH (CM)	HEALTH	COMMENTS
18	Trembling Aspen/ <i>Populus tremuloides</i>	35	Good	Adjacent Property
40	Manitoba Maple / <i>Acer negundo</i>	52	Fair	Adjacent Property. Identified as #1 in dendron report
41	Manitoba Maple / <i>Acer negundo</i>	20	Poor	Adjacent Property
42	Red Maple / <i>Acer rubrum</i>	20	Good	Adjacent Property
43	Apple / <i>Malus sp.</i>	20, 22, 18	Poor	Adjacent Property
44	Manitoba Maple / <i>Acer negundo</i>	33	Fair	Adjacent Property
45	European Buckthorn / <i>Rhamnus cathartica</i>	10-15	Fair	Adjacent Property, Hedge
46	Red Maple / <i>Acer rubrum</i>	16	Fair	Adjacent Property
49	Norway Maple/ <i>Acer platanoides</i>	30	Poor	Adjacent Property
50	Norway Maple/ <i>Acer platanoides</i>	30	Fair	Adjacent Property
51	Austrian Pine / <i>Pinus nigra</i>	20-28	Good	Adjacent Property, 4 Stems
52	Norway Maple/ <i>Acer platanoides</i>	40	Good	Adjacent Property



KEY MAP, NTS

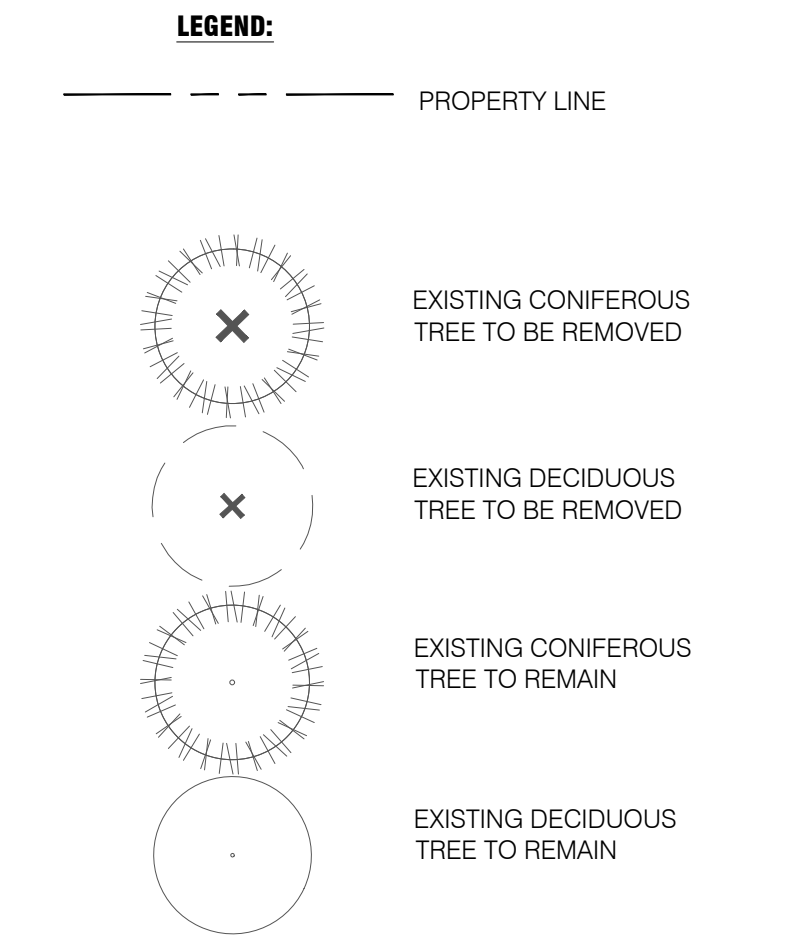
LTP-1 GENERAL NOTES

- All general site information and conditions compiled from architect's and engineer's plans and surveys.
- Do not scale this drawing.
- Report any discrepancies prior to commencing work. No responsibility is born by the Landscape Architect for unknown subsurface conditions.
- Reinstate all areas and items damaged as a result of construction activities to the satisfaction of the Landscape Architect.
- Drawing may not be used for construction until signed by Landscape Architect as issued for construction.
- The accuracy of the position of utilities is not guaranteed.
- Individual utility co. must be contacted for confirmation of utility existence and location prior to digging.
- This drawing is an instrument of service and requires the permission of the Landscape Architect for use. Copyright is reserved by the Landscape Architect, David M. Lashley.

8	2023-05-06	ISSUED FOR SPA
7	2023-11-15	ISSUED FOR SPA
6	2023-06-14	ISSUED FOR SPA
5	2023-05-23	ISSUED FOR SPA
4	2022-12-21	ISSUED FOR SPA
3	2022-04-12	COORDINATION
2	2022-03-18	REVISED FOR SPA
1	2021-10-15	ISSUED FOR REVIEW

TREES ON CITY PROPERTY TO BE REMOVED				
NO.	SPECIES	DBH (CM)	HEALTH	COMMENTS
1	Basswood/ <i>Tilia americana</i>	46	Good	
2	Apple sp. / <i>Malus sp.</i>	33	Poor	Poor pruning / dieback
3	Apple sp. / <i>Malus sp.</i>	22	Poor	Poor pruning / dieback
4	Apple sp. / <i>Malus sp.</i>	14 / 15	Poor	Poor pruning / dieback
47	Eastern White Cedar / <i>Thuja occidentalis</i>	8-14	Poor-Fair	Hedge

1 PRE-DEVELOPMENT PLAN

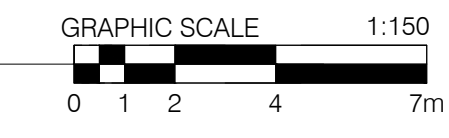


TREES ON PRIVATE PROPERTY TO BE REMOVED				
NO.	SPECIES	DBH (CM)	HEALTH	COMMENTS
5	Eastern White Cedar / <i>Thuja occidentalis</i>	19	Good	
6	Eastern White Cedar / <i>Thuja occidentalis</i>	20	Good	
7	Eastern White Cedar / <i>Thuja occidentalis</i>	8-14	Fair	Hedge
8	Silver Maple / <i>Acer saccharinum</i>	15, 15, 20, 26, 32	Fair	5 stems joined at 1.3m
9	Silver Maple / <i>Acer saccharinum</i>	10, 13, 13, 15	Fair	4 stems joined at base
10	Eastern Cottonwood / <i>Populus deltoides</i>	43, 45	Good	2 stems joined at 1.0m
11	Eastern White Cedar / <i>Thuja occidentalis</i>	35	Good	
12	Eastern Cottonwood / <i>Populus deltoides</i>	64	Good	

13	Eastern Cottonwood / <i>Populus deltoides</i>	53	Good	
14	Eastern Cottonwood / <i>Populus deltoides</i>	50	Good	
15	Crack Willow / <i>Salix fragilis</i>	23	Good	
16	Eastern Cottonwood / <i>Populus deltoides</i>	55	Good	
17	Eastern White Cedar / <i>Thuja occidentalis</i>	10-18	Fair-Good	Hedge
18	Trembling Aspen/ <i>Populus tremuloides</i>	33	Good	
19	Trembling Aspen/ <i>Populus tremuloides</i>	35	Good	
20	Trembling Aspen/ <i>Populus tremuloides</i>	44	Good	2 Stems joined at base
21	Trembling Aspen/ <i>Populus tremuloides</i>	35	Good	
22	Colorado Blue Spruce/ <i>Picea pungens</i>	17	Good	

23	Silver Maple / <i>Acer saccharinum</i>	37, 28	Fair-Good	Adjacent Property (per Dendron Report)
24	Trembling Aspen / <i>Populus tremuloides</i>	28	Good	
25	Colorado Blue Spruce/ <i>Picea pungens</i>	18	Good	
26	Trembling Aspen / <i>Populus tremuloides</i>	36	Good	
27	Colorado Blue Spruce/ <i>Picea pungens</i>	19	Good	
28	Red Maple / <i>Acer rubrum</i>	31	Fair	Adjacent Property (per Dendron Report)
29	Trembling Aspen / <i>Populus tremuloides</i>	17	Good	
30	Colorado Blue Spruce/ <i>Picea pungens</i>	22	Good	
31	Colorado Blue Spruce/ <i>Picea pungens</i>	32	Good	
32	Colorado Blue Spruce/ <i>Picea pungens</i>	18	Good	
33	Red Maple / <i>Acer rubrum</i>	46	Good	Adjacent Property (per Dendron Report)
34	Colorado Blue Spruce/ <i>Picea pungens</i>	22	Good	
35	Colorado Blue Spruce/ <i>Picea pungens</i>	28	Good	

36	Colorado Blue Spruce/ <i>Picea pungens</i>	25	Good	
37	Red Maple / <i>Acer rubrum</i>	55-55	Good	Adjacent Property
38	Red Maple / <i>Acer rubrum</i>	40	Good	Adjacent Property (per Dendron Report)
39	Manitoba Maple / <i>Acer negundo</i>	39	Poor	Last of 3 stems, heavy lean
48	Eastern White Cedar / <i>Thuja occidentalis</i>	15-30	Fair-Good	38 Stem



CONSULTANT:

LASHLEY + ASSOCIATES
LANDSCAPE ARCHITECTURE AND SITE ENGINEERING

202-550 CLARISTONE AVENUE
OTTAWA, ON K1T 5E6
T 613 233 8579
F 613 233 1801
W lashley.ca
E info@lashley.ca

PROJECT:

98 + 100 BEARBROOK LANDRIC HOMES
98 + 100 BEARBROOK ROAD
OTTAWA, ON, K1B 3B9

DRAWING TITLE:

PRE-DEVELOPMENT VEGETATION

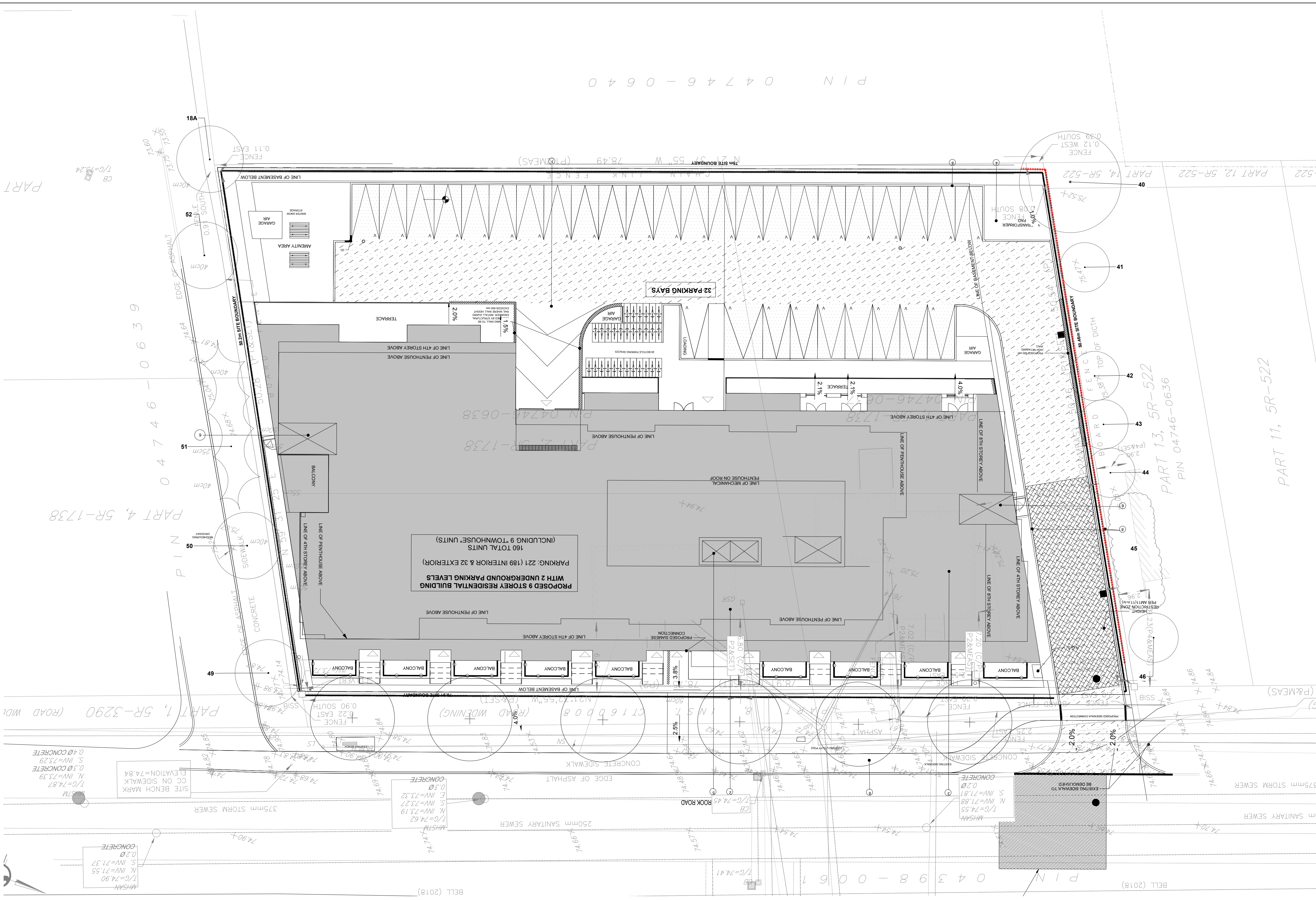
DATE: 2021-07-26 **DRAWING NO.:**

SCALE: AS SHOWN

DRAWN BY: SG-RP **L-TP1**

LA PROJECT NO. 21813-1

D07-12-23-0137



TREES TO REMAIN				
NO.	SPECIES	DBH (CM)	HEALTH	COMMENTS
18 A	Trembling Aspen / <i>Populus tremuloides</i>	35	Good	Adjacent Property
40	Manitoba Maple / <i>Acer negundo</i>	52	Fair	Adjacent Property, Identified as #1 in Dendron Report
41	Manitoba Maple / <i>Acer negundo</i>	20	Poor	Adjacent Property
42	Red Maple / <i>Acer rubrum</i>	20	Good	Adjacent Property
43	Apple / <i>Malus sp.</i>	20, 22, 18	Poor	Adjacent Property
44	Manitoba Maple / <i>Acer negundo</i>	33	Fair	Adjacent Property
45	European Buckthorn / <i>Rhamnus cathartica</i>	10-15	Fair	Adjacent Property, Hedge
46	Red Maple / <i>Acer rubrum</i>	16	Fair	Adjacent Property
49	Norway Maple / <i>Acer platanoides</i>	30	Poor	Adjacent Property
50	Norway Maple / <i>Acer platanoides</i>	30	Fair	Adjacent Property
51	Austrian Pine / <i>Pinus nigra</i>	20-28	Good	Adjacent Property, 4 Stems
52	Norway Maple / <i>Acer platanoides</i>	40	Good	Adjacent Property



KEY MAP, NTS

LTP-2 GENERAL NOTES

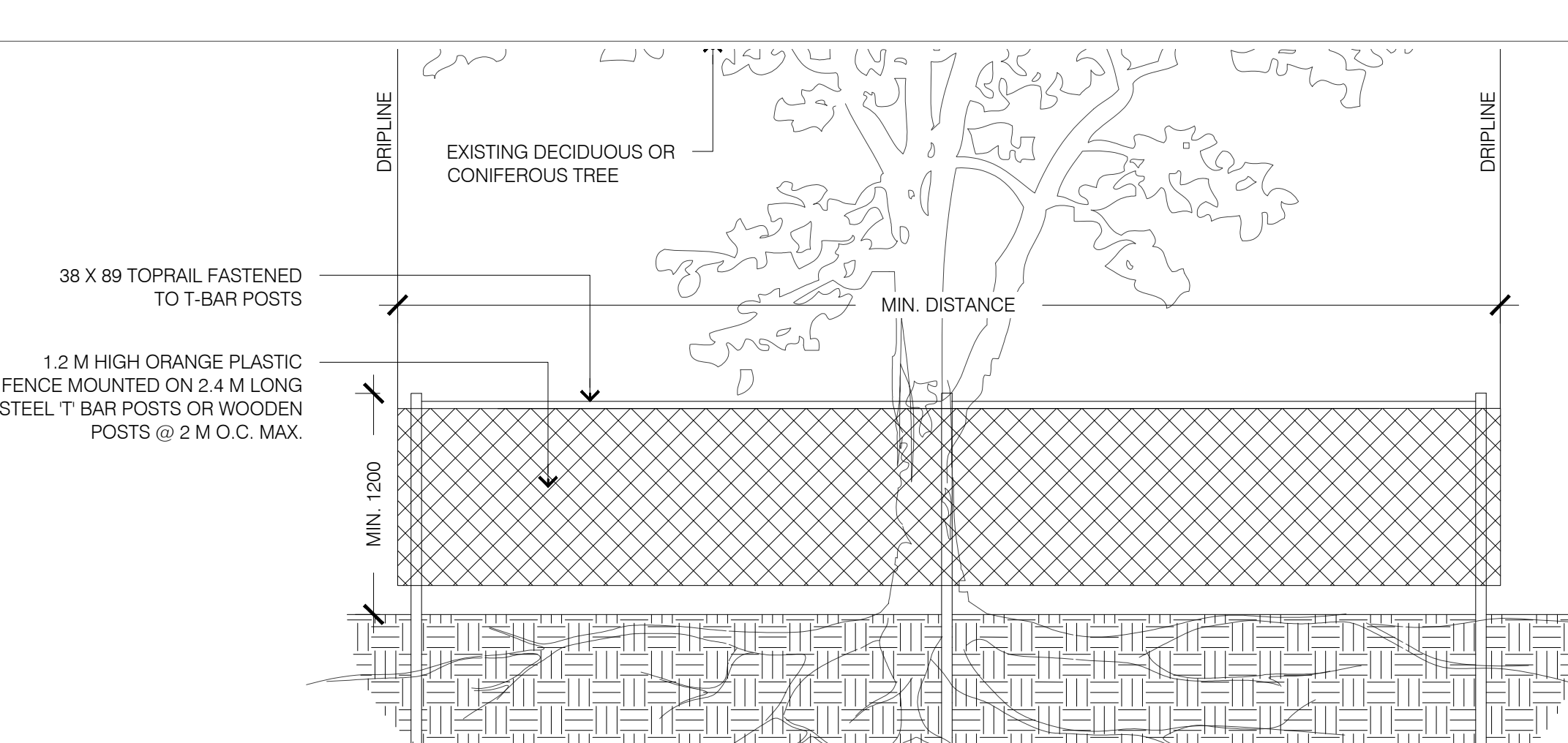
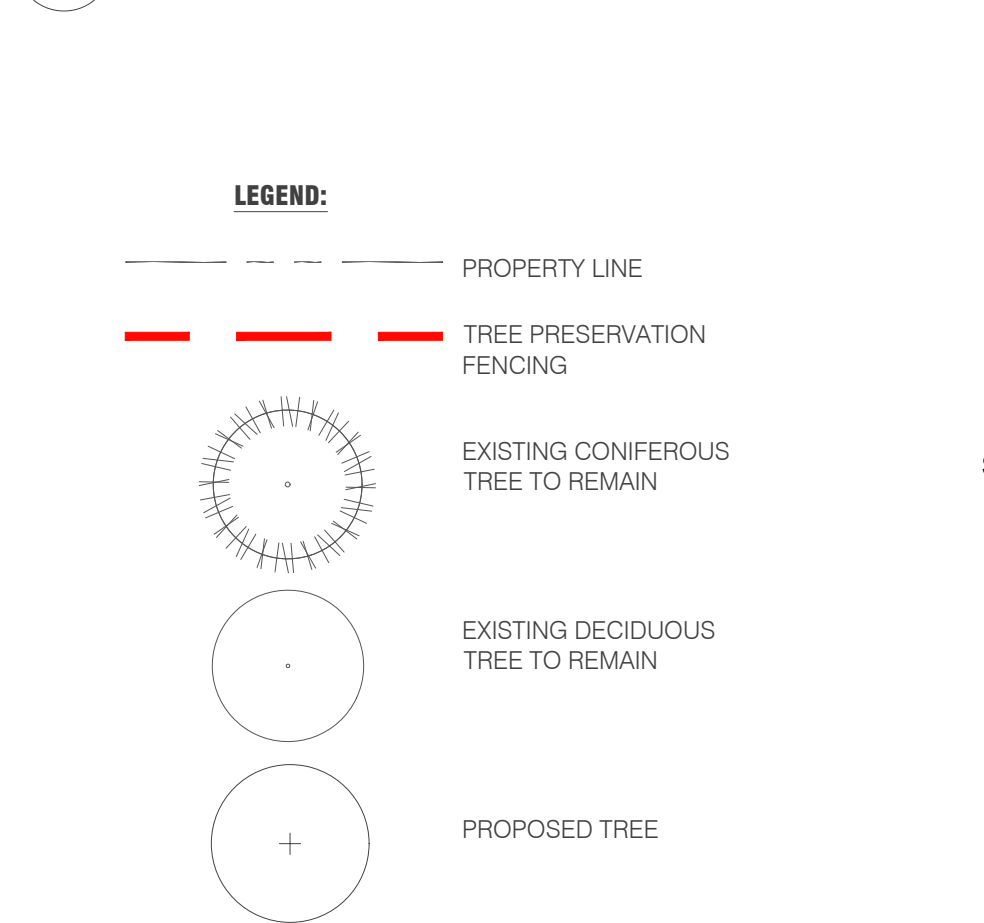
- All general site information and conditions compiled from architect's and engineer's plans and surveys.
- Do not scale this drawing.
- Report any discrepancies prior to commencing work. No responsibility is born by the Landscape Architect for unknown subsurface conditions.
- Reinstatement all areas and items damaged as a result of construction activities to the satisfaction of the Landscape Architect.
- Drawing may not be used for construction until signed by Landscape Architect as issued for construction.
- The accuracy of the position of utilities is not guaranteed.
- Individual utility co. must be contacted for confirmation of utility existence and location prior to digging.
- This drawing is an instrument of service and requires the permission of the Landscape Architect for use. Copyright is reserved by the Landscape Architect, David M. Lashley.

PROPOSED TREES ON SITE					
KEY	QTY	BOTANICAL NAME	COMMON NAME	SIZE	COMMENTS
DECIDUOUS TREES					
AR	2	<i>Acer rubrum autumn flame</i>	Freeman Maple	50mm CAL.	W.B.
CO	4	<i>Celtis occidentalis</i>	Hackberry	50mm	W.B.

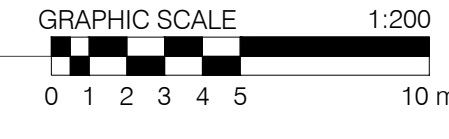
PROPOSED TREES ON ADJACENT PROPERTY PER AGREEMENT WITH OWNER					
KEY	QTY	BOTANICAL NAME	COMMON NAME	SIZE	COMMENTS
DECIDUOUS TREES					
AS	3	<i>Acer saccharum</i>	Sugar Maple	50mm CAL.	W.B.
AR	4	<i>Acer rubrum autumn flame</i>	Freeman Maple	50mm CAL.	W.B.
SR	3	<i>Syringa reticulata</i>	Japanese Tree Lilac	50mm CAL.	W.B.
TA	3	<i>Tilia americana</i>	Basswood	50mm CAL.	W.B.
GB	2	<i>Ginkgo biloba Autumn Gold</i>	Autumn Gold Maidenhair Tree	50mm CAL.	W.B.
UH	5	<i>Ulmus x 'Homestead'</i>	Homestead Elm	50mm	W.B.
CC	2	<i>Crataegus crus-galli</i>	Thornless Hawthorn	50mm	W.B.

SEE PLAN PROVIDED BY CECCO

1 POST-DEVELOPMENT VEGETATION



- THE FOLLOWING PROTECTION MEASURES MUST BE IMPLEMENTED FOR RETAINED TREES, BOTH WITHIN THE WORK AREA AND ON ADJACENT PARCELS.
- UNDER THE GUIDANCE OF AN ARBORIST, ERECT A MODULAR FENCE AT THE CRITICAL ROOT ZONE (CRZ) OF TREES WHERE THE CRZ IS ESTABLISHED AS BEING 10 CENTIMETERS FROM THE TRUNK FOR EVERY CENTIMETER OF TRUNK DIAMETER AT BREAST HEIGHT.
 - TREE PROTECTION SHALL BE ERECTED TO PROVIDE A CONTINUOUS BARRICADE BETWEEN DESIGNATED TREES AND THE WORK AREA PRIOR TO CONSTRUCTION.
 - TUNNEL OR BORE WHEN DIGGING WITHIN THE CRZ OF A TREE.
 - ENSURE ALL EQUIPMENT AND CONSTRUCTION RELATED MATERIAL ARE NOT PLACED OR TEMPORARILY STORED WITHIN THE CRZ.
 - ENSURE EXHAUST FUMES FROM ALL EQUIPMENT ARE NOT DIRECTED TOWARDS ANY TREE'S CANOPY.
 - FLOODING OR DEPOSITION OF SEDIMENT SHALL BE PREVENTED WHERE TREES ARE LOCATED.
 - ALL DISTURBED ROOT SYSTEMS SHALL BE EXPOSED AND BACKFILLED IN ONE CONTINUOUS OPERATION TO MINIMIZE DESICCATION.
 - EXPOSED ROOTS SHALL BE KEPT CONTINUOUSLY MOIST DURING EXCAVATION.
 - REMOVE BROKEN AND DAMAGED ROOTS WITH SHARP PRUNING SHEARS.
 - THE TREE PROTECTION MODULAR FENCE IS TEMPORARY, SHALL BE MAINTAINED AT ALL TIMES DURING CONSTRUCTION OPERATIONS, AND SHALL BE REMOVED UPON COMPLETION OF WORK WHEN AGREED TO BY THE CONTRACT ADMINISTRATOR AND LANDSCAPE ARCHITECT.



2 TREE PROTECTION FENCING

NO. DATE DESCRIPTION

7	2024-05-06	ISSUED FOR SPA
6	2023-11-15	ISSUED FOR SPA
5	2023-06-4	ISSUED FOR SPA
4	2023-05-23	ISSUED FOR SPA
3	2022-12-21	ISSUED FOR SPA
2	2022-03-18	REVISED FOR SPA
1	2021-10-15	ISSUED FOR REVIEW

SEAL: [Professional Seal of David M. Lashley, Registered Professional Landscape Architect, Ontario]

CONSULTANT: LASHLEY + ASSOCIATES
 555-555 CLARISTONE AVENUE
 OTTAWA, ON K1T 5E6
 T: 613 233 8579
 F: 613 233 1981
 W: LashleyA.com
 E: Mail@LashleyA.com

PROJECT: 98 + 100 BEARBROOK LANDRIC HOMES
 98 + 100 BEARBROOK ROAD
 OTTAWA, ON, K1B 3B9

DRAWING TITLE: POST-DEVELOPMENT VEGETATION

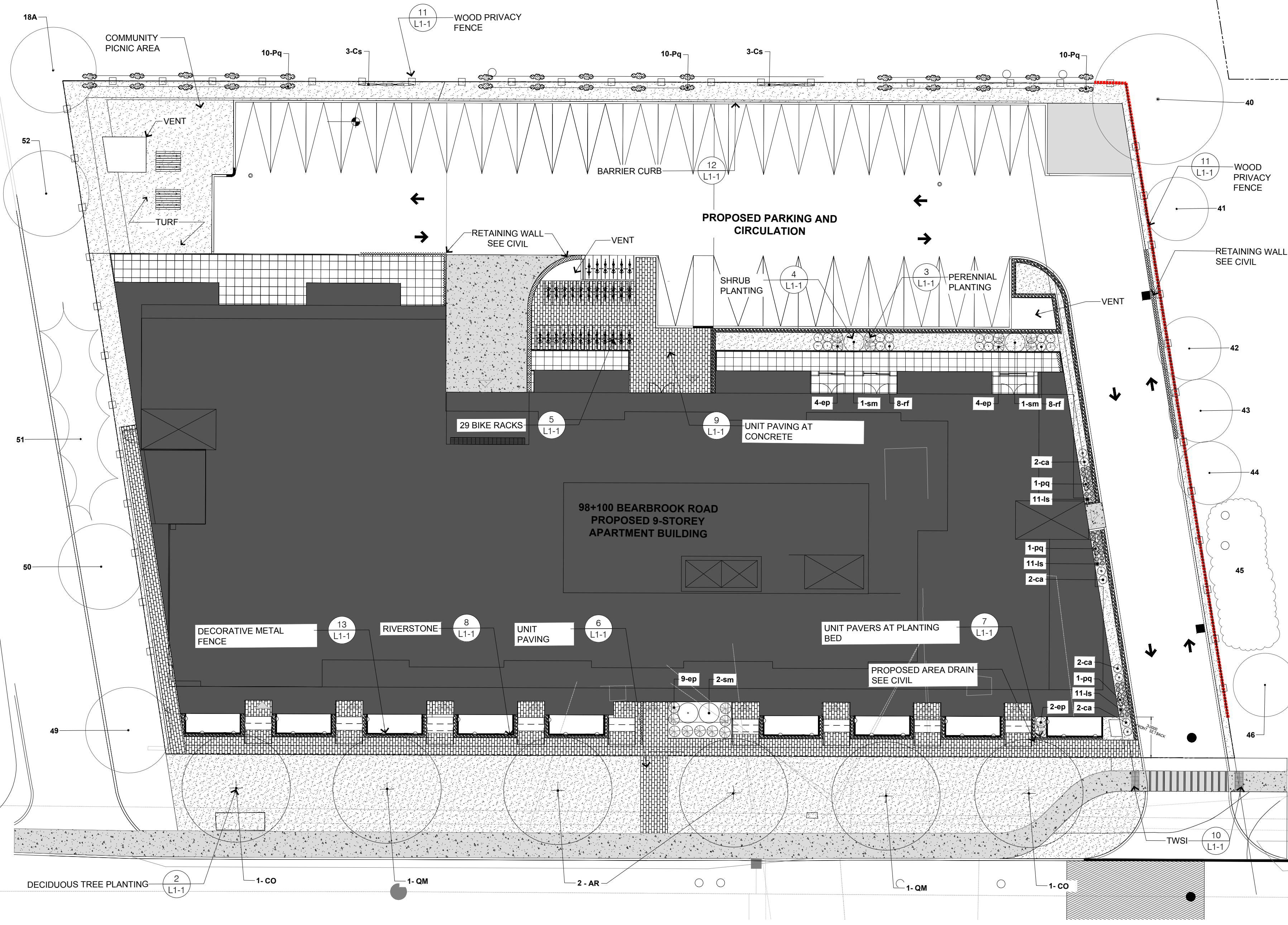
DATE: 2021-07-26 **DRAWING NO.:** L-TP2

SCALE: AS SHOWN

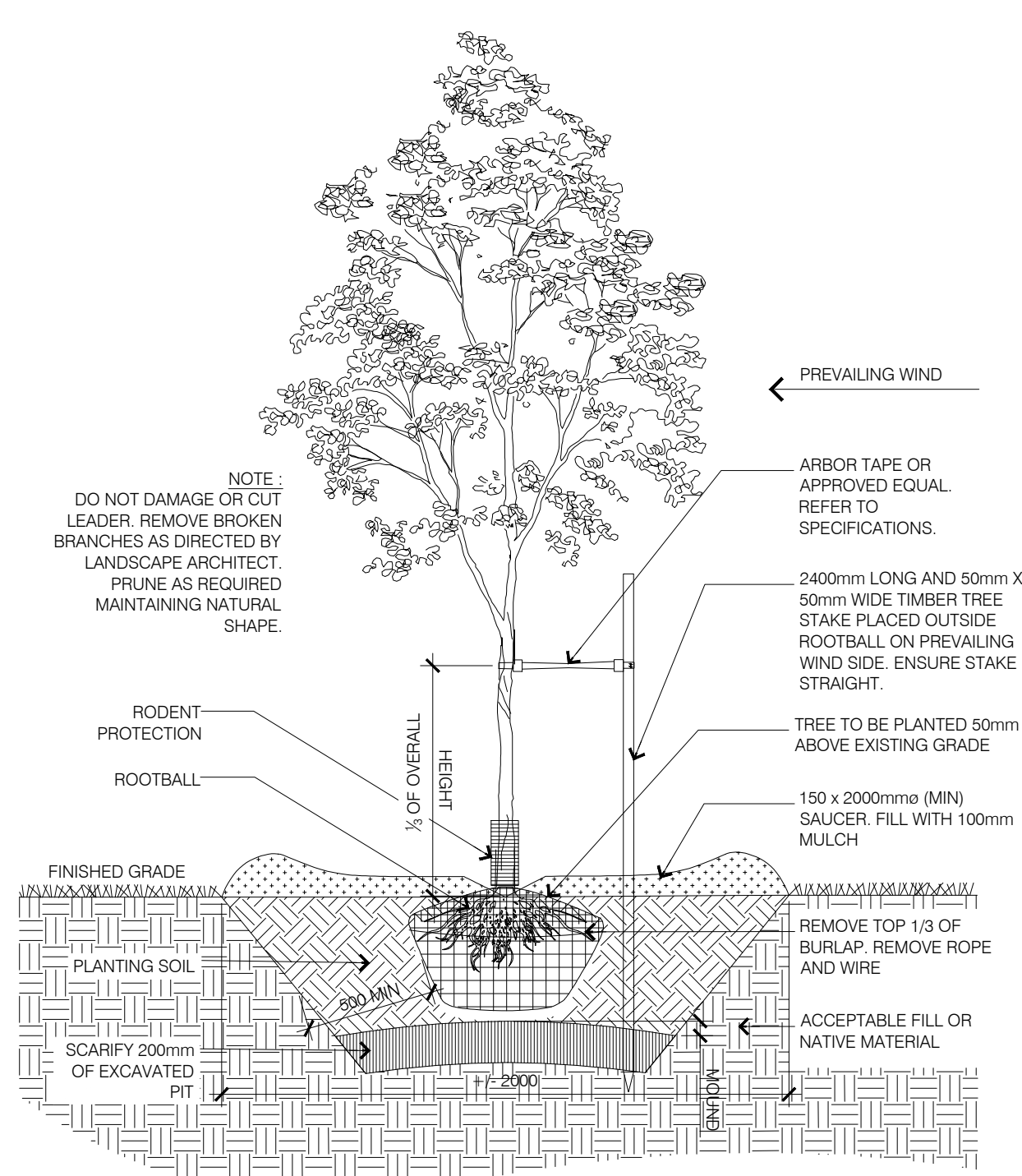
DRAWN BY: SG-RP

LA PROJECT NO.: 21813-1

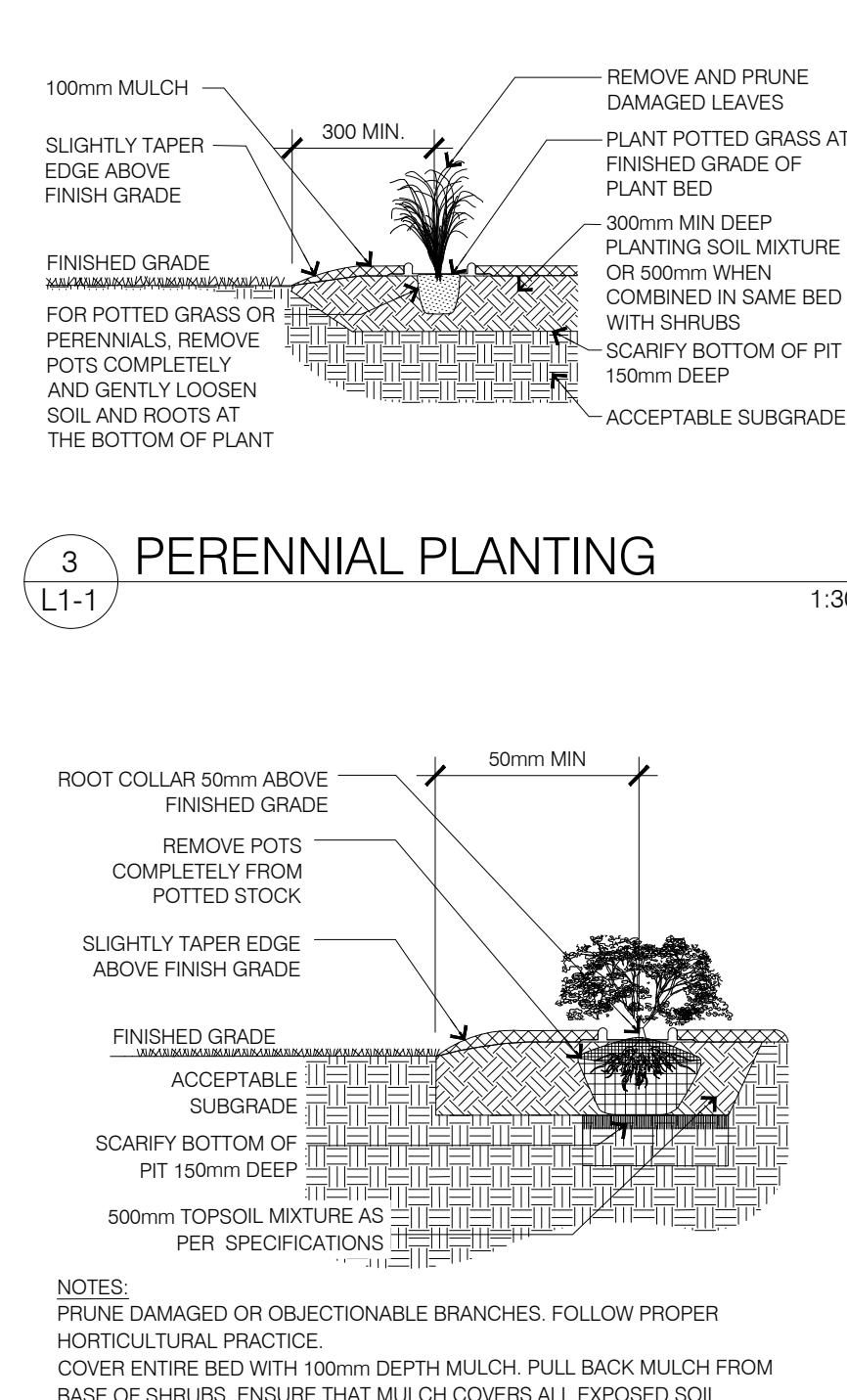
#18758



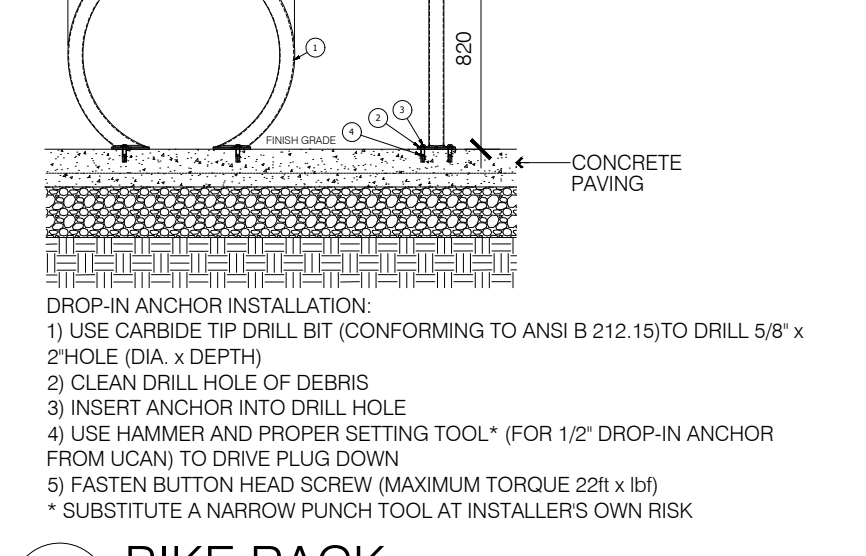
1 LANDSCAPE PLAN
L1-1



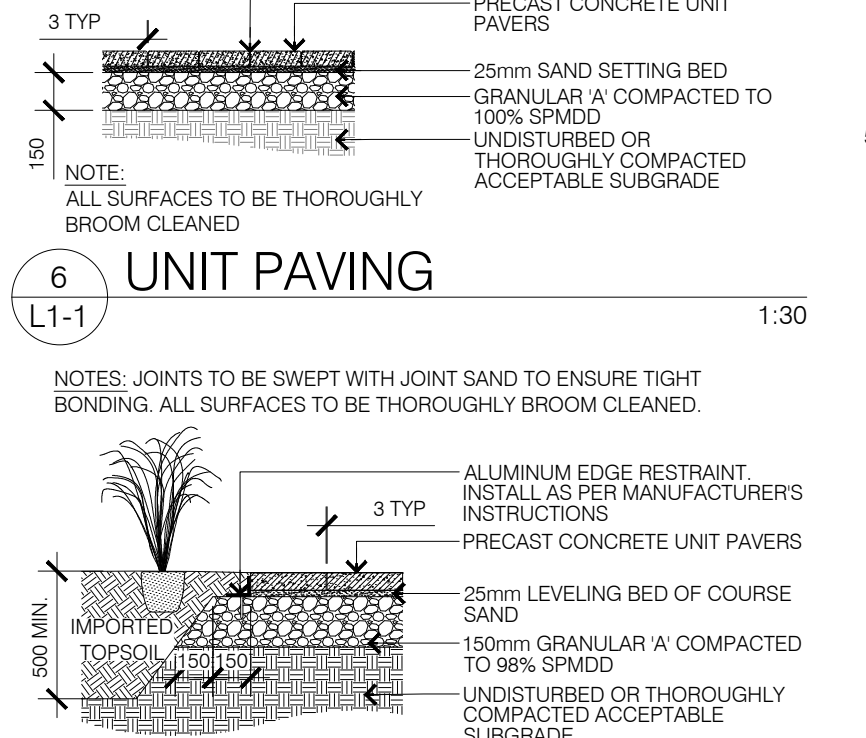
2 DECIDUOUS TREE PLANTING
L1-1



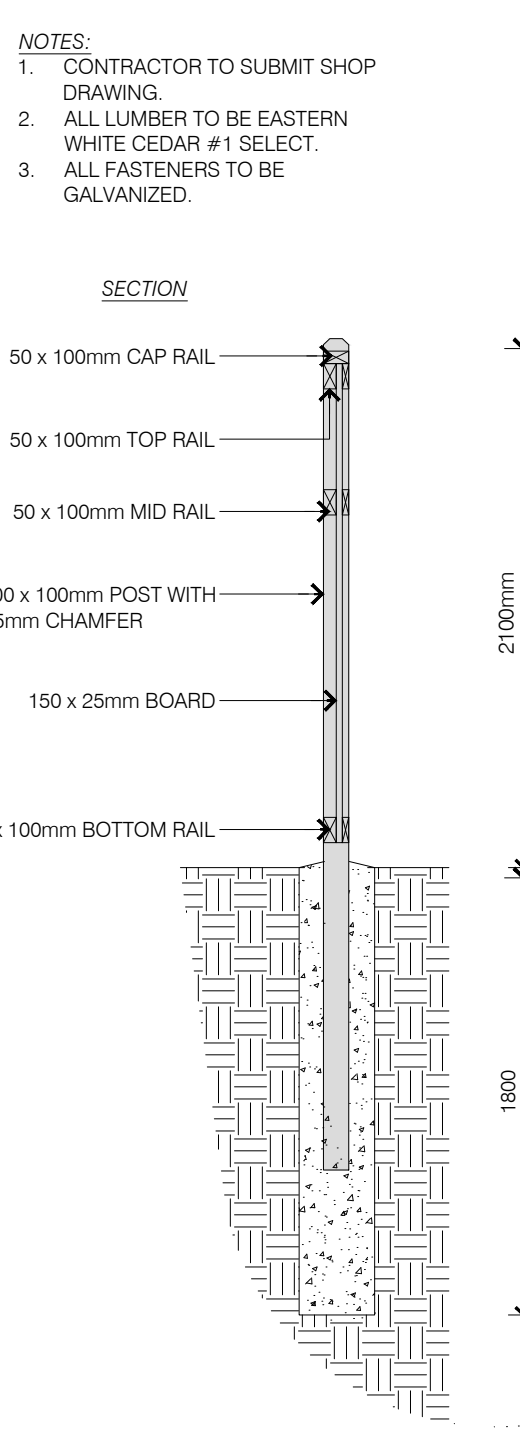
3 PERENNIAL PLANTING
L1-1



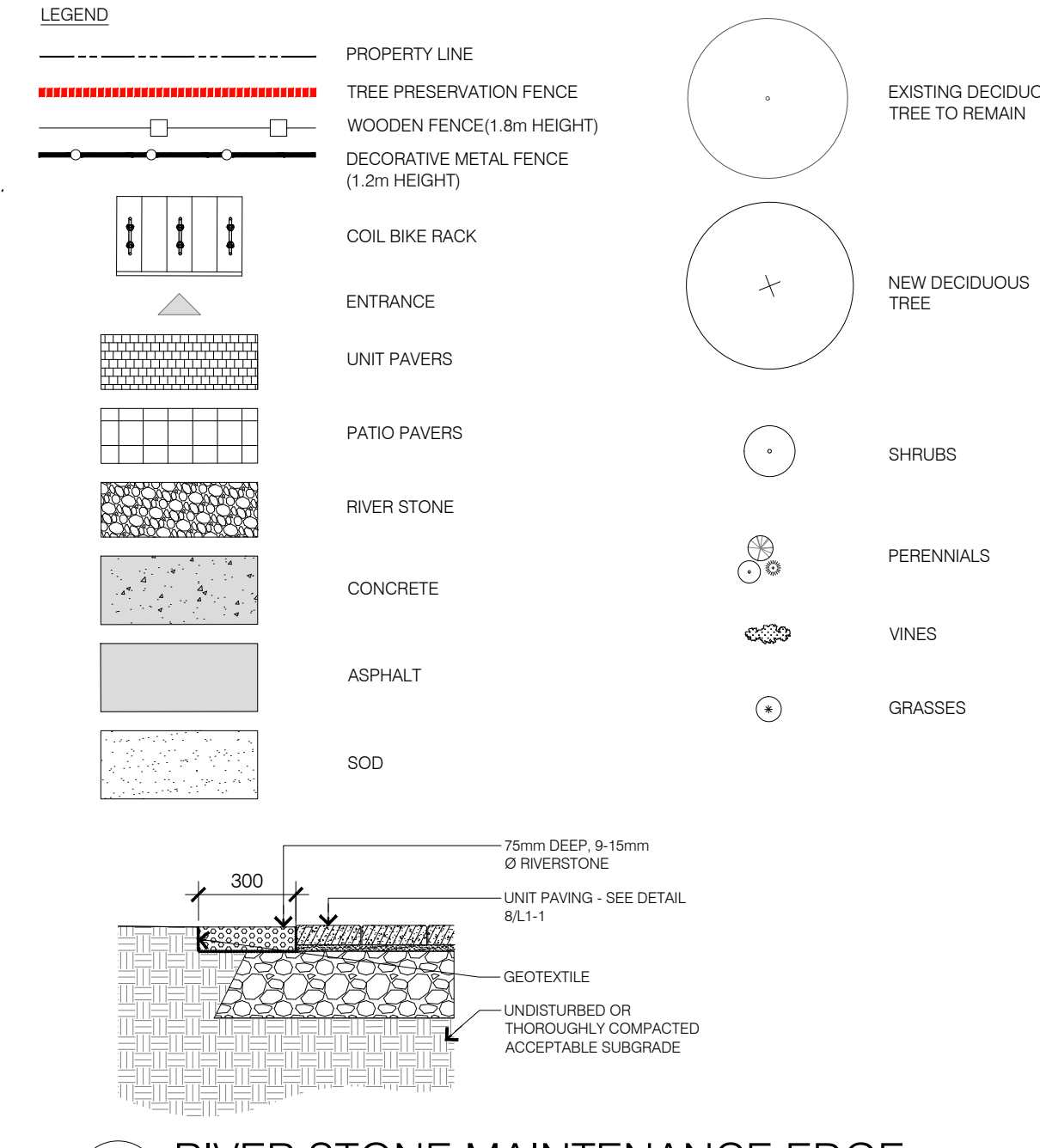
5 BIKE RACK
L1-1



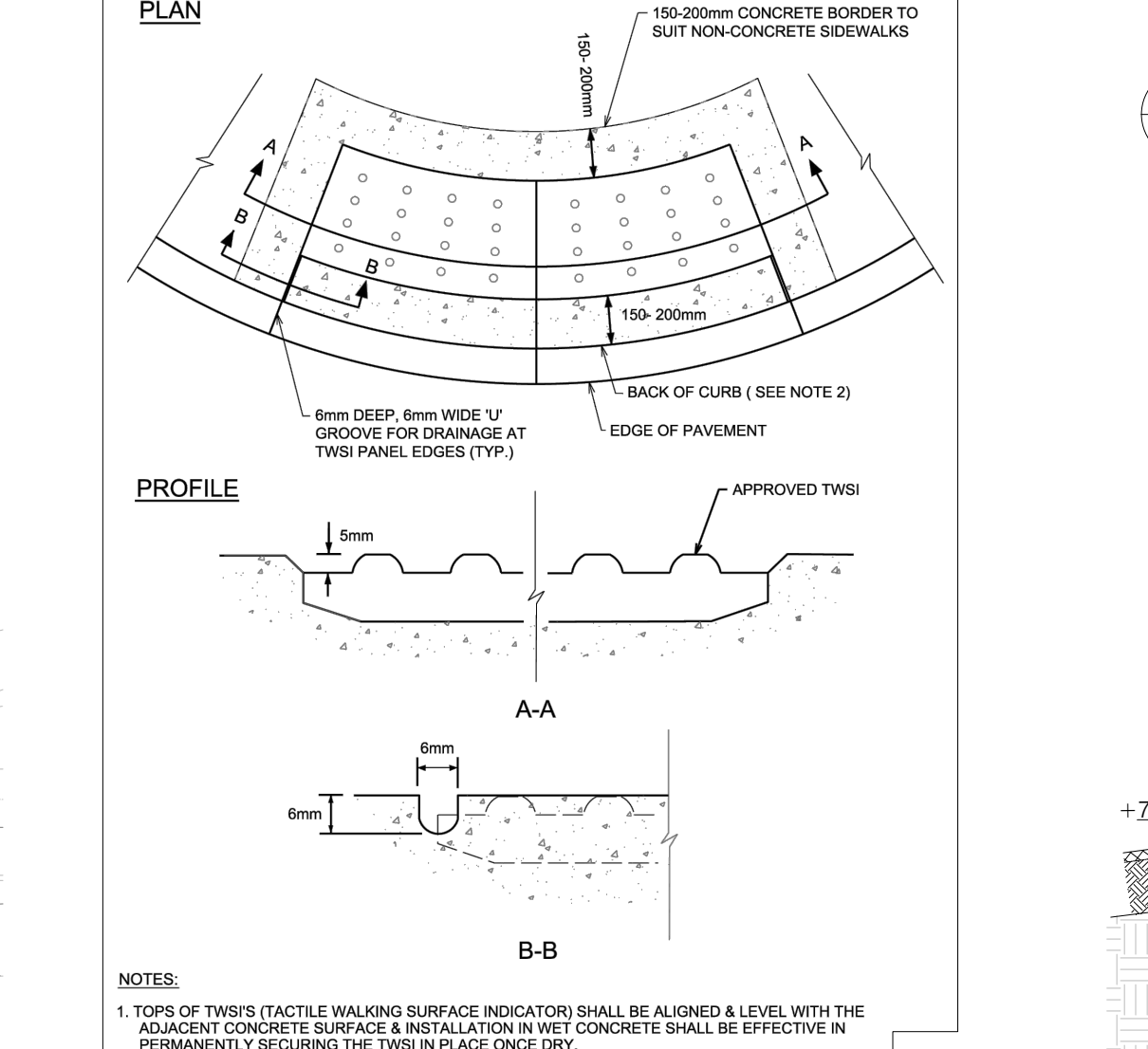
6 UNIT PAVING
L1-1



11 WOOD PRIVACY FENCE
L1-1

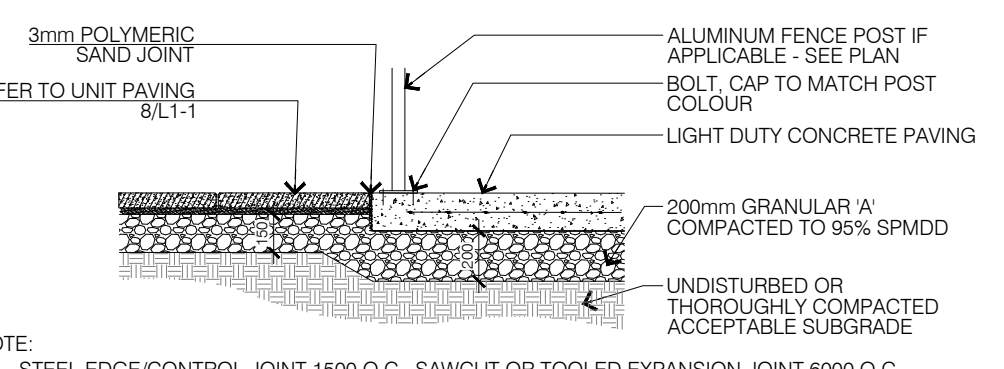


8 RIVER STONE MAINTENANCE EDGE
L1-1

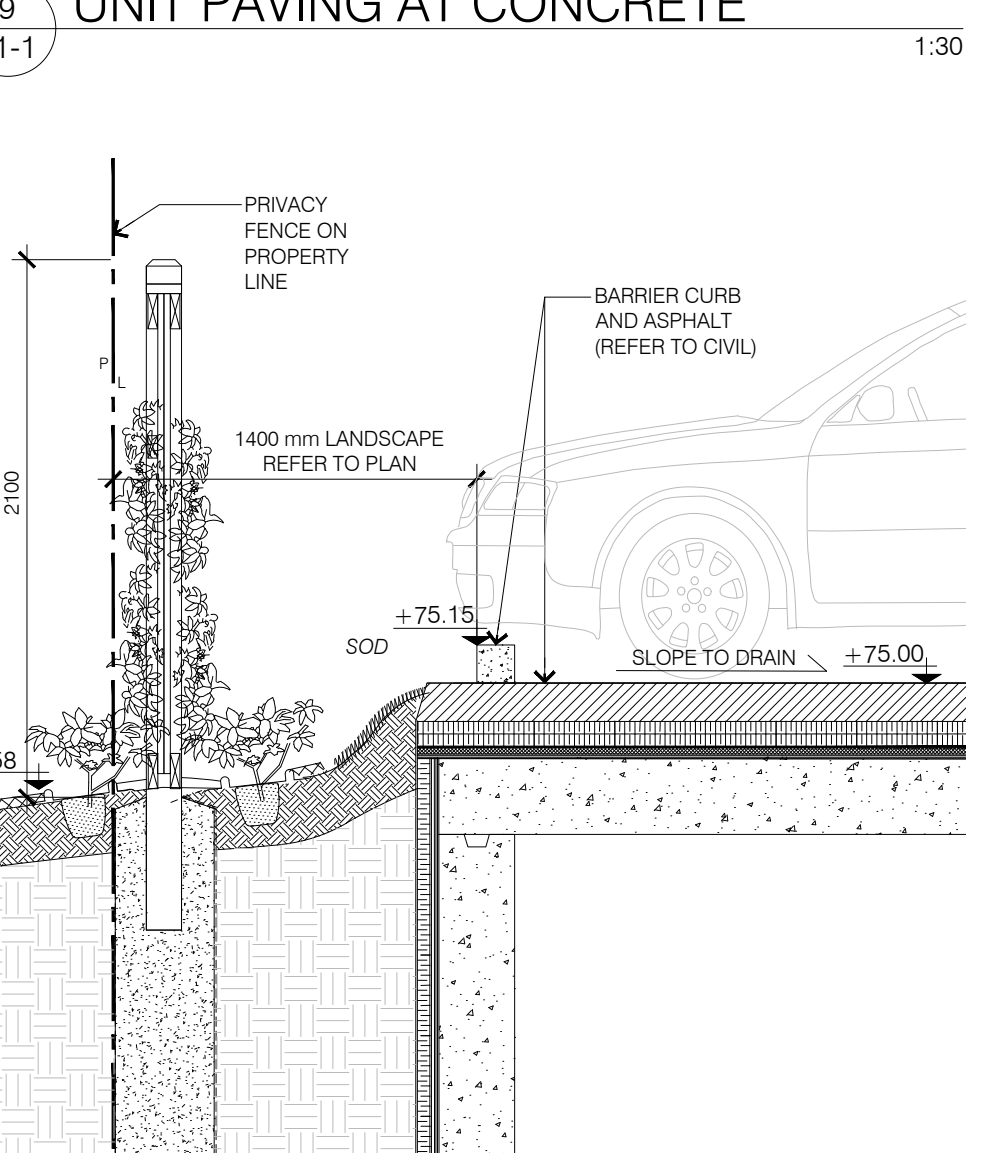


10 TWSI
L1-1

KEY	QTY	BOTANICAL NAME	COMMON NAME	SIZE	COMMENTS
DECIDUOUS TREES					
AR	2	<i>Acer rubrum autumn flame</i>	Fireman Maple	50mm CAL.	W.B.
CO	2	<i>Celtis occidentalis</i>	Hackberry	50mm	W.B.
QM	2	<i>Quercus macrocarpa</i>	Bur oak	50mm	W.B.
SHRUBS					
sm	4	<i>Syringa meyeri</i>	Dwarf Korean Lilac	1 gal	Potted
VINES					
cs	6	<i>Celastrus scandens 'Autumn Revolution'</i>	American Bittersweet	1 gal	Potted
pq	33	<i>Parthenocissus quinquefolia</i>	Virginia Creeper	1 gal	Potted
PERENNIALS					
ep	19	<i>Echinacea purpurea</i>	Purple Coneflower	1 lb	Potted
rf	18	<i>Rudbeckia hirta 'Goldstrum'</i>	Black-eyed Susan	1 gal	Potted
ls	33	<i>Liatris spicata</i>	Dense Blazing Star	p/72	Potted
GRASSES					
ca	8	<i>Calamagrostis acutiflora</i>	Karl Foerster	1 gal	Potted



9 UNIT PAVING AT CONCRETE
L1-1



12 PARKING BARRIER CURB
L1-1



KEY MAP, NTS

L1-1 GENERAL NOTES

- All general site information and conditions compiled from architect's and engineer's plans and surveys.
- Do not scale this drawing.
- Report any discrepancies prior to commencing work. No responsibility is born by the Landscape Architect for unknown subsurface conditions.
- Reinstall all areas and items damaged as a result of construction activities to the satisfaction of the Landscape Architect.
- Drawing may not be used for construction until signed by Landscape Architect as issued for construction.
- The accuracy of the position of utilities is not guaranteed.
- Individual utility co. must be contacted for confirmation of utility existence and location prior to digging.
- This drawing is an instrument of service and requires the permission of the Landscape Architect for use. Copyright is reserved by the Landscape Architect, David M. Lashley.

NO.	DATE	DESCRIPTION
9	2024-05-06	ISSUED FOR SPA
8	2023-11-15	ISSUED FOR SPA
7	2023-06-14	ISSUED FOR SPA
6	2023-05-23	ISSUED FOR SPA
5	2022-12-21	ISSUED FOR SPA
4	2022-03-18	ISSUED FOR SPA
3	2022-03-07	ISSUED FOR SPA
2	2022-03-03	REVISED FOR SPA
1	2021-11-30	ISSUED FOR REVIEW

NO. DATE DESCRIPTION



CONSULTANT:

LASHLEY + ASSOCIATES
LANDSCAPE ARCHITECTURE AND SITE ENGINEERING

200-500 CLARISTONE AVENUE
OTTAWA, ON K1T 5E6
T: 613 231 8579
F: 613 231 6901
W: LASHLEY+A.COM
E: MAIL@LASHLEY+A.COM

PROJECT:

98 + 100 BEARBROOK LANDRIC HOUSE
98 + 100 Bearbrook Drive
Gloucester, ON, K1B 3B9

DRAWING TITLE:

LANDSCAPE PLAN

DATE:	2021-07-26	DRAWING NO.:	L1-1
SCALE:	AS SHOWN		
DRAWN BY:	NG-RP		
LA PROJECT NO.	21813-1		

D07-12-23-0137