

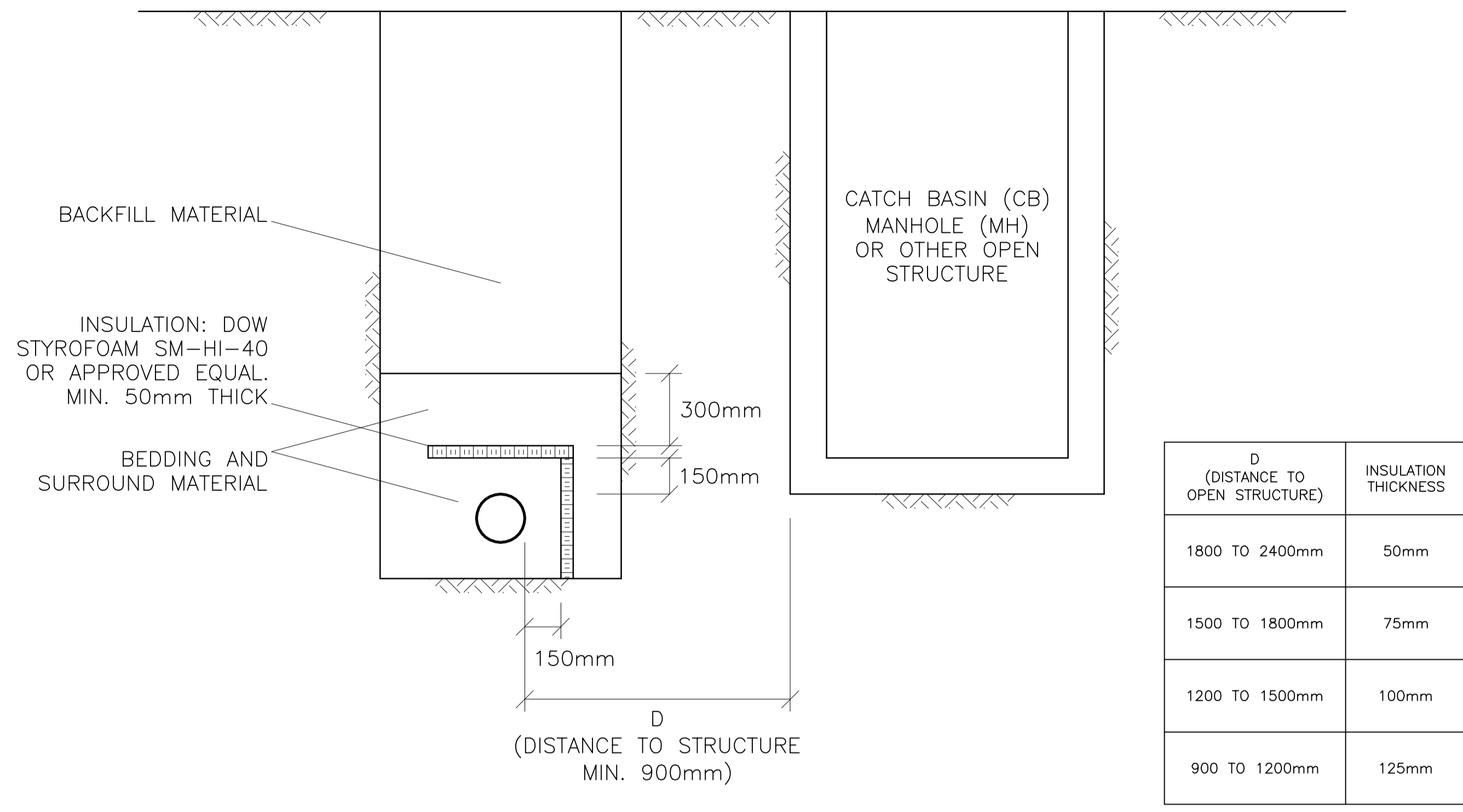
# WATER SERVICE PROFILE TABLE

MATERIAL:  
100mm PVC PRESSURE CLASS 150 DR18

STATION	DESCRIPTION	GRADE ELEVATION	TOP OF PIPE	DEPTH OF COVER	NOTES
A+00.0	400mm x 100mm TEE CONNECTION IN 400mm MUNICIPAL WATERMAIN TO CITY OF OTTAWA STANDARDS	75.18	±73.08	±2.10	START OF 50mm THICK, 1200mm WIDE INSULATION
A+02.3	100mm VALVE & VALVE BOX TO CITY OF OTTAWA STANDARDS	75.23	73.08	2.15	ON PROPERTY LINE
A+03.1	-	75.21	73.08	2.13	CROSSING WM INV 72.98 250 ST TOP 72.63
A+03.3	11.25' VERTICAL BEND DOWN	75.21	73.08	2.13	-
A+04.7	-	75.21	72.81	2.40	END OF 50mm THICK, 1200mm WIDE INSULATION
A+05.9	11.25' VERTICAL BEND UP	75.21	72.57	2.64	-
A+08.9	-	75.21	72.57	2.64	CROSSING 150 ST INV 73.07 WM TOP 72.57
A+9.5	-	75.21	72.57	2.64	CROSSING 150 SAN INV 73.07 WM TOP 72.57
A+20.3	-	75.21	72.57	2.64	CROSSING 150 SAN INV 73.07 WM TOP 72.57
A+23.8	-	75.21	72.57	2.64	CROSSING 150 SAN INV 73.07 WM TOP 72.57
A+27.1 B+00.0	CONNECTION TO 50mm WATERMAIN	75.21	72.57	2.64	-
A+34.8	-	75.21	72.57	2.64	CROSSING 150 SAN INV 73.07 WM TOP 72.57
A+38.0	-	75.21	72.57	2.64	CROSSING 150 SAN INV 73.07 WM TOP 72.57
A+50.7	100mm END CAP TO CITY OF OTTAWA STANDARDS	75.21	72.57	2.64	-

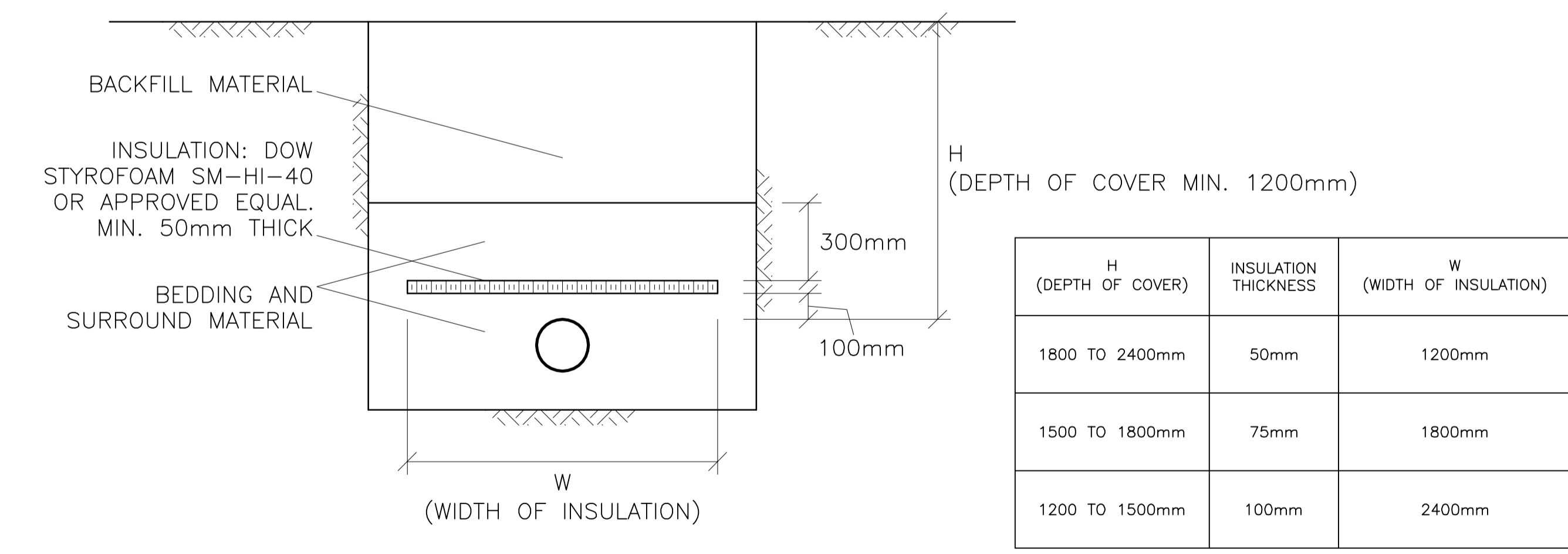
MATERIAL:  
50mm PEX TUBING TO AWWA C-904 SDR 9 (CTS)

STATION	DESCRIPTION	GRADE ELEVATION	TOP OF PIPE	DEPTH OF COVER	NOTES
B+00.0 A+27.1	CONNECTION TO 100mm WATERMAIN	75.21	72.57	2.64	-
B+01.0	50mm CURB STOP & SERVICE POST TO CITY OF OTTAWA STANDARDS	75.18	72.57	2.61	-
B+04.0	-	75.15	72.35	2.80	CROSSING 200 SAN INV 72.85 WM TOP 72.35
B+07.6	-	75.16	71.81	3.35	CROSSING 250 ST INV 72.61 WM TOP 71.81
B+41.6	50mm x 25mm REDUCER	75.31	72.91	2.40	-



INSULATE SEWER AS INDICATED.  
CENTER INSULATION OVER PIPE.  
JOINTS BETWEEN SHEETS OF INSULATION SHALL BE STAGGERED.

## INSULATION OF WATERMANS & WATER SERVICE CONNECTIONS AT OPEN STRUCTURES AS PER CITY OF OTTAWA DRAWING No. W23 N.T.S



INSULATE WATERMAIN AS INDICATED AND WHERE DEPTH OF COVER IS LESS THAN 2400mm. PROVIDE A MINIMUM 1200mm COVER.  
CENTER INSULATION OVER PIPE.  
JOINTS BETWEEN SHEETS OF INSULATION SHALL BE STAGGERED.

## INSULATION OF WATERMANS & WATER SERVICE CONNECTIONS IN SHALLOW TRENCHES N.T.S

### KEY PLAN



No.	DATE	REVISION
2	MAY 6-24	ISSUED FOR APPROVAL
1	MAY 2-24	ISSUED FOR COORDINATION

**D. B. GRAY ENGINEERING INC.**  
Stormwater Management - Grading & Drainage - Storm & Sanitary Sewers - Watermain

700 Long Point Circle      613-425-8044  
Ottawa, Ontario      d.gray@dbgrayengineering.com

Project  
**STACKED TOWNS  
BUILDING A - 20 UNITS  
BUILDING B - 24 UNITS  
2506 INNES ROAD  
OTTAWA, ONTARIO**

### Drawing Title SCHEDULES (WATER SERVICE)

	<table border="1" style="width: 100%; border-collapse: collapse;"> <tr> <td>Drawn</td> <td>D.B.G.</td> </tr> <tr> <td>H. Scale</td> <td></td> </tr> <tr> <td>V. Scale</td> <td></td> </tr> <tr> <td>Date</td> <td>Dec 21-23</td> </tr> <tr> <td>Job No.</td> <td>23087</td> </tr> </table>	Drawn	D.B.G.	H. Scale		V. Scale		Date	Dec 21-23	Job No.	23087
Drawn	D.B.G.										
H. Scale											
V. Scale											
Date	Dec 21-23										
Job No.	23087										
<p>NOT VALID UNLESS SIGNED &amp; DATED</p>	<p>Drawing No. <b>C-8 of 10</b></p>										