

- TREE IDENTIFICATION NUMBER
- EXISTING DECIDUOUS TREE
- EXISTING VEGETATION
- EXISTING VEGETATION TO BE REMOVED
- EXISTING TREE STUMP TO BE REMOVED
- CRITICAL ROOT ZONE (CRZ)
- TREE PROTECTION FENCE REFER TO DETAIL 2/1100
- EXISTING FENCE
- PROPERTY LINE

Notes

1. ALL DIMENSIONS IN MILLIMETERS UNLESS OTHERWISE NOTED.
2. THE PROJECT INCLUDES WORK IN CLOSE PROXIMITY TO EXISTING TREES, REFER TO TREE PRESERVATION NOTES TO MITIGATE DAMAGE TO EXISTING TREES.
3. SITE PLAN PREPARED BY: COLIZZA BRUNI ARCHITECTURE, SP1, DATED DECEMBER 15, 2023.
4. TOPOGRAPHIC SURVEY SUPPLIED BY ANNIS, O'SULLIVAN, VOLLEBEKK LTD. PART OF LOTS 2 AND 3 AND LOT 10, REGISTERED PLAN 30, CITY OF OTTAWA.

5	ISSUED FOR CITY REVIEW	TA	KP	24.06.18
4	ISSUED FOR CITY REVIEW	TA	KP	24.05.16
3	ISSUED FOR CITY REVIEW	TA	KP	24.04.02
2	ISSUED FOR CITY REVIEW	CA	KP	24.01.24
1	ISSUED FOR CLIENT REVIEW	CA	KP	24.01.08

Revision			
File Name:	160401782_LB	CA	KP
		Dwn.	Chkd.
		Dsgn.	Y.Y.M.M.DD

Permit-Seal



Client/Project  
REZY PROPERTIES INC.

CENTRETOWN  
283-285 MCLEOD STREET  
OTTAWA, ON

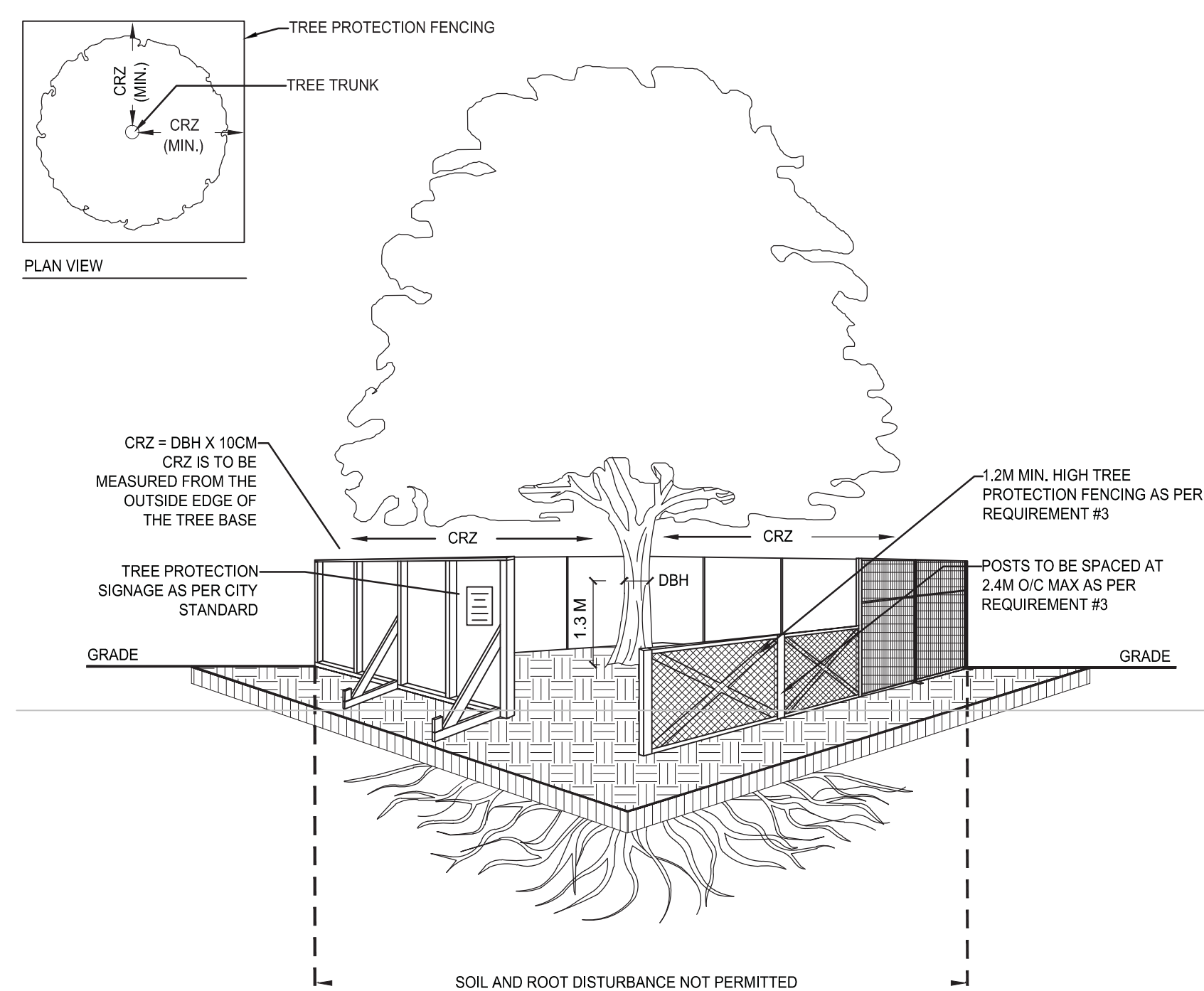
Title  
TREE PRESERVATION PLAN,  
INVENTORY, DETAIL AND NOTES

Project No.	160401782	Scale	1:100
Drawing No.	L100	Sheet	1 of 3
		Revision	5

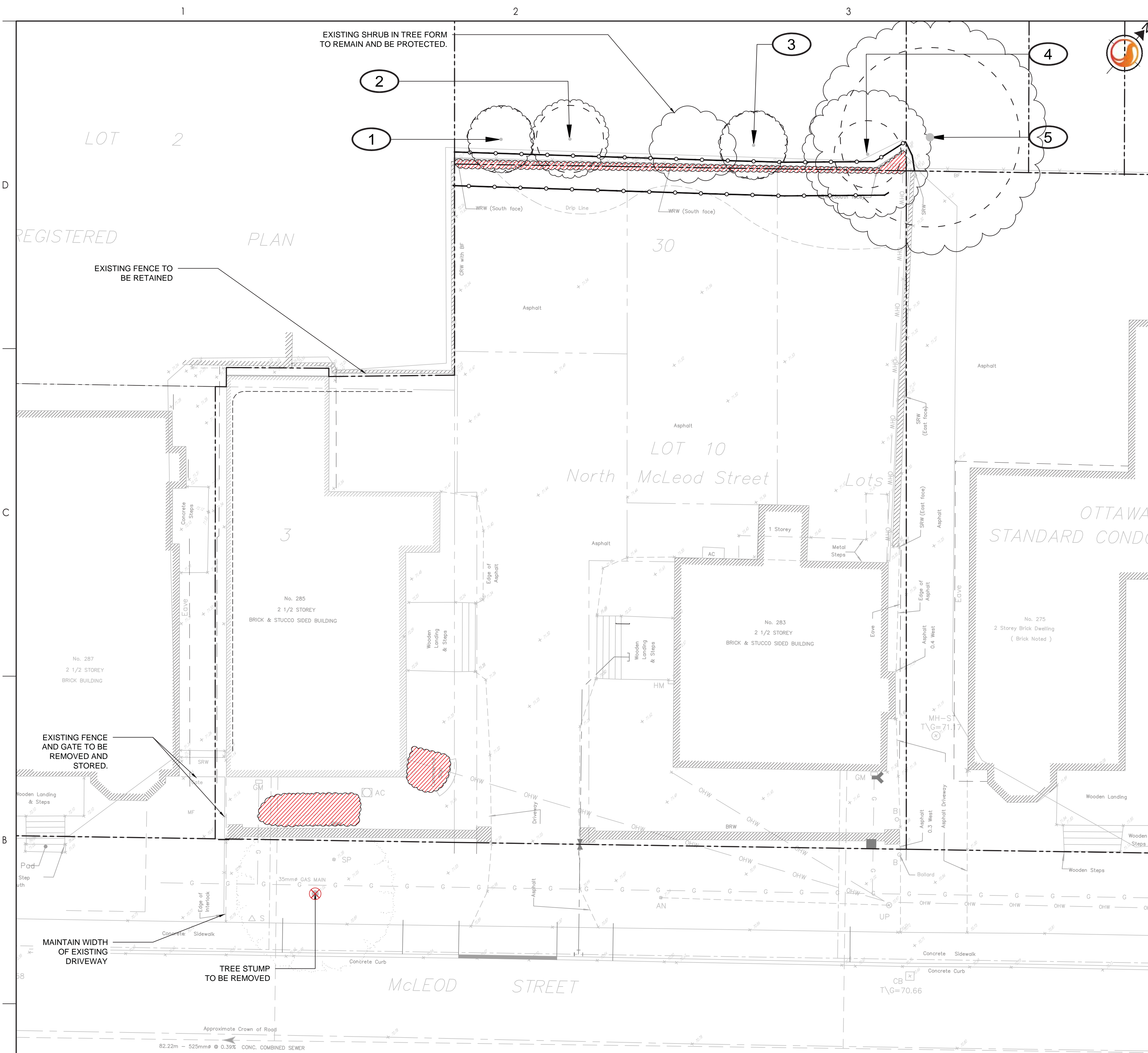
ID	BOTANICAL NAME	COMMON NAME	DBH (CM)	HEALTH/ CONDITION	OWNERSHIP	REMARKS	CONSTRUCTION REQUIREMENTS
1	Malus spp.	Crabapple Tree	10 ; 8	Fair / Poor	Private / Adj.	Multistem (2 stems). Reduced canopy vigor. visible trunk lacerations.	TO BE RETAINED
2	Malus spp.	Crabapple Tree	12 ; 11 ; 10	Good	Private / Adj.	Multistem (3 stems).	TO BE RETAINED
3	Malus spp.	Crabapple Tree	13 ; 6	Fair / Poor	Private / Adj.	Multistem (2 stems). Reduced canopy vigor. visible trunk lacerations.	TO BE RETAINED
4	Malus spp.	Crabapple Tree	13 ; 8 ; 7	Good	Private / Adj.	Multistem (3 stems).	TO BE RETAINED
5	Acer saccharum	Sugar Maple	40	Good	Private / Adj.		TO BE RETAINED

NOTES:

- TREE PROTECTION REQUIREMENTS:
1. PRIOR TO ANY WORK ACTIVITY WITHIN THE CRITICAL ROOT ZONE (CRZ = 10X DIAMETER) OF A TREE, TREE PROTECTION FENCING MUST BE INSTALLED SURROUNDING THE CRITICAL ROOT ZONE, AND REMAIN IN PLACE UNTIL THE WORK IS COMPLETE.
  2. UNLESS PLANS ARE APPROVED BY CITY FORESTRY STAFF, FOR WORK WITHIN THE CRZ:
    - DO NOT PLACE ANY MATERIAL OR EQUIPMENT - INCLUDING OUTHOUSES;
    - DO NOT ATTACH ANY SIGNS, NOTICES OR POSTERS TO ANY TREE;
    - DO NOT RAISE OR LOWER THE EXISTING GRADE;
    - TUNNEL OR BORE WHEN DIGGING;
    - DO NOT DAMAGE THE ROOT SYSTEM, TRUNK, OR BRANCHES OF ANY TREE;
    - ENSURE THAT EXHAUST FUMES FROM ALL EQUIPMENT ARE NOT DIRECTED TOWARD ANY TREE CANOPY;
    - DO NOT EXTEND HARD SURFACE OR SIGNIFICANTLY CHANGE LANDSCAPING.
  3. TREE PROTECTION FENCING MUST BE AT LEAST 1.2M IN HEIGHT, AND CONSTRUCTED OF RIGID OR FRAMED MATERIALS (E.G. MODULOC - STEEL, PLYWOOD HOARDING, OR SNOW FENCE ON A 2'X4' WOOD FRAME) WITH POSTS 2.4M APART, SUCH THAT THE FENCE LOCATION CANNOT BE ALTERED. ALL SUPPORTS AND BRACING MUST BE PLACED OUTSIDE OF THE CRZ, AND INSTALLATION MUST MINIMIZE DAMAGE TO EXISTING ROOTS. (SEE DETAIL)
  4. THE LOCATION OF THE TREE PROTECTION FENCING MUST BE AS INDICATED ON THE TREE PRESERVATION PLAN WITHIN THIS SET OF DRAWINGS. THE PLAN AND CONSTRUCTED FENCING MUST BE APPROVED BY CITY FORESTRY STAFF PRIOR TO COMMENCEMENT OF WORK.
  5. IF THE FENCED TREE PROTECTION AREA MUST BE REDUCED TO FACILITATE CONSTRUCTION, MITIGATION MEASURES MUST BE PRESCRIBED BY AN ARBORIST AND APPROVED BY CITY FORESTRY STAFF. THESE MAY INCLUDE THE PLACEMENT OF PLYWOOD, WOOD CHIPS, OR STEEL PLATING OVER THE ROOTS FOR PROTECTION OR THE PROPER PRUNING AND CARE OF ROOTS WHERE ENCOUNTERED.
- THE CITY'S TREE PROTECTION BY-LAW, 2020-340 PROTECTS BOTH CITY-OWNED TREES, CITY-WIDE, AND PRIVATELY-OWNED TREES WITHIN THE URBAN AREA. PLEASE REFER TO WWW.OTTAWA.CA/TREEBYLAW FOR MORE INFORMATION ON HOW THE TREE BY-LAW APPLIES.



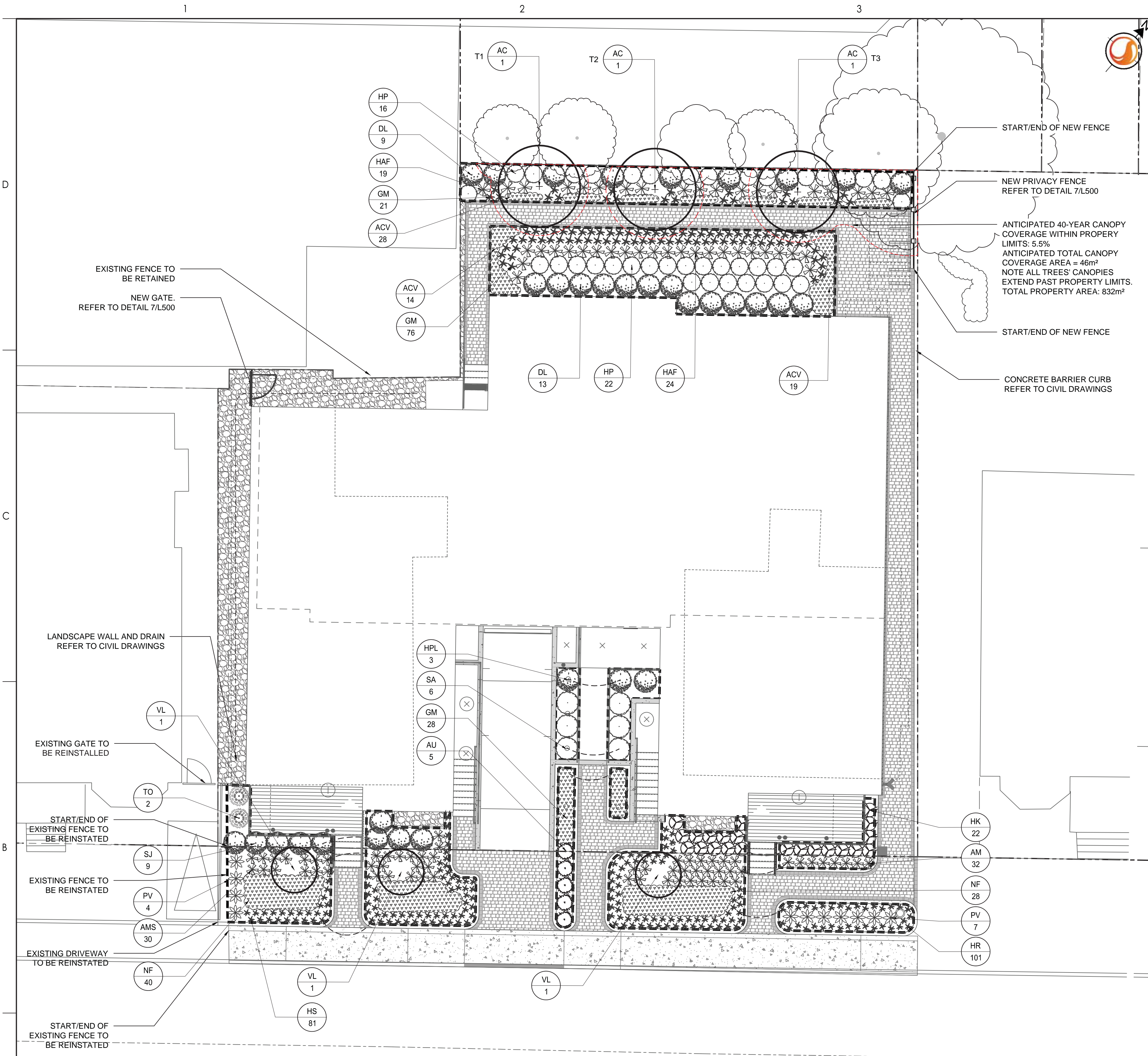
2 TREE PROTECTION FENCE  
N.T.S.



1 TREE PRESERVATION PLAN  
1:100

- TREE PRESERVATION NOTES**
1. NO VEGETATION SHALL BE REMOVED WITHOUT MUNICIPAL WRITTEN APPROVAL.
  2. LOCATION OF EXISTING TREES IS FOR REFERENCE ONLY AND SHALL BE CONFIRMED BY AN ARBORIST AND SURVEYOR.
  3. NO VEGETATION REMOVAL SHALL OCCUR BETWEEN APRIL 8 AND AUGUST 28 OF ANY YEAR TO PROTECT BREEDING MIGRATORY BIRDS, AS WELL AS AT RISK BAT SPECIES. SHALL TREE REMOVAL DURING THIS PERIOD BE UNAVOIDABLE, THE CONTRACTOR IS REQUIRED TO CONDUCT A NESTING SURVEY BY A REGISTERED PROFESSIONAL AVIAN BIOLOGIST TO IDENTIFY AND ENSURE NO NESTING ACTIVITIES ARE PRESENT. TREE REMOVAL WILL BE ALLOWED WITHIN FIVE (5) DAYS OF CONDUCTING THE SURVEY.
  4. CONTRACTOR SHALL ENSURE THE PROTECTION OF MATURE TREES IDENTIFIED TO BE RETAINED. TREE PROTECTION FENCING SHALL BE INSTALLED AT THE CRITICAL ROOT ZONE (CRZ) OF TREES WHERE THE CRZ IS ESTABLISHED AS BEING 10 CENTIMETRES FROM THE TRUNK OF A TREE FOR EVERY CENTIMETRE OF TRUNK DIAMETER AT BREAST HEIGHT (DBH). THE CRZ IS CALCULATED AS DBH X 10 CM. TREE PROTECTION FENCING SHALL BE INSTALLED AS SPECIFIED.
  5. DURING EXCAVATION EQUIPMENT MUST BE MAINTAINED WITHIN THE CONFINES OF THE WORK AREA SO AS NOT TO DISRUPT ANY TURF OR TREE ROOTS UNNECESSARILY. DO NOT PLACE ANY MATERIAL OR EQUIPMENT WITHIN THE CRITICAL ROOT ZONE (CRZ) OF ANY TREE TO BE RETAINED.
  6. CONTRACTOR SHALL ENSURE THAT NO FILL WILL BE ALLOWED TO OCCUR ON THE SURFACE ABOVE THE CRITICAL ROOT ZONE (CRZ) OF TREES.
  7. ALL EXCAVATED MATERIAL, INCLUDING IMPORTED MATERIAL, MUST BE REMOVED IMMEDIATELY AND NOT PLACED ON GRASS OR NEAR TREES IN ORDER TO PREVENT ROOT DAMAGE, ACCIDENTAL HITTING OF ADJACENT TREES, AND TURF DAMAGE OUTSIDE OF WORK AREA.
  8. CONTRACTOR SHALL MINIMIZE SOIL COMPACTION BY KEEPING OPERATION OF MACHINERY AND EQUIPMENT CONFINED TO DESIGNATED WORK AREA.
  9. CONTRACTOR SHALL KEEP A SPILL KIT ON SITE.
  10. CONTRACTOR SHALL DEVELOP AN EMERGENCY RESPONSE PLAN.
  11. CONTRACTOR SHALL AVOID SOIL CONTAMINATION AND FUTURE LIABILITY BY CONFINING THE OILING AND REFUELING OF MACHINERY AND EQUIPMENT TO DESIGNATED STAGING AREA.
  12. NO FUEL IS TO BE STORED WITHIN THE CRITICAL ROOT ZONE (CRZ) OF ANY TREE AND EXHAUST FUMES FROM ALL EQUIPMENT MUST NOT BE DIRECTED TOWARDS ANY TREE'S CANOPY.
  13. CONTRACTOR SHALL PREVENT ANY DAMAGE TO THE ROOT SYSTEM, TRUNK OR BRANCHES OF ANY TREES TO BE RETAINED ON SITE AND ON ADJACENT PROPERTIES.
  14. STORAGE OF EQUIPMENT AND VEHICLES WITHIN THE CRITICAL ROOT ZONE (CRZ) OF EXISTING TREES IS STRICTLY PROHIBITED.
  15. WHERE LIMBS OR PORTIONS OF TREES ARE REMOVED TO ACCOMMODATE CONSTRUCTION WORK, THEY WILL BE REMOVED CAREFULLY IN ACCORDANCE WITH ACCEPTED ARBORICULTURAL PRACTICES.
  16. WHERE NECESSARY, THE TREES WILL BE GIVEN AN OVERALL PRUNING TO RESTORE THEIR APPEARANCE. NOT MORE THAN ONE THIRD OF THE TOTAL BRANCHING SHALL BE REMOVED DURING A SINGLE OPERATION. THE SERVICES OF A CERTIFIED ARBORIST SHALL BE RETAINED FOR THIS TASK.
- WORK WITHIN PROTECTED AREAS**
- a. EXCAVATION WORK:
    - i. TO ENSURE THE ROOTS ARE NOT DISTURBED MORE THAN NECESSARY AND WHERE EXCAVATION WORKS ARE UNAVOIDABLE WITHIN THE CRZ OF TREES, THE FOLLOWING MITIGATION MEASURES SHALL BE USED:
      1. ALL EXCAVATION WITHIN THE CRZ OF TREES SHALL BE BY HAND OR HYDRO EXCAVATION USING THE SMALLEST TOOLS. ROOT CUTTING SHALL BE MADE USING A SHARP SPADE OR KNIFE AT THE LIMIT OF DISTURBANCE PRIOR TO ANY CONSTRUCTION ACTIVITIES.
      2. GRADING WORK:
        - WHERE RE-GRADING IS REQUIRED WITHIN THE CRZ, IT SHOULD BE PERFORMED BY HAND UNDER THE SUPERVISION OF A CERTIFIED ARBORIST.
      3. ANY ROOTS THAT ARE EXPOSED BY CONSTRUCTION ACTIVITIES MUST BE COVERED WITH NATIVE TOPSOIL IMMEDIATELY, TO ENSURE THAT THE ROOTS DO NOT DRY OUT OR HAVE ANY FURTHER DAMAGE OCCUR TO THEM.
    - ii. THE CONTRACTOR SHALL ONLY TUNNEL OR BORE WITHIN THE CRZ, INSTEAD OF CREATING A TRENCH.
    - iii. ANY ROOTS THAT ARE EXPOSED BY CONSTRUCTION ACTIVITIES MUST BE COVERED WITH NATIVE TOPSOIL IMMEDIATELY, TO ENSURE THAT THE ROOTS DO NOT DRY OUT OR HAVE ANY FURTHER DAMAGE OCCUR TO THEM.
  - b. IN ALL THOSE INSTANCES WHERE ROOT PRUNING IS REQUIRED, THE SERVICE OF A CERTIFIED ARBORIST OR QUALIFIED TREE WORKER UNDER THE SUPERVISION OF A CERTIFIED ARBORIST SHALL BE RETAINED. IN ADDITION, ALL REMEDIAL WORKS MUST BE CONDUCTED BY A CERTIFIED CARE PROFESSIONAL TO ENSURE PROPER CARE IS ADMINISTERED IN ORDER TO ENABLE THE CONTINUED HEALTH OF THE TREES.

W:\projects\160401782\Design\Drawings\160401782\_LB\_Plan.dwg 2024/06/18 11:53 AM RY-Allen, Tommy



**PLANTING SCHEDULE - L200**

QUANTITIES	KEY	BOTANICAL NAME	COMMON NAME	SIZE AT PLANTING	REMARKS
<b>DECIDUOUS TREES - REFER TO DETAIL 1/L500</b>					
3	AC	<i>Amelanchier canadensis</i>	Shadblow Serviceberry	50mm (cal.)	W.B. Tree form.
<b>DECIDUOUS SHRUBS - REFER TO DETAIL 2/L500</b>					
3	VL	<i>Viburnum lentago</i>	Nannyberry	50mm (cal.)	W.B. Tree form.
22	DL	<i>Diervilla lonicera</i>	Bush Honeysuckle	500mm (ht.)	Potted; Plant at 1000mm o.c.
38	HP	<i>Hydrangea paniculata 'Bomshel'</i>	Bomshel Hydrangea	400mm (ht.)	Potted; Plant at 800mm o.c.
3	HPL	<i>Hydrangea paniculata 'Limelight Prime'</i>	Limelight Prime Hydrangea	500mm (ht.)	Potted; Plant at 1000mm o.c.
22	HK	<i>Hypericum kalmianum</i>	Pot O'Gold	2 Gallon	Potted; Plant at 600mm o.c.
6	SA	<i>Symphoricarpos albus</i>	Snowberry	500mm (ht.)	Potted. Plant at 1000mm o.c.
9	SJ	<i>Spiraea japonica 'Goldmound'</i>	Goldmound Spirea	400mm (ht.)	Potted. Plant at 1000mm o.c.
<b>CONIFEROUS &amp; BROADLEAF EVERGREEN SHRUBS - REFER TO DETAIL 2/L500</b>					
5	AU	<i>Arctostaphylos uva-ursi 'Massachusetts'</i>	Massachusetts Bearberry	1 Gallon	Potted. Plant at 750mm o.c.
2	TO	<i>Thuja occidentalis 'Emerald'</i>	Emerald Cedar	1750mm (ht.)	Potted. Plant at 1000mm o.c.
<b>PERENNIALS &amp; ORNAMENTAL GRASSES - REFER TO DETAIL 3/L500</b>					
30	AMS	<i>Achillea millefolium 'Saucy Seduction'</i>	Saucy Seduction Yarrow	1 Gallon	Potted. Plant at 500mm o.c.
32	AM	<i>Achillea millefolium 'Sunny Seduction'</i>	Sunny Seduction Yarrow	1 Gallon	Potted. Plant at 500mm o.c.
61	ACV	<i>Astilbe chinensis 'Vision in Red'</i>	Vision In Red False Spirea	1 Gallon	Potted. Plant at 400mm o.c.
125	GM	<i>Geranium maculatum</i>	Wild Geranium	1 Gallon	Potted. Plant at 400mm o.c.
101	HR	<i>Hemerocallis 'Rosy Returns'</i>	Rosy Returns Daylily	1 Gallon	Potted. Plant at 400mm o.c.
81	HS	<i>Hemerocallis 'Stella de Oro'</i>	Stella de Oro Daylily	1 Gallon	Potted. Plant at 400mm o.c.
43	HAF	<i>Hosta 'Autumn Frost'</i>	Autumn Frost Plantain Lily	1 Gallon	Potted. Plant at 750mm o.c.
68	NF	<i>Nepeta x faassenii 'Cat's Meow'</i>	Cat's Meow Catmint	1 Gallon	Potted. Plant at 500mm o.c.
11	PV	<i>Panicum virgatum 'Shenandoah'</i>	Shenandoah Reed Switch Grass	1 Gallon	Potted. Plant at 750mm o.c.

**TREE PLANTING RELATED TO SOIL VOLUME**

TREE	AVAILABLE SOIL VOLUME (m <sup>3</sup> )	RECOMMENDED TREE TYPE/SOIL VOLUME	PLANTED TREE TYPE	COMMENTS
T1	22	Small	Small	Underground gas line.
T2	20.5	Small	Small	Underground gas line.
T3	29.5	Small	Small	Underground gas line.
T4	44	Medium	Small	Downsized to small due to proximity to building foundation.
T5	44	Medium	Small	Downsized to medium due to proximity to nearby properties and buildings.
T6	44	Medium	Small	Downsized to medium due to proximity to nearby properties and buildings.



Stantec Consulting Ltd.  
300 - 1331 Clyde Avenue  
Ottawa ON  
Tel. 613.722.4420  
www.stantec.com

Copyright Reserved  
The Contractor shall verify and be responsible for all dimensions. DO NOT scale the drawing - any errors or omissions shall be reported to Stantec without delay.  
The Copyrights to all designs and drawings are the property of Stantec. Reproduction or use for any purpose other than that authorized by Stantec is forbidden.

- Legend**
- EXISTING DECIDUOUS TREE
  - EXISTING VEGETATION
  - ANTICIPATED 40-YEAR TREE CANOPY COVERAGE
  - PROPOSED DECIDUOUS TREE
  - PROPOSED DECIDUOUS SHRUBS
  - PROPOSED CONIFEROUS & BROADLEAF SHRUBS
  - PROPOSED PERENNIALS & ORNAMENTAL GRASSES
  - PROPOSED PLANTING BED
  - PROPOSED RIVER WASHED STONES
  - PROPOSED UNIT PAVERS - TYPE 1
  - PROPOSED UNIT PAVERS - TYPE 2
  - EXISTING FENCE
  - PROPOSED FENCE
  - PROPERTY LINE

- Notes**
- ALL DIMENSIONS IN MILLIMETERS UNLESS OTHERWISE NOTED.
  - THE PROJECT INCLUDES WORK IN CLOSE PROXIMITY TO EXISTING TREES, REFER TO L100 FOR TREE PRESERVATION NOTES TO MITIGATE DAMAGE TO EXISTING TREES.
  - SITE PLAN PREPARED BY: COLIZZA BRUNI ARCHITECTURE, SP1, DATED DECEMBER 15, 2023.
  - TOPOGRAPHIC SURVEY SUPPLIED BY ANNIS, O'SULLIVAN, VOLLEBEKK LTD. PART OF LOTS 2 AND 3 AND LOT 10, REGISTERED PLAN 30, CITY OF OTTAWA.

Revision	By	Appd.	YY.MM.DD	
5	ISSUED FOR CITY REVIEW	TA	KP	24.06.18
4	ISSUED FOR CITY REVIEW	TA	KP	24.05.16
3	ISSUED FOR CITY REVIEW	TA	KP	24.04.02
2	ISSUED FOR CITY REVIEW	CA	KP	24.01.24
1	ISSUED FOR CLIENT REVIEW	CA	KP	24.01.08



Client/Project  
**REZY PROPERTIES INC.**

**CENTRETOWN**  
283-285 MCLEOD STREET  
OTTAWA, ON

Title  
**LANDSCAPE PLAN & LANDSCAPE NOTES**

Project No. 160401782\_LB  
Scale 1:100  
Drawing No. L200  
Sheet 2 of 3  
Revision 5

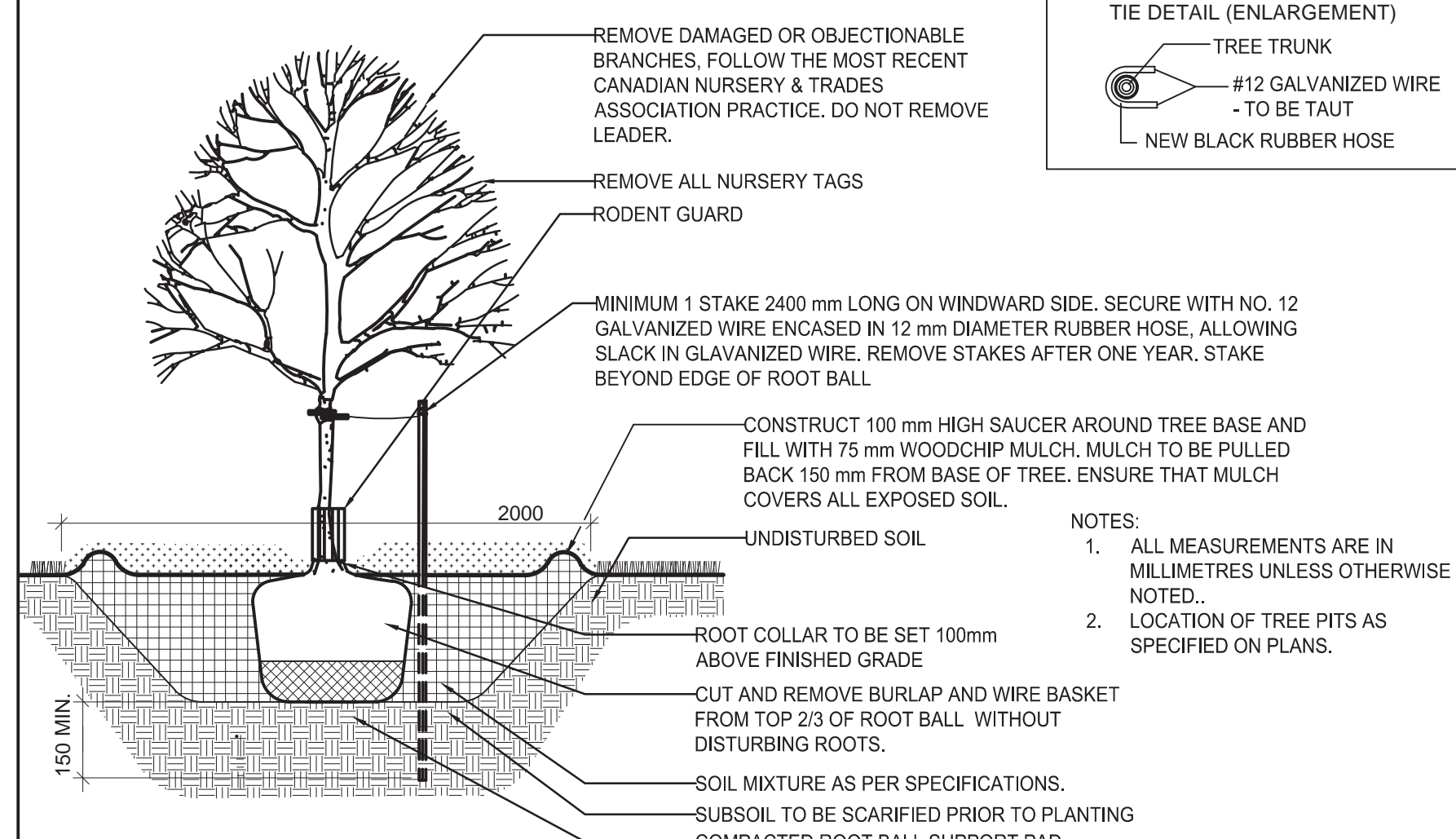
**1 LANDSCAPE PLAN**  
1:100

**GENERAL LANDSCAPE NOTES**

- REFER TO TREE CONSERVATION REPORT FOR INFORMATION RELATED TO TREE REMOVAL / TREE PROTECTION DIRECTIONS. EXISTING VEGETATED AREAS ON ADJACENT PROPERTIES SHALL REMAIN AND BE PROTECTED BEFORE, DURING, AND AFTER CONSTRUCTION.
- REFER TO ENGINEERING DRAWINGS FOR PROPOSED GRADING, AND SITE SERVICING.
- EXISTING VEGETATED AREAS ON ADJACENT PROPERTIES SHALL REMAIN AND BE PROTECTED BEFORE, DURING, AND AFTER CONSTRUCTION.
- SOD SHALL BE KENTUCKY BLUEGRASS SOD INSTALLED OVER 135MM OF TOPSOIL. SOD SHALL BE INSTALLED WHERE INDICATED ON THE LANDSCAPE PLANS AND IN ALL DISTURBED AREAS. INSTALL SOD AS PER OPSS 803.
- SEED SHALL BE A LOW MAINTENANCE LAWN MIXTURE #7104 BY OSC SEEDS OR APPROVED EQUIVALENT. SEEDING SHALL BE INSTALLED MECHANICALLY WITH MULCH OVER 150MM OF TOPSOIL. SEED SHALL BE INSTALLED AS PER OPSS 804.
- CONTRACTOR TO LOCATE AND STAKE ALL UTILITIES PRIOR TO ANY WORK ON THE SITE AND TO OBTAIN CLEARANCE FROM ALL APPLICABLE UTILITIES. DO NOT PLANT DIRECTLY ABOVE UNDERGROUND UTILITIES. REPORT CONFLICTS AND ANY DISCREPANCIES TO THE LANDSCAPE ARCHITECT FOR DIRECTION.
- NO TREES SHALL BE PLANTED ON PROPERTY / LOT LINES OR WITHIN DRAINAGE EASEMENTS.
- NO TREES SHALL BE PLANTED UNDER OVERHEAD WIRES.
- MAINTAIN A MINIMUM DISTANCE OF 1500mm FROM ALL UNDERGROUND UTILITIES.
- MAINTAIN A MINIMUM DISTANCE OF 4500mm FROM ALL BUILDINGS.
- MAINTAIN A MINIMUM DISTANCE OF 4000mm FROM ALL HYDRO TRANSFORMERS.
- MAINTAIN A MINIMUM OF 1000mm FROM SIDEWALKS, PATHWAYS, AND DRIVEWAYS.
- THE LANDSCAPE ARCHITECT MAY ADJUST THE LOCATION OF PLANTING PRIOR TO PLANTING TO MINIMIZE CONFLICTS WITH UTILITIES, DRIVEWAYS AND INTERSECTION VISIBILITY.
- CONTRACTOR SHALL SUPPLY ALL MATERIALS IN QUANTITIES SUFFICIENT TO COMPLETE WORK SHOWN ON THESE DRAWINGS. ANY DISCREPANCIES SHALL BE REPORTED TO THE LANDSCAPE ARCHITECT FOR DIRECTION.
- DO NOT MAKE SUBSTITUTIONS OF MATERIALS, PRODUCTS OR QUANTITIES WITHOUT PRIOR WRITTEN PERMISSION OF THE LANDSCAPE ARCHITECT.
- PLANT MATERIAL QUALITY STANDARDS:
- ALL PLANT MATERIAL TO CONFORM TO THE CANADIAN NURSERY TRADES ASSOCIATION AND THE CANADIAN STANDARDS FOR NURSERY STOCK AS TO SPECIES, SIZE AND CONDITION.
- PLANT MATERIAL COLLECTED FROM WILD SOURCES ARE NOT ACCEPTABLE.
- THE LANDSCAPE ARCHITECT RESERVES THE RIGHT TO REFUSE ACCEPTANCE OF ANY PLANT DISPLAYING POOR GROWTH HABITS APPROPRIATE TO SPECIES, DISEASE OR DAMAGE FROM POOR HANDLING DURING TRANSPORT ON SITE STORAGE, INSTALLATION OR MAINTENANCE.
- ANY PLANTS THAT DO NOT CONFORM TO THESE STANDARDS WILL BE PROMPTLY REMOVED FROM THE SITE BY THE CONTRACTOR AND REPLACED WITH MATERIAL OF ACCEPTABLE QUALITY AT NO ADDITIONAL COST TO THE PROJECT.
- THE CONTRACTOR TO MAKE GOOD TO THE SATISFACTION OF THE LANDSCAPE ARCHITECT ANY AREAS DAMAGED BY THE WORK.
- PRUNING - TO SUIT SPECIES - PRUNE BRANCHES BY 1/3 TO REMOVE DAMAGED OR OBJECTIONABLE BRANCHES FOLLOWING PROPER HORTICULTURAL PRACTICE. DO NOT PRUNE LEADERS.
- UPON THE COMPLETION OF WORK EACH DAY, REMOVE ALL DEBRIS, GARBAGE AND SURPLUS MATERIALS FROM THE SITE. KEEP THE SITE CLEAN AND USEABLE AT ALL TIMES.
- ALL WORKMANSHIP AND MATERIALS (INCLUDING PLANTS) TO BE GUARANTEED FOR ONE FULL YEAR FOLLOWING FINAL ACCEPTANCE OF THE PROJECT BY THE LANDSCAPE ARCHITECT.
- THE CONTRACTOR SHALL REMOVE ALL TREE STAKES AND TREE SUPPORTS PRIOR TO ASSUMPTION BY THE OWNER.
- AT THE TIME OF INSPECTION FOR ACCEPTANCE ALL TREE PITS SHALL BE CULTIVATED, FREE OF WEEDS, LEAVES, BROKEN BRANCHES AND DEBRIS.

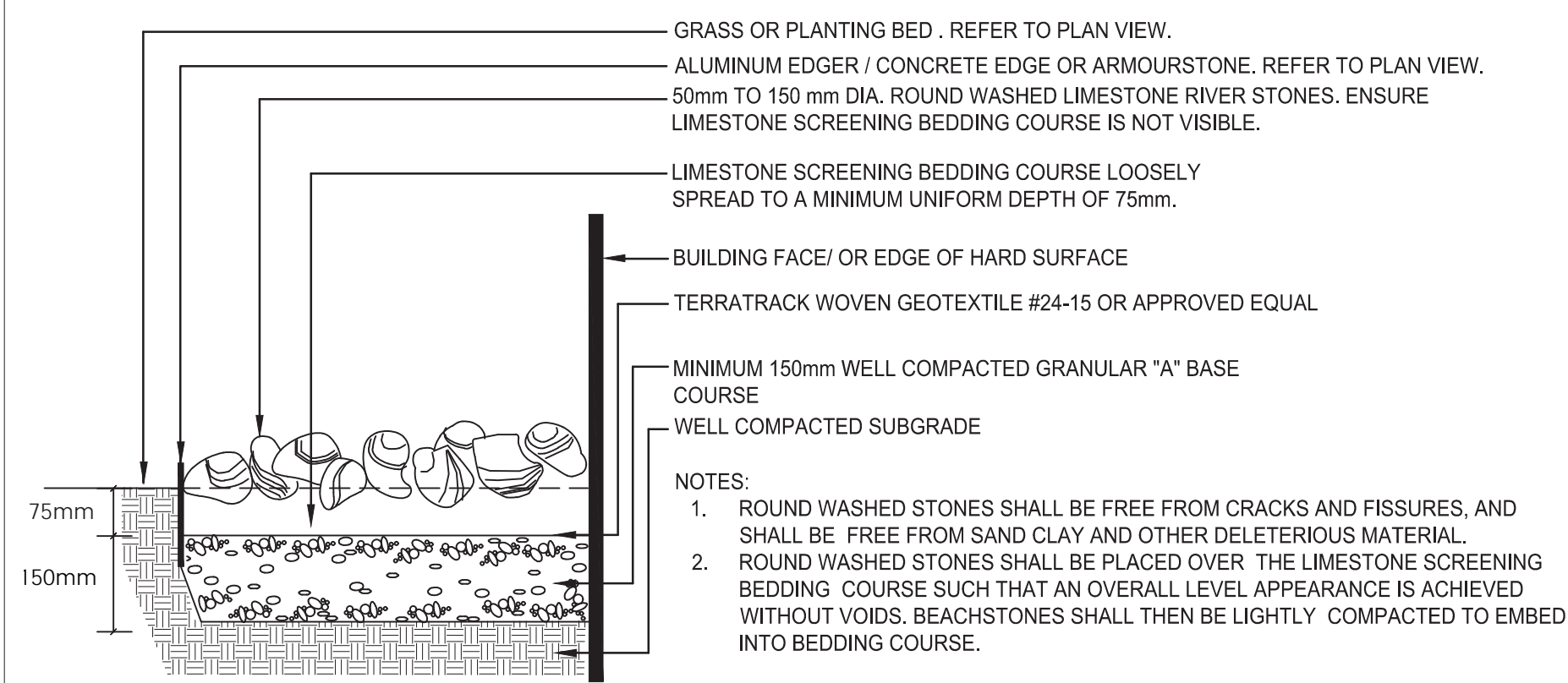
W:\projects\160401782\Design\Drawings\160401782\_LB.dwg  
2024/06/18 11:54 AM by: A.Men. Tommy

Legend



**1 DECIDUOUS TREE PLANTING**

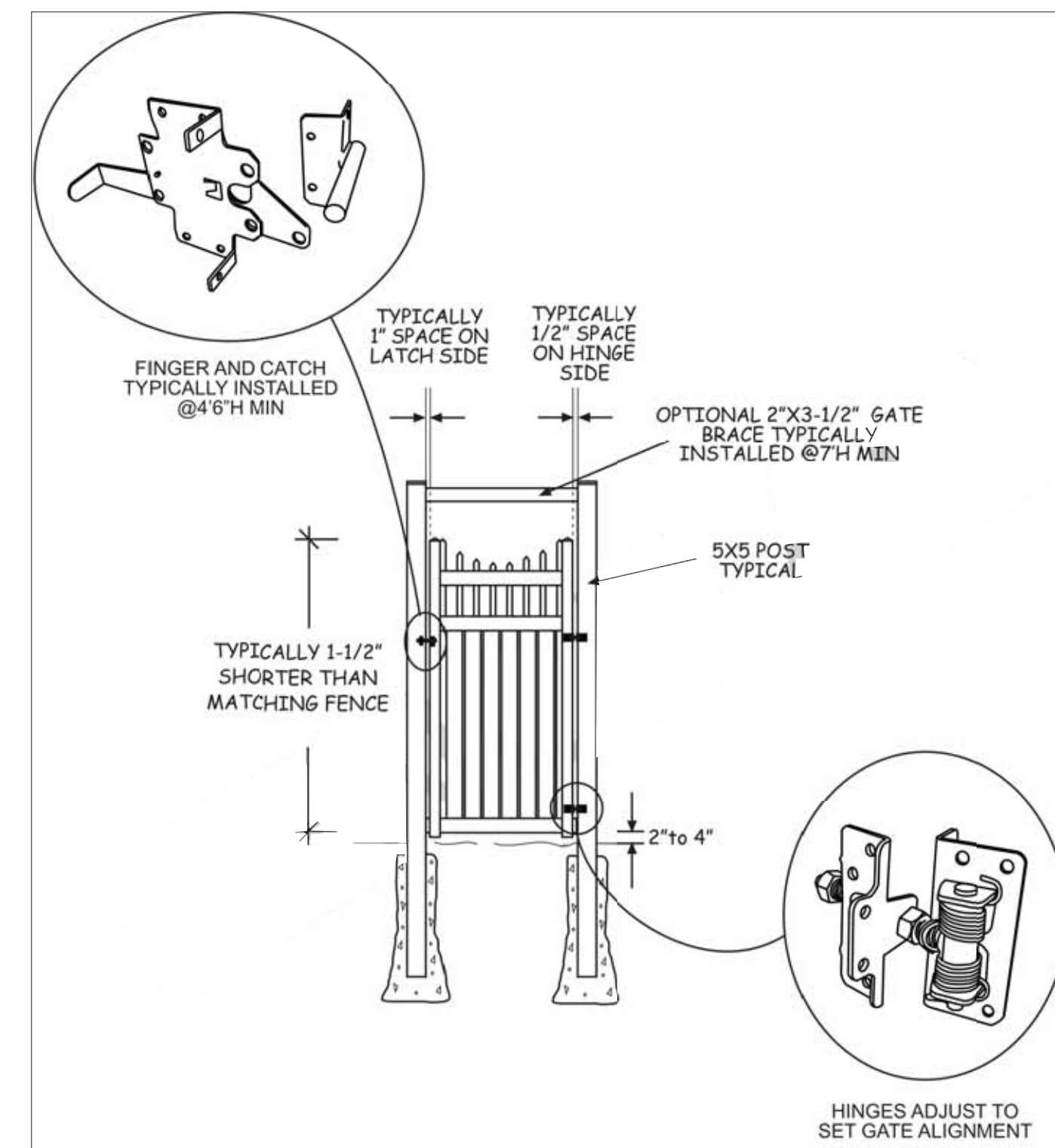
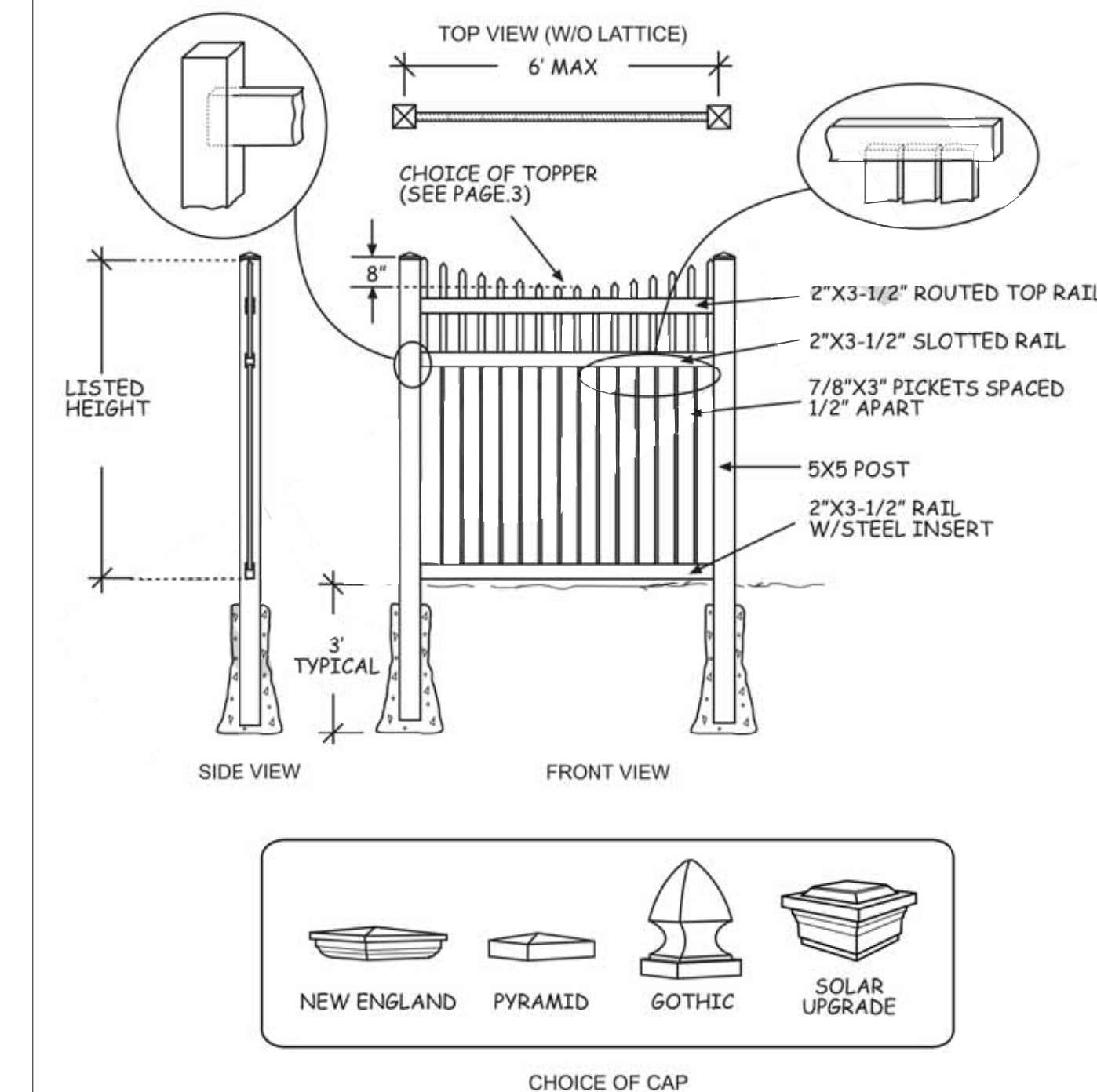
N.T.S.



**4 RIVERWASHED STONES**

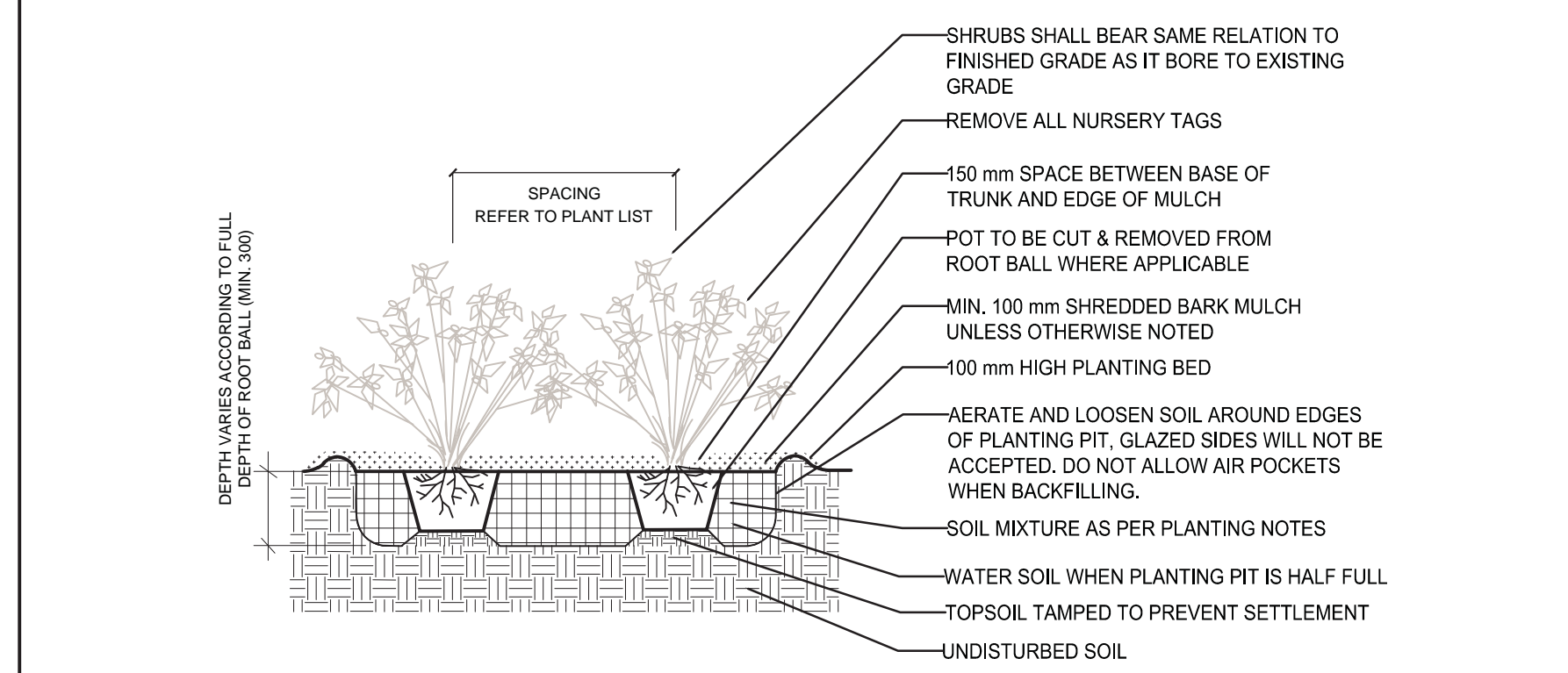
1:10

**Innes Vinyl/PVC**



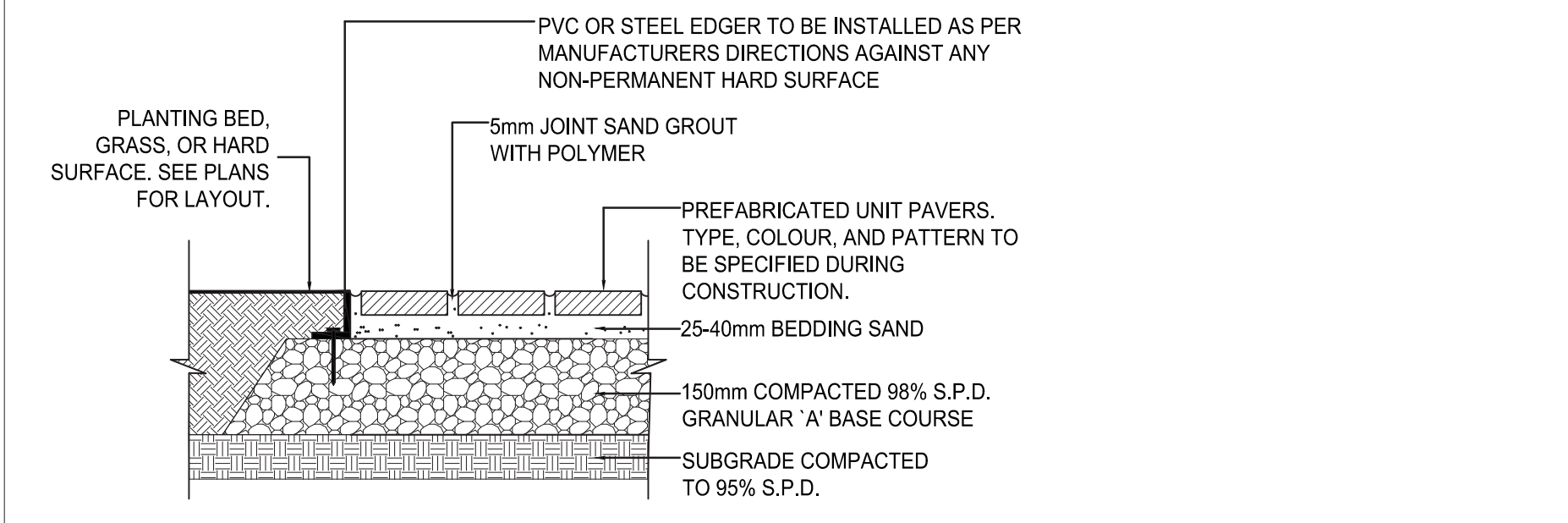
**7 FENCE**

N.T.S.



**2 SHRUB PLANTING**

N.T.S.

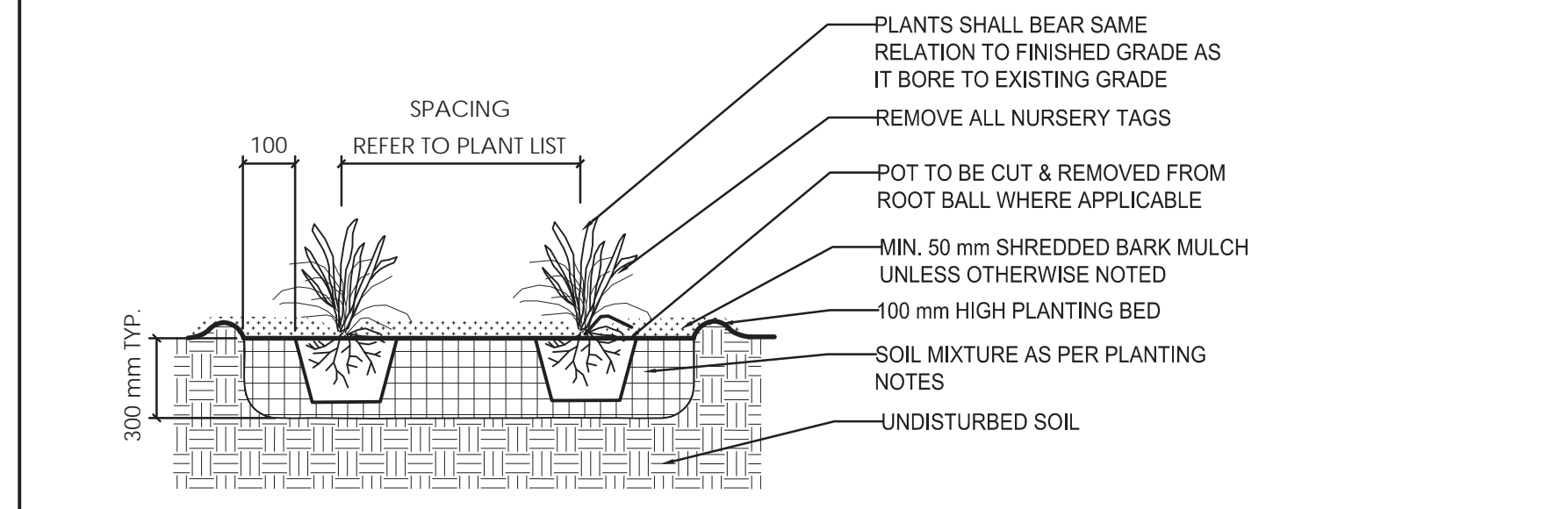


**5 UNIT PAVING DETAIL**

1:10

**PAVING NOTES**

- UNIT PAVER TYPE 1 TO BE (OR APPROVED SIMILAR):
  - VILLAGIO FROM TECO-BLOC
  - COLOR: CHAMPLAIN GREY
  - LAYOUT: LINEAR - PARALLEL TO BUILDING
- UNIT PAVER TYPE 2 TO BE (OR APPROVED SIMILAR):
  - VILLAGIO FROM TECO-BLOC
  - COLOR: ONYX BLACK
  - LAYOUT: LINEAR - SOLDIER COURSE - PERPENDICULAR TO PAVER UNIT 1.
- BEDDING SAND SHALL BE MANUFACTURED SAND FOR BEDDING. IT SHALL BE HARD, DURABLE, CRUSHED STONE PARTICLES, CONFORMING TO GRADATION OF CONCRETE SAND AS SPECIFIED IN CSA A23.1 DO NOT USE LIMESTONE SCREENING, STONE DUST OR JOINT SAND FOR BEDDING SAND.
- JOINT SAND SHALL BE HARD, DURABLE ANGULAR PARTICLES, FREE FROM CLAY LUMPS, CEMENTATION, ORGANIC MATERIAL, FROZEN MATERIAL AND OTHER DELETERIOUS MATERIALS. JOINT SAND SHALL FILL SPACES BETWEEN PAVERS.
- PASS MECHANICAL PLATE VIBRATOR OVER UNIT PAVING TO ACHIEVE COMPACTION OF SAND IN JOINTS. ENSURE JOINTS ARE FULL AT COMPLETION OF COMPACTION.
- SURFACE OF FINISHED PAVEMENT SHALL BE FREE FROM DEPRESSIONS EXCEEDING 3MM AS MEASURED WITH 3M STRAIGHT EDGE.
- ALL MEASUREMENTS ARE IN MILLIMETERS UNLESS STATED OTHERWISE.



**3 PERENNIAL AND GRASSES PLANTING**

N.T.S.

**PLANTING NOTES**

- THE DETAILS ON THIS SHEET DO NOT REPRESENT ANY PARTICULAR SPECIES.
- TREES AND SHRUBS AS INDICATED IN THE DETAILS REPRESENT BOTH CONIFEROUS AND DECIDUOUS SPECIES.
- MATERIAL PLANTED IN GROUP SHALL BE SET IN CONTINUOUS PLANTING BEDS.
- CENTRE LINE OF SHRUBS SHALL NOT BE CLOSER THAN 2.4M FROM BUILDING FACE TO PROTECT BUILDING FOOTINGS AND INSULATION.
- PRUNING - TO SUIT SPECIES - PRUNE BRANCHES BY 1/3 TO REMOVE DAMAGED OR OBJECTIONABLE BRANCHES FOLLOWING PROPER HORTICULTURAL PRACTICE. DO NOT PRUNE LEADERS.
- FIRMLY COMPACT BACKFILLED PLANTING MIXTURE TO ELIMINATE AIR POCKETS OR PREVENT SETTLEMENT.
- PLANTING MATERIAL QUALITY STANDARDS:
  - ALL PLANT MATERIALS TO CONFORM TO THE CANADIAN NURSERY LANDSCAPE ASSOCIATION FOR VARIETY, SIZE AND CONDITION.
  - PLANT MATERIAL COLLECTED FROM WILD SOURCES WILL NOT BE ACCEPTED.
  - LANDSCAPE ARCHITECT RESERVES THE RIGHT TO REFUSE ACCEPTANCE OF ANY PLANT DISPLAYING POOR GROWTH HABITS, INJURY OR DISEASE.
- ANY PLANTS THAT DO NOT CONFORM TO THE ABOVE STANDARDS WILL BE PROMPTLY REMOVED FROM THE SITE BY THE CONTRACTOR AND REPLACED WITH MATERIAL OF ACCEPTABLE QUALITY AT NO ADDITIONAL COST TO THE PROJECT.
- TOPSOIL:
  - SOIL TEXTURE BASED ON THE CANADIAN SYSTEM OF SOIL CLASSIFICATION TO CONSIST OF:
    - CLAY: 14-20%
    - SILT: 0-35%
    - SAND: 45-70%
    - ORGANIC MATERIAL: 4-10%
    - PH: 6-8
  - SPREAD TOPSOIL TO FOLLOWING MINIMUM DEPTHS AFTER SETTLEMENTS UNLESS OTHERWISE NOTED ON DETAILS:
    - 300MM FOR PERENNIALS
    - 500MM FOR SHRUB BEDS
    - 1000MM FOR TREE PLANTING
- MULCH:
  - MULCH SHALL BE SHREDDED WOOD VARYING IN SIZE FROM 25-125MM IN LENGTH FROM CONIFEROUS TREES.

Revision	By	Appd.	YY.MM.DD
5	IA	KP	24.06.18
4	IA	KP	24.05.16
3	IA	KP	24.04.02
2	CA	KP	24.01.24
1	CA	KP	24.01.08

File Name:	CA	KP	KP	23.12.18
160401782_LB	Dwn.	Chkd.	Dgn.	YY.MM.DD

Permit-Seal



Client/Project  
**REZY PROPERTIES INC.**

CENTRETOWN  
283-285 McLEOD STREET  
OTTAWA, ON

Title  
**LANDSCAPE DETAILS & NOTES**

Project No.	Scale	
160401782	AS NOTED	
Drawing No.	Sheet	Revision