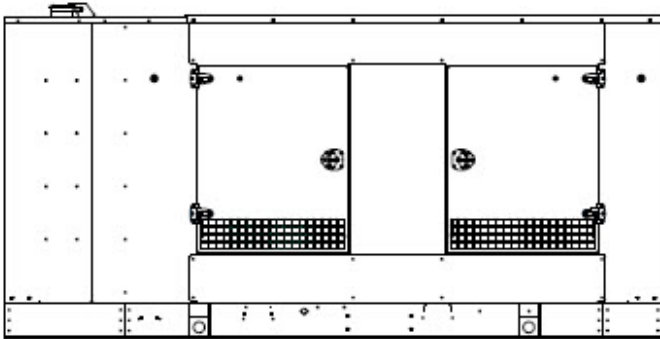


KOHLER®

Enclosure Specs & Drawings

KOHLER®

ISO 9001
KOHLER
POWER SYSTEMS
NATIONALLY REGISTERED

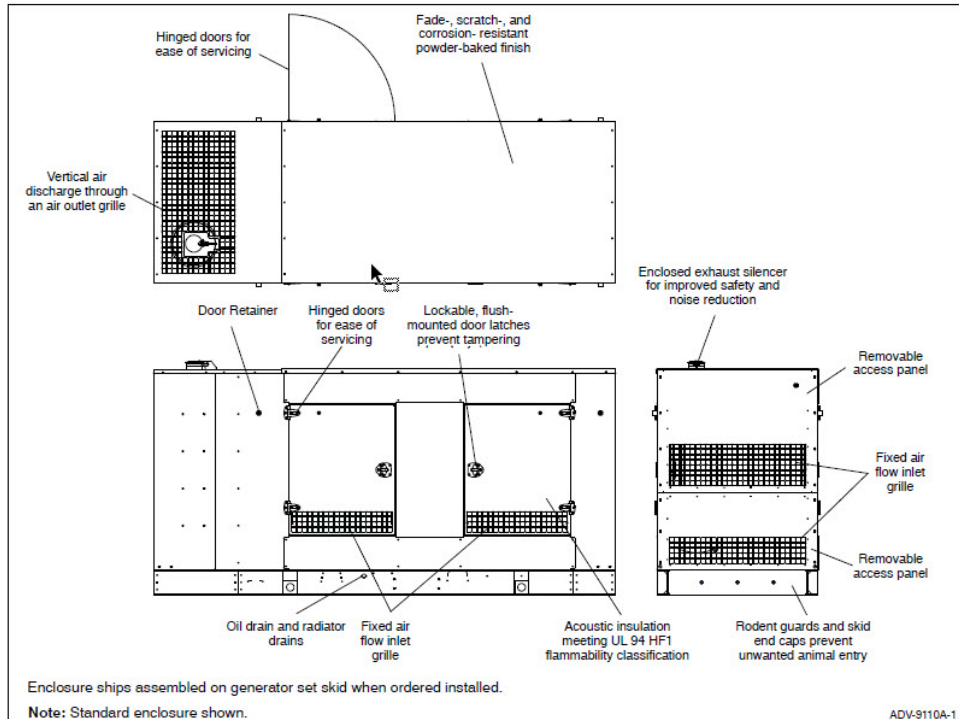


Standard Enclosure

Sound Enclosure Standard Features

- Internal-mounted critical silencer and flexible exhaust connector.
- Skid-mounted, steel construction with hinged doors. Steel enclosures are recommended for high humidity and or high salt/coastal regions.
- Fade-, scratch-, and corrosion-resistant Kohler® Power Armor automotive-grade textured finish.
- Enclosure has four access doors which allow for easy maintenance.
- Lockable, flush-mounted door latches.
- Vertical air inlet and outlet discharge to redirect air and reduce noise.
- Acoustic insulation that meets UL 94 HF1 flammability classification and repels moisture adsorption.
- Sound attenuated enclosure that uses up to 51 mm (2 in.) of acoustic-lined air discharge hood.
- Steel sound enclosure is analyzed to 150 mph (241 kph) wind load rating.

Standard Weather and Sound Enclosure



Sound Enclosure Features

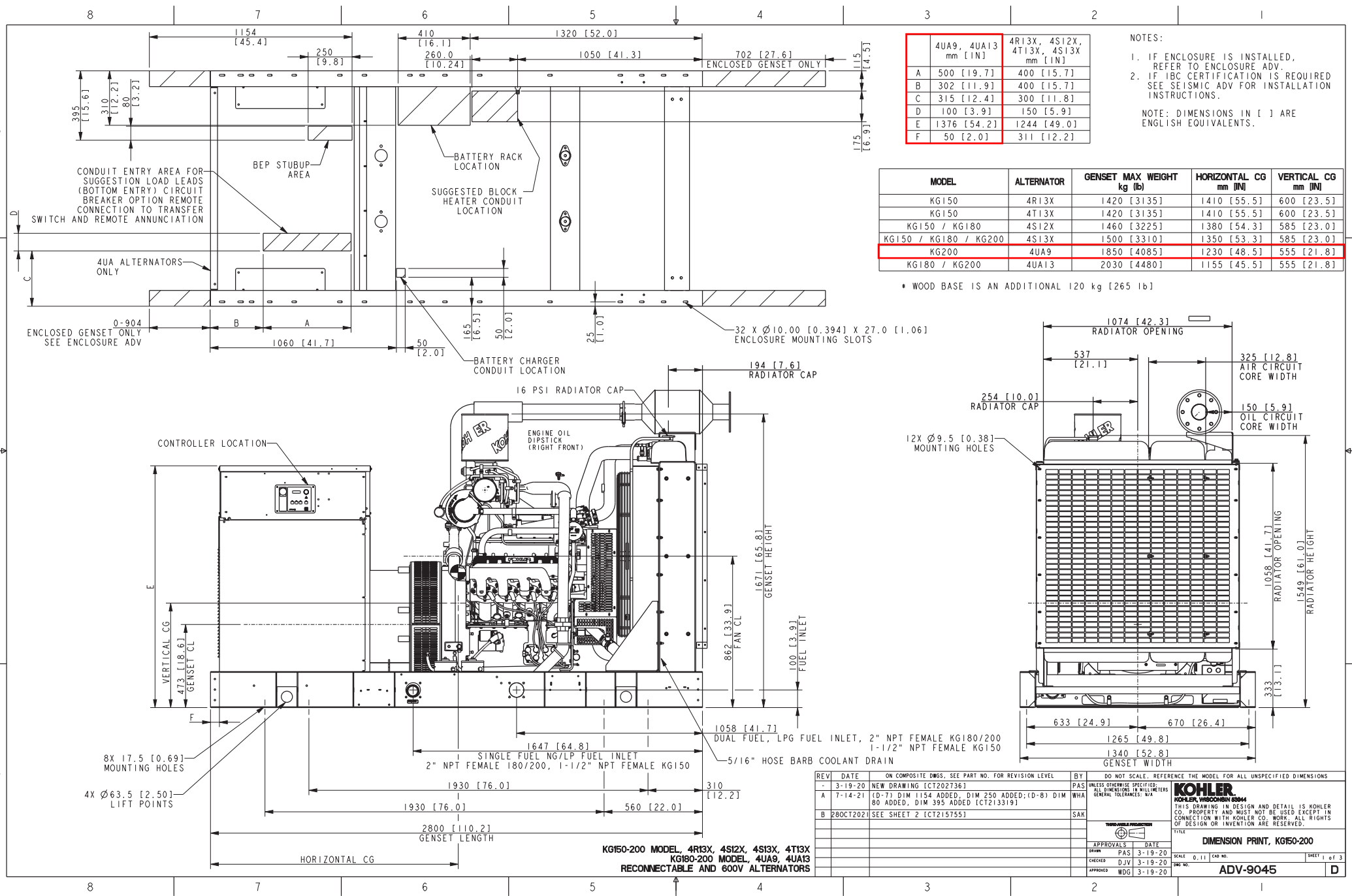
- Power Armor automotive-grade finish resulting in advanced corrosion and abrasion protection as well as enhanced edge coverage and color retention.
- Internal critical exhaust silencer offering maximum component life and operator safety.
- Interchangeable modular panel construction. Allows complete serviceability or replacement without compromising enclosure design.
- Cooling/combustion air intake with a horizontal air inlet. Sized for maximum cooling airflow.
- Service access. Multi-personnel doors for easy access to generator set control and servicing of the oil fill and battery.
- Sound-attenuating design. Mechanically restrained acoustic insulation UL 94 HF1 listed for flame resistance.
- Cooling air discharge. The sound enclosures include acoustic insulation with urethane film.

Fuel Tank Capacity, L (gal.)	Est. Fuel Supply Hours at 60 Hz with Full Load	Max. Length, mm (in.)	Max. Width, mm (in.)	Sound Pressure Level, dB(A)	Max. Height, mm (in.)	Weight, kg (lb.)
Lift base	0	3848 (151.5)	1340 (52.8)	72	1949 (76.7)	2698 (5952)

Note: Data in table is for reference only, refer to the respective ADV drawings for details.

Max. weight includes the generator set (wet) with largest alternator option, enclosure, and silencer.

Log average sound pressure level of 8 measured positions around perimeter of the unit at a distance of 7 m (23 ft). Refer to TIB-114 for details.



	4UA9, 4UA13 mm [IN]	4R13X, 4S12X, 4T13X, 4S13X mm [IN]
A	500 [19.7]	400 [15.7]
B	302 [11.9]	400 [15.7]
C	315 [12.4]	300 [11.8]
D	100 [3.9]	150 [5.9]
E	1376 [54.2]	1244 [49.0]
F	50 [2.0]	311 [12.2]

NOTES:

- IF ENCLOSURE IS INSTALLED, REFER TO ENCLOSURE ADV.
- IF IBC CERTIFICATION IS REQUIRED SEE SEISMIC ADV FOR INSTALLATION INSTRUCTIONS.

NOTE: DIMENSIONS [] ARE ENGLISH EQUIVALENTS.

MODEL	ALTERNATOR	GENSET MAX WEIGHT kg (lb)	HORIZONTAL CG mm [IN]	VERTICAL CG mm [IN]
KG150	4R13X	1420 [3135]	1410 [55.5]	600 [23.5]
KG150	4T13X	1420 [3135]	1410 [55.5]	600 [23.5]
KG150 / KG180	4S12X	1460 [3225]	1380 [54.3]	585 [23.0]
KG150 / KG180 / KG200	4S13X	1500 [3310]	1350 [53.3]	585 [23.0]
KG200	4UA9	1850 [4085]	1230 [48.5]	555 [21.8]
KG180 / KG200	4UA13	2030 [4480]	1155 [45.5]	555 [21.8]

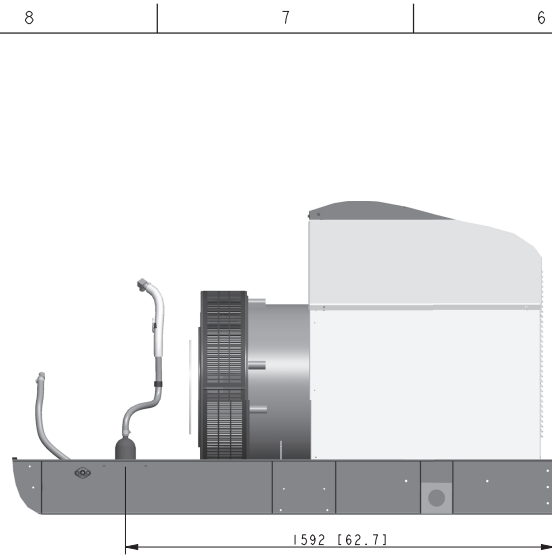
* WOOD BASE IS AN ADDITIONAL 120 kg [265 lb]

KG150-200 MODEL, 4R13X, 4S12X, 4S13X, 4T13X
 KG180-200 MODEL, 4UA9, 4UA13
 RECONNECTABLE AND 600V ALTERNATORS

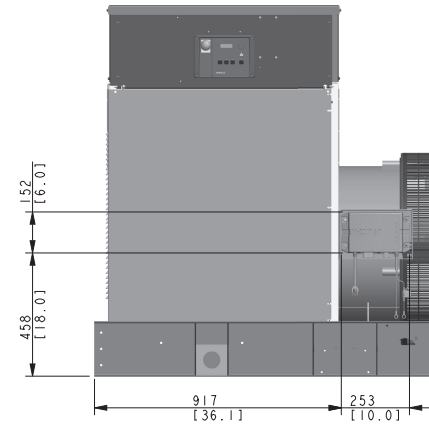
REV	DATE	ON COMPOSITE DWGS. SEE PART NO. FOR REVISION LEVEL	BY	DO NOT SCALE. REFERENCE THE MODEL FOR ALL UNSPECIFIED DIMENSIONS
-	3-19-20	NEW DRAWING [CT202736]	PAS	UNLESS OTHERWISE SPECIFIED: ALL DIMENSIONS IN MILLIMETERS GENERAL TOLERANCES: N/A
A	7-14-21	(D-7) DIM 1154 ADDED, DIM 250 ADDED; (D-8) DIM 80 ADDED, DIM 395 ADDED [CT213319]	MHA	
B	28OCT2021	SEE SHEET 2 [CT215755]	SAK	

APPROVALS	DATE	TITLE
DRIVE PAS	3-19-20	DIMENSIONAL PRINT, KG150-200
CHECKED DJV	3-19-20	
APPROVED WDG	3-19-20	

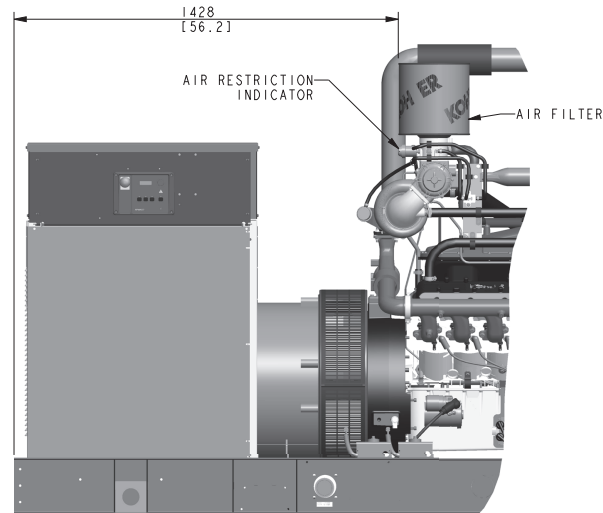
SCALE	0.11	CAD NO.	
DWG NO.	ADV-9045	SHEET	1 of 3



**BLOCK HEATER
(LEFT SIDE OF GENSET)**



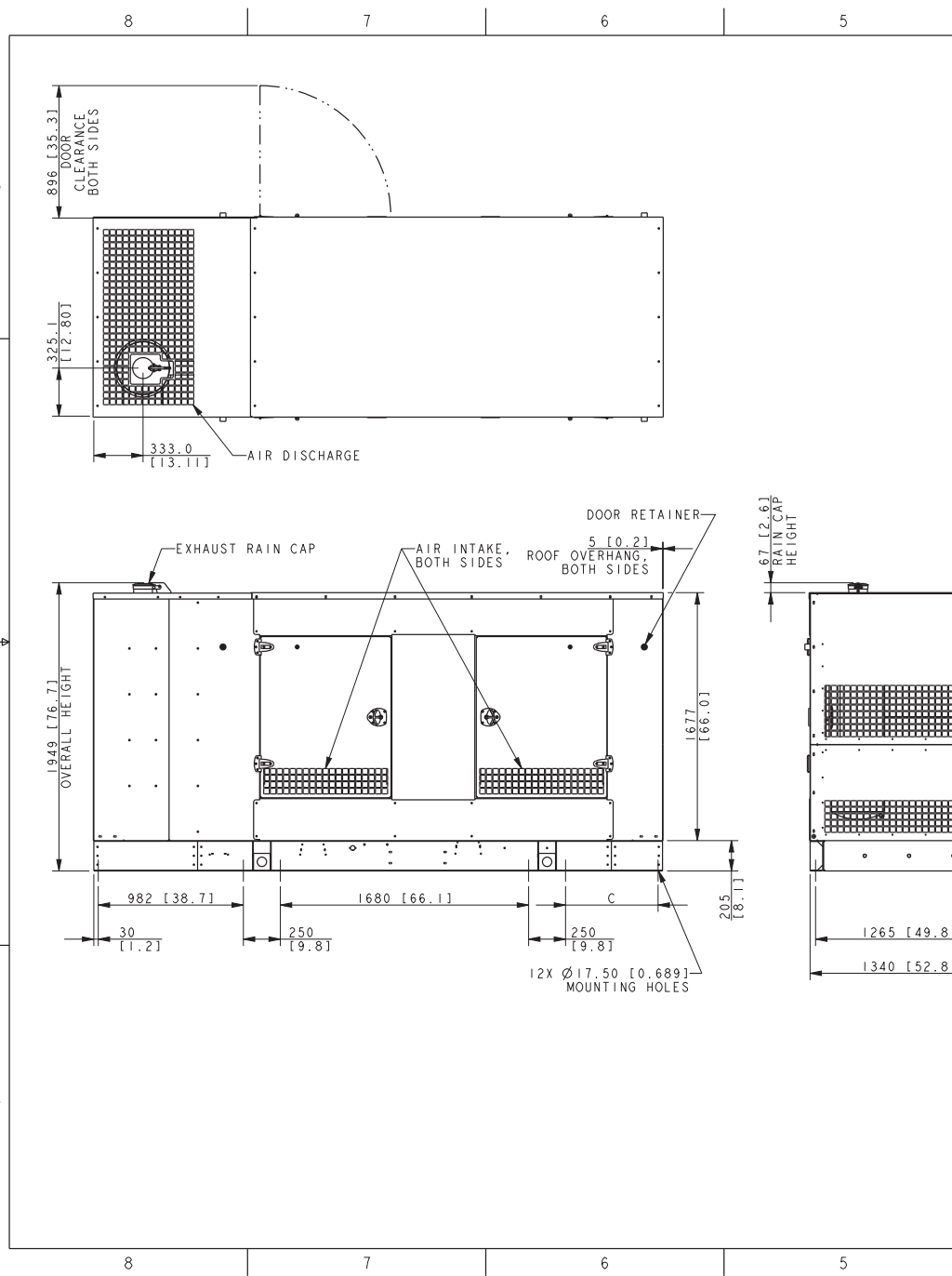
**BATTERY CHARGER
(RIGHT SIDE OF GENSET)**



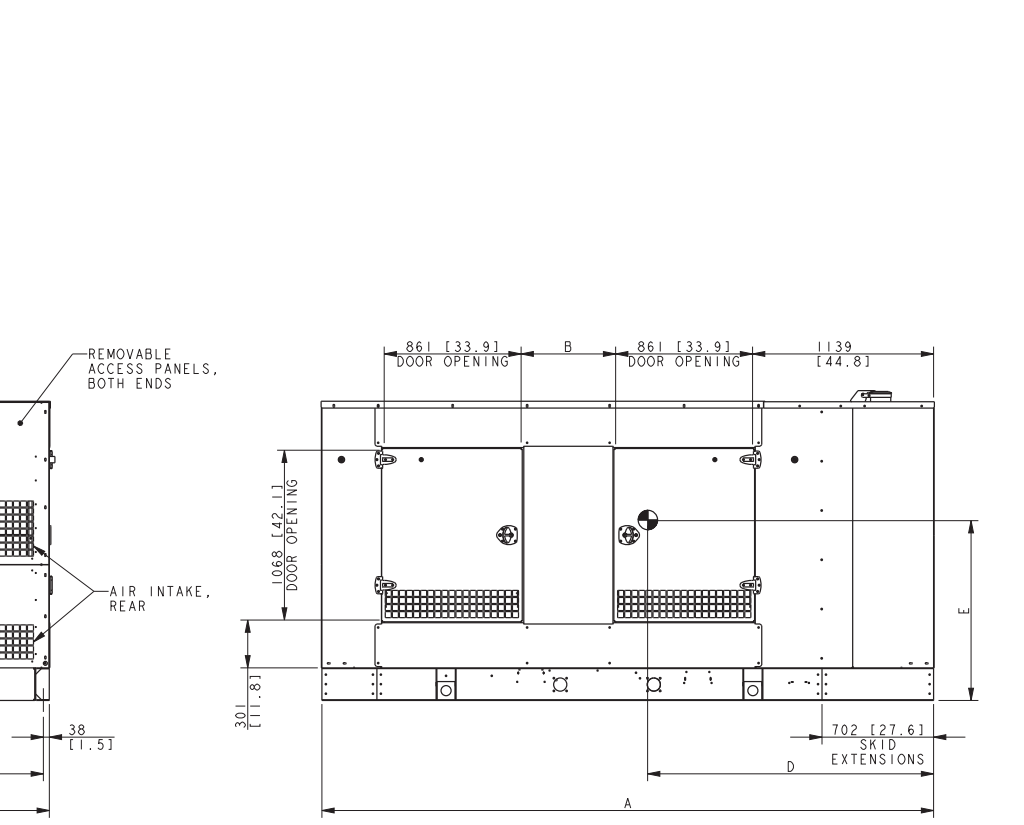
**STANDARD DUTY AIR CLEANER
(RIGHT SIDE OF GENSET)**

REV	DATE	ON COMPOSITE DWGS. SEE PART NO. FOR REVISION LEVEL	BY	DO NOT SCALE. REFERENCE THE MODEL FOR ALL UNSPECIFIED DIMENSIONS UNLESS OTHERWISE SPECIFIED. ALL DIMENSIONS IN MILLIMETERS GENERAL TOLERANCES: N/A
-	3-19-20	NEW DRAWING [CT202736]	PAS	KOHLER KOHLER WISCONSIN USA THIS DRAWING IN DESIGN AND DETAIL IS KOHLER CO. PROPERTY AND MUST NOT BE USED EXCEPT IN CONNECTION WITH KOHLER CO. WORK. ALL RIGHTS OF DESIGN OR INVENTION ARE RESERVED.
A	7-14-21	SEE SHEET 1 [CT213319]	WHA	
B	28OCT2021	SEE SHEET 2 [CT215755]	SAK	

APPROVALS	DATE	TITLE
DRIVER PAS	3-19-20	DIMENSION PRINT, KG150-200 SCALE 0.11 CAD NO. SHEET 3 of 3 TAG NO. ADV-9045
CHECKED D JV	3-19-20	
APPROVED WDG	3-19-20	



ENCLOSURE INFORMATION							
NODE	MODEL	ENCLOSURE WEIGHT kg [lb]	LENGTH DIM A mm [in]	DOOR DIM B mm [in]	MOUNTING DIM C mm [in]	HOR CG DIM D mm [in]	VER CG DIM E mm [in]
150	STANDARD STEEL SOUND	632 [1393]	3502 [137.9]	335 [13.2]	NA	1593 [62.7]	1089 [42.9]
	STANDARD STEEL WEATHER	611 [1347]				1590 [62.6]	1082 [42.6]
	STANDARD ALUM SOUND	476 [1050]				1547 [60.9]	1045 [41.2]
180-200	STANDARD STEEL SOUND	668 [1472]	3848 [151.5]	595 [23.4]	626 [24.6]	1741 [68.5]	1100 [43.3]
	STANDARD STEEL WEATHER	645 [1422]				1743 [68.6]	1082 [42.6]
	STANDARD ALUM SOUND	607 [1339]				1793 [70.6]	1136 [44.7]



NOTE:
 IF IBC CERTIFICATION IS REQUIRED, SEE SEISMIC ADV FOR INSTALLATION INSTRUCTIONS
 DIMENSIONS [] ARE ENGLISH EQUIVALENTS

KG150 STANDARD
 KG180-200 STANDARD
 ENCLOSURES

REV	DATE	ON COMPOSITE DWGS. SEE PART NO. FOR REVISION LEVEL	BY	DO NOT SCALE. REFERENCE THE MODEL FOR ALL UNSPECIFIED DIMENSIONS
-	15NOV2019	NEW DRAWING [CT200025]	ZJS	UNLESS OTHERWISE SPECIFIED, ALL DIMENSIONS IN MILLIMETERS
A	07MAY2020	(D-1) REMOVED NON-PRODUCTION MODEL INFORMATION FROM TABLE [CT204048]	ZJS	GENERAL TOLERANCES: N/A
B	25JUL2020	SEE SHEET 2 [CT205576]	SSS	

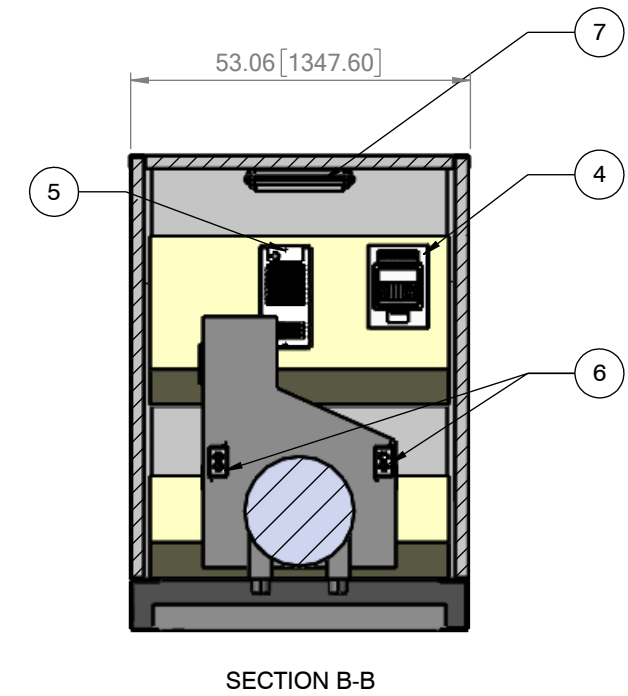
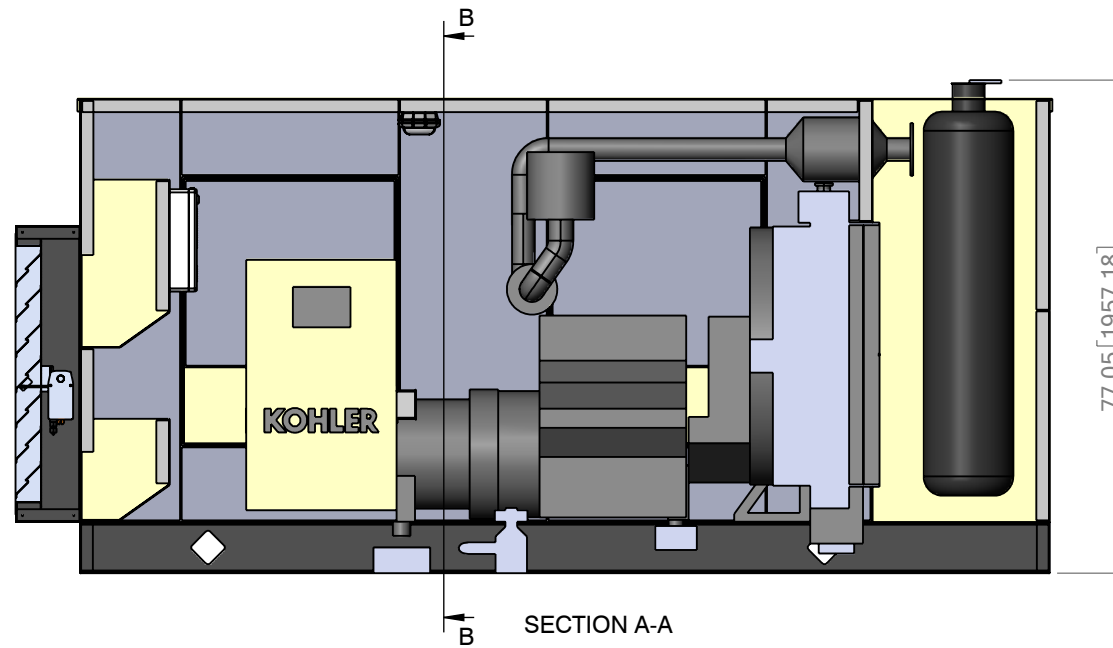
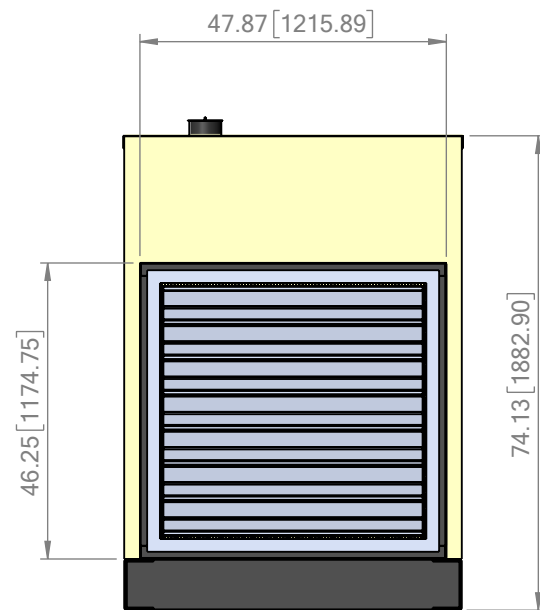
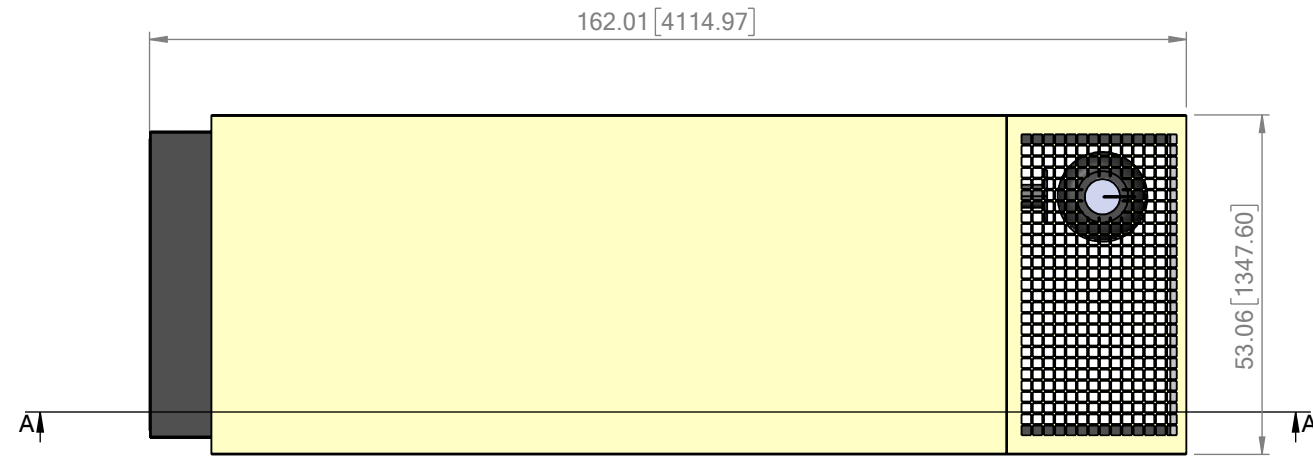
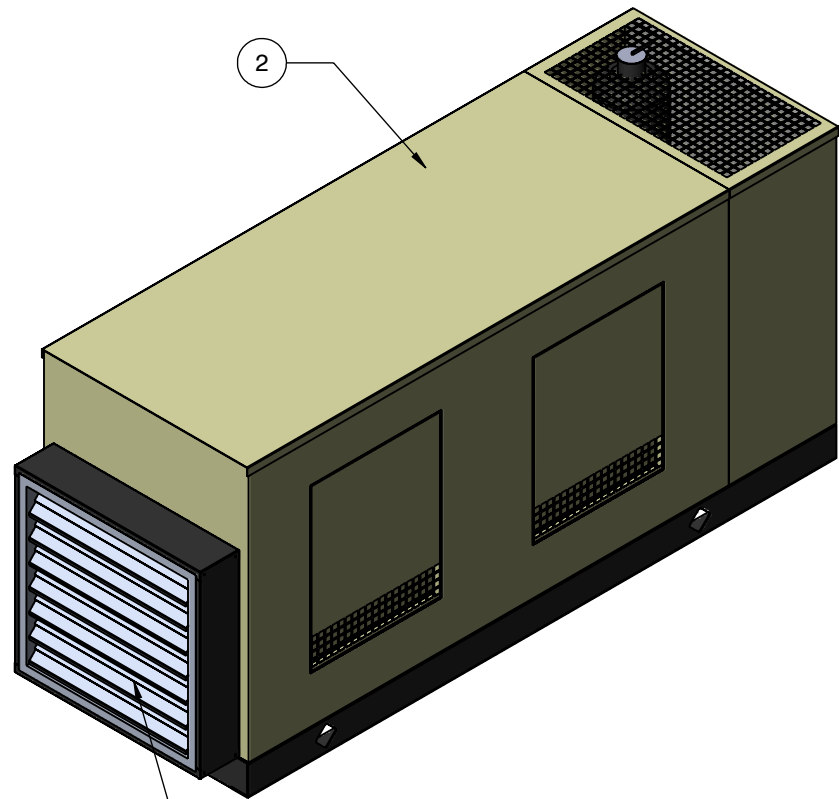
APPROVALS	DATE
DRIVER ZJS	15NOV2019
CHECKED KJB	15NOV2019
APPROVED JMP	15NOV2019

KOHLER KOHLER VIBROCORRUS 8384 THIS DRAWING IN DESIGN AND DETAIL IS KOHLER CO. PROPERTY AND MUST NOT BE USED EXCEPT IN CONNECTION WITH KOHLER CO. WORK. ALL RIGHTS OF DESIGN OR INVENTION ARE RESERVED.	
TITLE	DIMENSION PRINT, KG150-200 10.3L ENCL
SCALE	0.07 CAD NO.
DWG NO.	ADV-910

KOHLER®

Enclosure Accessories

ITEM NO.	PART NUMBER	DESCRIPTION	QTY.
1	48-46-10-OPLVR	48"W x 46"H x 10"D, Operable Louver	1
2	KG180-200	KG180-200, Steel-Sound Enclosure	1
4	100A-1PH-3W-4-8CR	120-240V, 1PH, 8 CIRCUIT, DISTRIBUTION PANEL	1
5	WALL-HTR	1500W, 120V, SPACE HEATER	1
6	15A-RCPTL-BOX	15A - RECEPTACLE BOX w/COVER	2
7	AC-DC-LED-CMBO	120VAC, Led light W/emergency back up	1



NOTES:
 -THIS UNIT IS DESIGNED TO SIT ON A FLAT CONCRETE PAD, +/- 1/8" LEVEL DEVIATION.
 -FOR MORE DETAILS ON ENCLOSURE, SEE ADV DRAWINGS & DATA SHEETS PROVIDED IN SUBMITTAL.

PROPRIETARY AND CONFIDENTIAL
 THE INFORMATION CONTAINED IN THIS DRAWING IS THE SOLE PROPERTY OF PRITCHARD POWER SYSTEMS ANY REPRODUCTION IN PART OR AS A WHOLE WITHOUT THE WRITTEN PERMISSION OF PRITCHARD POWER SYSTEMS IS PROHIBITED.

UNLESS OTHERWISE SPECIFIED:
 DIMENSIONS ARE IN INCHES & [MILLIMETERS]
 TOLERANCES: +/- 0.25" [6]
 FRACTIONAL ±
 ANGULAR: MACH ± BEND ±
 TWO PLACE DECIMAL ±
 THREE PLACE DECIMAL ±

INTERPRET GEOMETRIC TOLERANCING PER:
 MATERIAL
 FINISH
 DO NOT SCALE DRAWING

	NAME	DATE
DRAWN	A.M.	2023-03-22
CHECKED	L.C.	2023-03-22
ENG APPR.		
MFG APPR.		
Q.A.		

TITLE:
 AIR INTAKE, EXTENSION PANEL

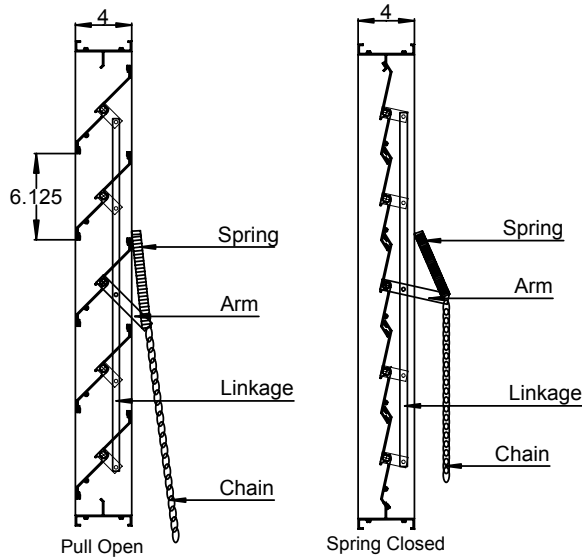


MISSISSAUGA, ONTARIO, CANADA

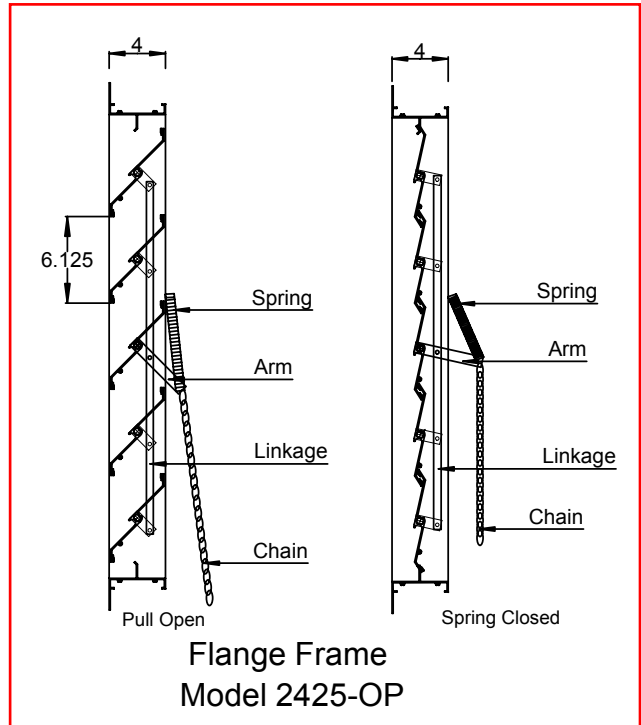
SIZE	DWG. NO.	REV
B	ADV-PPS-LVR-EXT-PNL	02

SCALE: N/A SHEET: 3 OF 3

2420-OP & 2425-OP 4 INCH DEEP EXTRUDED ALUMINIUM STORMPROOF OPERABLE LOUVER



Channel Frame
Model 2420-OP



Flange Frame
Model 2425-OP

STANDARD CONSTRUCTION:

- Depth:** 4 Inches (102 mm)
- Frame Thickness:** 0.081" 6063-T5 Extruded Aluminium
- Blade Thickness:** 0.081" 6063-T5 Extruded Aluminium
- Blade Centers:** 6 1/8 Inches (156 mm)
- Blade Angle:** 45 Degrees
- Minimum Height:** 16 Inches (406 mm)
- Maximum Panel Width:** 48 Inches (1219 mm)
- Maximum Panel Height:** 120 Inches (3048 mm)
- Standard Finish:** Mill
- Standard Birdscreen:** 1/2" x 1/2" Galvanized
- Standard Operation Method:** 6 ft. of Pull Chain
- Standard Seals:** Vinyl Blade Seal/Santoprene Jamb Seal
- Free Area of 48" x 48" Unit:** 6.83 sq. ft.

AVAILABLE ACCESSORIES/OPTIONS:

- Bird Screen:** 1/4 x 1/4 Inter-crimped Aluminium
1/2 x 1/2 Inter-crimped Aluminium
- Insect Screen:** 18 x 14 Mesh Aluminium
- Finish:** Powder Coat Paint: Colour # _____
Anodized Finish: _____
- Accessories:** Aluminium Blank Off Panel
1" or 2" Insulated Blank-Off Panel
Hand Crank Operator
Motor Operator
Extended Sills
Jack Shafting for operating multiple-sections with one motor
Side shaft for remote operation or for motors by others
Motor concealed in formed jamb (access from rear of louver)

*Louver will be manufactured 1/4" smaller than given opening dimensions unless otherwise specified.