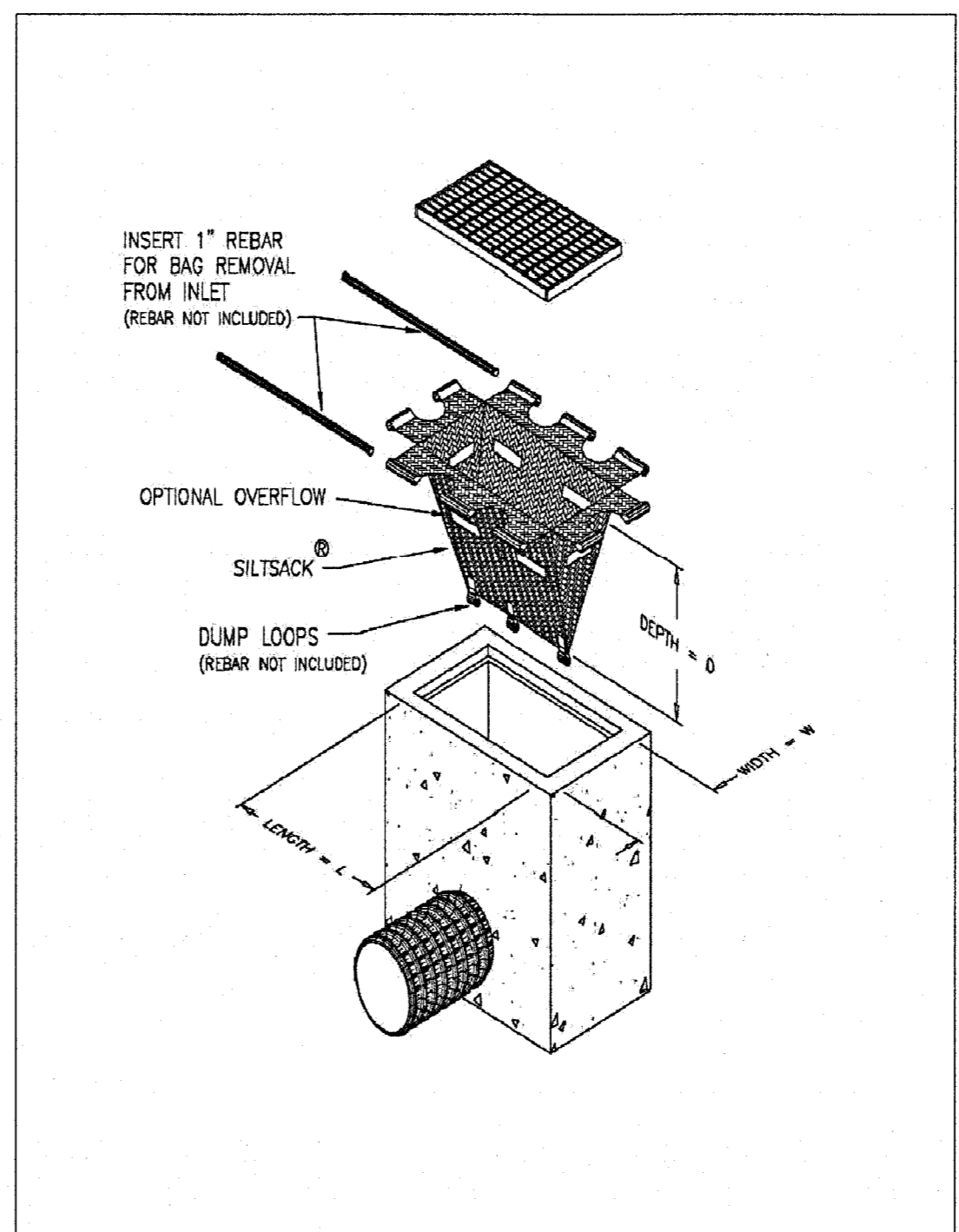
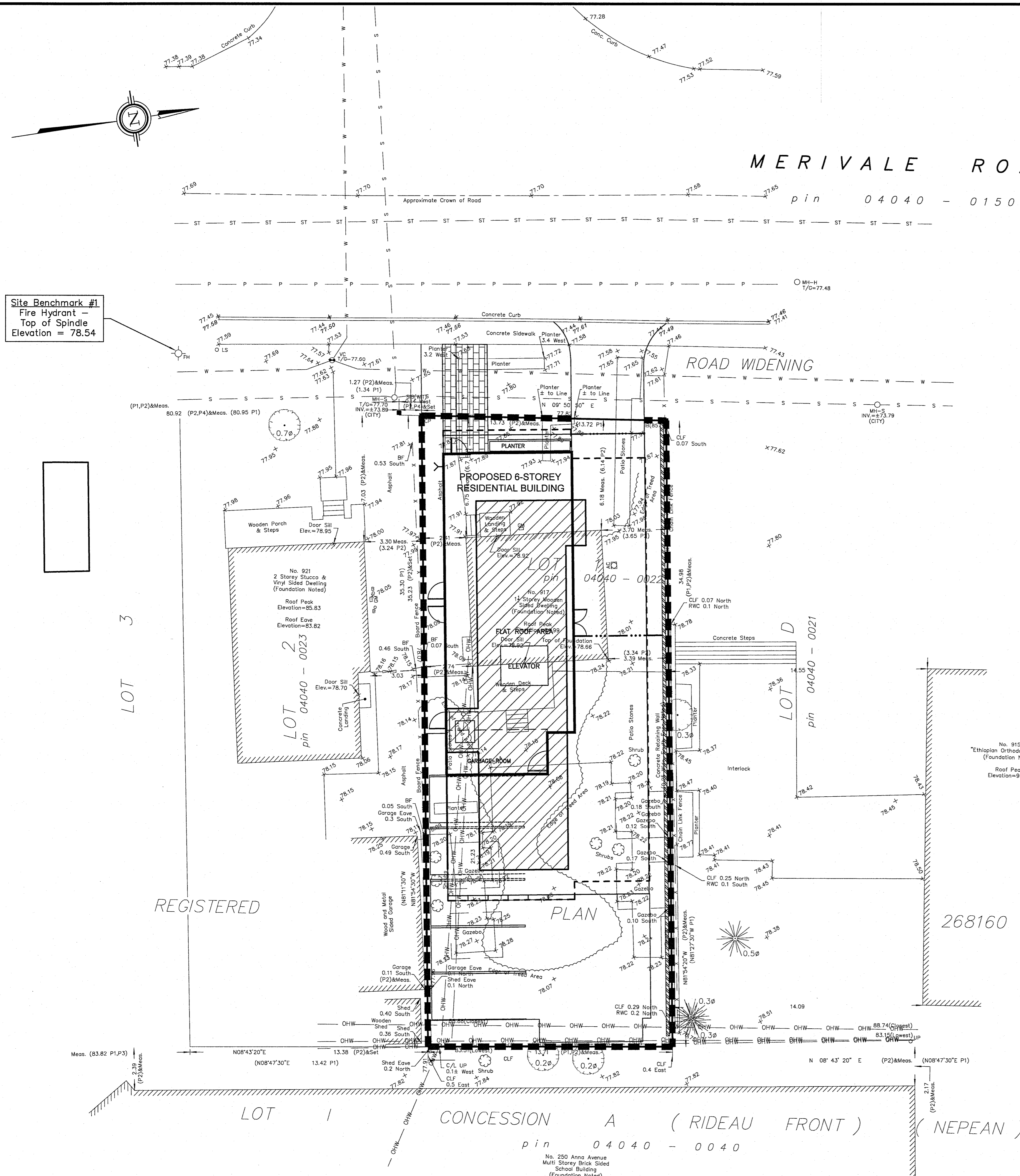


Site Benchmark #1
Fire Hydrant -
Top of Spindle
Elevation = 78.54

MERIVALE ROAD

pin 04040 - 0150



TYPICAL CATCH BASIN CONTROL DEVICE
N.T.S.

LEGEND

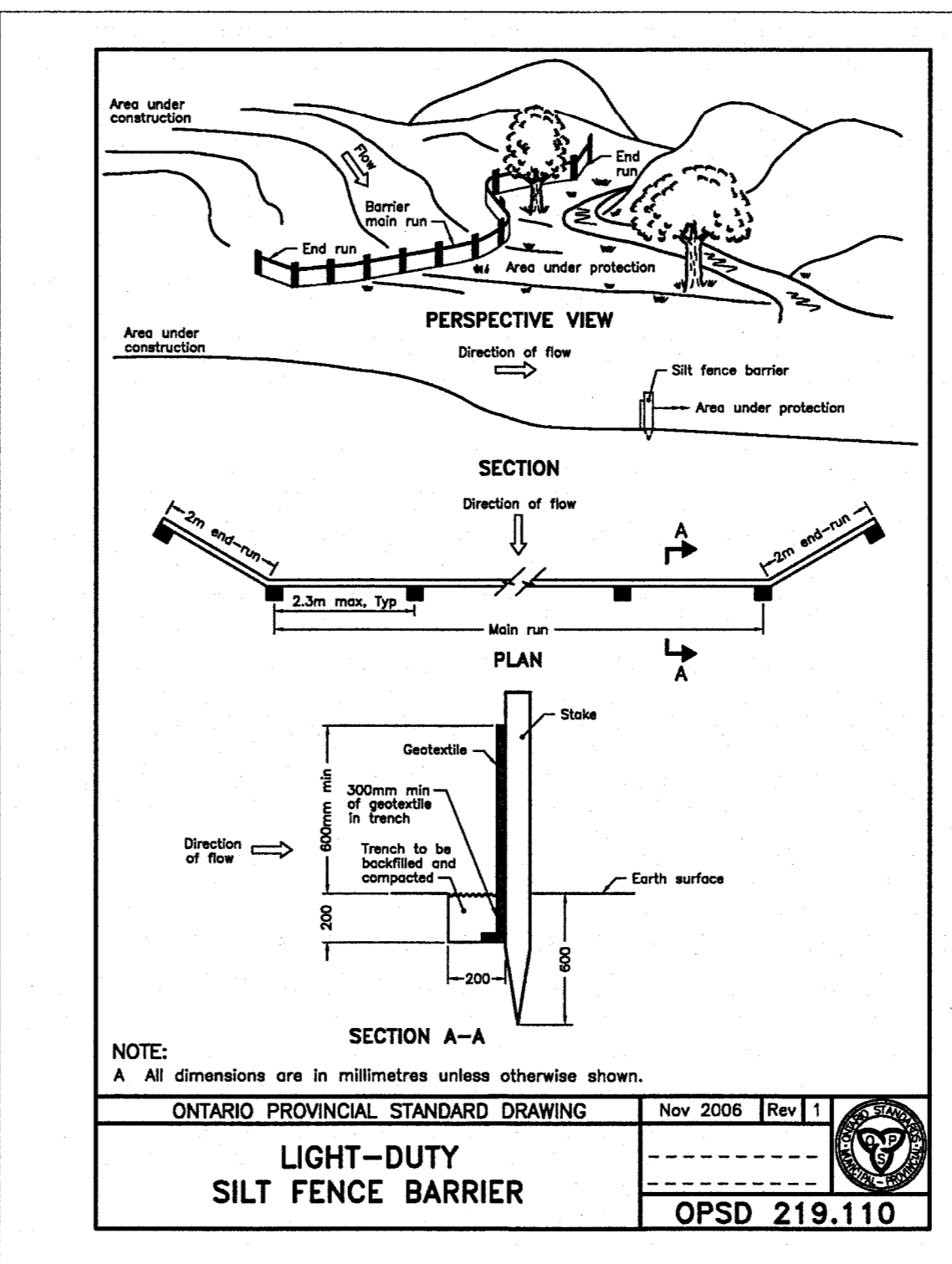
■■■■ SILT FENCE BARRIER LOCATION

EROSION AND SEDIMENT CONTROL NOTES

BEST MANAGEMENT PRACTICES

EROSION AND SEDIMENT CONTROLS (BEST MANAGEMENT PRACTICES) SHALL BE PROVIDED DURING CONSTRUCTION OF THIS PROJECT. EROSION MUST BE MINIMIZED AND SEDIMENTS MUST BE REMOVED FROM CONSTRUCTION SITE RUNOFF IN ORDER TO PROTECT DOWNSTREAM AREAS. DURING ALL CONSTRUCTION, EROSION AND SEDIMENTATION SHOULD BE CONTROLLED BY THE FOLLOWING TECHNIQUES:

1. MINIMIZE THE EXTENT OF EXPOSED SOILS.
2. MINIMIZE THE AREA TO BE CLEARED AND GRUBBED.
3. PROTECT EXPOSED SLOPES WITH PLASTIC OR SYNTHETIC MULCHES.
4. INSTALL "SILTSACK" CATCH BASIN SEDIMENT CONTROL DEVICE OR EQUAL IN CATCH BASINS ALONG MERIVALE ROAD ON-SITE AND OFF-SITE WITHIN THE ROAD RIGHT OF WAY ADJACENT TO THIS PROPERTY AS RECOMMENDED BY THE MANUFACTURER. SILTSACK SHALL BE INSPECTED EVERY 2 TO 3 WEEKS AND AFTER EVERY MAJOR STORM.
5. INSTALL SILT FENCES AROUND THE PERIMETER OF STOCKPILES OF TOPSOIL TO BE USED OR REMOVED FROM SITE. (LOCATION TO BE DETERMINED).
6. SEDIMENT CONTROL DEVICES SHALL BE INSPECTED EVERY 2 TO 3 WEEKS AND AFTER MAJOR STORMS AND CLEANED OF ANY ACCUMULATED SILT AS REQUIRED. THE DEPOSITS WILL BE DISPOSED OF AS PER THE REQUIREMENTS OF THE CONTRACT.
7. IN SOME CASES SOME FILTER BARRIERS MAY BE REMOVED TEMPORARILY TO ACCOMMODATE CONSTRUCTION OPERATIONS. THE AFFECTED BARRIERS WILL BE REINSTATED AT NIGHT WHEN CONSTRUCTION IS COMPLETED. REMOVAL SHALL NOT OCCUR IF RUNOFF OR RAINFALL IS PREDICTED UNLESS A NEW DEVICE HAS BEEN INSTALLED TO PROTECT THE EXISTING STORM AND SANITARY SEWER SYSTEMS.
8. NO REFUELING OR CLEANING OF EQUIPMENT IS PERMITTED NEAR ANY EXISTING WATERWAYS.
9. DURING THE CONSTRUCTION PERIOD, THE CONTRACTOR SHALL INSPECT, MAINTAIN AND REMOVE THE CONTROL MEASURES.
10. THIS PROPOSED EROSION AND SEDIMENT CONTROL PLAN IS CONSIDERED BY (RVCA) A LIVING DOCUMENT WHICH MAY BE MODIFIED IN THE EVENT THE CONTROL MEASURES ARE INSUFFICIENT.
11. CONTRACTOR IS RESPONSIBLE TO KEEP THE ROADS FREE AND CLEAN FROM MUD AND DEBRIS DURING THE CONSTRUCTION PERIOD.



ONTARIO PROVINCIAL STANDARD DRAWING
LIGHT-DUTY
SILT FENCE BARRIER
OPSD 219.110

File No: D07-12-24-0067

No.	REVISION	DATE	BY
1	ISSUED FOR SITE PLAN APPLICATION - 2ND SUBMISSION	11/05/24	TLM



SCALE	DESIGN	T.L.M.
0 1.25m 3.75m 6.25m	CHECKED	T.L.M.
1:125 HORIZONTAL	DRAWN BY	P.M.
VERTICAL	CHECKED	T.L.M.
	APPROVED	T.L.M.

PROJECT	737 MERIVALE ROAD LOT 1 REGISTERED PLAN 268160 CITY OF OTTAWA
DRAWING TITLE	PROPOSED EROSION AND SEDIMENT CONTROL PLAN

PROJECT No.	DATE	DRAWING No.
823-102	JULY 2024	ESC-1

T.L. MAK ENGINEERING CONSULTANTS LTD.
CONSULTING ENGINEERS