

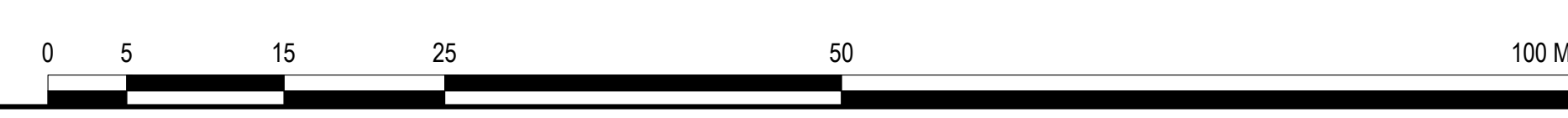
- LEGEND:**
- ASPHALT PAVING
  - PEDESTRIAN UNIT PAVING
  - HEAVY DUTY UNIT PAVING
  - RAISED PLANTER WALLS
  - ARMOR STONE RETAINING WALL
  - TWSI TYPE 1: DIRECTIONAL SIDEWALK
  - TWSI TYPE 2: ATTENTION
  - PRECAST CONCRETE STEPS
  - LIGHT COLUMN (PRELIMINARY LOCATION)
  - BOLLARDS
  - WOODEN BENCHES
  - BIKE RACKS
  - WASTE RECEPTACLE
  - LARGE DECIDUOUS TREE PLANTING
  - SMALL DECIDUOUS TREE PLANTING
  - CONIFEROUS TREE PLANTING
  - SHRUB / PERENNIAL PLANTING
  - EXISTING TREE TO REMAIN
  - EXISTING TREE OUTSIDE THE PROJECT BOUNDARY (APPROX. LOCATION)
- 66.75 PROPOSED SPOT ELEVATION

GENERAL NOTE: SOME EXISTING SITE FURNITURE SUCH AS BENCHES, BICYCLE RINGS AND WASTE RECEPTACLES MAY BE RE-USED DEPENDING ON CONDITION AT START OF WORKS

OPTION 2 STAGE LOCATION (SAM 575 STAGE SIZE SHOWN) (BIKE PARKING MOVED NEARER TO EC ENTRANCE AND LANDSCAPE ADJUSTED), SUBJECT TO SIZE AND LOCATION CONFIRMATION

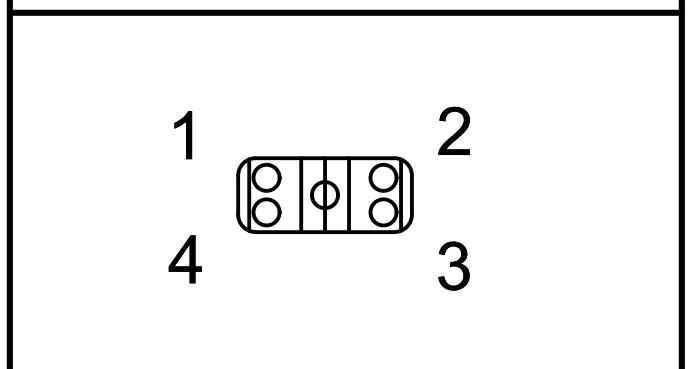
RECOMMENDED LOCATION FOR EVENT WATER SUPPLY

OPTION 1 STAGE LOCATION (SAM 575 STAGE SIZE SHOWN)



NO.	DESCRIPTION	DATE
3	ISSUED FOR SPA	7 AUG. 2024
2	ISSUED FOR CO-ORDINATION	28 JUNE 2024
1.1	ISSUED FOR PRE-CONSULTATION	31 MAY 2024

**REVISIONS/ ISSUES**  
CONTRACTOR SHALL CHECK AND VERIFY ALL DIMENSIONS AND REPORT ANY OMISSIONS OR DISCREPANCIES TO THE ARCHITECT BEFORE PROCEEDING WITH THE WORK. DO NOT SCALE THE DRAWINGS



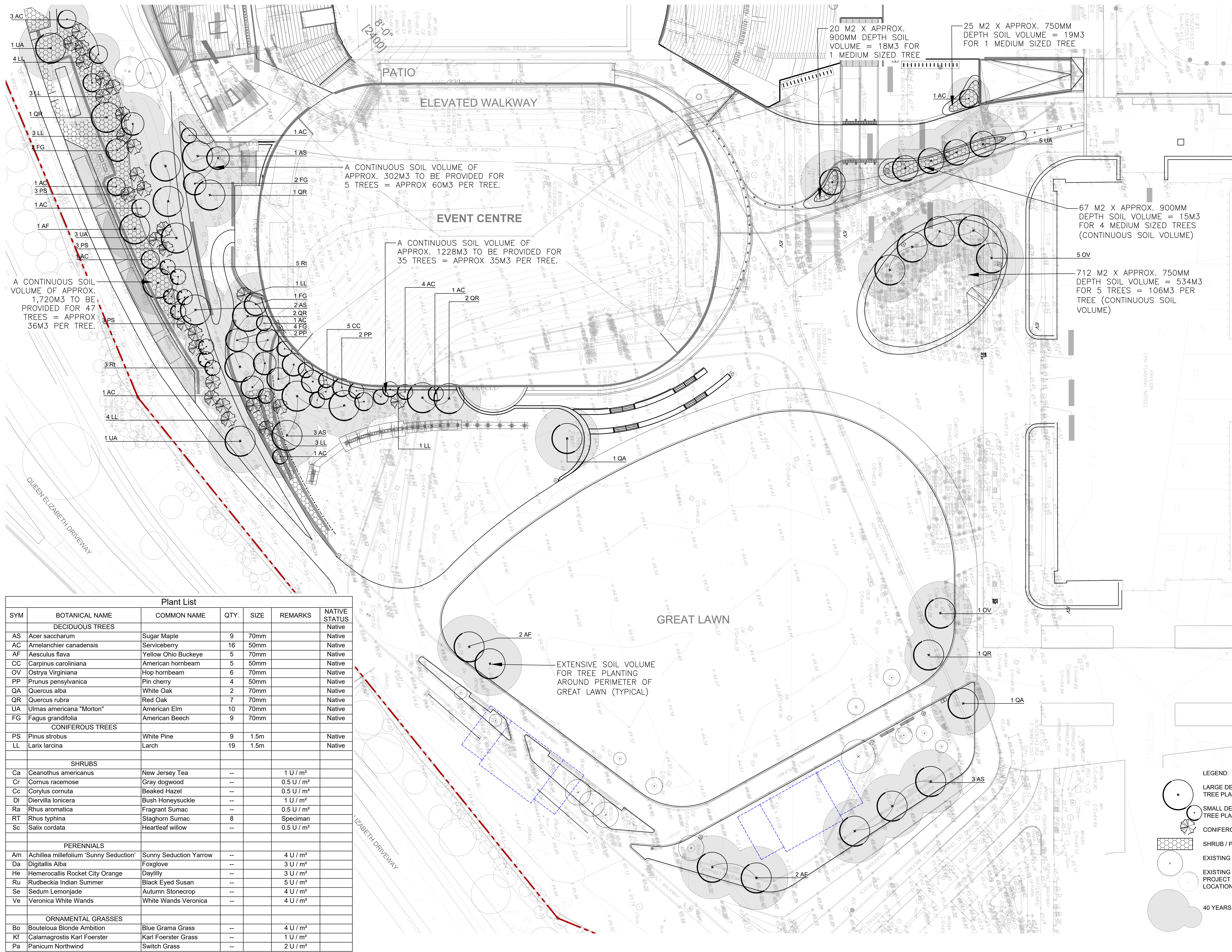
© 2024 CSW Landscape Architects Limited. All rights Reserved.

DRAWN	SE/JA
DATE	MAY 2024
CHECKED	JC/CM

**LANSDOWNE  
EVENT CENTRE**

DWG. TITLE  
**LANDSCAPE LAYOUT PLAN**

SCALE	1 : 400	DWG. NO.	L1.0
PROJ. NO.	CSW #1766-12		



Plant List

SYM	BOTANICAL NAME	COMMON NAME	QTY.	SIZE	REMARKS	NATIVE STATUS
<b>DECIDUOUS TREES</b>						
AS	<i>Acer saccharum</i>	Sugar Maple	9	70mm		Native
AC	<i>Amelanchier canadensis</i>	Serviceberry	16	50mm		Native
AF	<i>Aesculus flava</i>	Yellow Ohio Buckeye	5	70mm		Native
CC	<i>Carpinus caroliniana</i>	American hornbeam	5	50mm		Native
OV	<i>Ostrya virginiana</i>	Hop hornbeam	6	70mm		Native
PP	<i>Prunus pensylvanica</i>	Pin cherry	4	50mm		Native
QA	<i>Quercus alba</i>	White Oak	2	70mm		Native
QR	<i>Quercus rubra</i>	Red Oak	7	70mm		Native
UA	<i>Ulmus americana "Morton"</i>	American Elm	10	70mm		Native
FG	<i>Fagus grandifolia</i>	American Beech	9	70mm		Native
<b>CONIFEROUS TREES</b>						
PS	<i>Pinus strobus</i>	White Pine	9	1.5m		Native
LL	<i>Larix laricina</i>	Larch	19	1.5m		Native
<b>SHRUBS</b>						
Ca	<i>Ceanothus americanus</i>	New Jersey Tea	--		1 U / m <sup>2</sup>	
Cr	<i>Cornus racemosa</i>	Gray dogwood	--		0.5 U / m <sup>2</sup>	
Cc	<i>Corylus cornuta</i>	Beaked Hazel	--		0.5 U / m <sup>2</sup>	
DI	<i>DierVilla lonicera</i>	Bush Honeysuckle	--		1 U / m <sup>2</sup>	
Ra	<i>Rhus aromatica</i>	Fragrant Sumac	--		0.5 U / m <sup>2</sup>	
RT	<i>Rhus typhina</i>	Staghorn Sumac	8		Speciman	
Sc	<i>Salix cordata</i>	Heartleaf willow	--		0.5 U / m <sup>2</sup>	
<b>PERENNIALS</b>						
Am	<i>Achillea millefolium "Sunny Seduction"</i>	Sunny Seduction Yarrow	--		4 U / m <sup>2</sup>	
Da	<i>Digitalis Alba</i>	Foxglove	--		3 U / m <sup>2</sup>	
He	<i>Hemerocallis Rocket City Orange</i>	Daylily	--		3 U / m <sup>2</sup>	
Ru	<i>Rudbeckia Indian Summer</i>	Black Eyed Susan	--		5 U / m <sup>2</sup>	
Se	<i>Sedum Lemonjade</i>	Autumn Stonecrop	--		4 U / m <sup>2</sup>	
Ve	<i>Veronica White Wands</i>	White Wands Veronica	--		4 U / m <sup>2</sup>	
<b>ORNAMENTAL GRASSES</b>						
Bo	<i>Bouteloua Blonde Ambition</i>	Blue Grama Grass	--		4 U / m <sup>2</sup>	
Kf	<i>Calamagrostis Karl Foerster</i>	Karl Foerster Grass	--		1 U / m <sup>2</sup>	
Pa	<i>Panicum Northwind</i>	Switch Grass	--		2 U / m <sup>2</sup>	



**BRISBROOK BEYON ARCHITECTS**  
 14 DUNCAN ST 4TH FLOOR  
 TORONTO, ON M5H 3G8  
 (416) 591-8999

**ENTUITIVE**  
 135 LAURIER AVE WEST, SUITE 413  
 OTTAWA, ON K1P 5J2  
 (343) 308-9274

**TMP**  
 200 KING ST. WEST, SUITE 310  
 TORONTO, ON M5H 3T4  
 (416) 499-8000

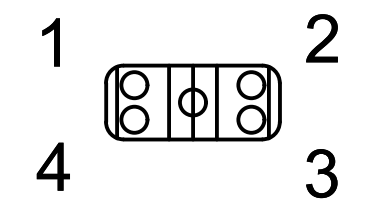
**MULVEY & BANANI**  
 90 SHEPPARD AVE EAST, SUITE 500  
 TORONTO, ON M2N 3A  
 (416) 751-2520

**S2O**  
 530 N. WOOD STREET #C  
 CHICAGO, IL 60622  
 (224) 717-1999

**CSW**  
 Landscape Architecture  
 Urban Design  
 Site Planning  
 Recreation and Park Planning  
 Project Management  
 319 McRae Avenue, Suite 502, Ottawa, Ontario, K1Z 0B9  
 Tel: (613) 729-4536

NO.	DESCRIPTION	DATE
3	ISSUED FOR SPA	7 AUG. 2024
2	ISSUED FOR CO-ORDINATION	28 JUNE 2024
1	ISSUED FOR PRE-CONSULTATION	31 MAY 2024

**REVISIONS/ ISSUES**  
 CONTRACTOR SHALL CHECK AND VERIFY ALL DIMENSIONS AND REPORT ANY OMISSIONS OR DISCREPANCIES TO THE ARCHITECT BEFORE PROCEEDING WITH THE WORK. DO NOT SCALE THE DRAWINGS



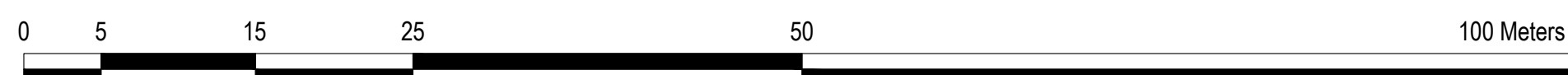
© 2024 CSW Landscape Architects Limited. All rights Reserved.  
 DRAWN SE/JA  
 DATE MAY 2024  
 CHECKED JC/CM

**LANSDOWNE EVENT CENTRE**

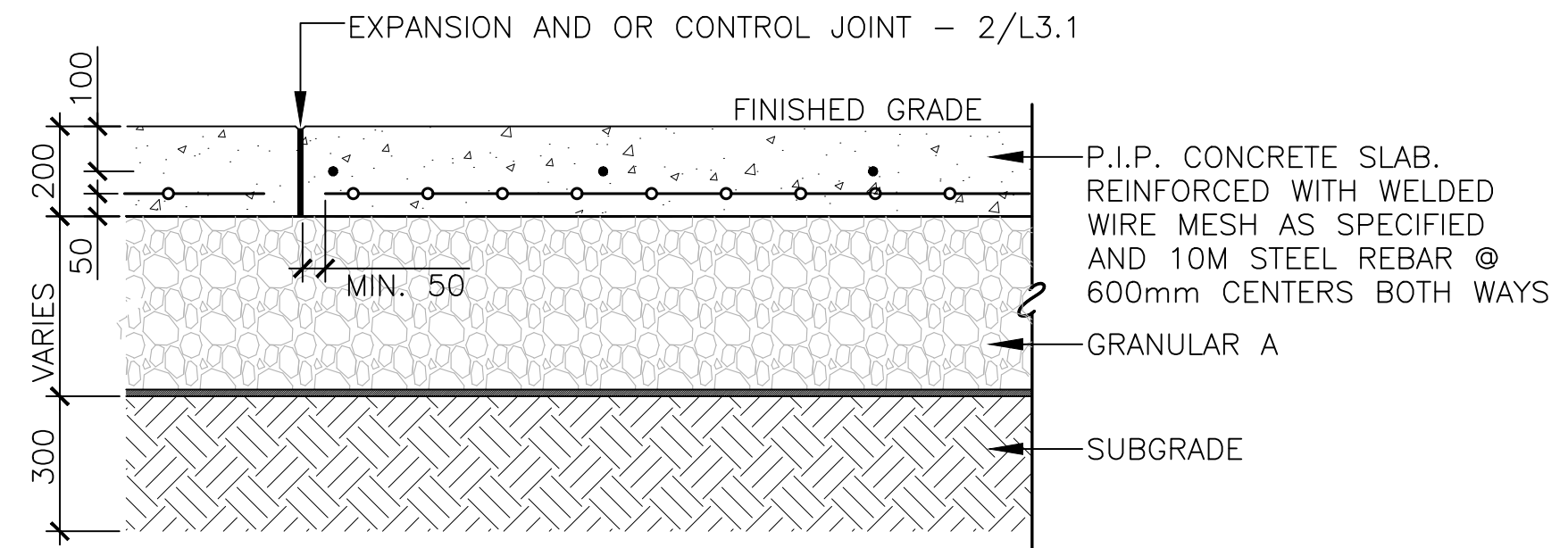
DWG. TITLE  
**LANDSCAPE PLANTING PLAN**

SCALE 1 : 400  
 DWG. NO. L2.0  
 PROJ. NO. CSW #1766-12

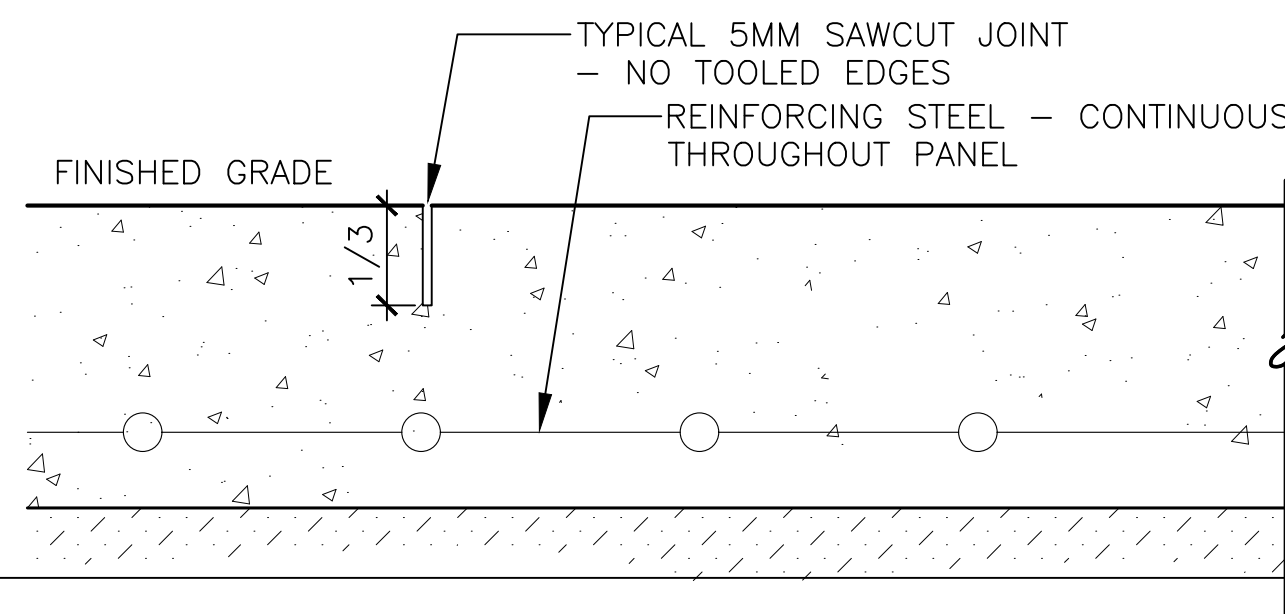
DATE PLOTTED: 01 January, 2000



- NOTES:
- FINISHES AS SPECIFIED: REFER TO PATTERNING PLAN.
  - REFER TO DETAIL 2/L3.1 FOR JOINTING INFORMATION
  - WELDED WIRE MESH - 50mm FROM BOTTOM OF PROFILE
  - REINFORCING BARS - CENTRED IN PROFILE.



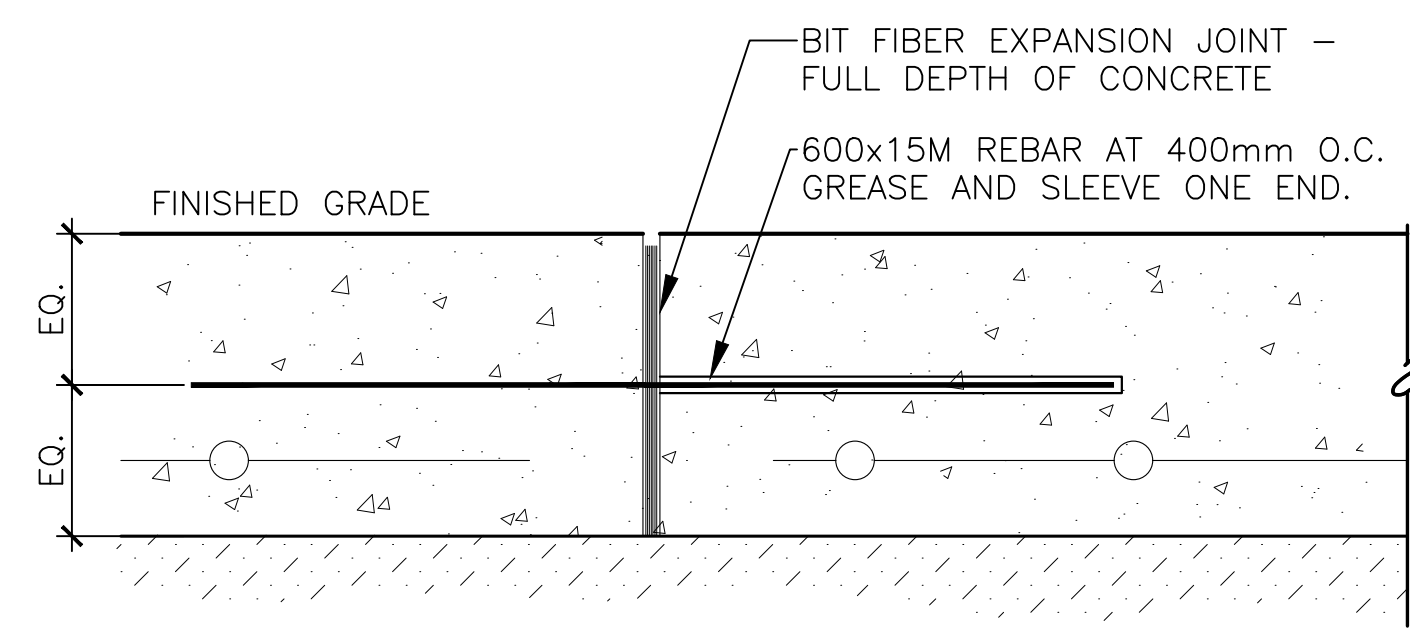
**1** CONCRETE SURFACE - REINFORCED  
**3.1** SCALE - 1:15



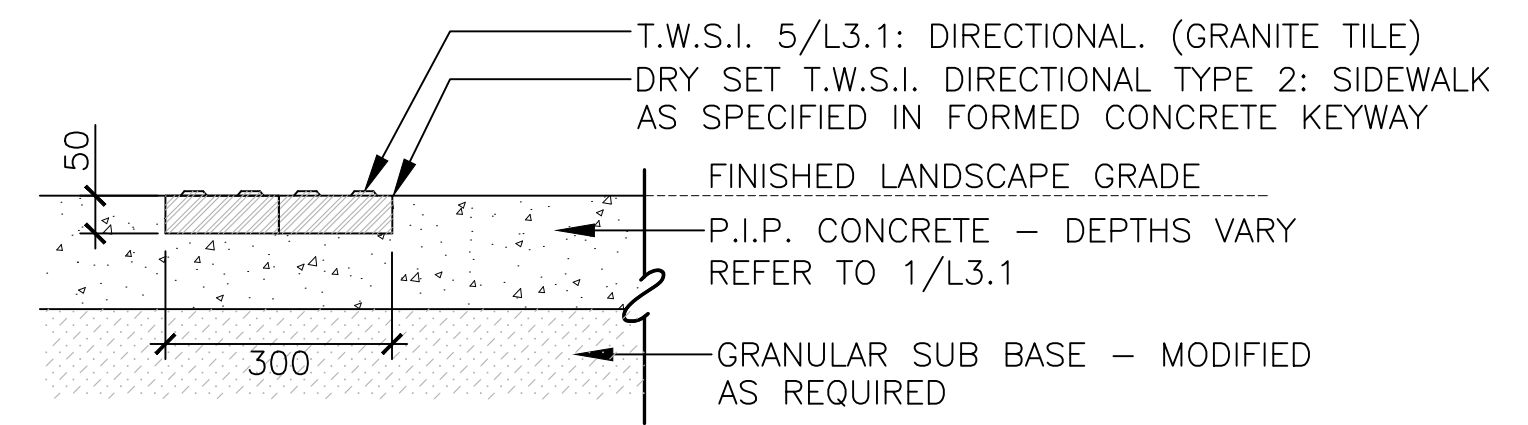
CONTROL JOINT

EXPANSION JOINT

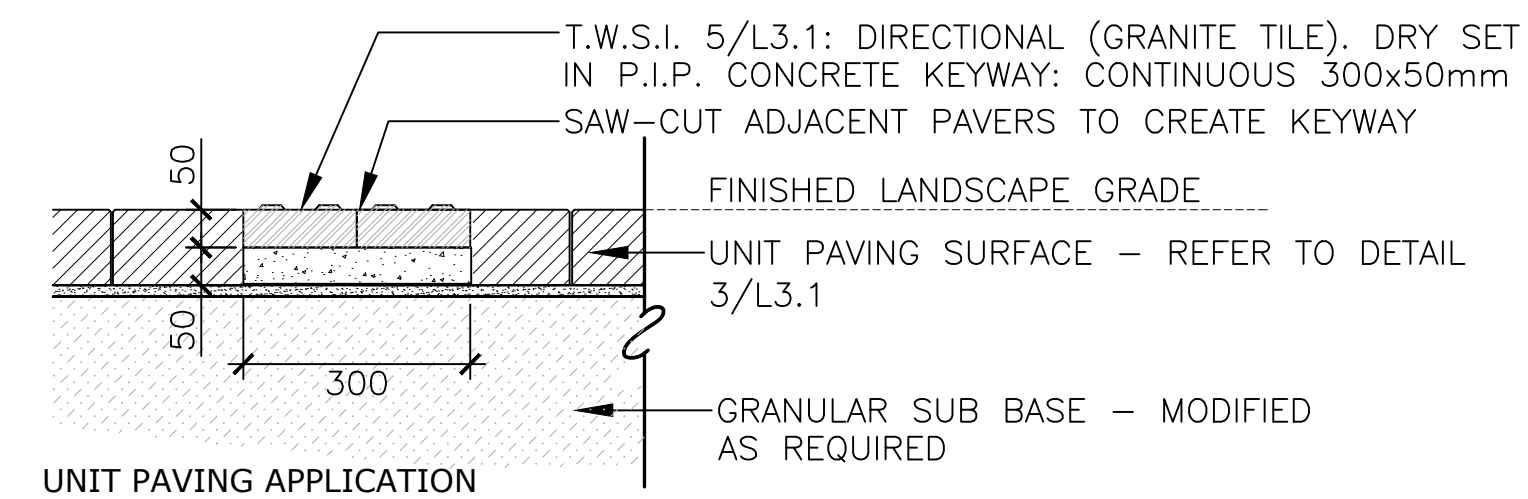
**2** TYPICAL CONCRETE JOINTS - 150mm  
**3.1** SCALE - 1:5



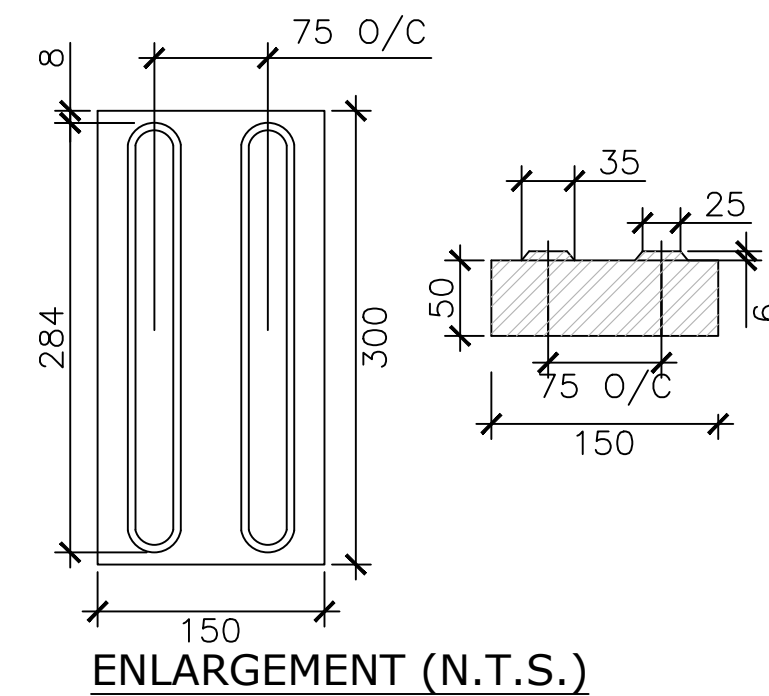
- NOTES:
- INSTALL T.W.S.I. TILE FLUSH WITH FINISHED CONCRETE SURFACE AS PER MANUFACTURER'S INSTRUCTIONS.
  - REFER TO PATTERNING ENLARGEMENT DRAWINGS FOR PLACEMENT AND SPACING - L1.0
  - INSTALL TILES IN CONTINUOUS STRAIGHT AND TRUE LINE. JOINTING BETWEEN TILES TO BE PERFORMED AS PER MANUFACTURER'S RECOMMENDATIONS.



CONCRETE APPLICATION



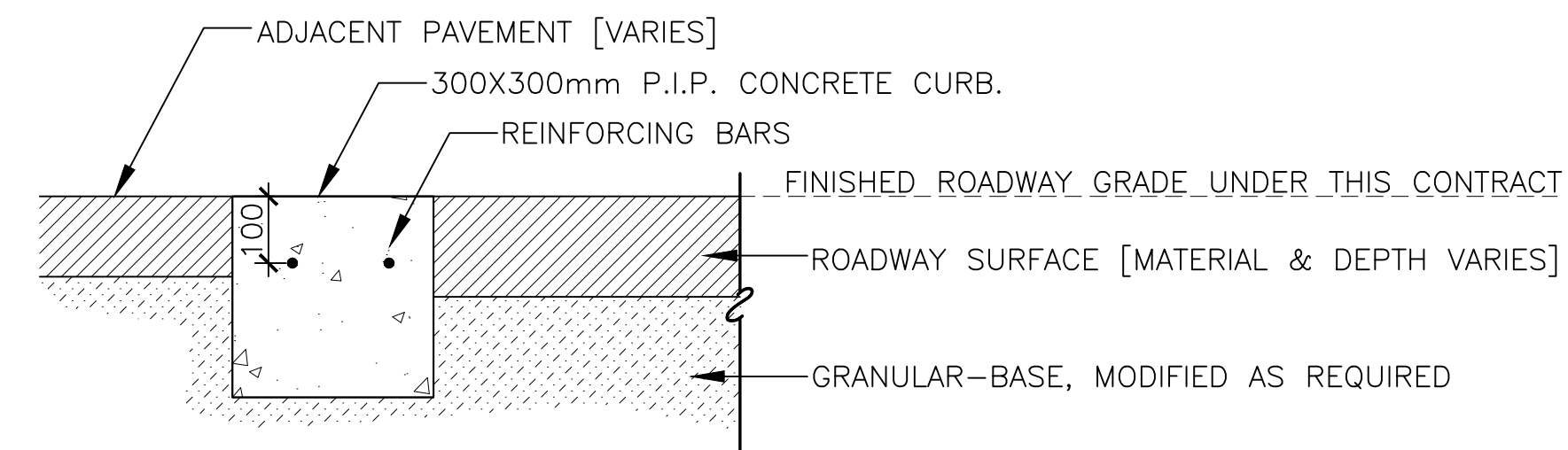
**4** TWSI TYPE 1: DIRECTIONAL - SIDEWALK  
**3.1** SCALE - 1:10



ENLARGEMENT (N.T.S.)

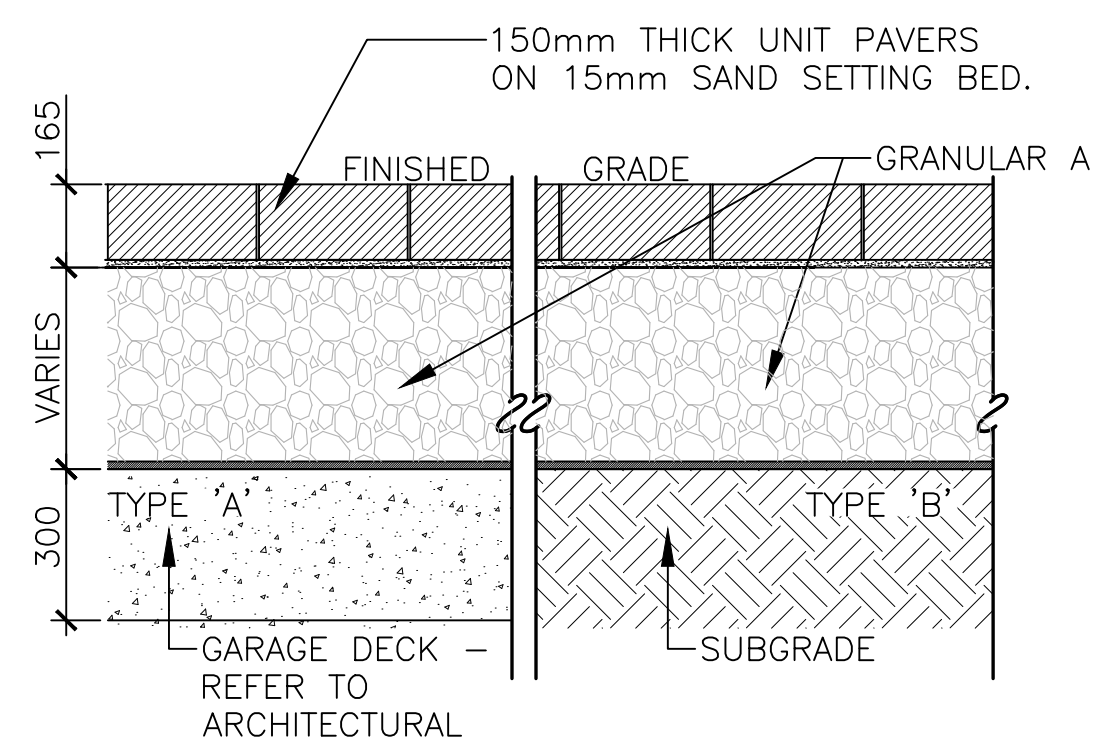
**5** TWSI GRANITE TILE - ENLARGEMENT  
**3.1** SCALE - N.T.S.

- NOTES:
- PROVIDE DOWELED BIT, FIBRE EXPANSION JOINT BETWEEN CURB AND ALL ADJACENT CONCRETE SURFACES.
  - SAW CUT CONTROL JOINTS FULL WIDTH OF CURB AT EVERY 3m O.C.
  - TOP OF CURB TO BE FLUSH WITH ADJACENT PAVEMENTS BOTH SIDES.
  - REINFORCE CURB WITH CONTINUOUS EPOXY COATED 10M STEEL BARS

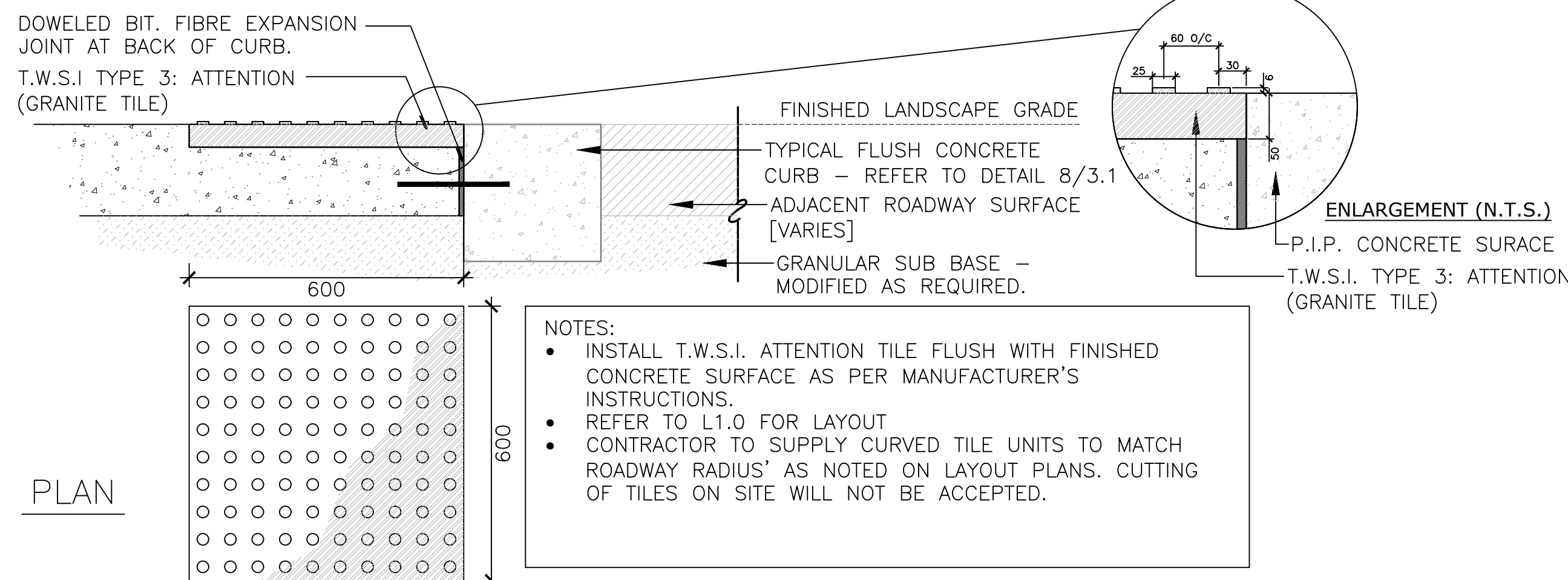


**8** ROAD CURB- FLUSH  
**3.1** SCALE - 1:10

- NOTES:
- TYPICAL PROFILE APPLIES TO ALL UNIT PAVING TYPES.
  - PATTERNS AND LAYOUT VARY BY PAVER TYPE - REFER TO LAYOUT/PATTERNING PLANS.



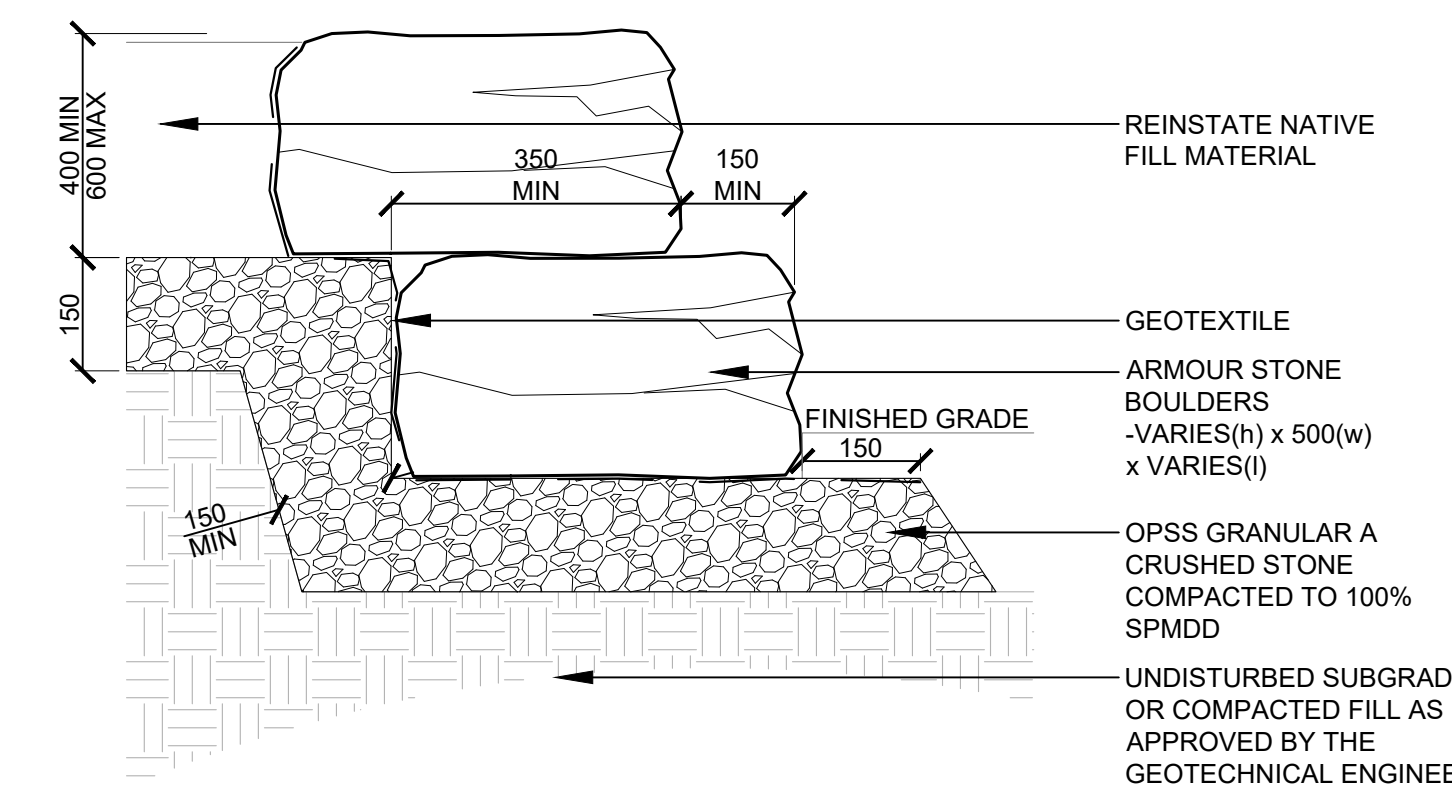
**3** UNIT PAVING - TYPICAL PROFILE  
**3.1** SCALE - 1:15



PLAN

- NOTES:
- INSTALL T.W.S.I. ATTENTION TILE FLUSH WITH FINISHED CONCRETE SURFACE AS PER MANUFACTURER'S INSTRUCTIONS.
  - REFER TO L1.0 FOR LAYOUT
  - CONTRACTOR TO SUPPLY CURVED TILE UNITS TO MATCH ROADWAY RADIUS' AS NOTED ON LAYOUT PLANS. CUTTING OF TILES ON SITE WILL NOT BE ACCEPTED.

**6** TWSI TYPE 2: ATTENTION  
**3.1** SCALE - 1:10



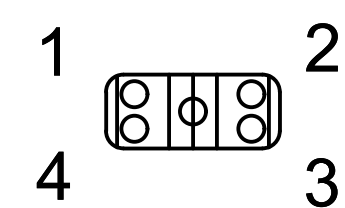
- NOTES:
- ARMOUR STONE WALL TO STEP AS REQUIRED. REFER TO GRADING PLAN FOR ELEVATIONS
  - ENSURE ALL EXPOSED EDGES ARE BLUNTED/EASED TO TO 6mm MINIMUM
  - MAXIMUM GAP BETWEEN BOULDERS IS 50mm
    - FILL GAPS WITH GEOTEXTILE AND COMPACTED GRANULAR AS REQUIRED
  - MAXIMUM EXPOSED FACE/STEP IS 550mm (TYPICAL)
  - EXCAVATION AND SUBGRADE CONDITION TO BE REVIEWED BY GEOTECHNICAL ENGINEER FOR WALLS OVER 1000 MM - REFER TO STRUCTURAL/GEOTECH (STAMP DRAWING)

**9** ARMOR STONE RETAINING WALL  
**3.1** SCALE - 1:10

NO.	DESCRIPTION	DATE
2	ISSUED FOR SPA	7 AUG 2024
1	ISSUED FOR PRE-CONSULTATION	31 MAY 2024

REVISIONS/ ISSUES

CONTRACTOR SHALL CHECK AND VERIFY ALL DIMENSIONS AND REPORT ANY OMISSIONS OR DISCREPANCIES TO THE ARCHITECT BEFORE PROCEEDING WITH THE WORK. DO NOT SCALE THE DRAWINGS



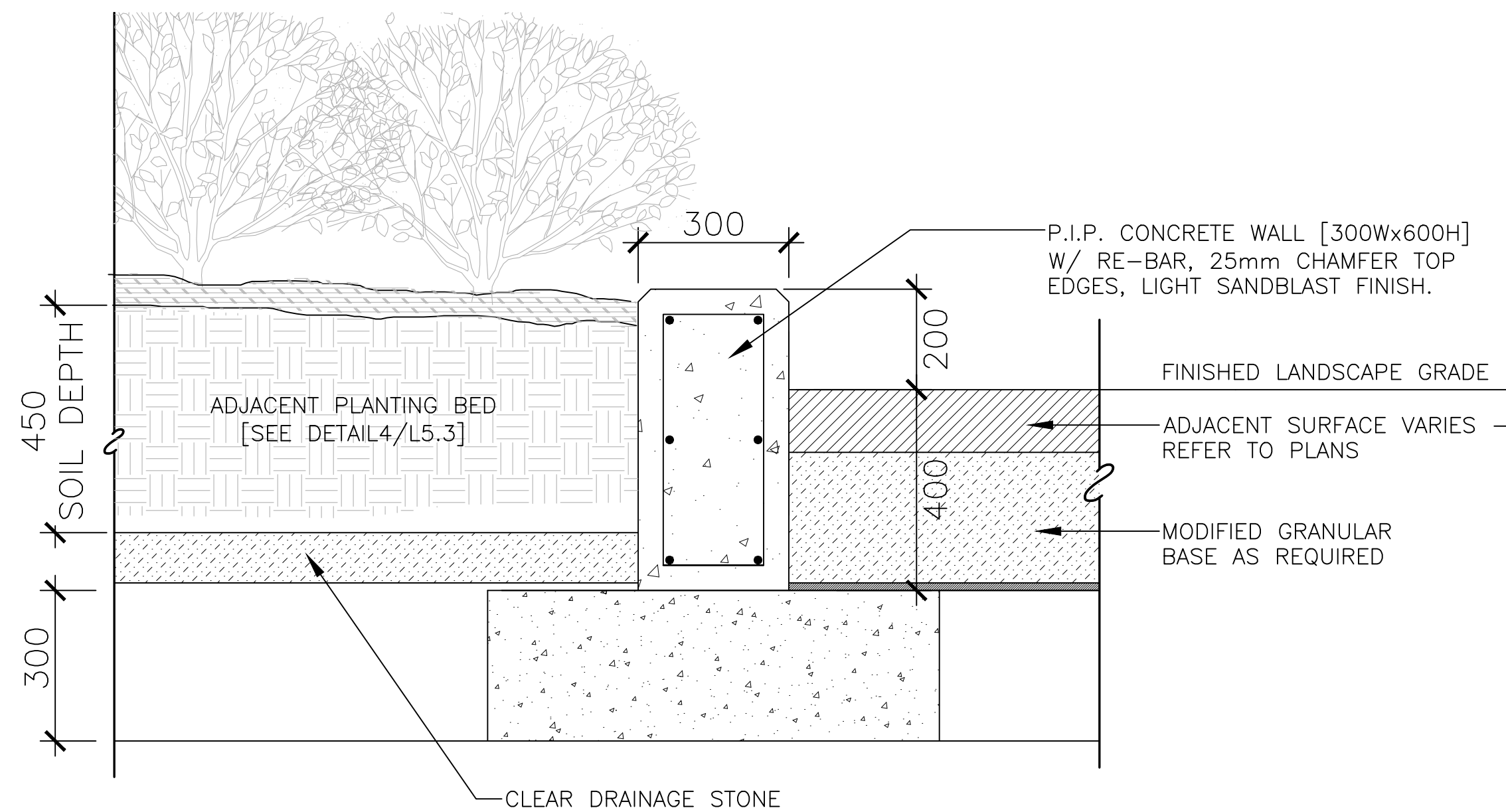
© 2024 CSW Landscape Architects Limited. All rights Reserved.

DRAWN	SE/JA
DATE	MAY 2024
CHECKED	JC/CM

LANDSDOWNE  
EVENT CENTRE

DWG. TITLE  
LANDSCAPE DETAILS  
PROPOSED DEVELOPMENT

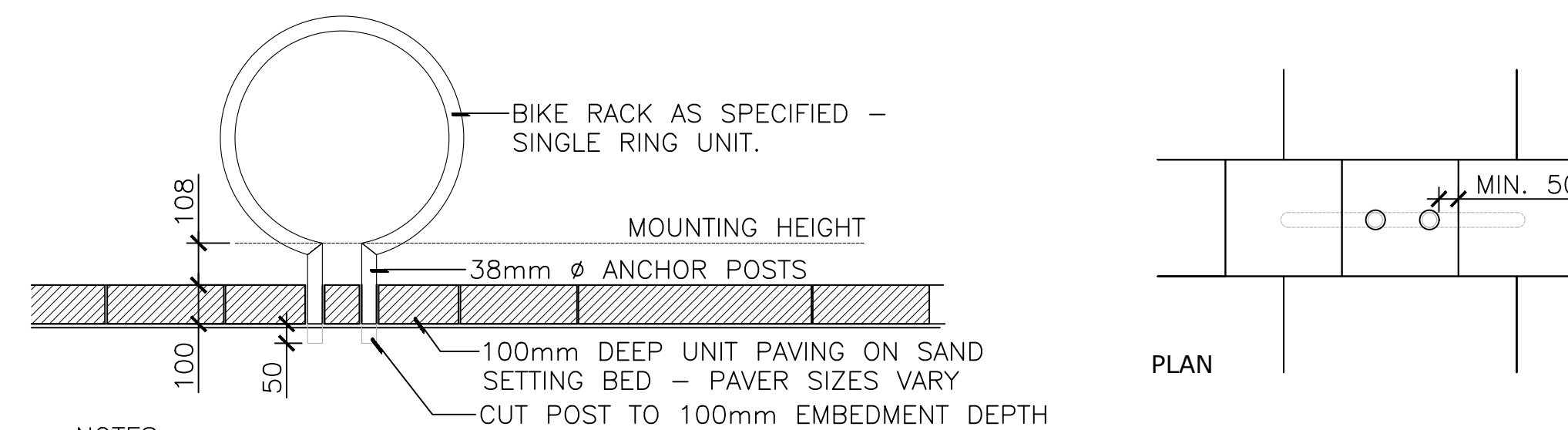
SCALE	DWG. NO.
AS SHOWN	L3.1
PROJ. NO.	CSW #1766-12



1 PLANTER CURB - ROAD SIDE

3.2

SCALE - 1:10



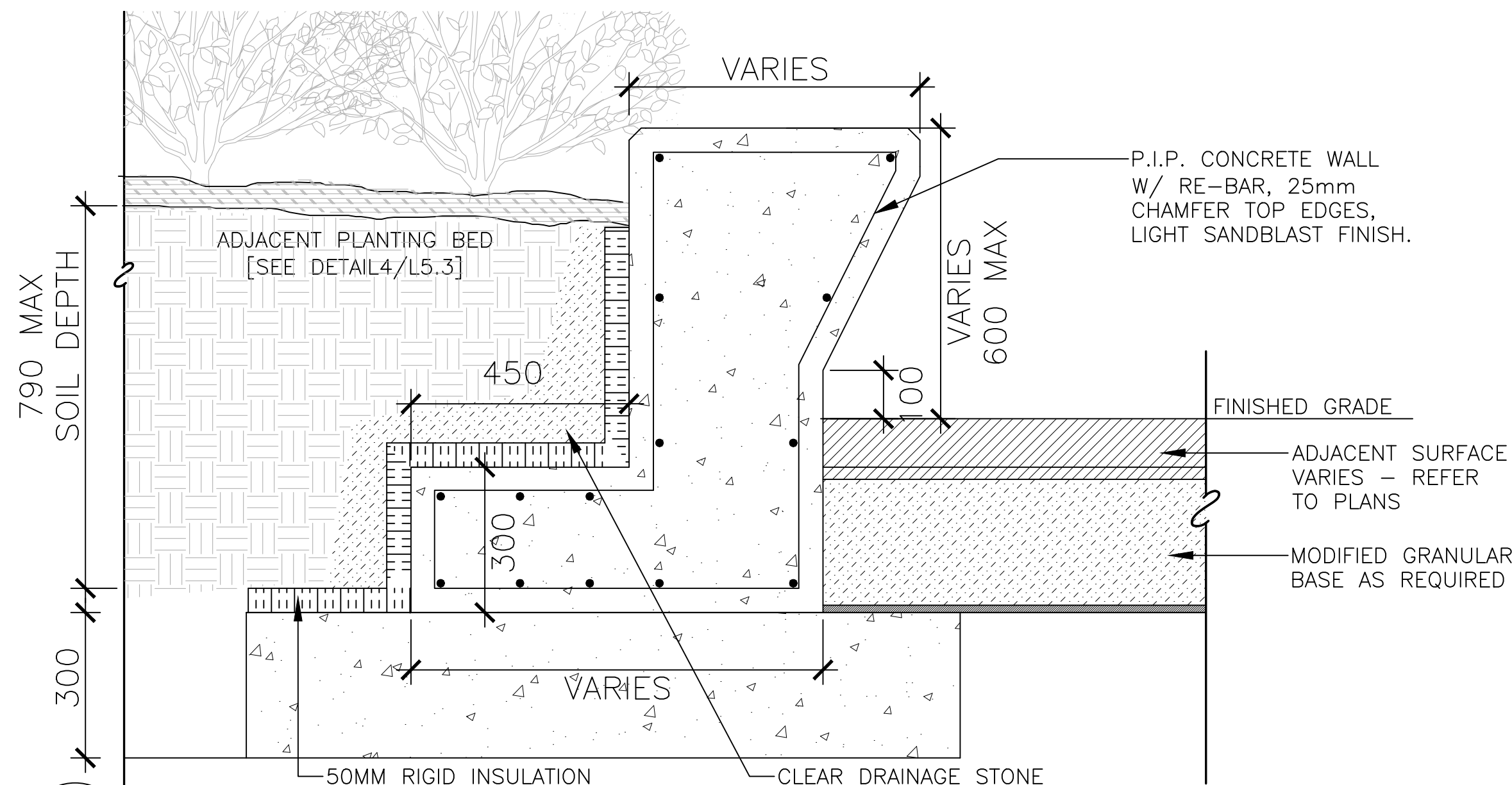
NOTES:

- CORE AND GROUT ANCHOR POSTS INTO 50mm DIA HOLE.
- INSTALL BIKE RACKS PLUMB.
- BOND IN PLACE WITH NON-SHRINK GROUT.
- TYPICAL EMBEDMENT DEPTH TO BE 150mm. IN UNIT PAVING - CORE FULL DEPTH OF PAVER AND CUT ANCHOR POSTS TO SEAT BIKE RACK ASSEMBLY AT MOUNTING HEIGHT AS SHOWN.
- IN UNIT PAVING CONDITION ENSURE MIN. 50mm COVER FROM CORED HOLE TO EDGE OF PAVER. WHERE PAVERS ARE LESS THAN 300x300mm IN SURFACE ARE - EPOXY ADJACENT PAVERS TOGETHER TO FORM SUFFICIENT PAVEMENT FOUNDATION.

4 BIKE RING MOUNTING - UNIT PAVING CONDITION

3.2

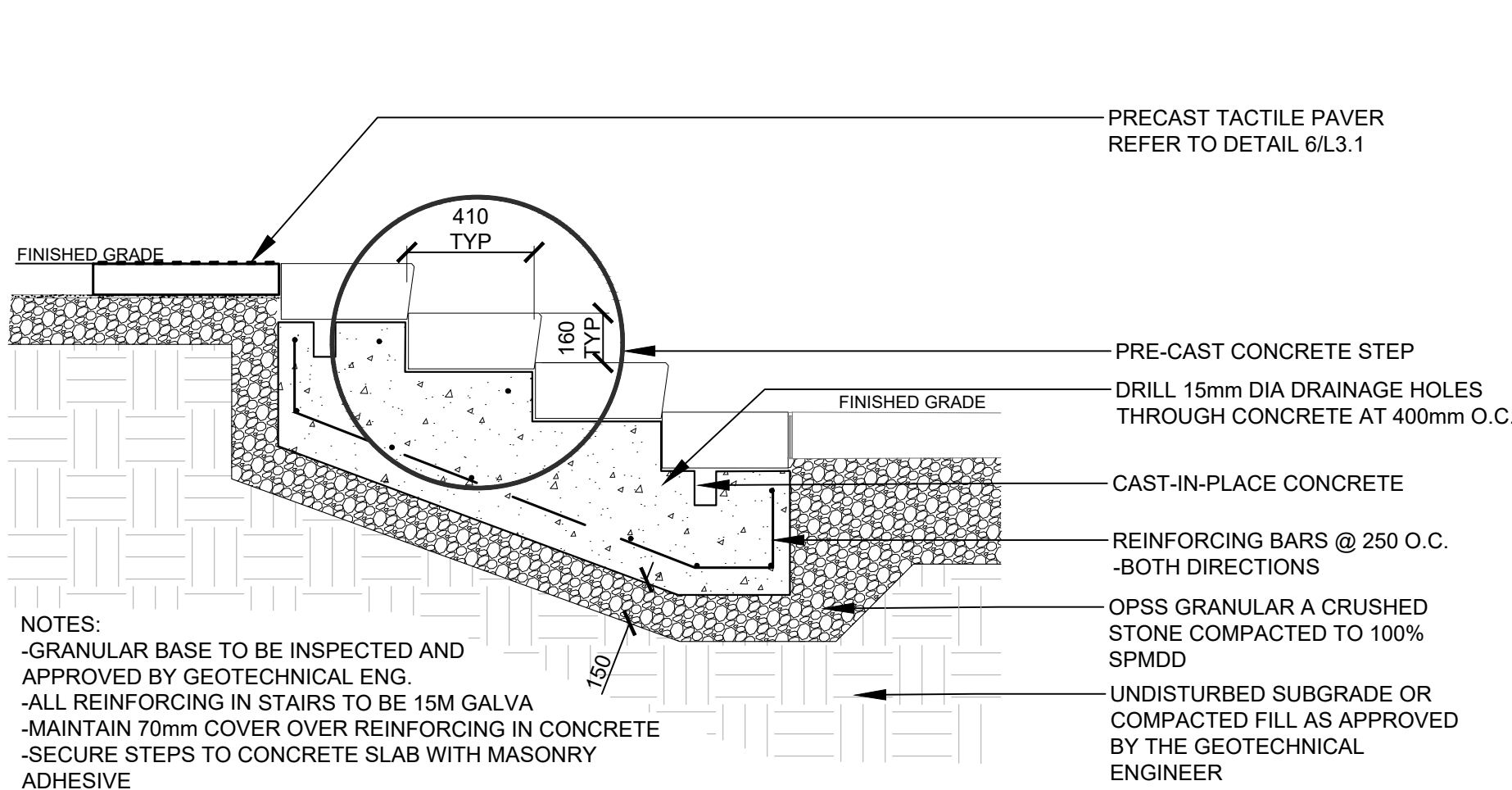
SCALE - 1:15



2 RAISED PLANTER WALL - RAISED PODIUM

3.2

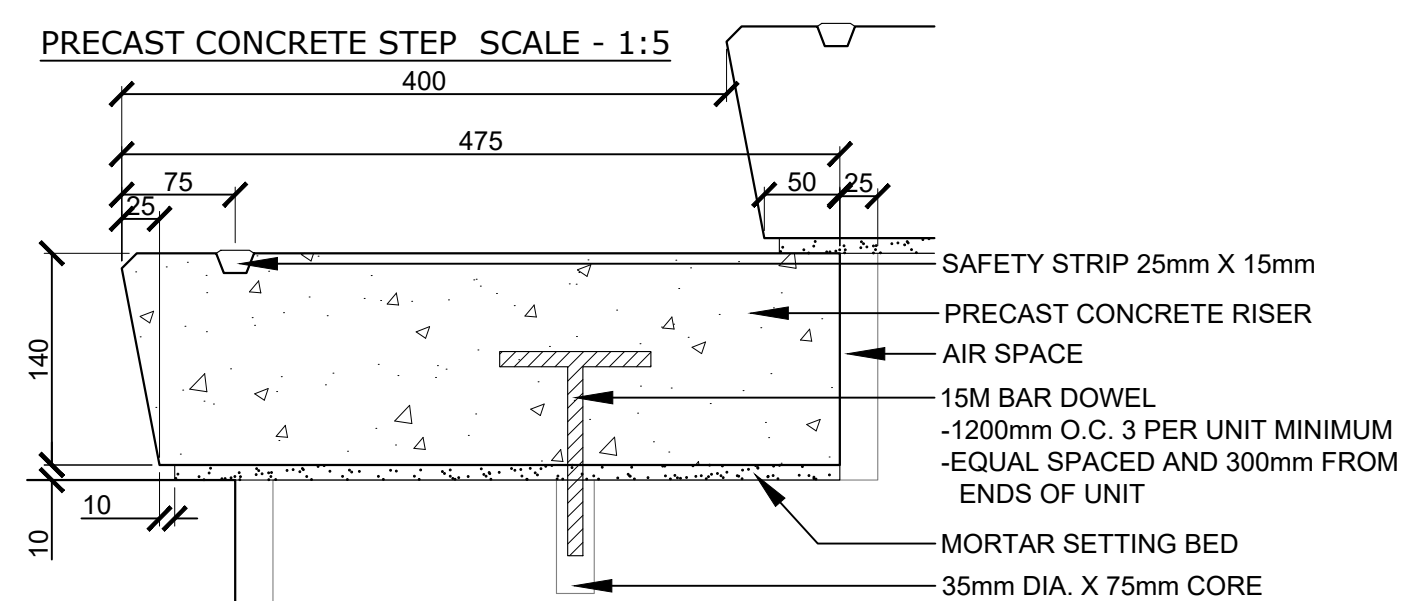
SCALE - 1:10



3 PRECAST CONCRETE STEPS ON C.I.P. FOOTING

3.2

SCALE - 1:20



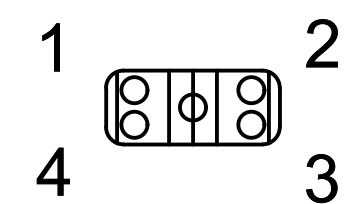
NOTES:

- ALL RISERS AS PART OF SET OF STAIRS SHALL HAVE THE SAME HEIGHT AND WIDTH OF TREAD
- SAFETY STRIP
  - CARBORUNDUM / EPOXY MIX
  - RAISED TEXTURE SET INTO EACH STAIR TREAD
  - TERMINATE SAFETY STRIP 50mm FROM EDGE OF STAIRS
- SLOPE TREADS TO DRAIN AT 1% (ENSURE POSITIVE DRAINAGE ON ALL TREADS)
- PRECAST UNITS TO HAVE MEDIUM SANDBLAST FINISH
- CONTRACTOR TO SUBMIT SHOP DRAWINGS FOR REVIEW PRIOR TO FABRICATION

NO.	DESCRIPTION	DATE
2	ISSUED FOR SPA	7 AUG 2024
1	ISSUED FOR PRE-CONSULTATION	31 MAY 2024

REVISIONS/ ISSUES

CONTRACTOR SHALL CHECK AND VERIFY ALL DIMENSIONS AND REPORT ANY OMISSIONS OR DISCREPANCIES TO THE ARCHITECT BEFORE PROCEEDING WITH THE WORK. DO NOT SCALE THE DRAWINGS



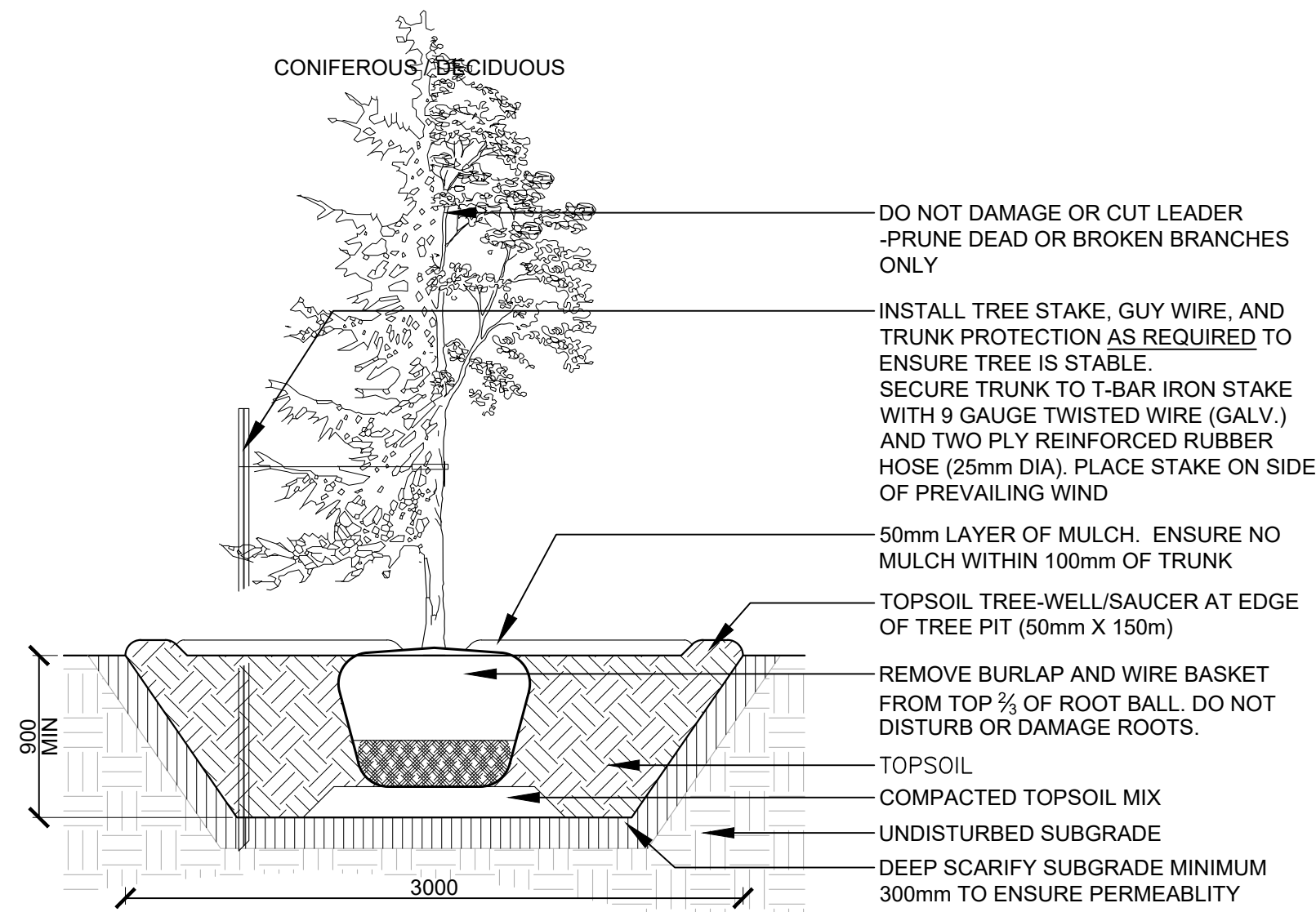
© 2024 CSW Landscape Architects Limited. All rights Reserved.

DRAWN	SE/JA
DATE	MAY 2024
CHECKED	JC/CM

LANDSDOWNE EVENT CENTRE

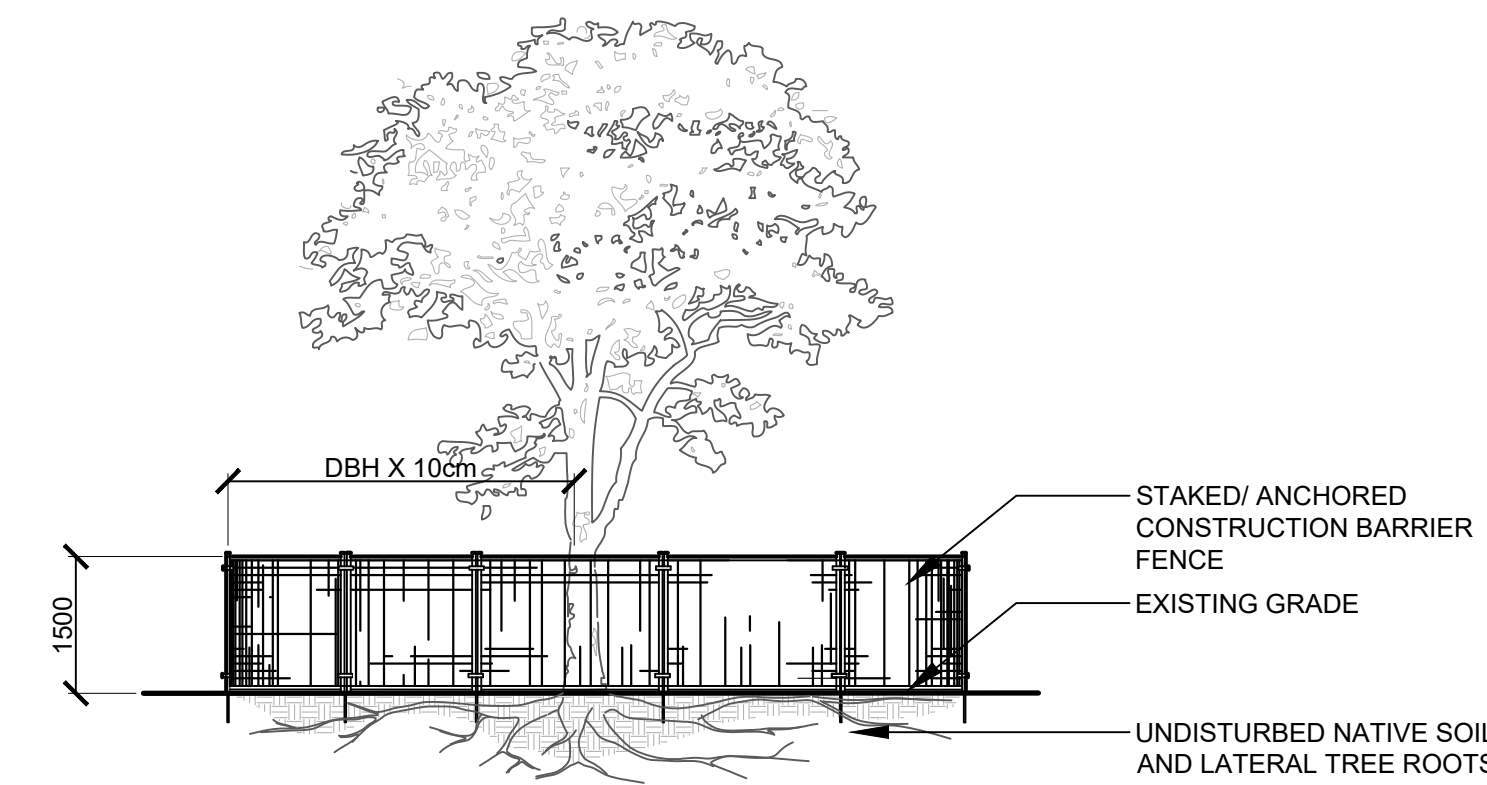
DWG. TITLE  
LANDSCAPE DETAILS  
PROPOSED DEVELOPMENT

SCALE	AS SHOWN	DWG. NO.	L3.2
PROJ. NO.	CSW #1766-12		



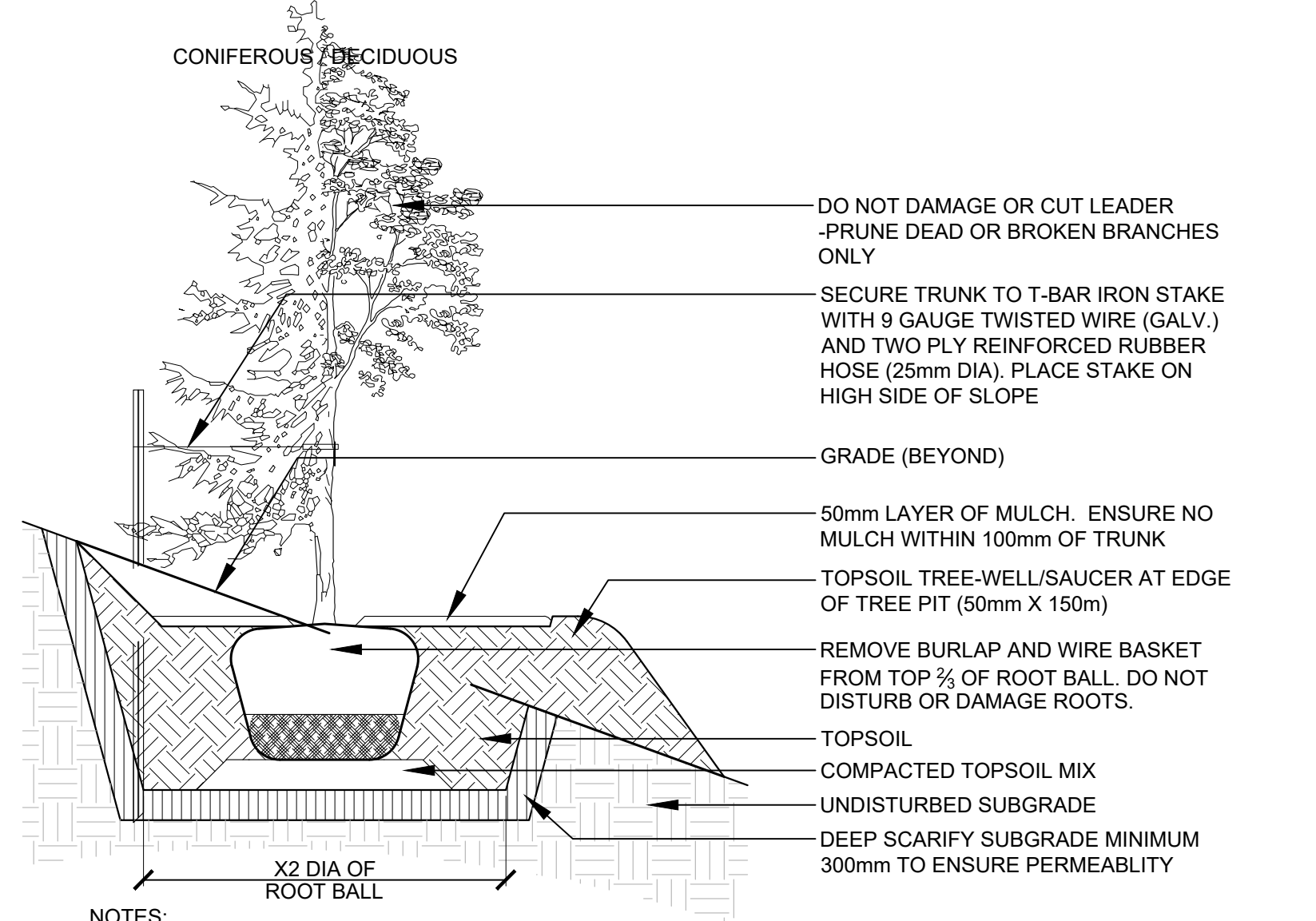
- CONIFEROUS / DECIDUOUS
- DO NOT DAMAGE OR CUT LEADER -PRUNE DEAD OR BROKEN BRANCHES ONLY
  - INSTALL TREE STAKE, GUY WIRE, AND TRUNK PROTECTION AS REQUIRED TO ENSURE TREE IS STABLE. SECURE TRUNK TO T-BAR IRON STAKE WITH 9 GAUGE TWISTED WIRE (GALV.) AND TWO PLY REINFORCED RUBBER HOSE (25mm DIA). PLACE STAKE ON SIDE OF PREVAILING WIND
  - 50mm LAYER OF MULCH. ENSURE NO MULCH WITHIN 100mm OF TRUNK
  - TOPSOIL TREE-WELL/SAUCER AT EDGE OF TREE PIT (50mm X 150m)
  - REMOVE BURLAP AND WIRE BASKET FROM TOP 2/3 OF ROOT BALL. DO NOT DISTURB OR DAMAGE ROOTS.
  - TOPSOIL
  - COMPACTED TOPSOIL MIX
  - UNDISTURBED SUBGRADE
  - DEEP SCARIFY SUBGRADE MINIMUM 300mm TO ENSURE PERMEABILITY
- NOTES:
- TREE STAKES ARE GENERALLY ARE TO BE USED FOR CONDITIONS WHERE THE INSTALLED TREE IS UNSTABLE AND/OR BECOMES UNSTABLE
  - ALLOW 10mm TO 25mm SLACK ON GUY WIRE SUPPORT FOR TREE
  - TOP OF ROOT BALL TO RETAIN SAME ELEVATION AS GROWING CONDITIONS
  - REMOVE STAKES ONE YEAR AFTER INSTALL
  - INSTALL STAKE BEYOND EDGE OF ROOT BALL

**1** TREE PLANTING  
3.3 SCALE - N.T.S.



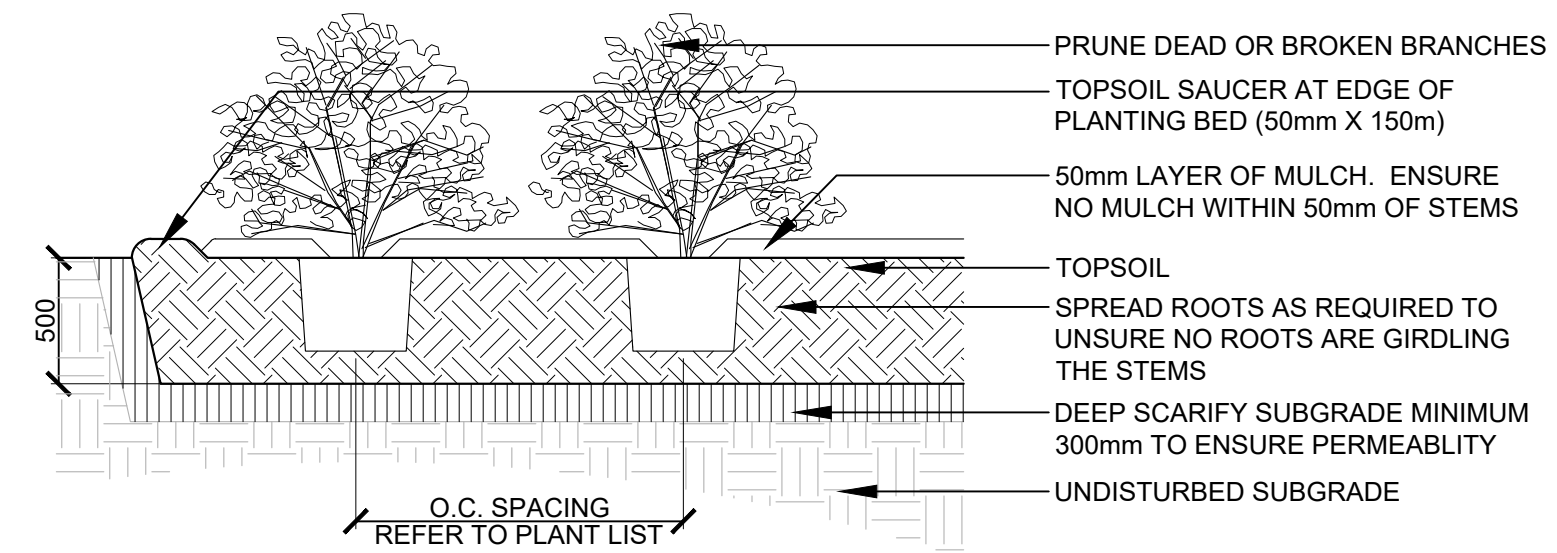
- NOTES:
- THE FOLLOWING PROTECTION MEASURES MUST BE IMPLEMENTED FOR RETAINED TREES, BOTH ON SITE AND ADJACENT SITES, PRIOR TO ANY TREE REMOVAL OR SITE WORKS AND MAINTAINED FOR THE DURATION OF CONSTRUCTION ON SITE.
- UNDER THE GUIDANCE OF AN ARBORIST, ERECT A FENCE AT THE CRITICAL ROOT ZONE(CRZ) OF TREES WHERE THE CRZ IS ESTABLISHED AS BEING 10 CENTIMETERS FROM THE TRUNK FOR EVERY CENTIMETER OF TRUNK DIAMETER AT BREAST HEIGHT. THE CRZ IS CALCULATED AS DBH X 10cm.
  - DO NOT PLACE ANY MATERIAL OR EQUIPMENT WITHIN THE CRZ OF THE TREE
  - DO NOT ATTACH ANY SIGNS NOTICES OR POSTERS TO ANY TREE
  - DO NOT RAISE OR LOWER THE GRADE WITHIN THE CRZ WITHOUT APPROVAL
  - TUNNEL OR BORE WHEN DIGGING WITHIN THE CRZ OF A TREE
  - DO NOT DAMAGE THE ROOT SYSTEM, TRUNK, OR BRANCHES OR ANY TREE
  - ENSURE THAT EXHAUST FUMES FROM ALL EQUIPMENT ARE NOT DIRECTED TOWARDS ANY TREE CANOPY

**4** TREE PROTECTION FENCE  
3.3 SCALE - N.T.S.



- CONIFEROUS / DECIDUOUS
- DO NOT DAMAGE OR CUT LEADER -PRUNE DEAD OR BROKEN BRANCHES ONLY
  - SECURE TRUNK TO T-BAR IRON STAKE WITH 9 GAUGE TWISTED WIRE (GALV.) AND TWO PLY REINFORCED RUBBER HOSE (25mm DIA). PLACE STAKE ON HIGH SIDE OF SLOPE
  - GRADE (BEYOND)
  - 50mm LAYER OF MULCH. ENSURE NO MULCH WITHIN 100mm OF TRUNK
  - TOPSOIL TREE-WELL/SAUCER AT EDGE OF TREE PIT (50mm X 150m)
  - REMOVE BURLAP AND WIRE BASKET FROM TOP 2/3 OF ROOT BALL. DO NOT DISTURB OR DAMAGE ROOTS.
  - TOPSOIL
  - COMPACTED TOPSOIL MIX
  - UNDISTURBED SUBGRADE
  - DEEP SCARIFY SUBGRADE MINIMUM 300mm TO ENSURE PERMEABILITY
- NOTES:
- CUT AND FILL SLOPES SHALL BE 3:1 MAXIMUM
  - TOP OF ROOT BALL TO RETAIN SAME ELEVATION AS GROWING CONDITIONS
  - ALLOW 10mm TO 25mm SLACK ON GUY WIRE SUPPORT FOR TREE
  - REMOVE STAKES ONE YEAR AFTER INSTALL
  - INSTALL STAKE BEYOND EDGE OF ROOT BALL

**2** TREE PLANTING ON SLOPE  
3.3 SCALE - N.T.S.



- PRUNE DEAD OR BROKEN BRANCHES
  - TOPSOIL SAUCER AT EDGE OF PLANTING BED (50mm X 150m)
  - 50mm LAYER OF MULCH. ENSURE NO MULCH WITHIN 50mm OF STEMS
  - TOPSOIL
  - SPREAD ROOTS AS REQUIRED TO UNSURE NO ROOTS ARE GIRDLING THE STEMS
  - DEEP SCARIFY SUBGRADE MINIMUM 300mm TO ENSURE PERMEABILITY
  - UNDISTURBED SUBGRADE
- NOTES:
- TOP OF ROOT BALL TO RETAIN SAME ELEVATION AS GROWING CONDITIONS

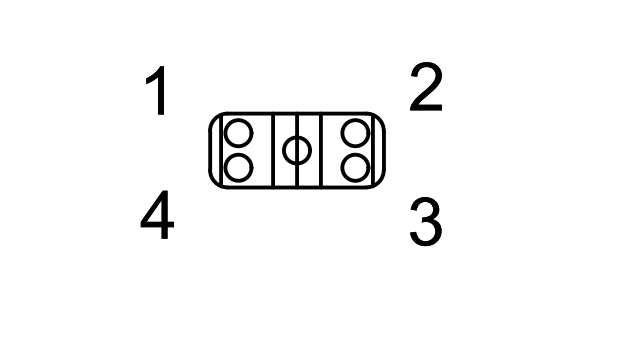
**3** SHRUB / PERENNIAL PLANTING  
3.3 SCALE - N.T.S.



2	ISSUED FOR SPA	7 AUG 2024
1	ISSUED FOR PRE-CONSULTATION	31 MAY 2024
NO.	DESCRIPTION	DATE

REVISIONS/ ISSUES

CONTRACTOR SHALL CHECK AND VERIFY ALL DIMENSIONS AND REPORT ANY OMISSIONS OR DISCREPANCIES TO THE ARCHITECT BEFORE PROCEEDING WITH THE WORK. DO NOT SCALE THE DRAWINGS



DRAWN SE/JA  
DATE MAY 2024  
CHECKED JC/CM

LANDSDOWNE  
EVENT CENTRE

DWG. TITLE  
LANDSCAPE DETAILS  
PROPOSED DEVELOPMENT

SCALE AS SHOWN  
PROJ. NO. CSW #1766-12  
DWG. NO. L3.3