

LEGEND

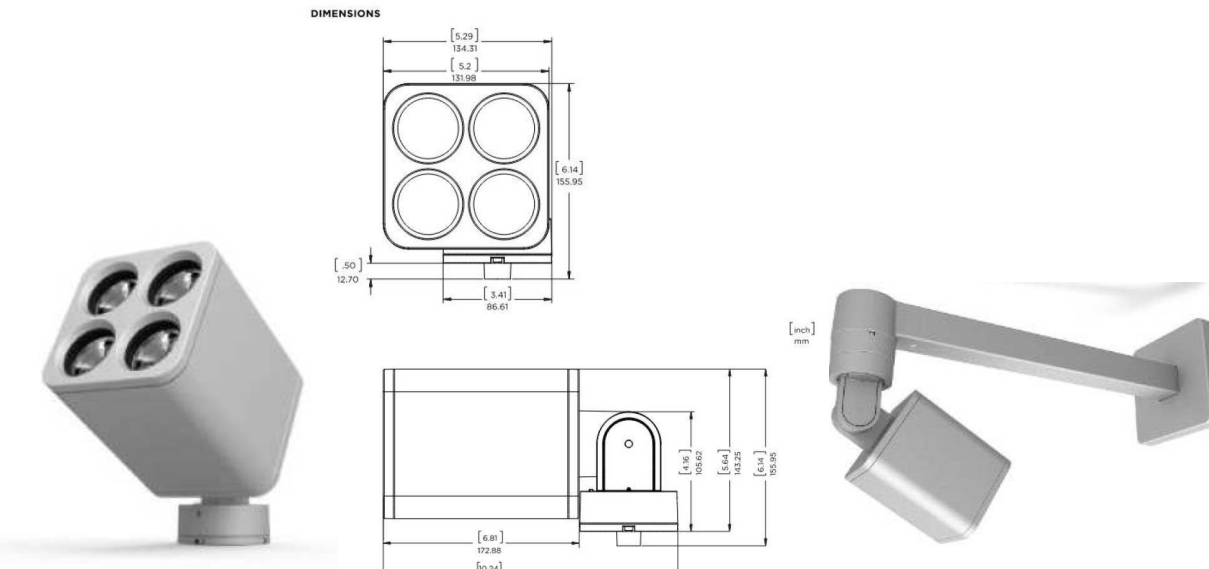
- 1 VERTICAL METAL PLANK SIDING
- 2 ALUMINUM FRAME CURTAIN WALL GLAZING
- 3 SPLIT FACE MASONRY BLOCK
- 4 MECHANICAL SCREENS
- 5 METAL FLASHING

NOTES

1 ALL SIGNAGE TO COMPLY WITH THE LANSDOWNE SIGNAGE AND WAYFINDING PLAN

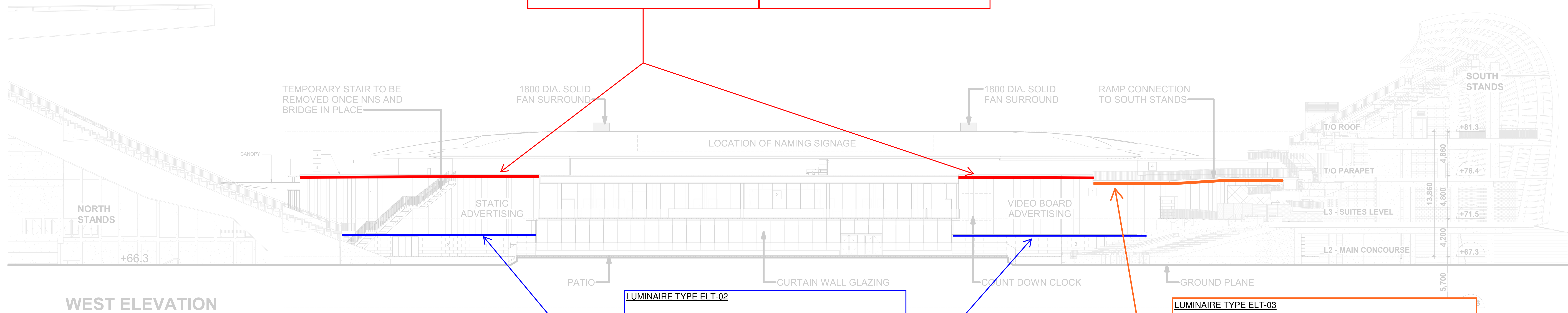
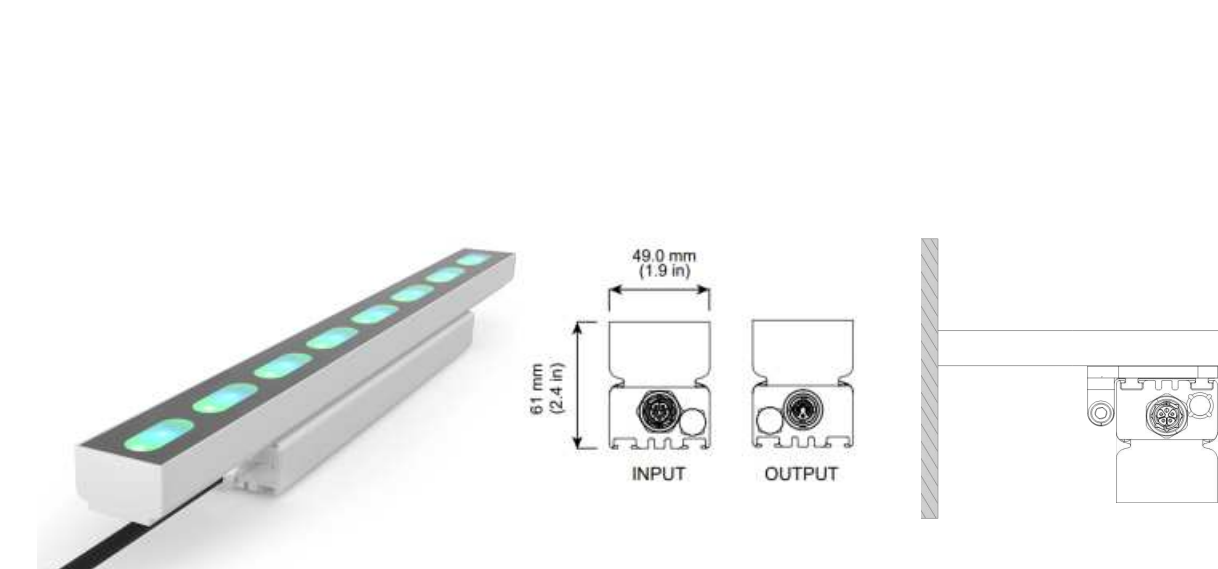
LUMINAIRE TYPE ELT-01 (OPTION 01)

Compact and powerful LED luminaire wall mounted with brackets to the top of the exterior facade mounted on 30' centers following curvature of the architecture. Illuminating down the vertical surface. Providing aesthetic lighting to the metal facade surface. Luminaire could be static white or static colour



LUMINAIRE TYPE ELT-01 (OPTION 02)

Optically controlled linear LED luminaire wall mounted with brackets to the top of the exterior facade mounted on 30' centers following curvature of the architecture. Illuminating down the vertical surface. Providing aesthetic lighting to the metal facade surface. Luminaire could be static white or Dynamic Colour



WEST ELEVATION

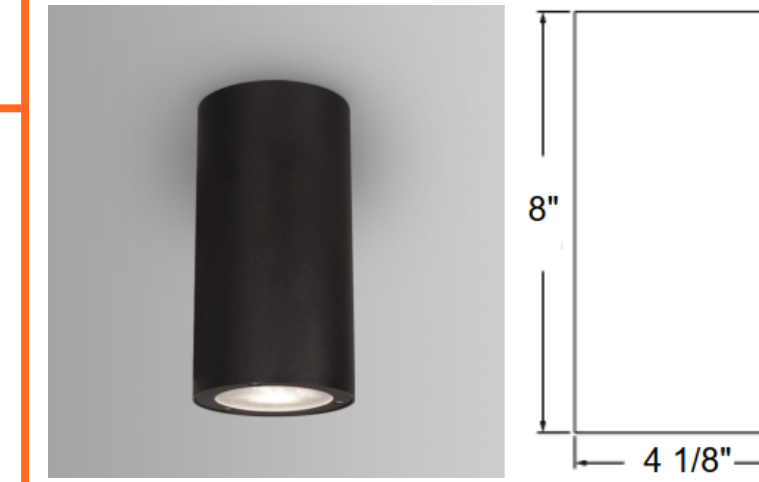
LUMINAIRE TYPE ELT-02

Optically controlled LED luminaires wall mounted on 10-12' centres, providing general illumination to the pedestrian walkways. Luminaire to be static white.



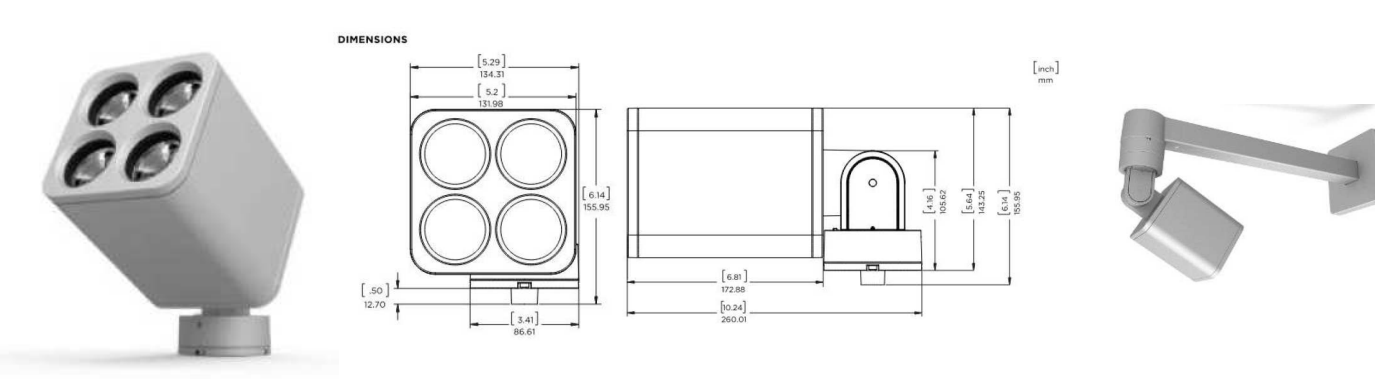
LUMINAIRE TYPE ELT-03

Optically controlled LED luminaires surface mounted to underside of bridge on 10-12' centres, providing general illumination to the pedestrian walkways. Luminaire to be static white.



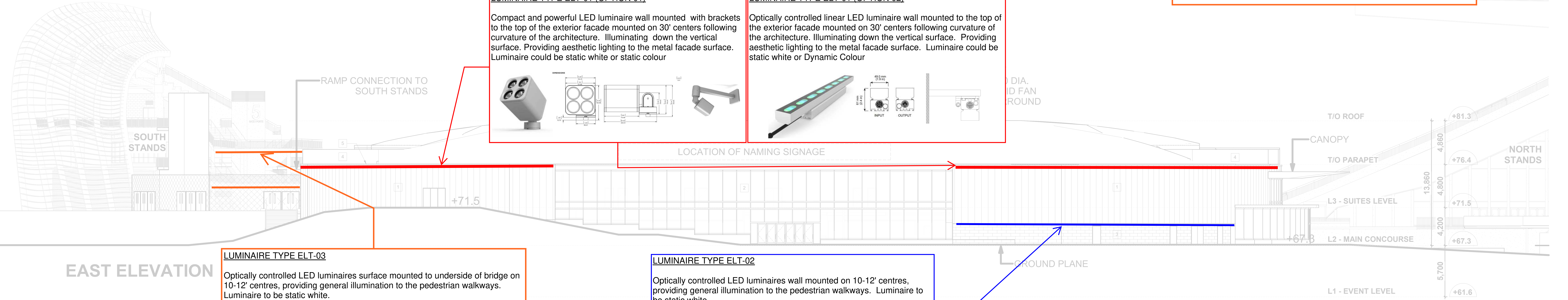
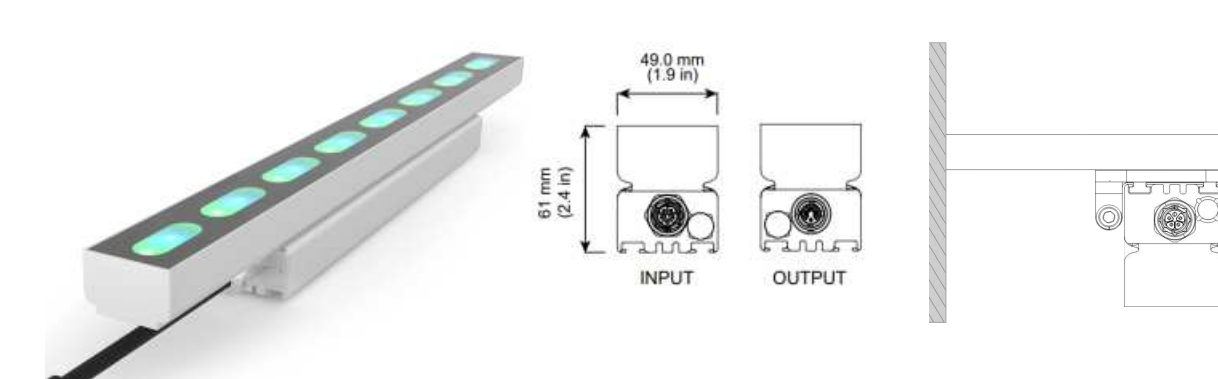
LUMINAIRE TYPE ELT-01 (OPTION 01)

Compact and powerful LED luminaire wall mounted with brackets to the top of the exterior facade mounted on 30' centers following curvature of the architecture. Illuminating down the vertical surface. Providing aesthetic lighting to the metal facade surface. Luminaire could be static white or static colour



LUMINAIRE TYPE ELT-01 (OPTION 02)

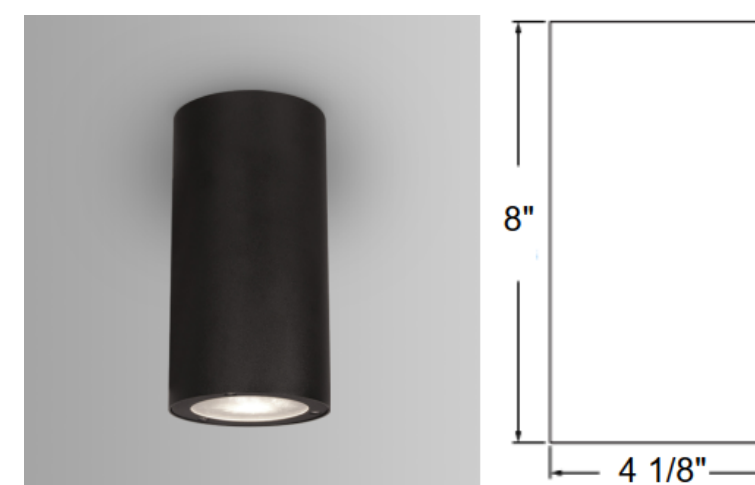
Optically controlled linear LED luminaire wall mounted to the top of the exterior facade mounted on 30' centers following curvature of the architecture. Illuminating down the vertical surface. Providing aesthetic lighting to the metal facade surface. Luminaire could be static white or Dynamic Colour



EAST ELEVATION

LUMINAIRE TYPE ELT-03

Optically controlled LED luminaires surface mounted to underside of bridge on 10-12' centres, providing general illumination to the pedestrian walkways. Luminaire to be static white.



LUMINAIRE TYPE ELT-02

Optically controlled LED luminaires wall mounted on 10-12' centres, providing general illumination to the pedestrian walkways. Luminaire to be static white.



IN PROGRESS

THESE ARE SCHEMATIC DESIGN DRAWINGS FOR BTY'S CLASS C COST ESTIMATE OF THE EVENT CENTRE ("EC"). TOTAL EC BUILDING AREA HAS RECENTLY BEEN REDUCED TO 160,000SF TO MEET BUDGET. BY EOD, FRIDAY 8-02-24, IT IS ASSUMED THE DISTRIBUTION OF FUNCTIONAL SPACES IS APPROVED AND WILL NOT BE SIGNIFICANTLY ALTERED IN THE FUTURE EXCEPT TO FURTHER REDUCE THE COST TO BUDGET.

DATE: 2024-08-19

© Copyright of BBB Architects Toronto Inc. 2024. Not to be reproduced or distributed without written authorization of the copyright owner.

BRISBROOK BEYON ARCHITECTS

LANSDOWNE EVENT CENTRE EAST AND WEST ELEVATION Schematic Design



DATE PLOTTED: 2024-08-22 8:14:23 AM

LEGEND

- 1 VERTICAL METAL PLANK SIDING
- 2 ALUMINUM FRAME CURTAIN WALL GLAZING
- 3 SPLIT FACE MASONRY BLOCK
- 4 MECHANICAL SCREENS
- 5 METAL FLASHING

NOTES

1 ALL SIGNAGE TO COMPLY WITH THE LANSDOWNE SIGNAGE AND WAYFINDING PLAN

LUMINAIRE TYPE ELT-01 (OPTION 01)

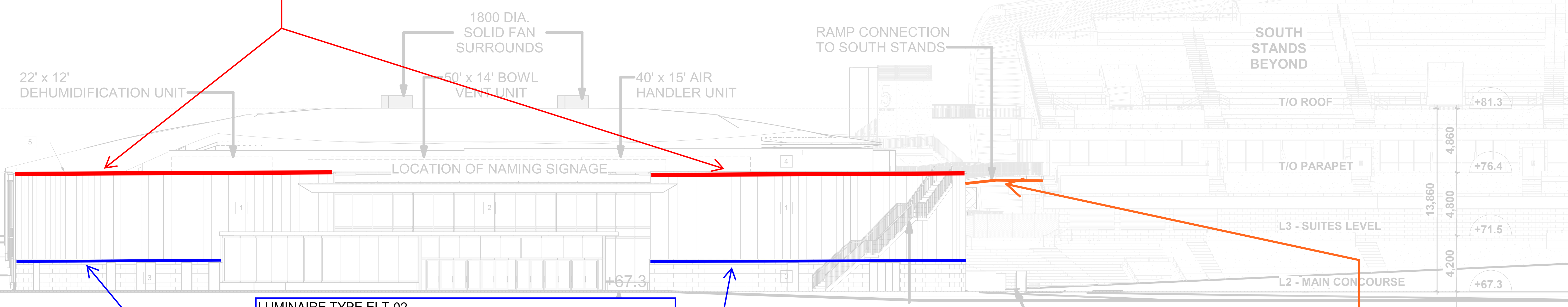
Compact and powerful LED luminaire wall mounted with brackets to the top of the exterior facade mounted on 30" centers following curvature of the architecture. Illuminating down the vertical surface. Providing aesthetic lighting to the metal facade surface. Luminaire could be static white or static colour

LUMINAIRE TYPE ELT-01 (OPTION 02)

Optically controlled linear LED luminaire wall mounted with brackets to the top of the exterior facade mounted on 30" centers following curvature of the architecture. Illuminating down the vertical surface. Providing aesthetic lighting to the metal facade surface. Luminaire could be static white or Dynamic Colour

NORTH ELEVATION

MOVING SURFACES:
REINSTATEMENT SUBJECT TO
CONSULTATION WITH THE
ARTIST AND FINAL DECISION
BY RCFS

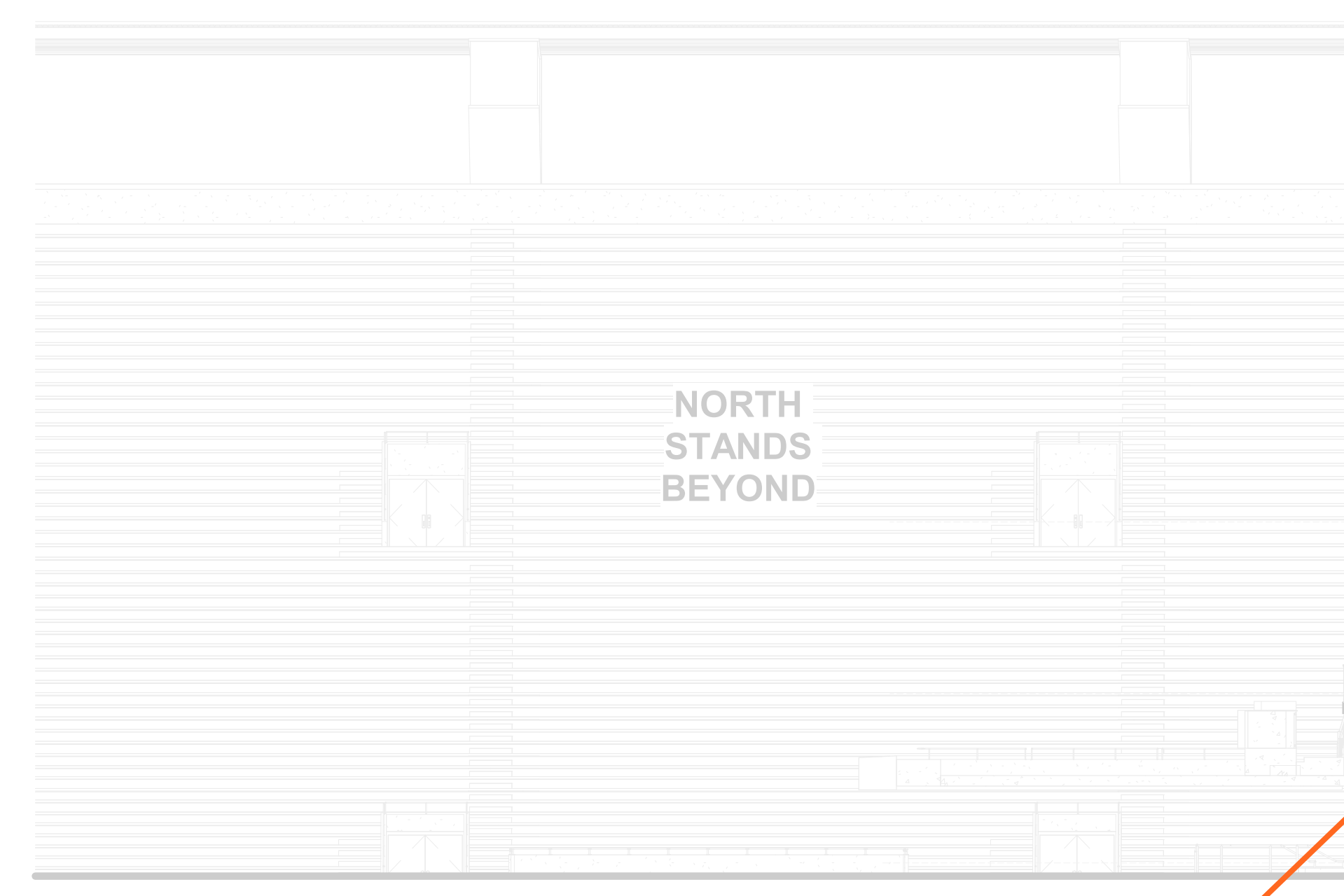


LUMINAIRE TYPE ELT-02

Optically controlled LED luminaires wall mounted on 10-12' centres, providing general illumination to the pedestrian walkways. Luminaire to be static white.

LUMINAIRE TYPE ELT-03

Optically controlled LED luminaires surface mounted to underside of bridge on 10-12' centres, providing general illumination to the pedestrian walkways. Luminaire to be static white.



LUMINAIRE TYPE ELT-01 (OPTION 01)

Compact and powerful LED luminaire wall mounted with brackets to the top of the exterior facade mounted on 30" centers following curvature of the architecture. Illuminating down the vertical surface. Providing aesthetic lighting to the metal facade surface. Luminaire could be static white or static colour

LUMINAIRE TYPE ELT-01 (OPTION 02)

Optically controlled linear LED luminaire wall mounted to the top of the exterior facade mounted on 30" centers following curvature of the architecture. Illuminating down the vertical surface. Providing aesthetic lighting to the metal facade surface. Luminaire could be static white or Dynamic Colour

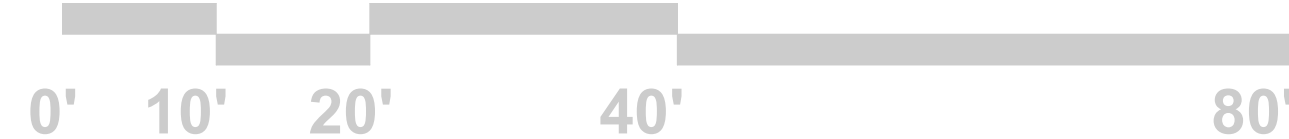
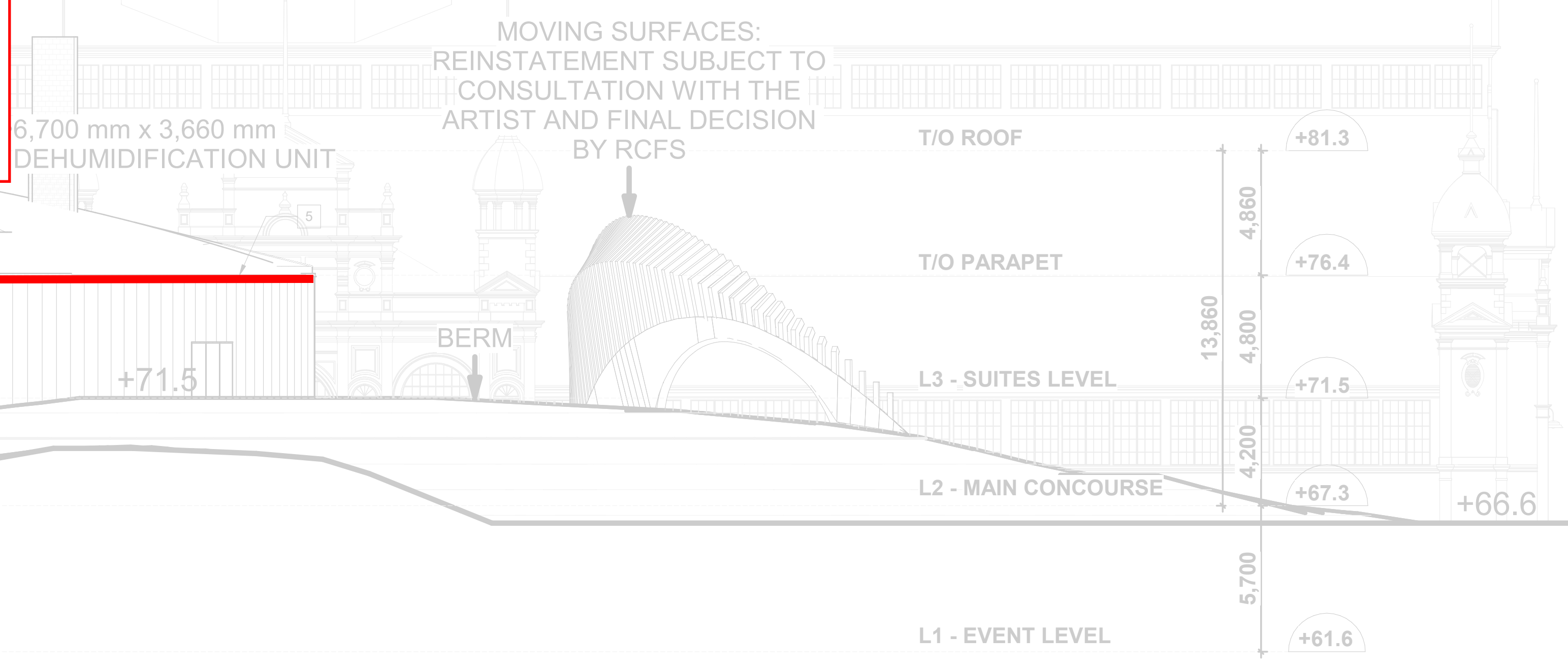
LUMINAIRE TYPE ELT-03

Optically controlled LED luminaires surface mounted to underside of bridge on 10-12' centres, providing general illumination to the pedestrian walkways. Luminaire to be static white.

LUMINAIRE TYPE ELT-02

Optically controlled LED luminaires wall mounted on 10-12' centres, providing general illumination to the pedestrian walkways. Luminaire to be static white.

SOUTH ELEVATION



IN PROGRESS

THESE ARE SCHEMATIC DESIGN DRAWINGS FOR BTY'S CLASS C COST ESTIMATE OF THE EVENT CENTRE ("EC"). TOTAL EC BUILDING AREA HAS RECENTLY BEEN REDUCED TO 160,000SF TO MEET BUDGET. BY EOD, FRIDAY 8-02-24, IT IS ASSUMED THE DISTRIBUTION OF FUNCTIONAL SPACES IS APPROVED AND WILL NOT BE SIGNIFICANTLY ALTERED IN THE FUTURE EXCEPT TO FURTHER REDUCE THE COST TO BUDGET.

DATE: 2024-08-19



**LANSDOWNE EVENT CENTRE
NORTH AND SOUTH ELEVATIONS**

Schematic Design



DATE PLOTTED: 2024-08-22 8:14:31 AM

© Copyright of BBB Architects Toronto Inc. 2024. Not to be reproduced or distributed without written authorization of the copyright owner.