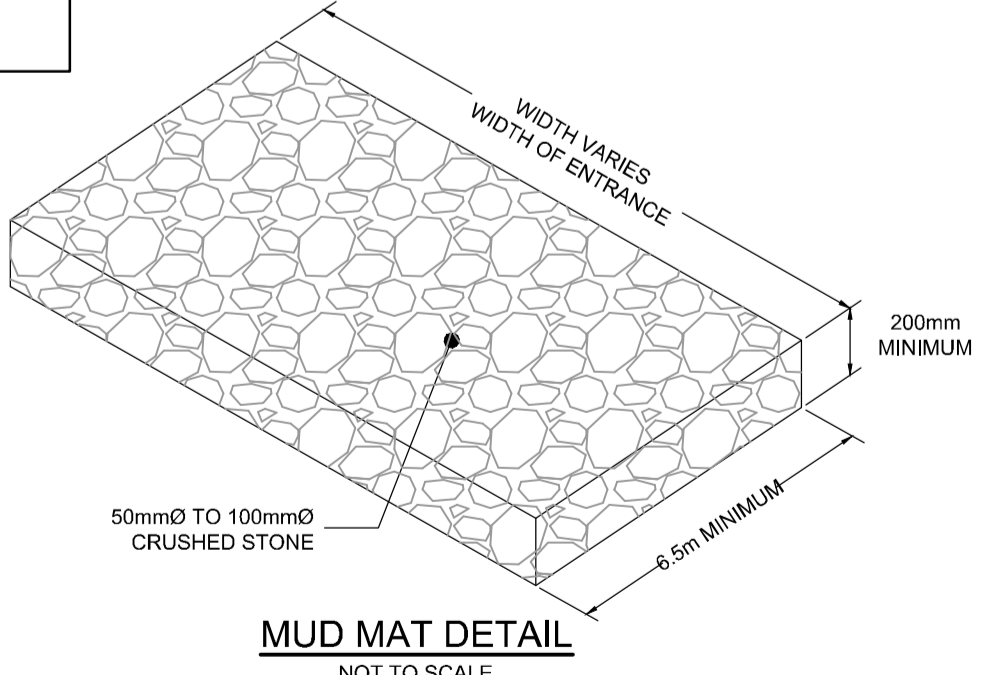
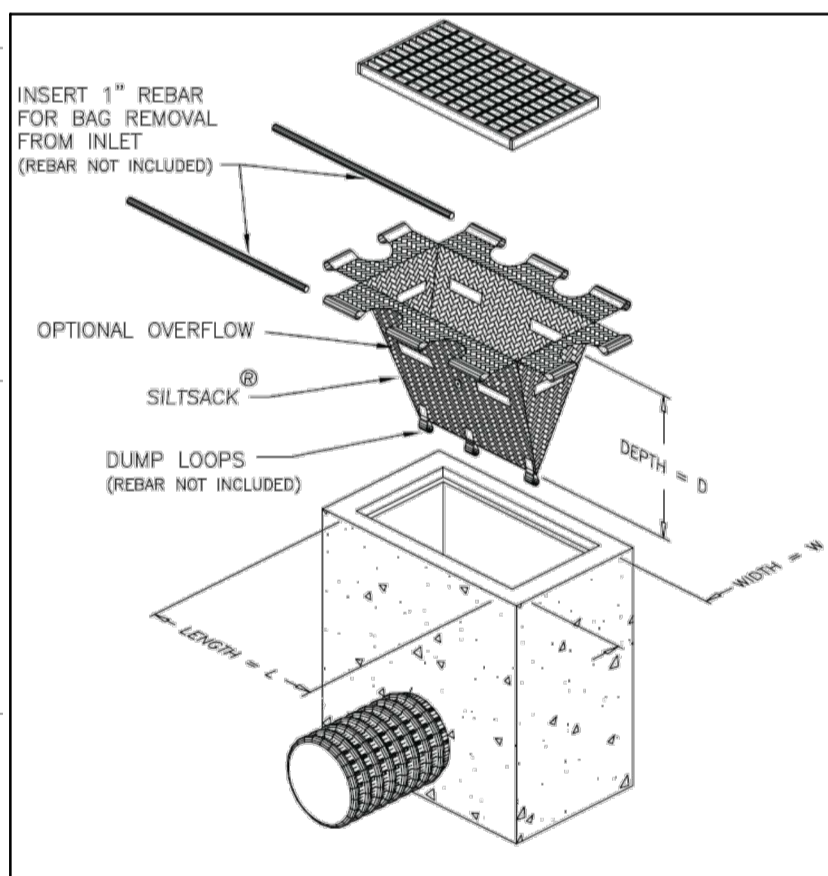


**LEGEND**

---	PROPERTY LINE	---	SWALE c/w SUBDRAIN AND DIRECTION OF FLOW
---	PROPOSED CURB	---	TERRACING 3:1 SLOPE MAX (UNLESS OTHERWISE INDICATED)
DC	PROPOSED DEPRESSED CURB	---	PROPOSED FIREWALL
---	PROPOSED FOUNDATION WALL C/W RAILING	---	PROPOSED ROOF LIMITS
○	PROPOSED CAP	---	PROPOSED TRANSFORMER
---	PROPOSED STORM SEWER AND MANHOLE	---	PROPOSED FILTER BAGS AT CATCHBASINS, CATCHBASIN MANHOLES AND TRENCHDRAINS
○	PROPOSED CATCHBASIN MANHOLE	---	PROPOSED MUD MAT
□	PROPOSED CATCHBASIN	---	LIGHT DUTY SILT FENCE (OPSD 219.110)
○	PROPOSED LANDSCAPE DRAIN	---	EXISTING STORM MANHOLE
○	PROPOSED ROOF DRAINS	---	EXISTING CATCHBASIN
---	PROPOSED TRENCH DRAIN	---	EXISTING LIGHT STANDARD
---	PROPOSED BUILDING ENTRANCE	---	EXISTING FENCE
---	PROPOSED TREE PROTECTION FENCE (REFER TO LANDSCAPE PLANS FOR DETAILS)		

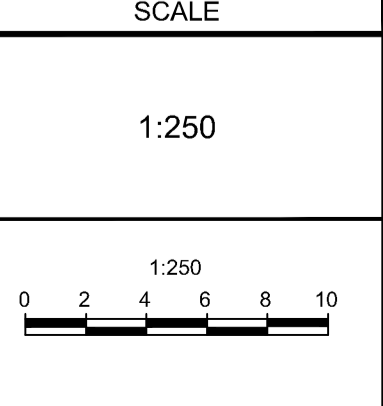
- EROSION AND SEDIMENT CONTROL NOTES:**
- THE CONTRACTOR SHALL IMPLEMENT BEST MANAGEMENT PRACTICES, TO PROVIDE FOR PROTECTION OF THE AREA DRAINAGE SYSTEM AND THE RECEIVING WATERCOURSE, DURING CONSTRUCTION ACTIVITIES. THE CONTRACTOR ACKNOWLEDGES THAT FAILURE TO IMPLEMENT APPROPRIATE EROSION AND SEDIMENT CONTROL MEASURES MAY BE SUBJECT TO PENALTIES IMPOSED BY ANY APPLICABLE REGULATORY AGENCY.
- 1) THE OWNER AGREES TO PREPARE AND IMPLEMENT AN EROSION AND SEDIMENT CONTROL PLAN TO THE SATISFACTION OF THE CITY OF OTTAWA, APPROPRIATE TO THE SITE CONDITIONS, PRIOR TO UNDERTAKING ANY SITE ALTERATIONS (FILLING, GRADING, REMOVAL OF VEGETATION, ETC.) AND DURING ALL PHASES OF SITE PREPARATION AND CONSTRUCTION IN ACCORDANCE WITH THE CURRENT BEST MANAGEMENT PRACTICES FOR EROSION AND SEDIMENT CONTROL SUCH AS BUT NOT LIMITED TO INSTALLING FILTER CLOTHS ACROSS MANHOLE/CATCHBASIN LIDS TO PREVENT SEDIMENTS FROM ENTERING STRUCTURES AND INSTALL AND MAINTAIN A LIGHT DUTY SILT FENCE BARRIER AS REQUIRED.
  - 2) THE CONTRACTOR SHALL PLACE FILTER BAGS UNDER THE CATCHBASIN AND MANHOLE GRATES FOR THE DURATION OF CONSTRUCTION AND WILL REMAIN IN PLACE DURING ALL PHASES OF CONSTRUCTION.
  - 3) SILT FENCING FOR ENTIRE PERIMETER OF SITE, SHALL BE UTILIZED TO CONTROL EROSION FROM THE SITE DURING CONSTRUCTION.
  - 4) THE CONTRACTOR ACKNOWLEDGES THAT FAILURE TO IMPLEMENT EROSION AND SEDIMENT CONTROL MEASURES MAY BE SUBJECT TO PENALTIES IMPOSED BY ANY APPLICABLE REGULATORY AGENCY.
  - 5) PROVIDE MUD MATS AT ALL CONSTRUCTION ACCESS POINTS TO MINIMIZE SEDIMENT TRANSPORT OFFSITE.
  - 6) EROSION AND SEDIMENT CONTROL MEASURES MAY BE MODIFIED IN THE FIELD AT THE DISCRETION OF THE CITY OF OTTAWA SITE INSPECTOR OR CONSERVATION AUTHORITY.



REFER TO-123050 - ND FOR ADDITIONAL NOTES & DETAILS

**NOTE:**  
THE POSITION OF ALL POLE LINES, CONDUITS, WATERMANS, SEWERS AND OTHER UNDERGROUND AND OVERGROUND UTILITIES AND STRUCTURES IS NOT NECESSARILY SHOWN ON THE CONTRACT DRAWINGS, AND WHERE SHOWN, THE ACCURACY OF THE POSITION OF SUCH UTILITIES AND STRUCTURES IS NOT GUARANTEED. BEFORE STARTING WORK, DETERMINE THE EXACT LOCATION OF ALL SUCH UTILITIES AND STRUCTURES AND ASSUME ALL LIABILITY FOR DAMAGE TO THEM.

No.	REVISION	DATE	BY
4.	REVISED PER CITY COMMENTS	AUG 09/24	ARM
3.	REVISED PER UPDATED SITE PLAN	JUNE 10/24	ARM
2.	REVISED PER CITY COMMENTS	APR 23/24	ARM
1.	ISSUED FOR SITE PLAN APPLICATION	JULY 31/23	GJM



DESIGN: ARM  
CHECKED: ARM  
DRAWN: MF  
CHECKED: ARM  
APPROVED: GJM

**A.R. MESTWARP**  
100201604  
August 09, 2024  
PROVINCE OF ONTARIO

**G.J. McDONALD**  
Aug 9, 2024  
PROVINCE OF ONTARIO

**NOVATECH**  
Engineers, Planners & Landscape Architects  
Suite 200, 240 Michael Cowpland Drive  
Ottawa, Ontario, Canada K2M 1P6

Telephone: (613) 254-9643  
Facsimile: (613) 254-5867  
Website: www.novatech-eng.com

LOCATION: CITY OF OTTAWA  
CASSETTE COMMONS - 119 RYAN REYNOLDS WAY

DRAWING NAME: EROSION AND SEDIMENT CONTROL PLAN

PROJECT No.: 123050  
REV: REV # 4  
DRAWING No.: 123050-ESC

M:\2023\123050\CADD\Civil\123050-ESC.dwg; ESC; Aug 06, 2024 - 1:45pm; amusyglu