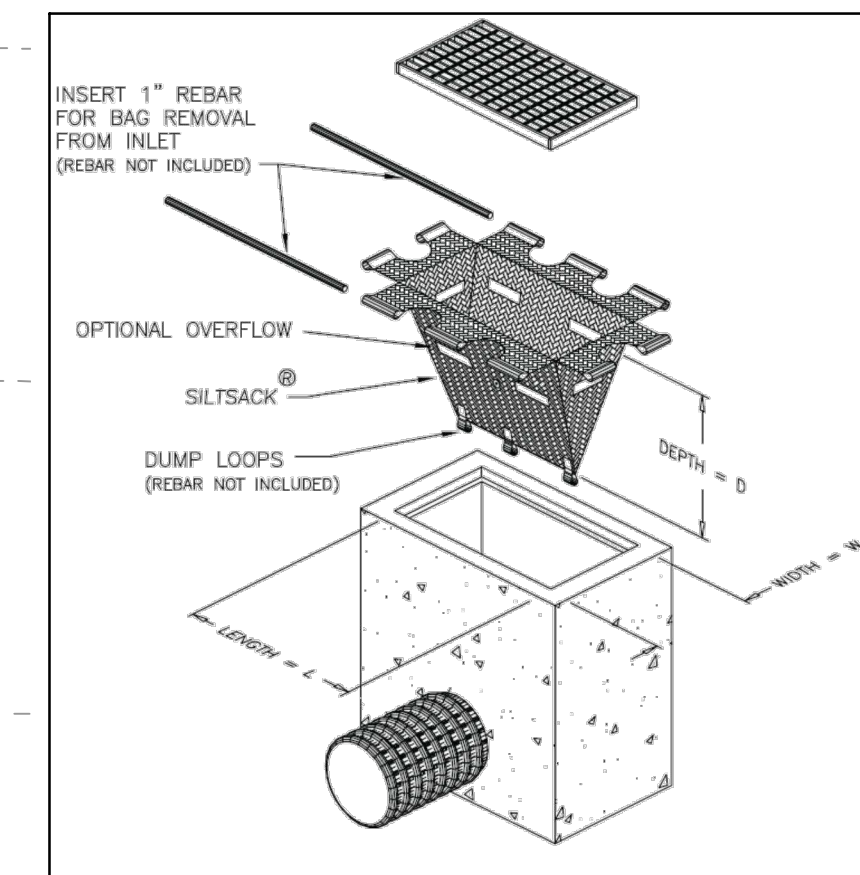


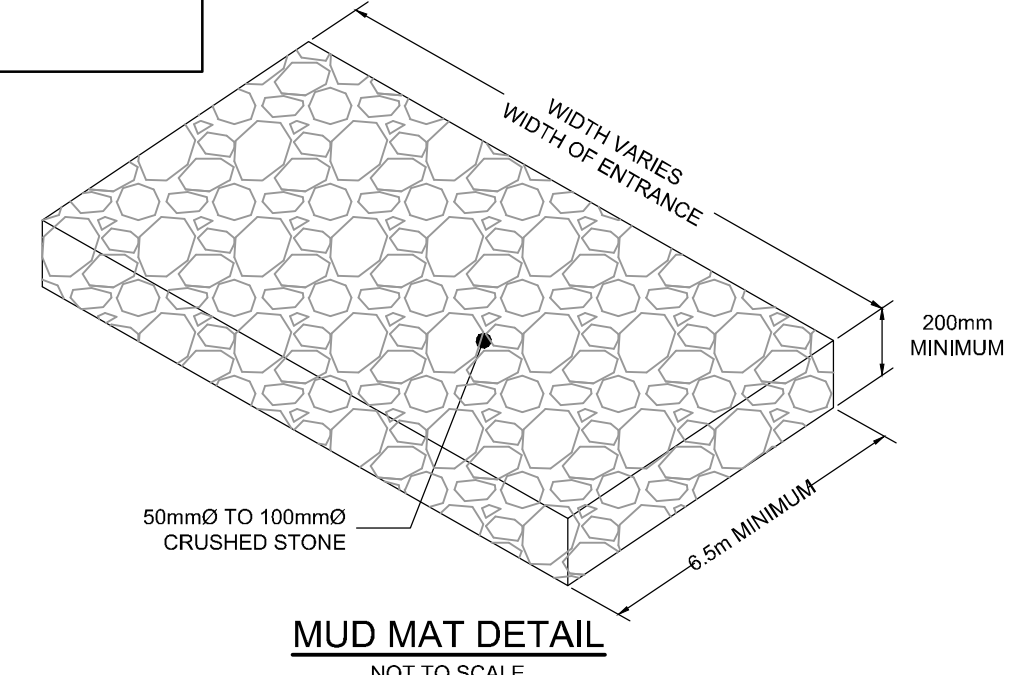
LEGEND

—	PROPERTY LINE	—	SWALE c/w SUBDRAIN AND DIRECTION OF FLOW	
—	PROPOSED CURB	—	TERRACING 3:1 SLOPE MAX (UNLESS OTHERWISE INDICATED)	
DC	PROPOSED DEPRESSED CURB	—	PROPOSED FIREWALL	
—	PROPOSED FOUNDATION WALL C/W RAILING	—	PROPOSED ROOF LIMITS	
○	PROPOSED CAP	—	PROPOSED TRANSFORMER	
—	PROPOSED STORM SEWER AND MANHOLE	—	PROPOSED FILTER BAGS AT CATCHBASIN, CATCHBASIN MANHOLES AND TRENCHDRAINS	
○	PROPOSED CATCHBASIN MANHOLE	—	PROPOSED MUD MAT	
□	PROPOSED CATCHBASIN	—	○	LIGHT DUTY SILT FENCE (OPSD 219.110)
—	PROPOSED LANDSCAPE DRAIN	—	○	EXISTING STORM MANHOLE
—	PROPOSED ROOF DRAINS	—	○	EXISTING CATCHBASIN
—	PROPOSED TRENCH DRAIN	—	○	EXISTING LIGHT STANDARD
—	PROPOSED BUILDING ENTRANCE	—	—	EXISTING FENCE
—	PROPOSED TREE PROTECTION FENCE (REFER TO LANDSCAPE PLANS FOR DETAILS)			
—	PROPOSED PRIVACY FENCE (REFER TO LANDSCAPE PLANS FOR DETAILS)			

- EROSION AND SEDIMENT CONTROL NOTES:**
- THE CONTRACTOR SHALL IMPLEMENT BEST MANAGEMENT PRACTICES, TO PROVIDE FOR PROTECTION OF THE AREA DRAINAGE SYSTEM AND THE RECEIVING WATERCOURSE. DURING CONSTRUCTION ACTIVITIES, THE CONTRACTOR ACKNOWLEDGES THAT FAILURE TO IMPLEMENT APPROPRIATE EROSION AND SEDIMENT CONTROL MEASURES MAY BE SUBJECT TO PENALTIES IMPOSED BY ANY APPLICABLE REGULATORY AGENCY.
- 1) THE OWNER AGREES TO PREPARE AND IMPLEMENT AN EROSION AND SEDIMENT CONTROL PLAN TO THE SATISFACTION OF THE CITY OF OTTAWA, APPROPRIATE TO THE SITE CONDITIONS, PRIOR TO UNDERTAKING ANY SITE ALTERATIONS (FILLING, GRADING, REMOVAL OF VEGETATION, ETC.) AND DURING ALL PHASES OF SITE PREPARATION AND CONSTRUCTION IN ACCORDANCE WITH THE CURRENT BEST MANAGEMENT PRACTICES FOR EROSION AND SEDIMENT CONTROL SUCH AS BUT NOT LIMITED TO INSTALLING FILTER CLOTHS ACROSS MANHOLE/CATCHBASIN LIDS TO PREVENT SEDIMENTS FROM ENTERING STRUCTURES AND INSTALL AND MAINTAIN A LIGHT DUTY SILT FENCE BARRIER AS REQUIRED.
 - 2) THE CONTRACTOR SHALL PLACE FILTER BAGS UNDER THE CATCHBASIN AND MANHOLE GRATES FOR THE DURATION OF CONSTRUCTION AND WILL REMAIN IN PLACE DURING ALL PHASES OF CONSTRUCTION.
 - 3) SILT FENCING FOR ENTIRE PERIMETER OF SITE, SHALL BE UTILIZED TO CONTROL EROSION FROM THE SITE DURING CONSTRUCTION.
 - 4) THE CONTRACTOR ACKNOWLEDGES THAT FAILURE TO IMPLEMENT EROSION AND SEDIMENT CONTROL MEASURES MAY BE SUBJECT TO PENALTIES IMPOSED BY ANY APPLICABLE REGULATORY AGENCY.
 - 5) PROVIDE MUD MATS AT ALL CONSTRUCTION ACCESS POINTS TO MINIMIZE SEDIMENT TRANSPORT OFFSITE.
 - 6) EROSION AND SEDIMENT CONTROL MEASURES MAY BE MODIFIED IN THE FIELD AT THE DISCRETION OF THE CITY OF OTTAWA SITE INSPECTOR OR CONSERVATION AUTHORITY.



FILTER BAG DETAIL
NOT TO SCALE

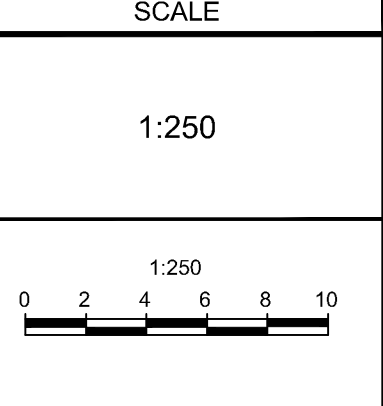


MUD MAT DETAIL
NOT TO SCALE

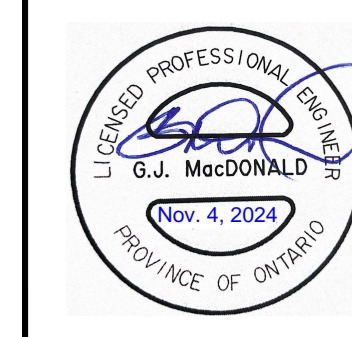
REFER TO-123050 - ND FOR ADDITIONAL NOTES & DETAILS

NOTE:
THE POSITION OF ALL POLE LINES, CONDUITS, WATERMANS, SEWERS AND OTHER UNDERGROUND AND OVERGROUND UTILITIES AND STRUCTURES IS NOT NECESSARILY SHOWN ON THE CONTRACT DRAWINGS, AND WHERE SHOWN, THE ACCURACY OF THE POSITION OF SUCH UTILITIES AND STRUCTURES IS NOT GUARANTEED. BEFORE STARTING WORK, DETERMINE THE EXACT LOCATION OF ALL SUCH UTILITIES AND STRUCTURES AND ASSUME ALL LIABILITY FOR DAMAGE TO THEM.

No.	REVISION	DATE	BY
5.	REVISED PER CITY COMMENTS	NOV 04/2024	ARM
4.	REVISED PER CITY COMMENTS	AUG 09/24	ARM
3.	REVISED PER UPDATED SITE PLAN	JUNE 10/24	ARM
2.	REVISED PER CITY COMMENTS	APR 23/24	ARM
1.	ISSUED FOR SITE PLAN APPLICATION	JULY 31/23	GJM



DESIGN	ARM
CHECKED	ARM
DRAWN	MF
CHECKED	ARM
APPROVED	GJM



NOVATECH
Engineers, Planners & Landscape Architects
Suite 200, 240 Michael Cowpland Drive
Ottawa, Ontario, Canada K2M 1P6
Telephone (613) 254-9643
Facsimile (613) 254-5867
Website www.novatech-eng.com

LOCATION CITY OF OTTAWA CASSETTE COMMONS - 119 RYAN REYNOLDS WAY	
DRAWING NAME EROSION AND SEDIMENT CONTROL PLAN	PROJECT No. 123050
	REV # 5
	DRAWING No. 123050-ESC

M:\2023\123050\CAD\Civil\123050-ESC.dwg, ESC, Aug 07, 2024, 9:56am, amestwarp