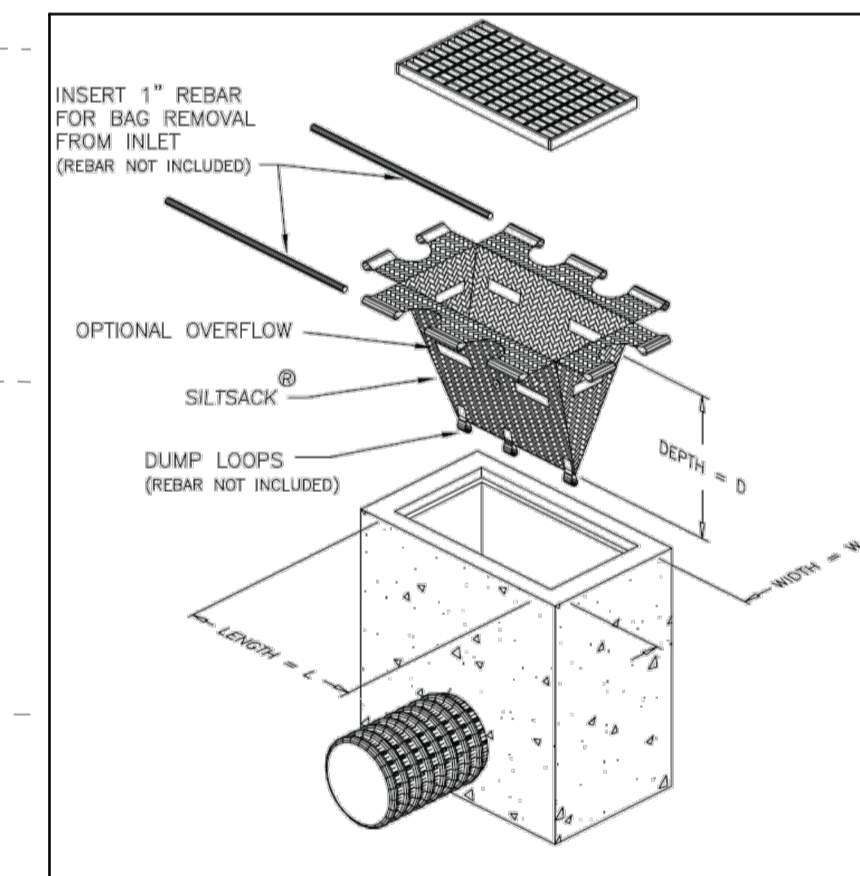
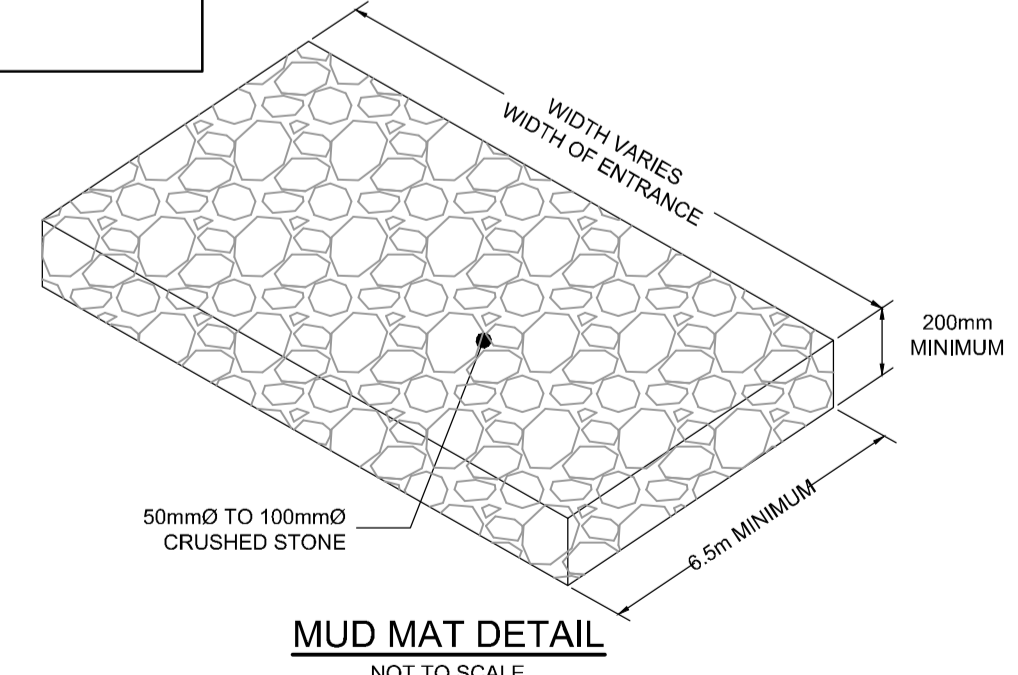


- LEGEND**
- PROPERTY LINE
 - PROPOSED CURB
 - DC PROPOSED DEPRESSED CURB
 - PROPOSED FOUNDATION WALL CW RAILING
 - PROPOSED CAP
 - PROPOSED STORM SEWER AND MANHOLE
 - PROPOSED CATCHBASIN MANHOLE
 - PROPOSED CATCHBASIN
 - PROPOSED LANDSCAPE DRAIN
 - PROPOSED ROOF DRAINS
 - PROPOSED TRENCH DRAIN
 - PROPOSED BUILDING ENTRANCE
 - PROPOSED TREE PROTECTION FENCE (REFER TO LANDSCAPE PLANS FOR DETAILS)
 - PROPOSED PRIVACY FENCE (REFER TO LANDSCAPE PLANS FOR DETAILS)
 - SWALE c/w SUBDRAIN AND DIRECTION OF FLOW
 - TERRACING 3:1 SLOPE MAX (UNLESS OTHERWISE INDICATED)
 - PROPOSED FIREWALL
 - PROPOSED BIKE RACKS (REFER TO ARCHITECTURAL PLANS)
 - PROPOSED PERGOLA STRUCTURE (REFER TO ARCHITECTURAL PLANS)
 - PROPOSED ROOF LIMITS
 - PROPOSED TRANSFORMER (REFER TO ELECTRICAL PLANS)
 - PROPOSED FILTER BAGS AT CATCHBASINS, CATCHBASIN MANHOLES AND TRENCHDRAINS
 - PROPOSED MUD MAT
 - LIGHT DUTY SILT FENCE (OPSD 219.110)
 - EXISTING STORM MANHOLE
 - EXISTING CATCHBASIN
 - EXISTING LIGHT STANDARD
 - EXISTING FENCE

- EROSION AND SEDIMENT CONTROL NOTES:**
- THE CONTRACTOR SHALL IMPLEMENT BEST MANAGEMENT PRACTICES, TO PROVIDE FOR PROTECTION OF THE AREA DRAINAGE SYSTEM AND THE RECEIVING WATERCOURSE. DURING CONSTRUCTION ACTIVITIES, THE CONTRACTOR ACKNOWLEDGES THAT FAILURE TO IMPLEMENT APPROPRIATE EROSION AND SEDIMENT CONTROL MEASURES MAY BE SUBJECT TO PENALTIES IMPOSED BY ANY APPLICABLE REGULATORY AGENCY.
- THE OWNER AGREES TO PREPARE AND IMPLEMENT AN EROSION AND SEDIMENT CONTROL PLAN TO THE SATISFACTION OF THE CITY OF OTTAWA, APPROPRIATE TO THE SITE CONDITIONS, PRIOR TO UNDERTAKING ANY SITE ALTERATIONS (FILLING, GRADING, REMOVAL OF VEGETATION, ETC.) AND DURING ALL PHASES OF SITE PREPARATION AND CONSTRUCTION IN ACCORDANCE WITH THE CURRENT BEST MANAGEMENT PRACTICES FOR EROSION AND SEDIMENT CONTROL SUCH AS BUT NOT LIMITED TO INSTALLING FILTER CLOTHS ACROSS MANHOLE/CATCHBASIN LIDS TO PREVENT SEDIMENTS FROM ENTERING STRUCTURES AND INSTALL AND MAINTAIN A LIGHT DUTY SILT FENCE BARRIER AS REQUIRED.
 - THE CONTRACTOR SHALL PLACE FILTER BAGS UNDER THE CATCHBASIN AND MANHOLE GRATES FOR THE DURATION OF CONSTRUCTION AND WILL REMAIN IN PLACE DURING ALL PHASES OF CONSTRUCTION.
 - SILT FENCING FOR ENTIRE PERIMETER OF SITE, SHALL BE UTILIZED TO CONTROL EROSION FROM THE SITE DURING CONSTRUCTION.
 - THE CONTRACTOR ACKNOWLEDGES THAT FAILURE TO IMPLEMENT EROSION AND SEDIMENT CONTROL MEASURES MAY BE SUBJECT TO PENALTIES IMPOSED BY ANY APPLICABLE REGULATORY AGENCY.
 - PROVIDE MUD MATS AT ALL CONSTRUCTION ACCESS POINTS TO MINIMIZE SEDIMENT TRANSPORT OFFSITE.
 - EROSION AND SEDIMENT CONTROL MEASURES MAY BE MODIFIED IN THE FIELD AT THE DISCRETION OF THE CITY OF OTTAWA SITE INSPECTOR OR CONSERVATION AUTHORITY.



FILTER BAG DETAIL
NOT TO SCALE

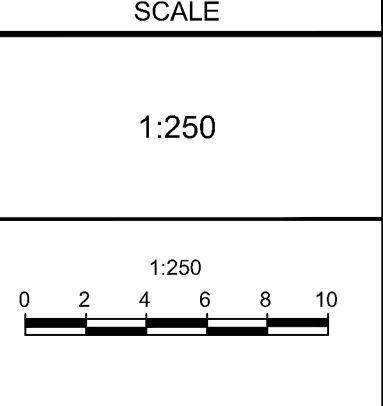


MUD MAT DETAIL
NOT TO SCALE

REFER TO-123050 - ND FOR ADDITIONAL NOTES & DETAILS

NOTE:
THE POSITION OF ALL POLE LINES, CONDUITS, WATERMANS, SEWERS AND OTHER UNDERGROUND AND OVERGROUND UTILITIES AND STRUCTURES IS NOT NECESSARILY SHOWN ON THE CONTRACT DRAWINGS, AND WHERE SHOWN, THE ACCURACY OF THE POSITION OF SUCH UTILITIES AND STRUCTURES IS NOT GUARANTEED. BEFORE STARTING WORK, DETERMINE THE EXACT LOCATION OF ALL SUCH UTILITIES AND STRUCTURES AND ASSUME ALL LIABILITY FOR DAMAGE TO THEM.

No.	REVISION	DATE	BY
6.	REVISED PER CITY COMMENTS	NOV 29/2024	ARM
5.	REVISED PER CITY COMMENTS	NOV 04/2024	ARM
4.	REVISED PER CITY COMMENTS	AUG 09/24	ARM
3.	REVISED PER UPDATED SITE PLAN	JUNE 10/24	ARM
2.	REVISED PER CITY COMMENTS	APR 23/24	ARM
1.	ISSUED FOR SITE PLAN APPLICATION	JULY 31/23	GJM



DESIGN ARM

CHECKED ARM

DRAWN MF

CHECKED ARM

APPROVED GJM

A.R. MESTWARP
100201804
PROVINCE OF ONTARIO

G.J. MacDONALD
Nov 29, 2024
PROVINCE OF ONTARIO

NOVATECH
Engineers, Planners & Landscape Architects
Suite 200, 240 Michael Cowpland Drive
Ottawa, Ontario, Canada K2M 1P6

Telephone (613) 254-9643
Facsimile (613) 254-5867
Website www.novatech-eng.com

LOCATION
CITY OF OTTAWA
CASSETTE COMMONS - 119 RYAN REYNOLDS WAY

DRAWING NAME
EROSION AND SEDIMENT CONTROL PLAN

PROJECT No. 123050

REV. REV # 6

DRAWING No. 123050-ESC